



US00D476418S

(12) **United States Design Patent**
Sprieck et al.

(10) **Patent No.:** **US D476,418 S**

(45) **Date of Patent:** **** Jun. 24, 2003**

(54) **MEDICAL NEEDLE ASSEMBLY**
(75) Inventors: **Terry L. Sprieck**, Columbus, NE (US);
Alfred W. Prais, Hewitt, NJ (US); **Paul G. Alchas**, Wayne, NJ (US)

(73) Assignee: **Becton, Dickinson and Company**,
Franklin Lakes, NJ (US)

(**) Term: **14 Years**

(21) Appl. No.: **29/160,324**

(22) Filed: **May 9, 2002**

(51) **LOC (7) Cl.** **24-02**

(52) **U.S. Cl.** **D24/130**

(58) **Field of Search** D24/130, 112,
D24/113, 114, 146, 144, 147; 604/47, 192,
240, 263, 198, 195, 187, 110, 272, 46,
274, 273, 196, 22; 600/577, 578, 583; 128/919

(56) **References Cited**

U.S. PATENT DOCUMENTS

3,119,391 A	1/1964	Harrison	128/221
3,194,237 A	7/1965	Rubin	128/253
3,512,520 A	5/1970	Cowan	128/2
3,905,371 A	9/1975	Stickl et al.	128/253
3,948,261 A	4/1976	Steiner	128/253

4,838,877 A	6/1989	Massau	604/272
5,205,833 A	* 4/1993	Harsh et al.	604/240
D376,645 S	* 12/1996	Lindgren et al.	D24/112
5,632,728 A	5/1997	Hein	604/46
5,632,732 A	* 5/1997	Szabo et al.	604/263
D426,305 S	6/2000	Hein	D24/147
6,241,710 B1	6/2001	VanTassel et al.	604/272
6,443,929 B1	* 9/2002	Kuracina et al.	604/192

* cited by examiner

Primary Examiner—Ian Simmons

(74) *Attorney, Agent, or Firm*—Webb Ziesenheim Logsdon
Orkin & Hanson, P.C.

(57) **CLAIM**

The ornamental design for a medical needle assembly,
substantially as shown and described.

DESCRIPTION

FIG. 1 is a perspective view of a medical needle assembly
showing our new design, the broken line showing is for
illustrative purposes only and forms no part of the claimed
design;

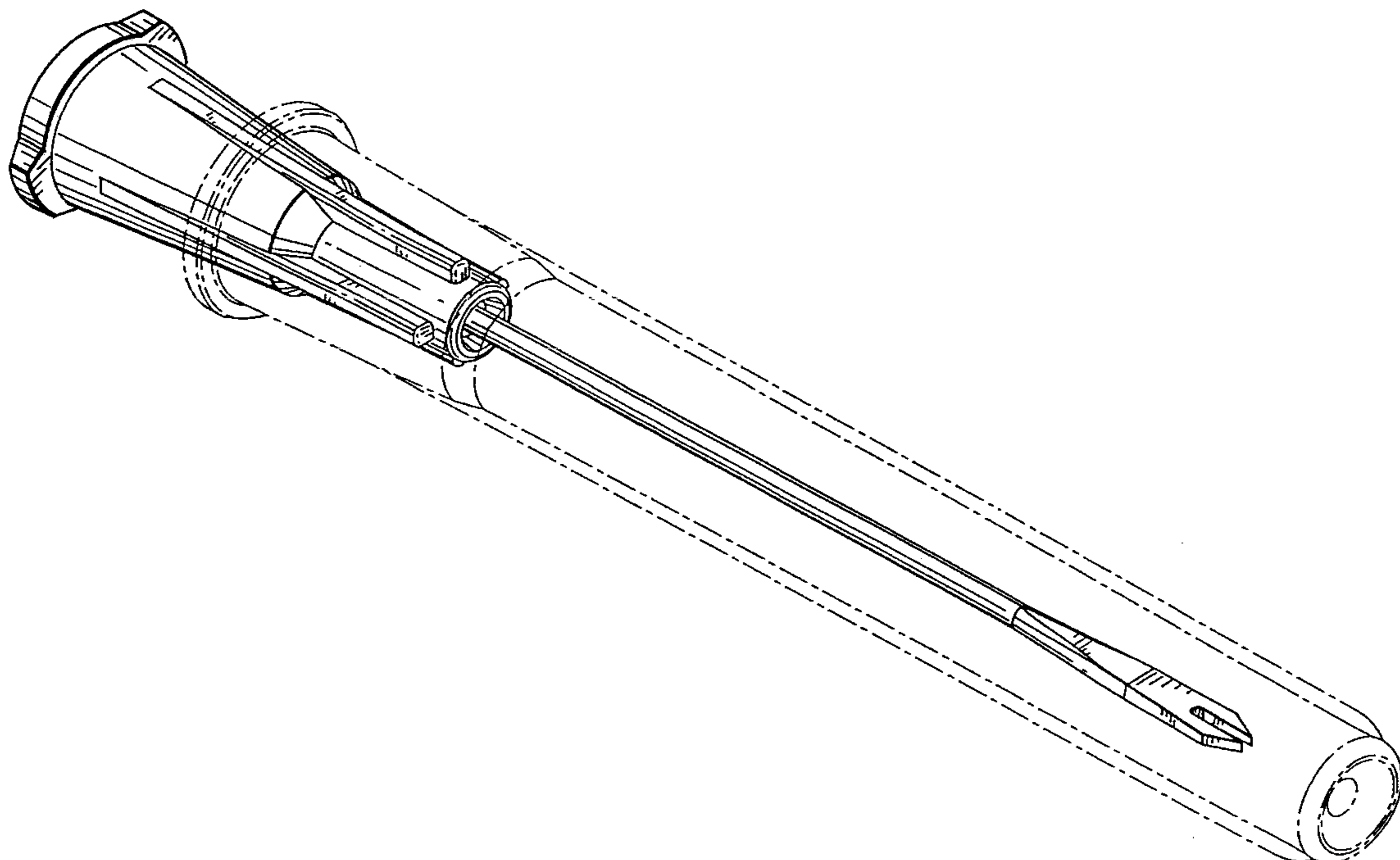
FIG. 2 is a top plan view thereof;

FIG. 3 is a side elevational view thereof;

FIG. 4 is a front elevational view thereof; and,

FIG. 5 is a rear elevational view thereof.

1 Claim, 3 Drawing Sheets



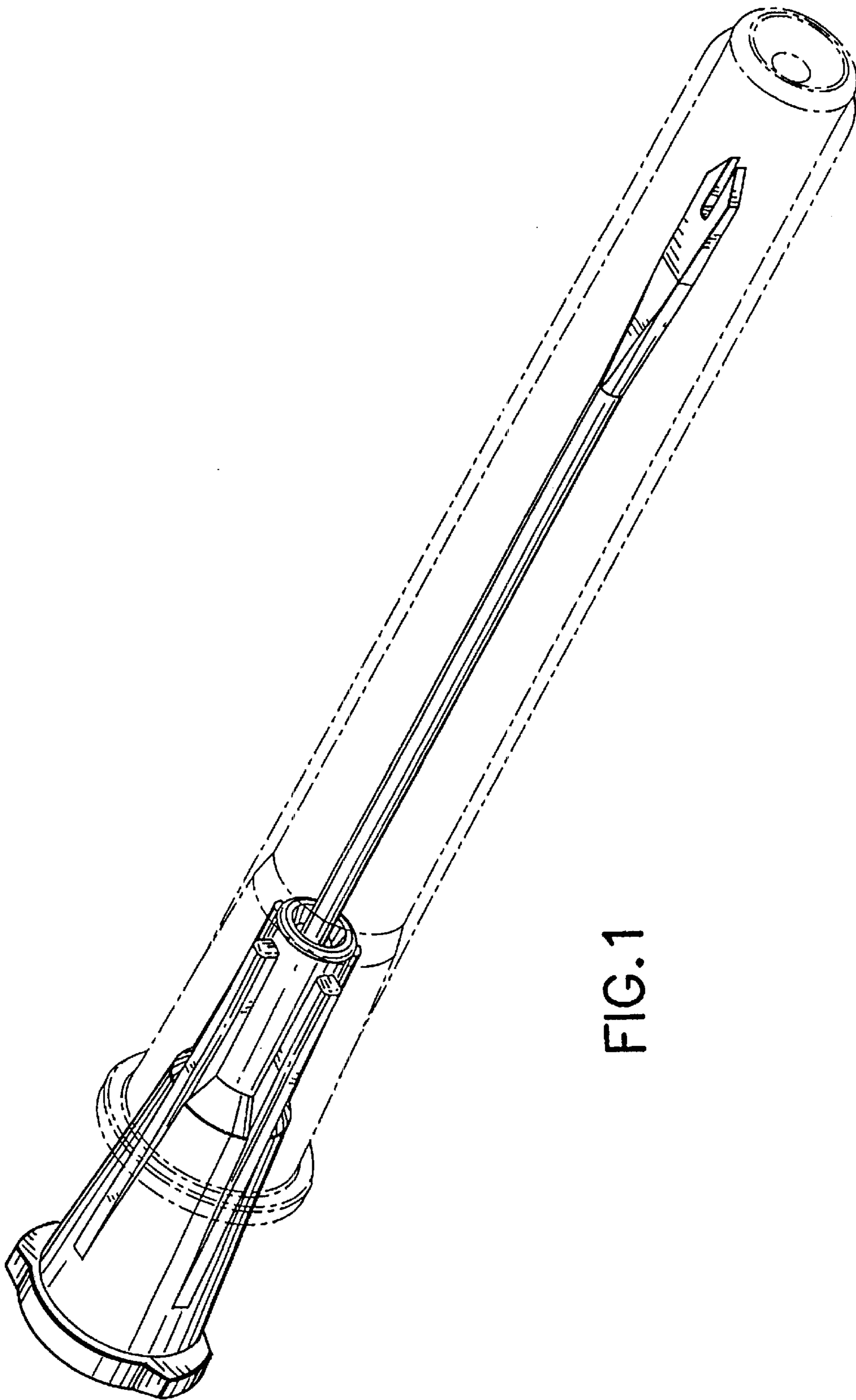


FIG. 1

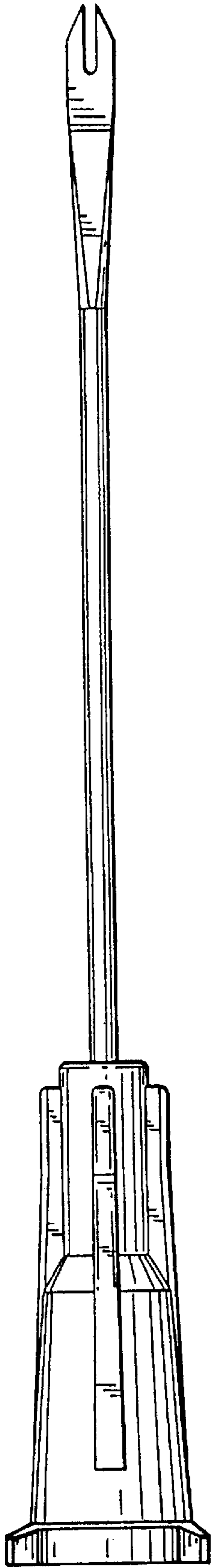


FIG. 2

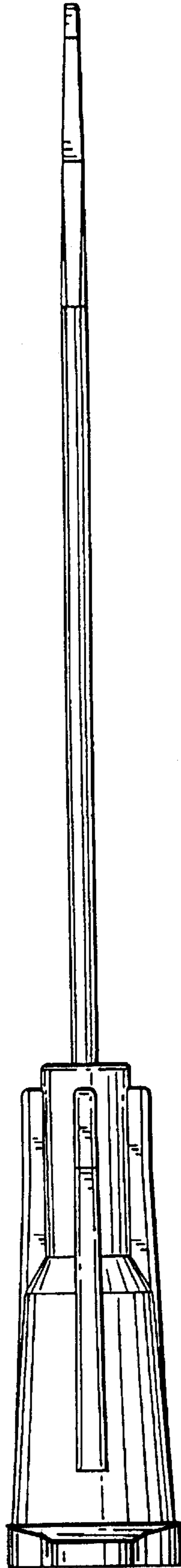


FIG. 3

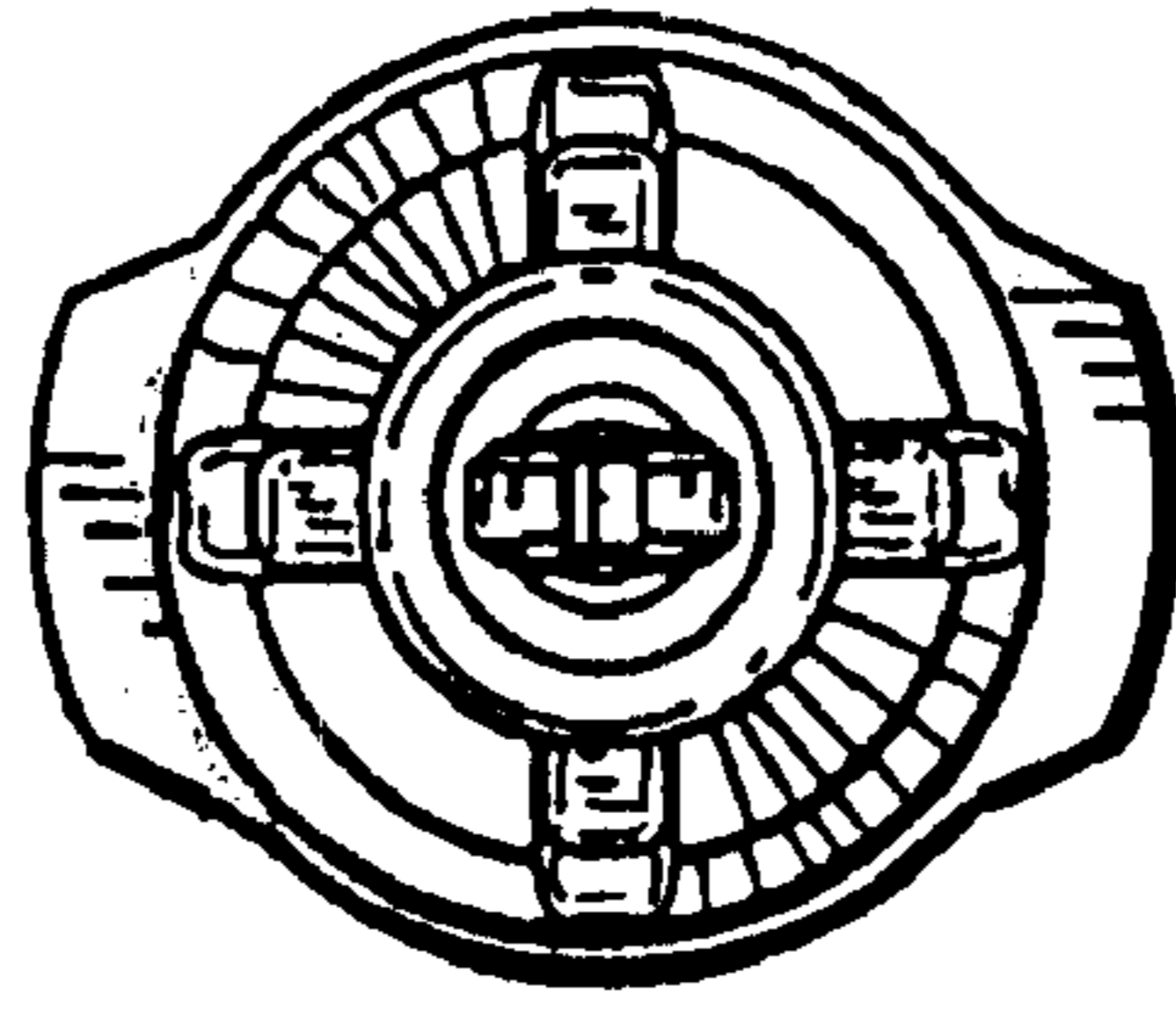


FIG. 4

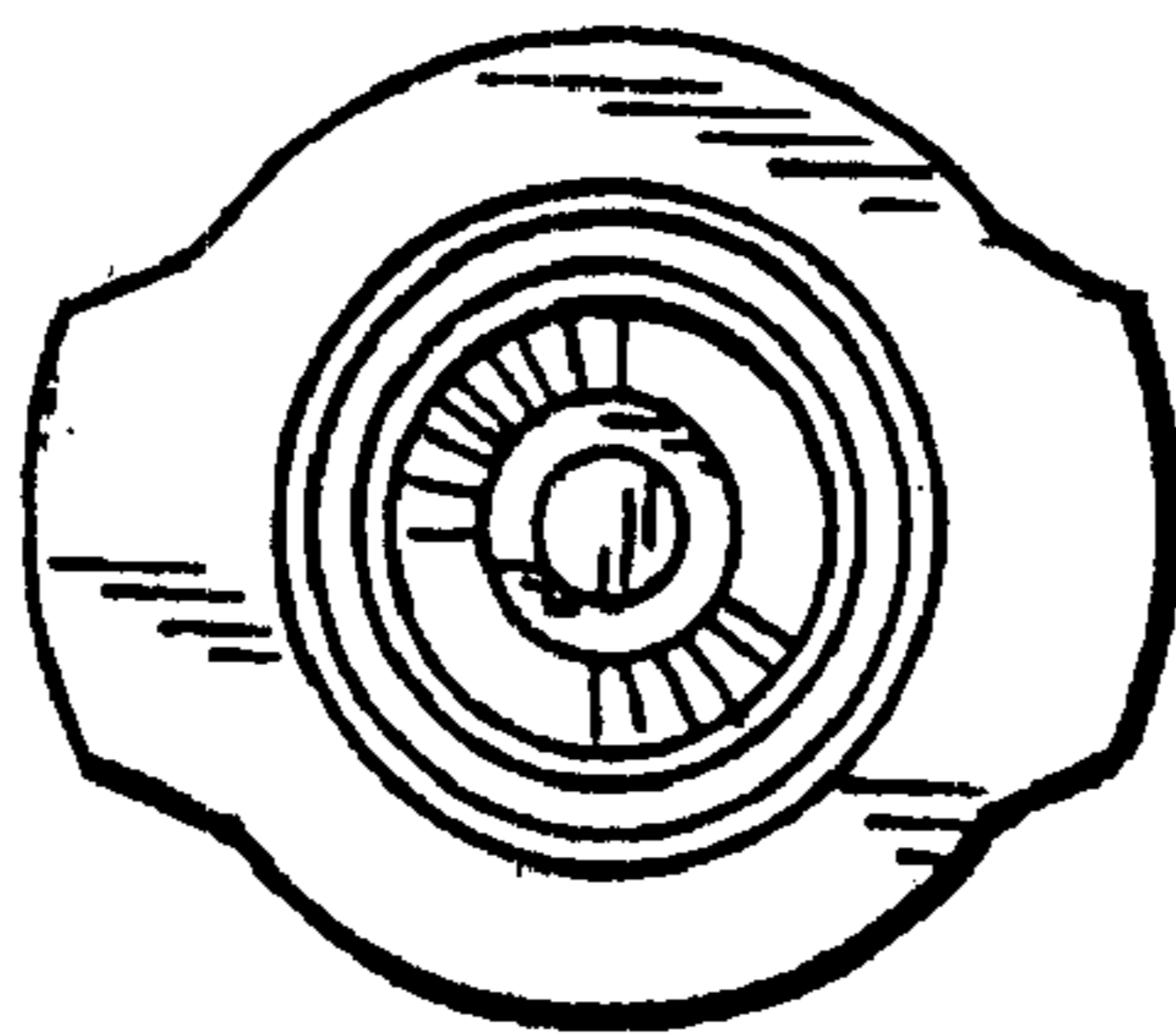


FIG. 5