



US00D476417S

(12) **United States Design Patent**
Swenson et al.

(10) **Patent No.:** **US D476,417 S**

(45) **Date of Patent:** **** Jun. 24, 2003**

- (54) **MEDICAL NEEDLE ASSEMBLY**
- (75) Inventors: **Jon D. Swenson**, Wayne, NJ (US);
Richard James Caizza, Vernon, NJ (US)
- (73) Assignee: **Becton, Dickinson and Company**,
Franklin Lakes, NJ (US)
- (**) Term: **14 Years**
- (21) Appl. No.: **29/160,323**
- (22) Filed: **May 9, 2002**
- (51) **LOC (7) Cl.** **24-02**
- (52) **U.S. Cl.** **D24/130**
- (58) **Field of Search** D24/130, 112,
D24/113, 114, 146, 144, 147; 604/192,
240, 263, 198, 195, 187, 110, 272, 46;
600/577, 576, 583; 128/919
- (56) **References Cited**

U.S. PATENT DOCUMENTS

| | | | |
|---------------|--------|---------------|---------|
| 3,119,391 A | 1/1964 | Harrison | 128/221 |
| 3,194,237 A | 7/1965 | Rubin | 128/253 |
| 3,512,520 A | 5/1970 | Cowan | 128/2 |
| 3,905,371 A | 9/1975 | Stickl et al. | 128/253 |
| 3,948,261 A | 4/1976 | Steiner | 128/253 |
| 4,834,715 A * | 5/1989 | Hanifl | 604/192 |

| | | | |
|----------------|---------|------------------|---------|
| 4,838,877 A | 6/1989 | Massau | 604/272 |
| 4,840,185 A * | 6/1989 | Hernandez | 600/576 |
| 5,154,285 A * | 10/1992 | Hollister | 604/192 |
| 5,520,193 A * | 5/1996 | Suzuki et al. | 600/577 |
| 5,632,728 A | 5/1997 | Hein | 604/46 |
| D426,305 S | 6/2000 | Hein | D24/147 |
| 6,241,710 B1 | 6/2001 | VanTassel et al. | 604/272 |
| 6,440,104 B1 * | 8/2002 | Newby et al. | 604/192 |

* cited by examiner

Primary Examiner—Ian Simmons

(74) *Attorney, Agent, or Firm*—Webb Ziesenheim Logsdon Orkin & Hanson, P.C.

(57) **CLAIM**

The ornamental design for a medical needle assembly, substantially as shown and described.

DESCRIPTION

FIG. 1 is a perspective view of a medical needle assembly showing our new design, the broken line showing is for illustrative purposes only and forms no part of the claimed design;

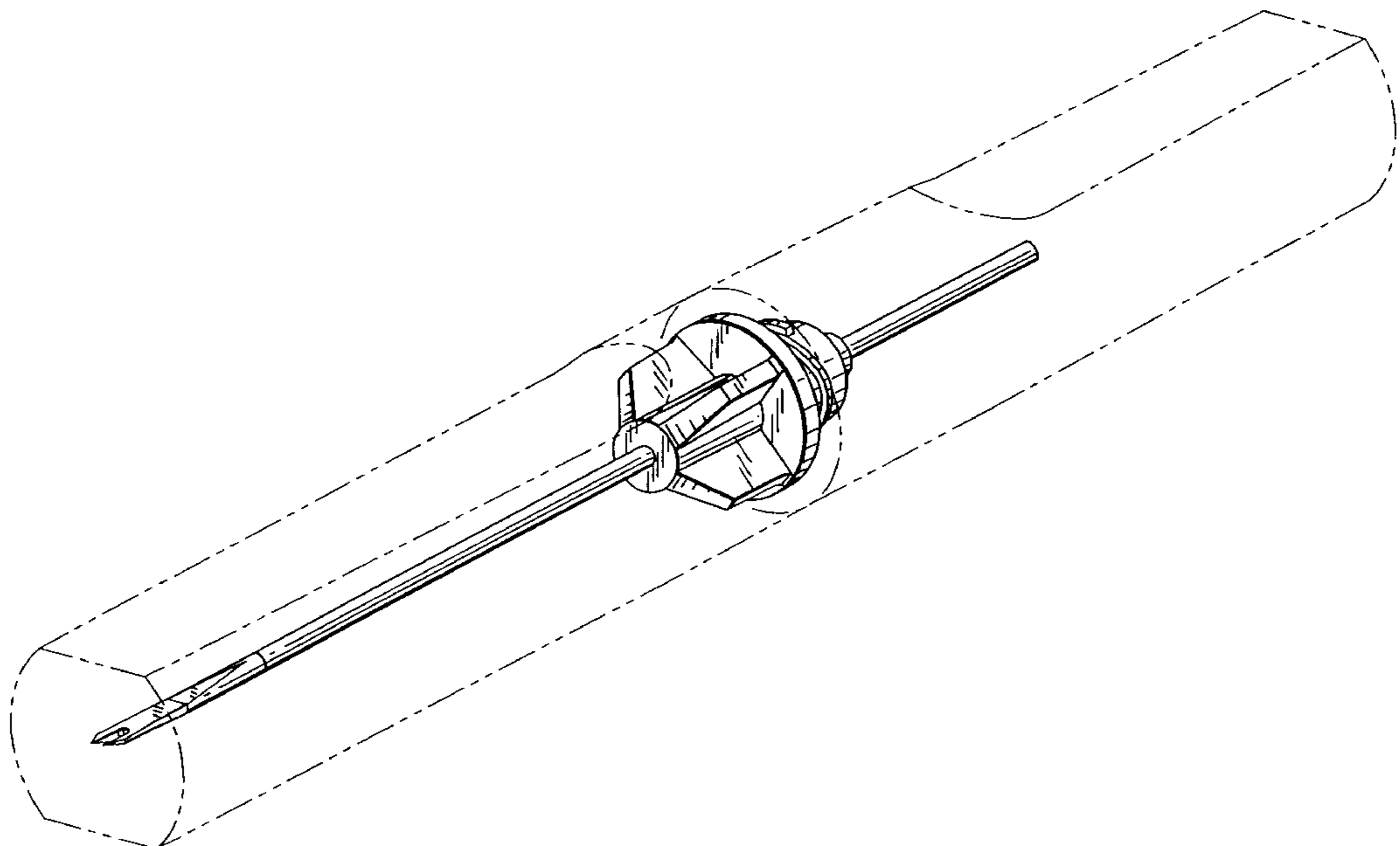
FIG. 2 is a top plan view thereof;

FIG. 3 is a side elevational view thereof;

FIG. 4 is a rear elevational view thereof; and,

FIG. 5 is a front elevational view thereof.

1 Claim, 3 Drawing Sheets



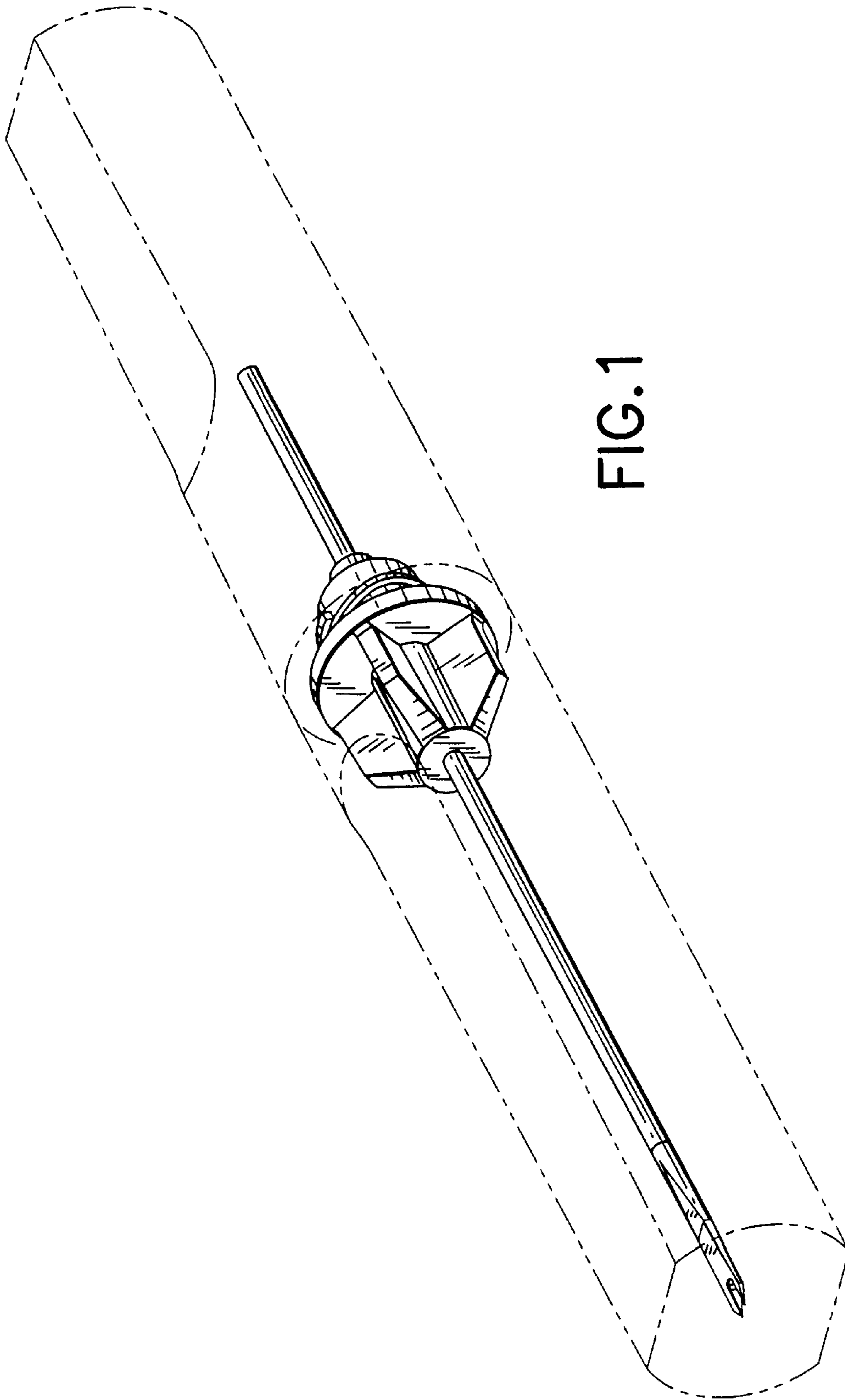


FIG. 1

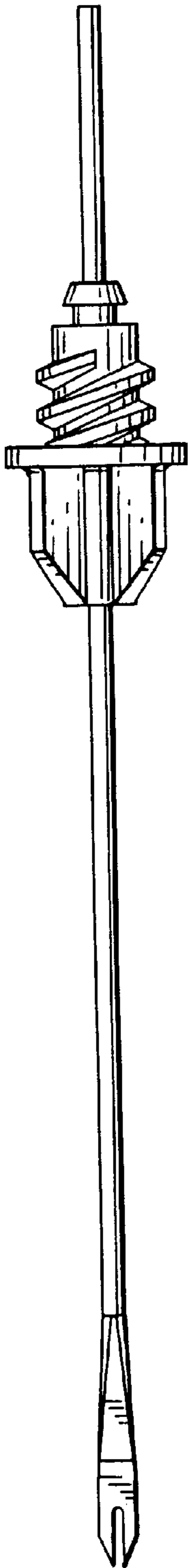


FIG. 2

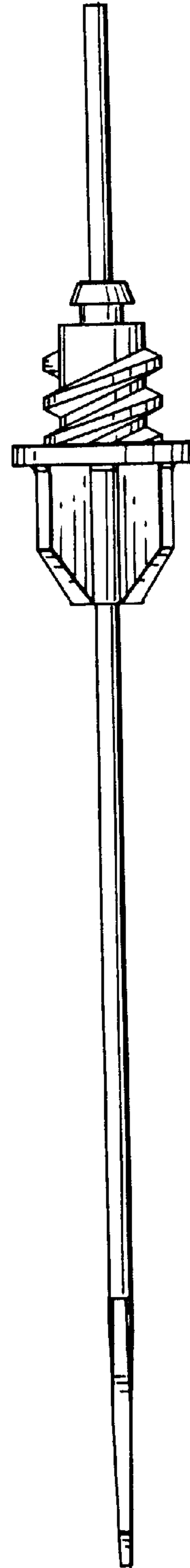


FIG. 3

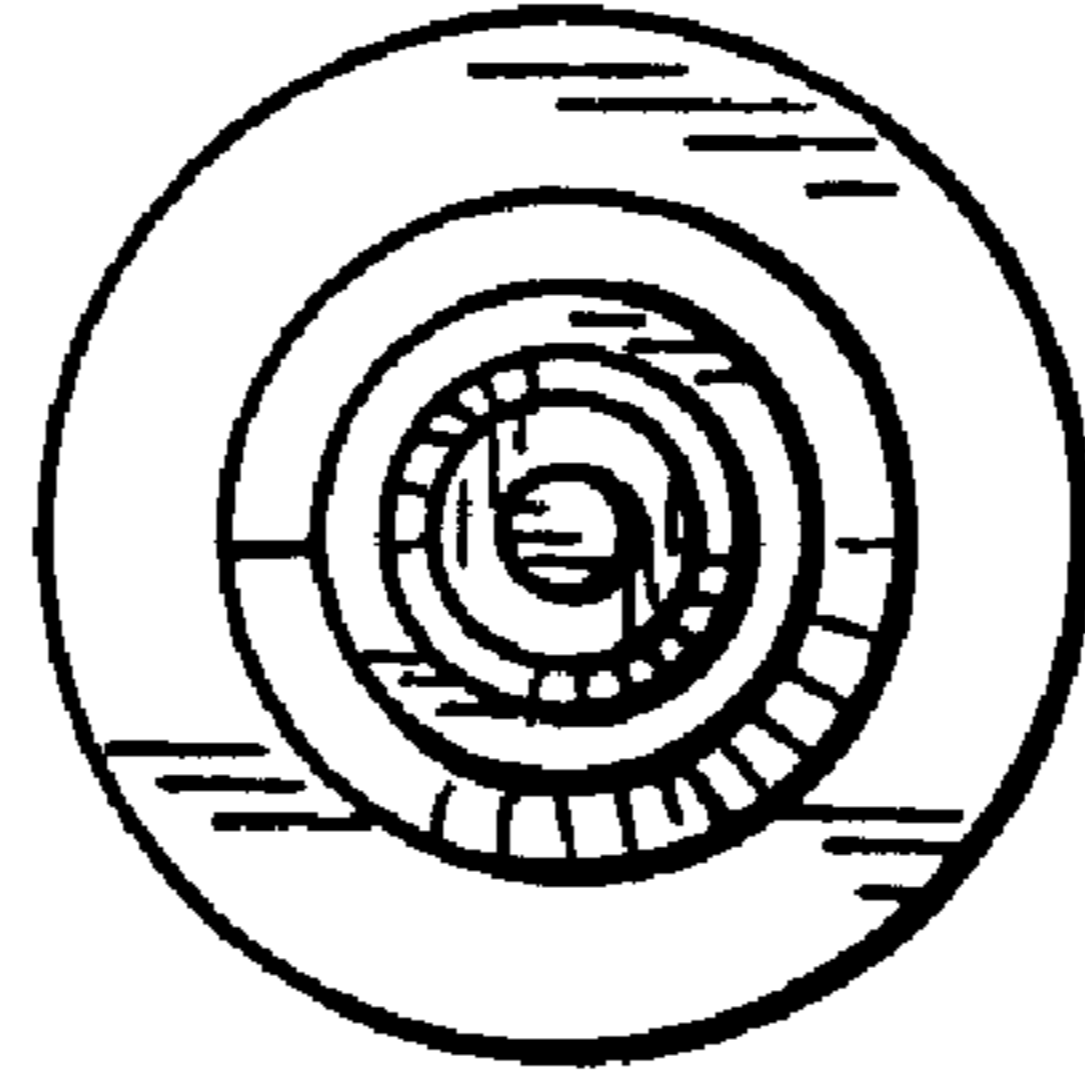


FIG. 4

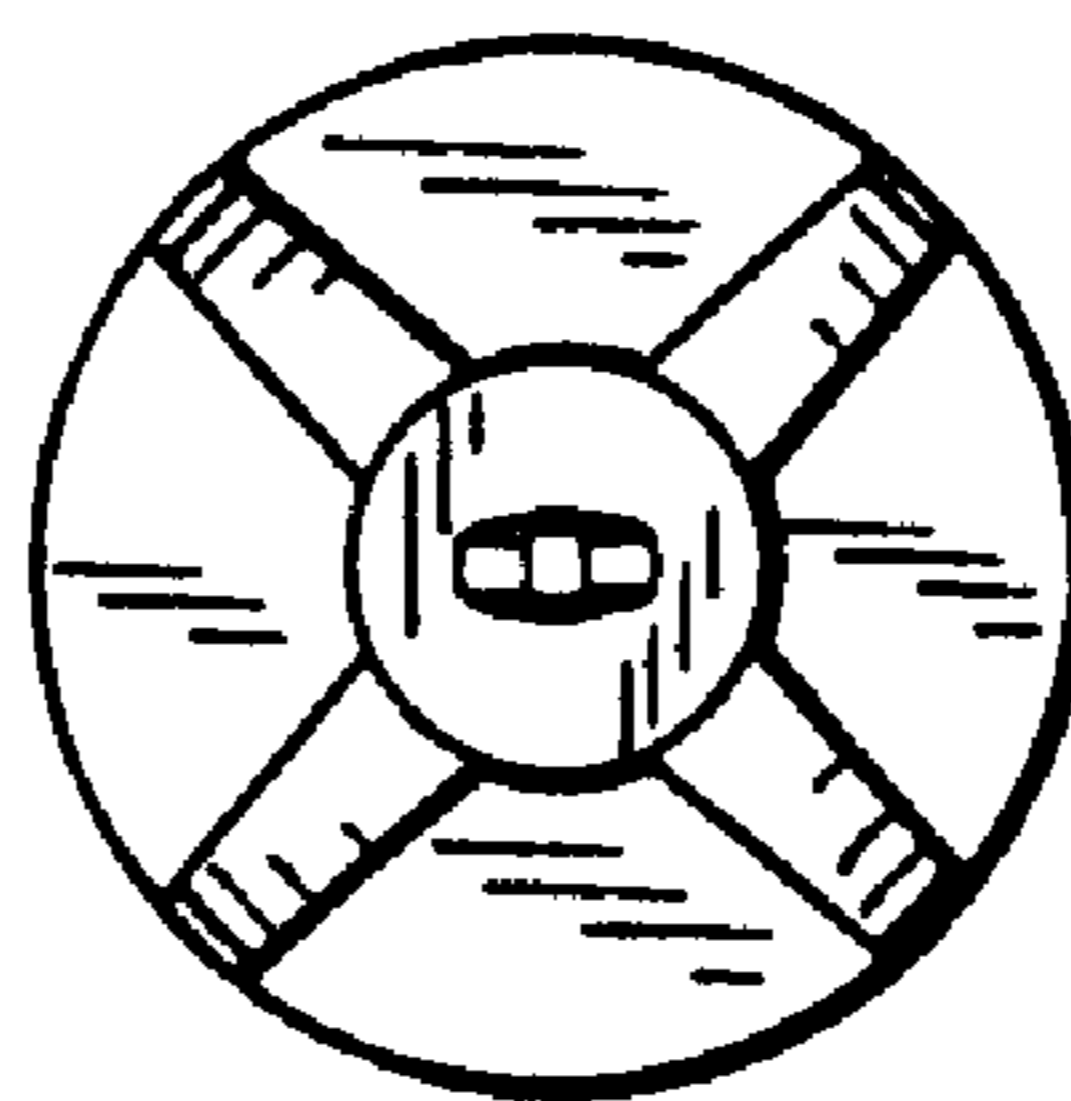


FIG. 5