



US00D476414S

(12) **United States Design Patent**
Buck et al.

(10) **Patent No.:** **US D476,414 S**
(45) **Date of Patent:** **** Jun. 24, 2003**

(54) **PUMP CASSETTE**

(75) Inventors: **Bradford L. Buck**, Gahanna, OH (US);
James L. Tiefenthal, Dublin, OH (US);
Edgar Manosalva, Columbus, OH
(US); **Donna Taylor**, Columbus, OH
(US); **William Patton**, Dublin, OH
(US); **Steve Nelson**, Grove City, OH
(US); **Roger Smith**, Grove City, OH
(US)

(73) Assignee: **Abbott Laboratories**, Abbott Park, IL
(US)

(**) Term: **14 Years**

(21) Appl. No.: **29/166,389**

(22) Filed: **Aug. 27, 2002**

(51) **LOC (7) Cl.** **24-02**

(52) **U.S. Cl.** **D24/111**

(58) **Field of Search** D24/111; 604/153,
604/30, 34, 151, 250, 65, 67, 247; 128/DIG. 12;
417/477, 422, 476

(56) **References Cited**

U.S. PATENT DOCUMENTS

D270,089 S	8/1983	Veelka	D24/111
D290,656 S	6/1987	Kaleskas	D24/111
4,713,051 A	12/1987	Steppe et al.	604/34
4,798,580 A	1/1989	DeMeo et al.	604/153
4,821,558 A	4/1989	Pastrone et al.	73/19
4,842,584 A	6/1989	Pastrone	604/50
D305,150 S	12/1989	Pastrone	D24/111

4,927,411 A	5/1990	Pastrone et al.	604/153
D331,799 S	12/1992	Kramer et al.	D24/111
5,190,527 A *	3/1993	Hamilton et al.	417/479
D336,956 S	6/1993	Jen	D24/111
D342,312 S	12/1993	Pastrone et al.	D24/111
D357,312 S *	4/1995	Riquier et al.	D24/111
5,772,637 A *	6/1998	Heinzmann et al.	128/DIG. 12
6,117,115 A *	9/2000	Hill et al.	604/65

* cited by examiner

Primary Examiner—Ian Simmons

(74) *Attorney, Agent, or Firm*—Michael R. Crabb

(57) **CLAIM**

The ornamental design for a pump cassette, as shown and described.

DESCRIPTION

FIG. 1 is a top, front perspective view of a pump cassette, showing our new design;

FIG. 2 is a bottom, rear perspective view of the pump cassette of FIG. 1;

FIG. 3 is a top plan view of the pump cassette of FIG. 1;

FIG. 4 is a front elevational view of the pump cassette of FIG. 1;

FIG. 5 is a left end elevational view of the pump cassette of FIG. 1;

FIG. 6 is a rear elevational view of the pump cassette of FIG. 1;

FIG. 7 is a right end elevational view of the pump cassette of FIG. 1; and,

FIG. 8 is a bottom plan view of the pump cassette of FIG. 1.

1 Claim, 4 Drawing Sheets

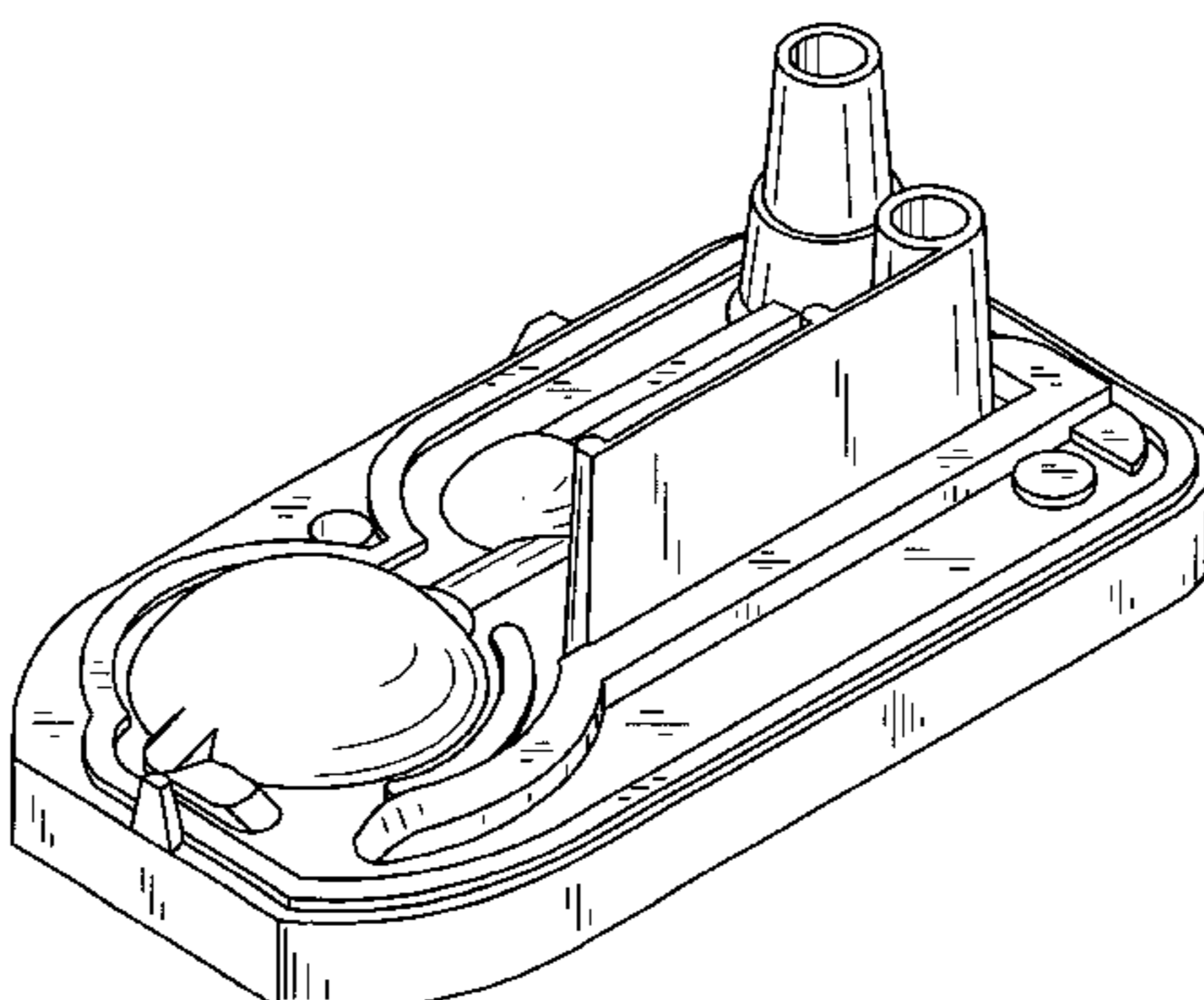
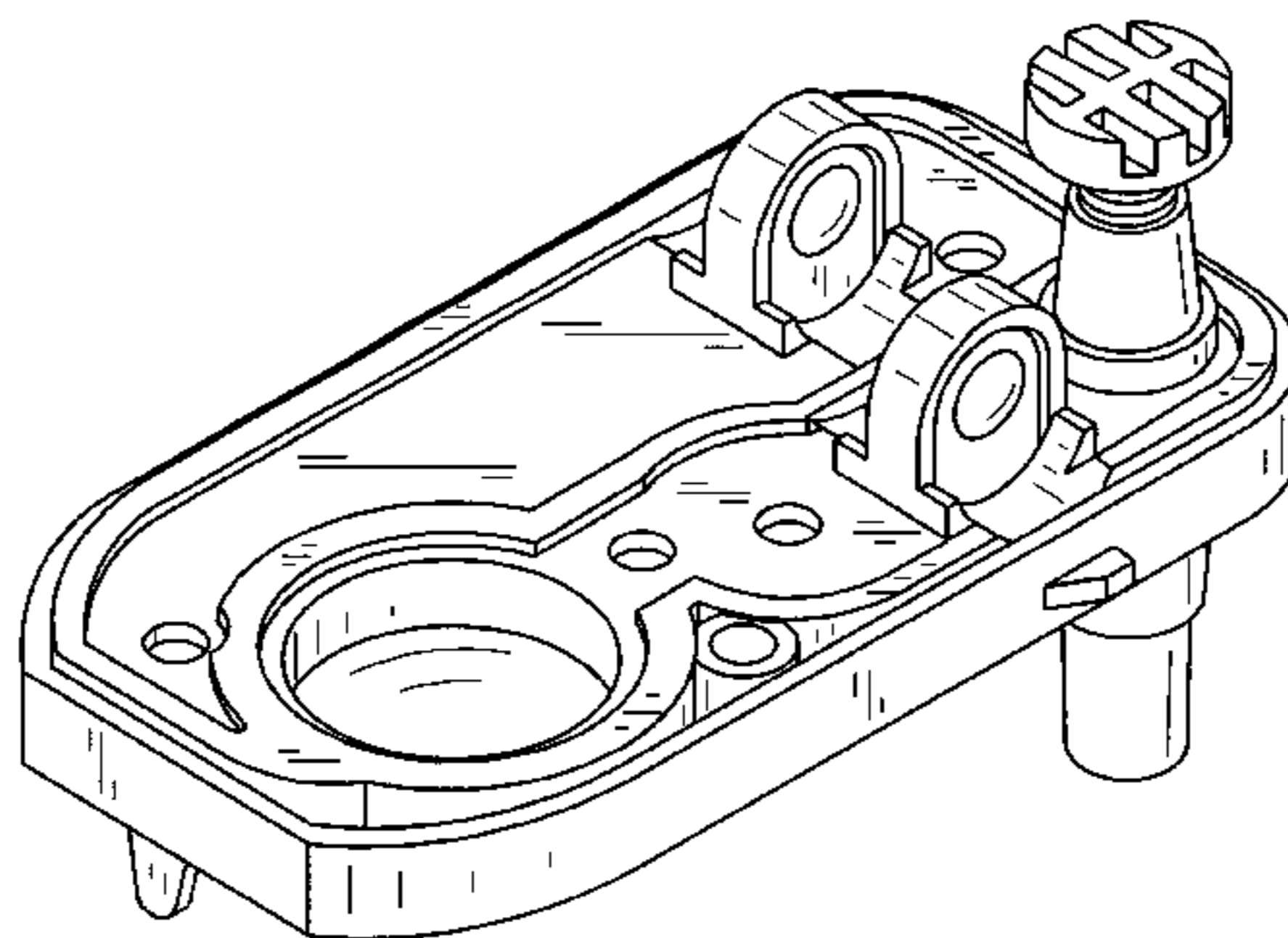


FIG. 1

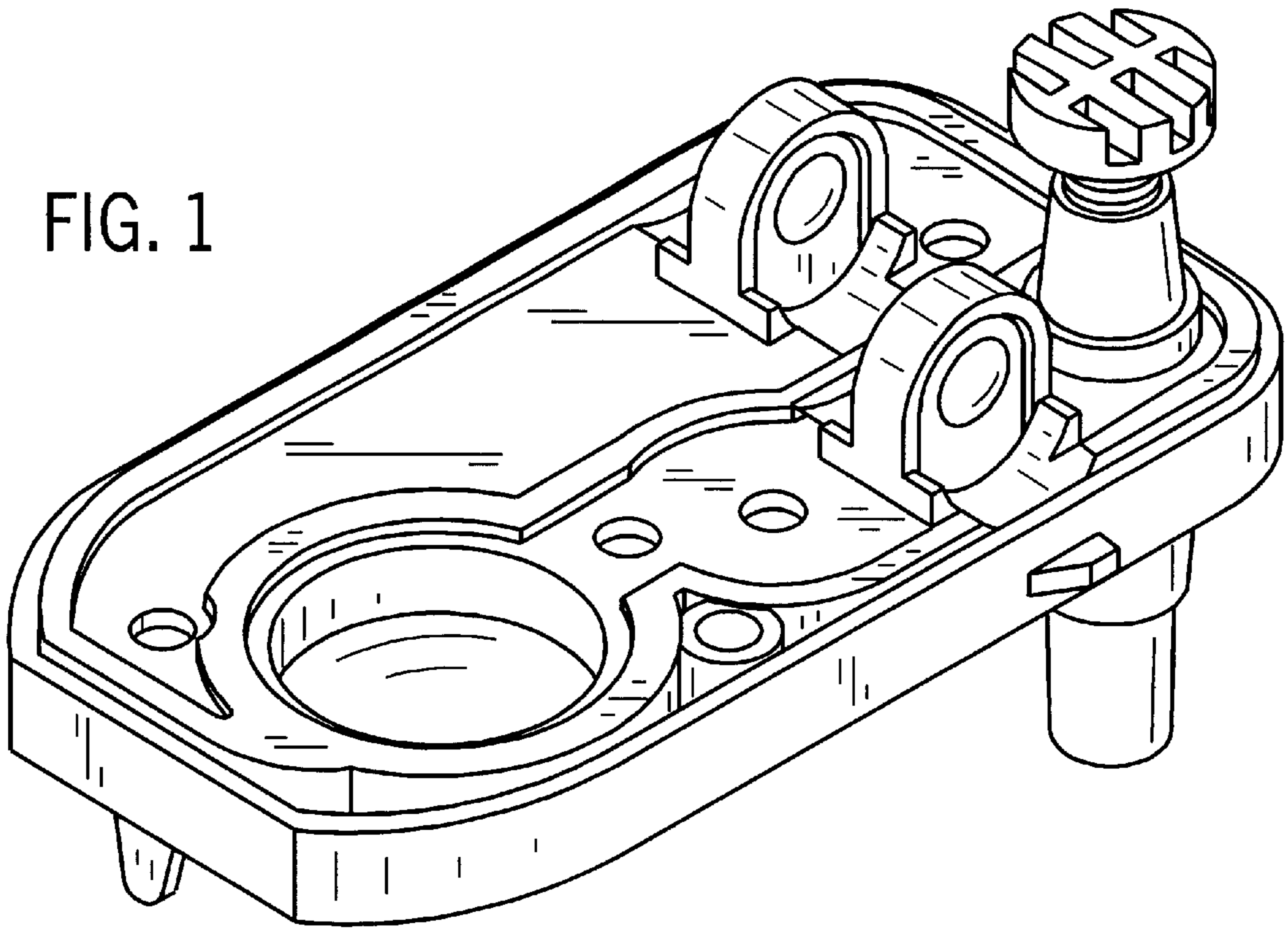
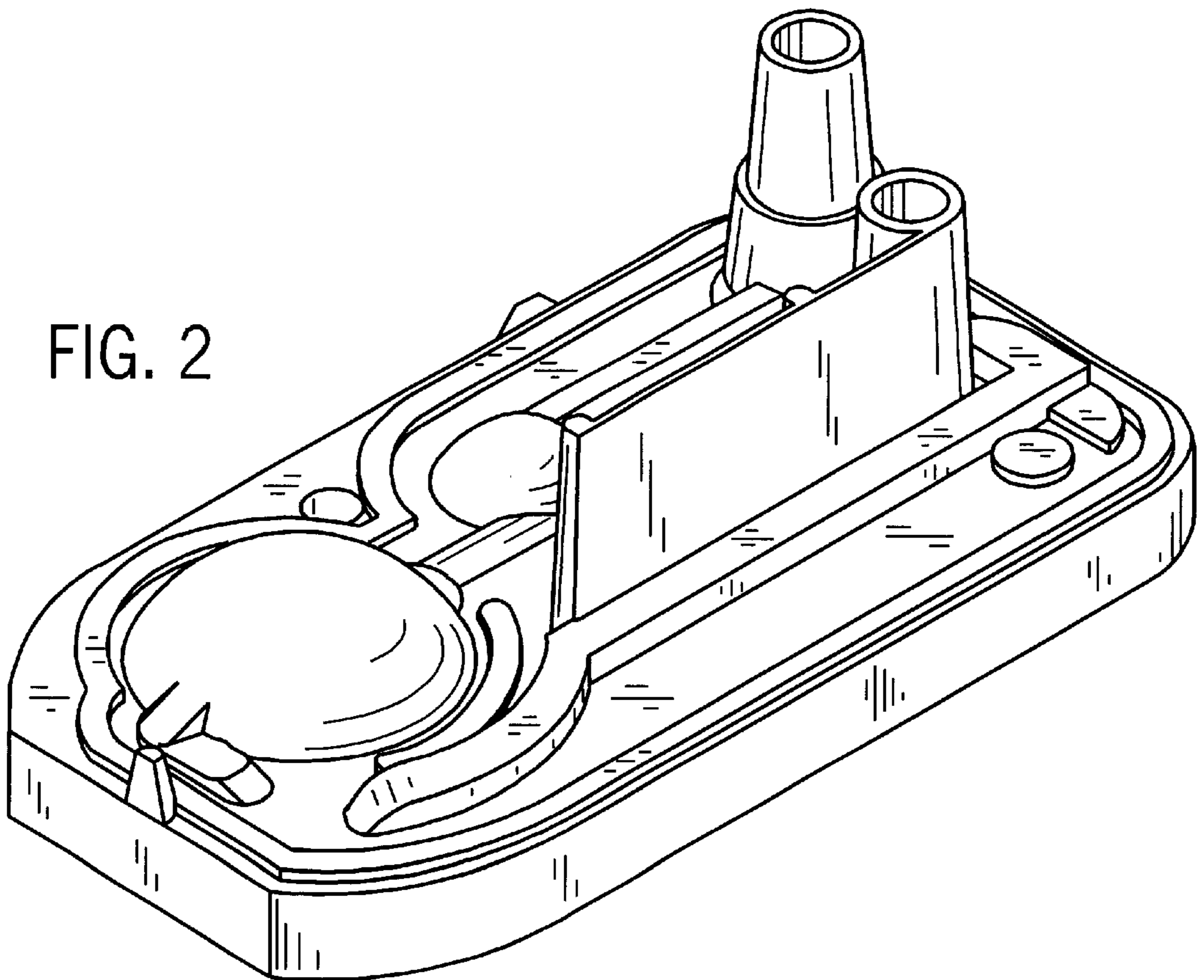


FIG. 2



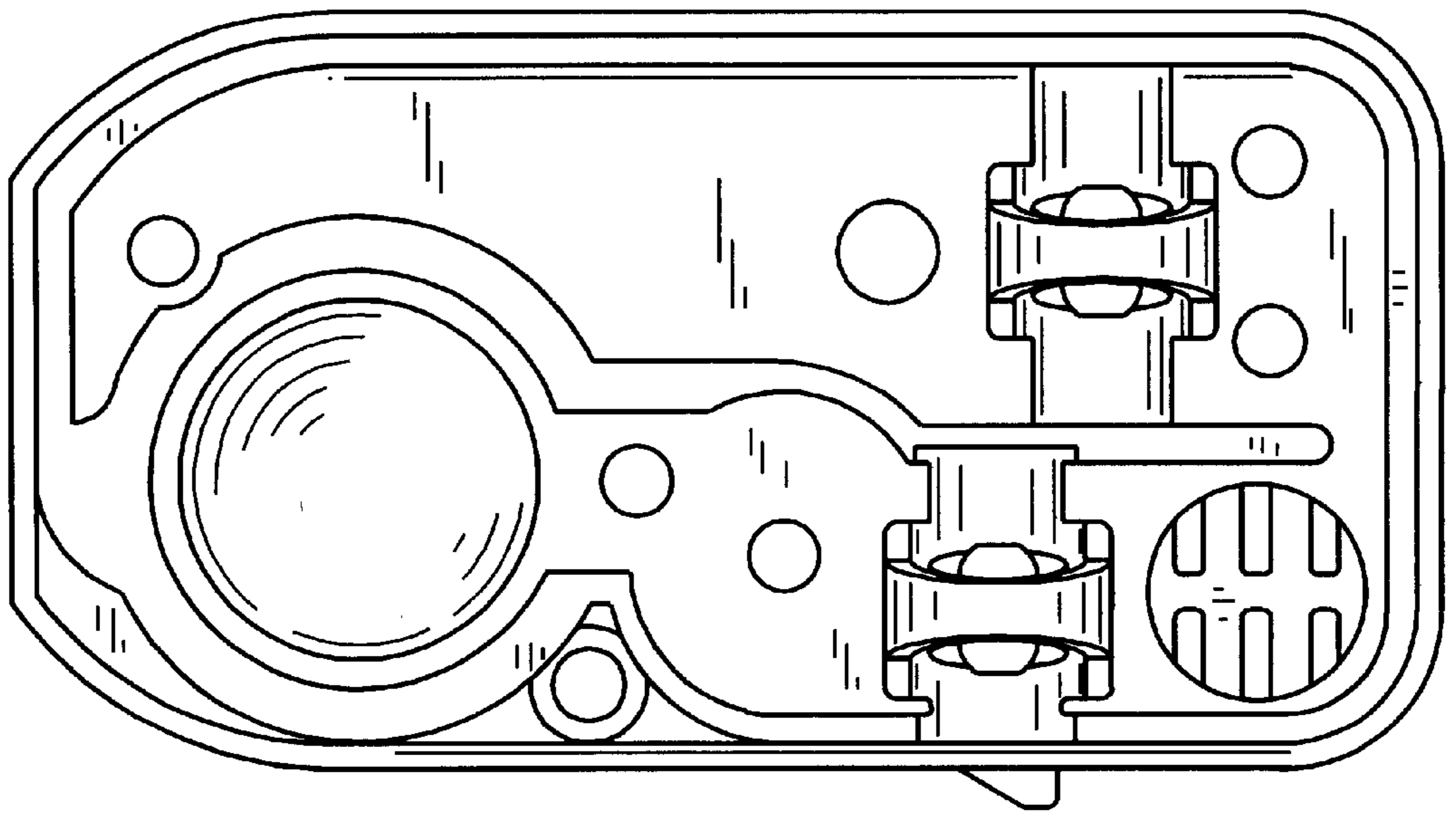


FIG. 3

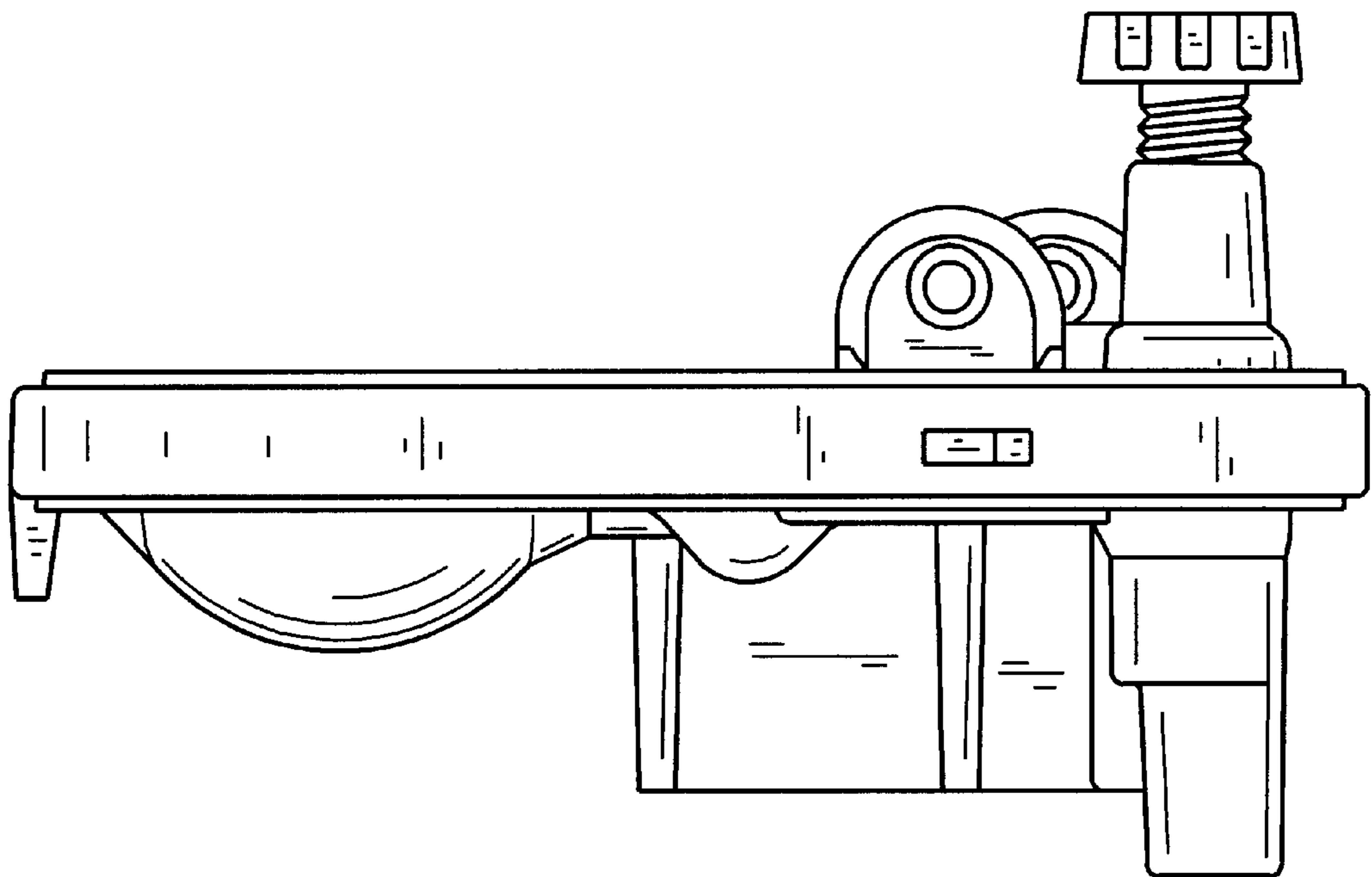


FIG. 4

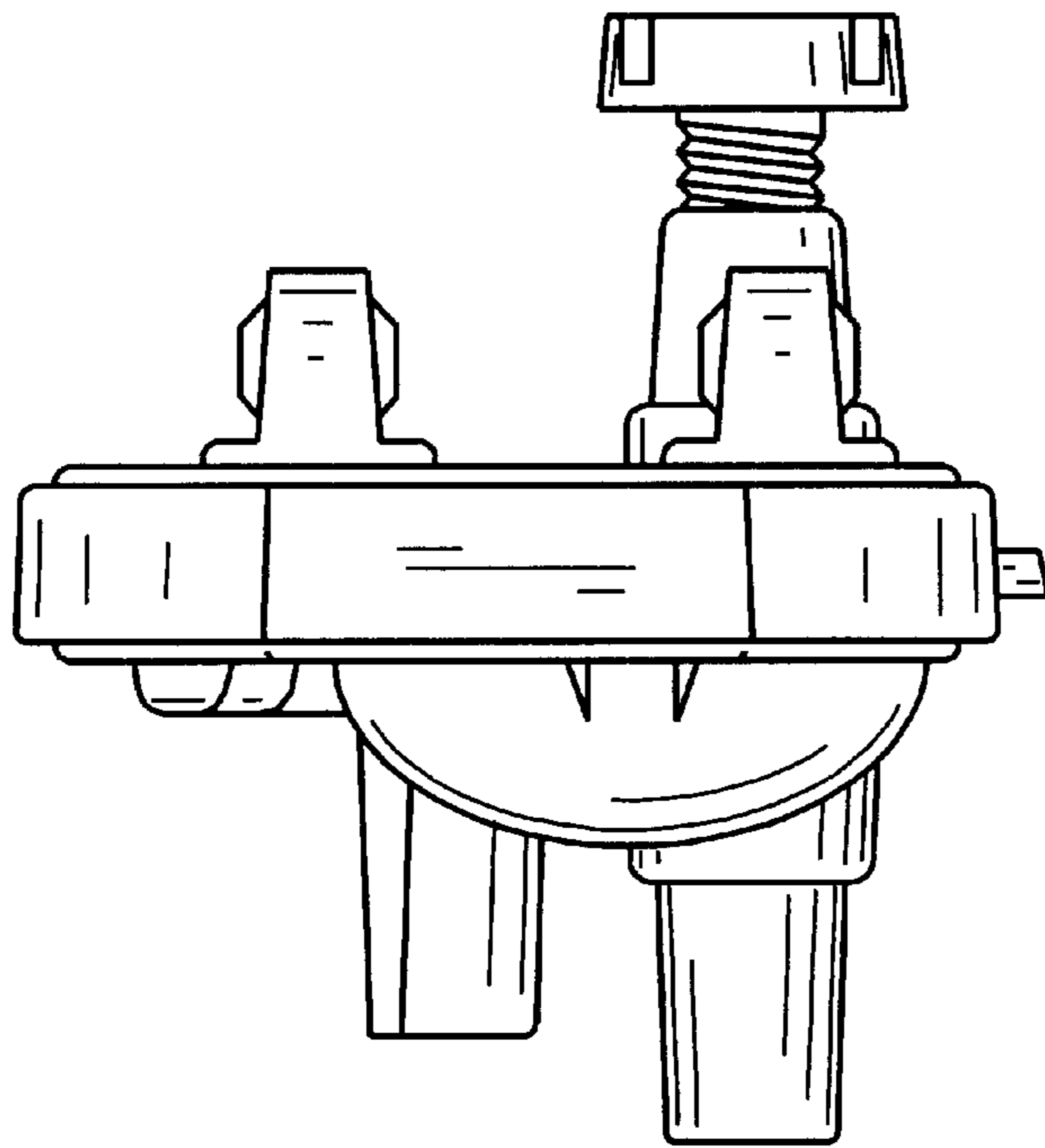


FIG. 5

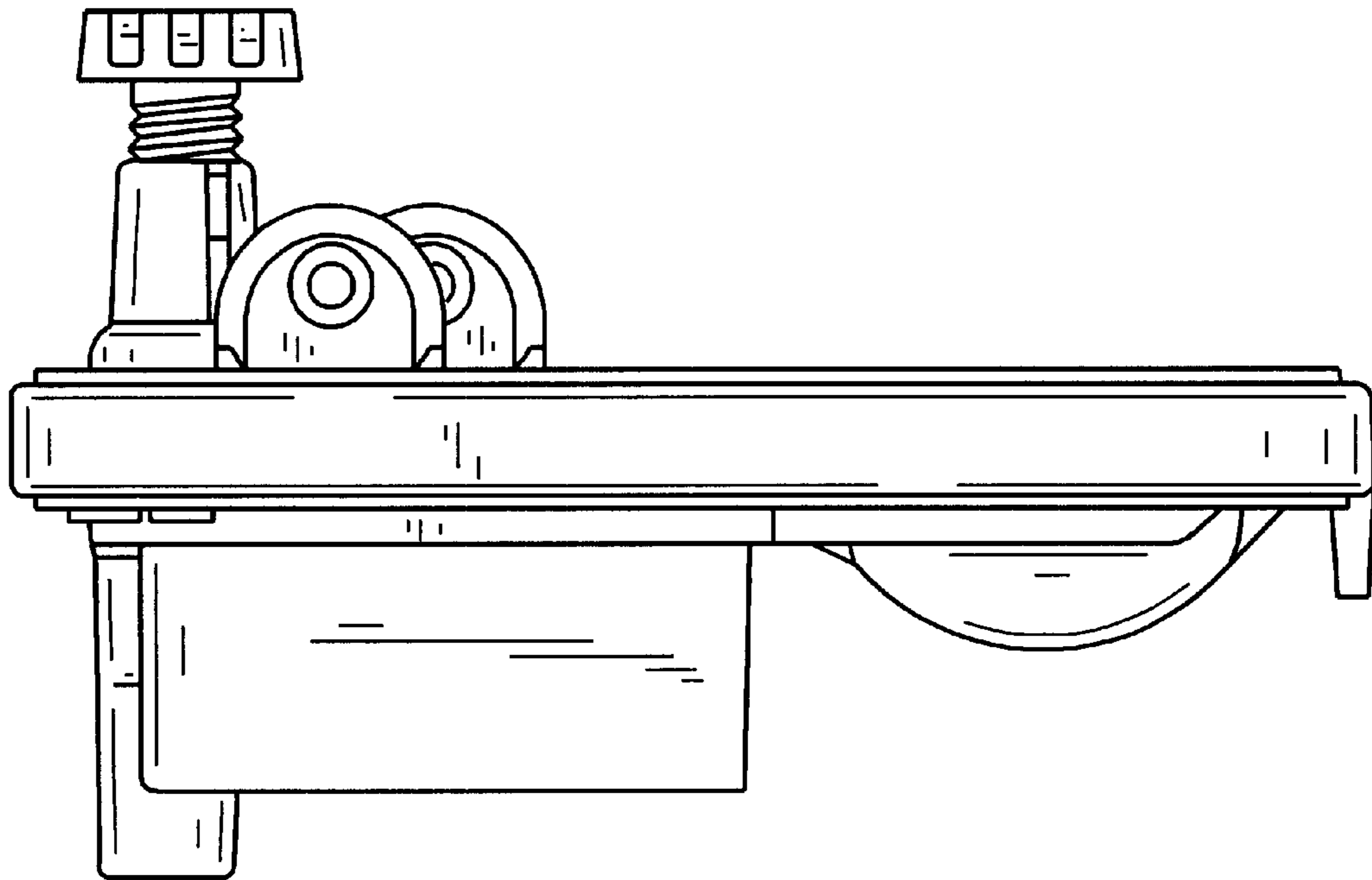


FIG. 6

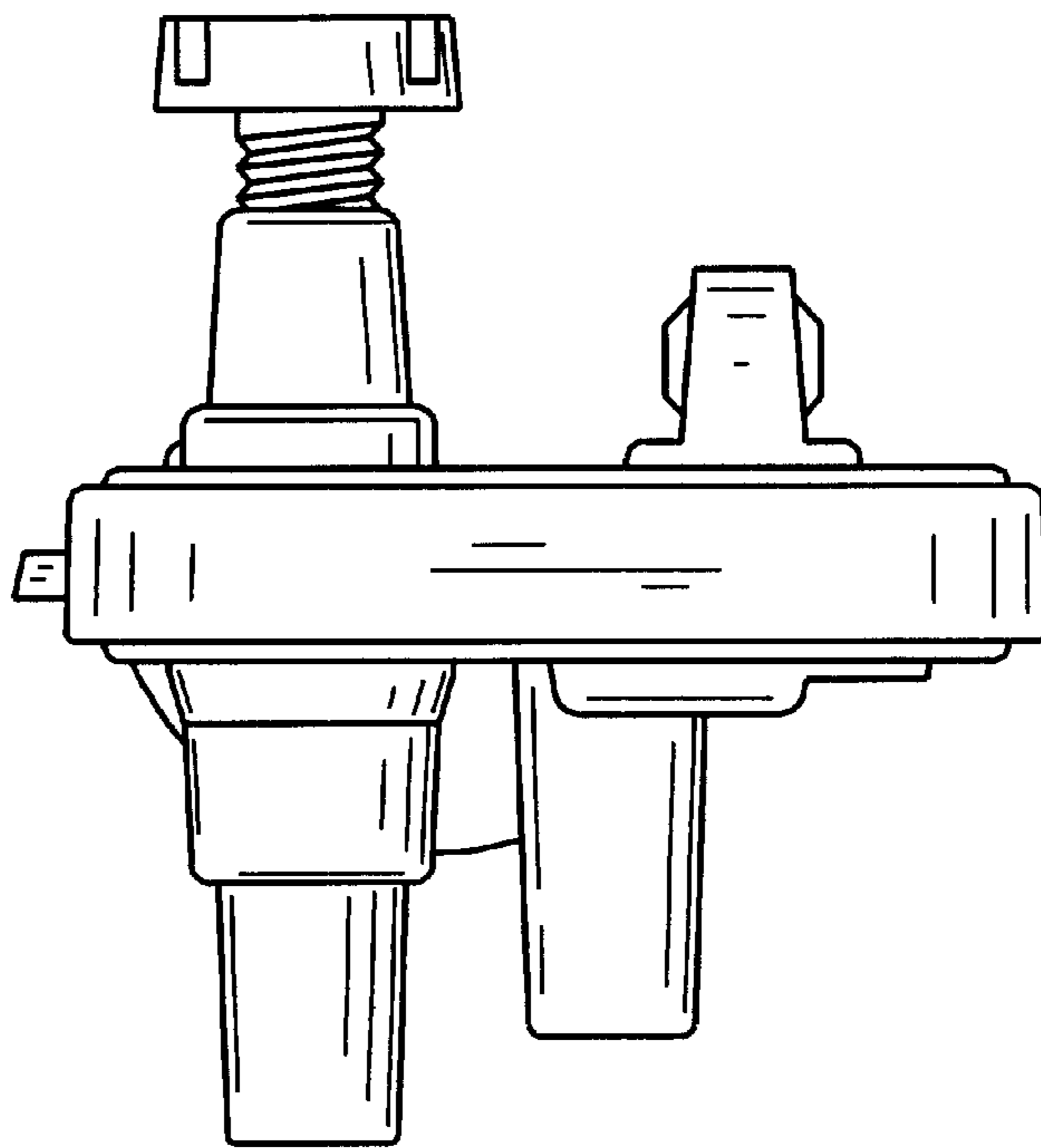


FIG. 7

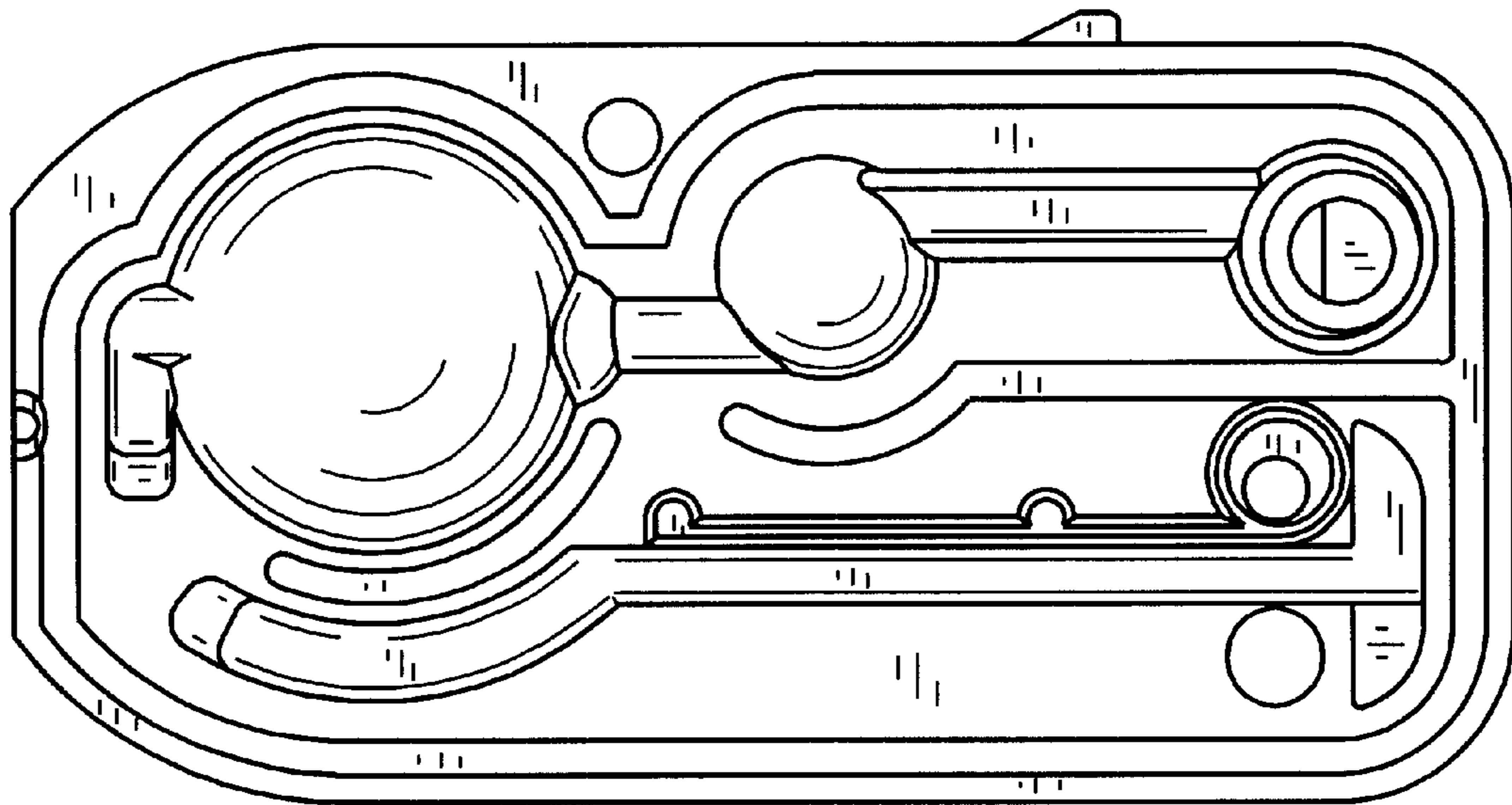


FIG. 8