



US00D476413S

(12) **United States Design Patent**  
**Pearce, Jr. et al.**

(10) **Patent No.:** **US D476,413 S**  
(45) **Date of Patent:** **\*\* Jun. 24, 2003**

(54) **DISPOSABLE MOUTHPIECE**

(75) Inventors: **Edwin M. Pearce, Jr.**, San Francisco, CA (US); **Todd Rodericks**, Campbell, CA (US)

(73) Assignee: **Healthetech, Inc.**, Golden, CO (US)

(\*\*) Term: **14 Years**

(21) Appl. No.: **29/160,628**

(22) Filed: **May 14, 2002**

(51) **LOC (7) Cl.** ..... **29-02**

(52) **U.S. Cl.** ..... **D24/110.5; D24/110; D24/110.6**

(58) **Field of Search** ..... **D24/110.5, 110.6, D24/164, 110; 128/201.26, 202.28, 206.29, 205.24; 600/532, 531, 538, 539, 300, 533, 543, 353, 541, 540**

(56) **References Cited**

**U.S. PATENT DOCUMENTS**

D441,449 S \* 5/2001 Gaskell ..... D24/162

\* cited by examiner

*Primary Examiner*—Ian Simmons

(74) *Attorney, Agent, or Firm*—Gifford, Krass, Groh, Sprinkle, Anderson & Citkowski, P.C.

(57) **CLAIM**

The ornamental design for a disposable mouthpiece, as shown and described.

**DESCRIPTION**

FIG. 1 is a perspective view of a disposable mouthpiece showing our new design;

FIG. 2 is a top plan view thereof;

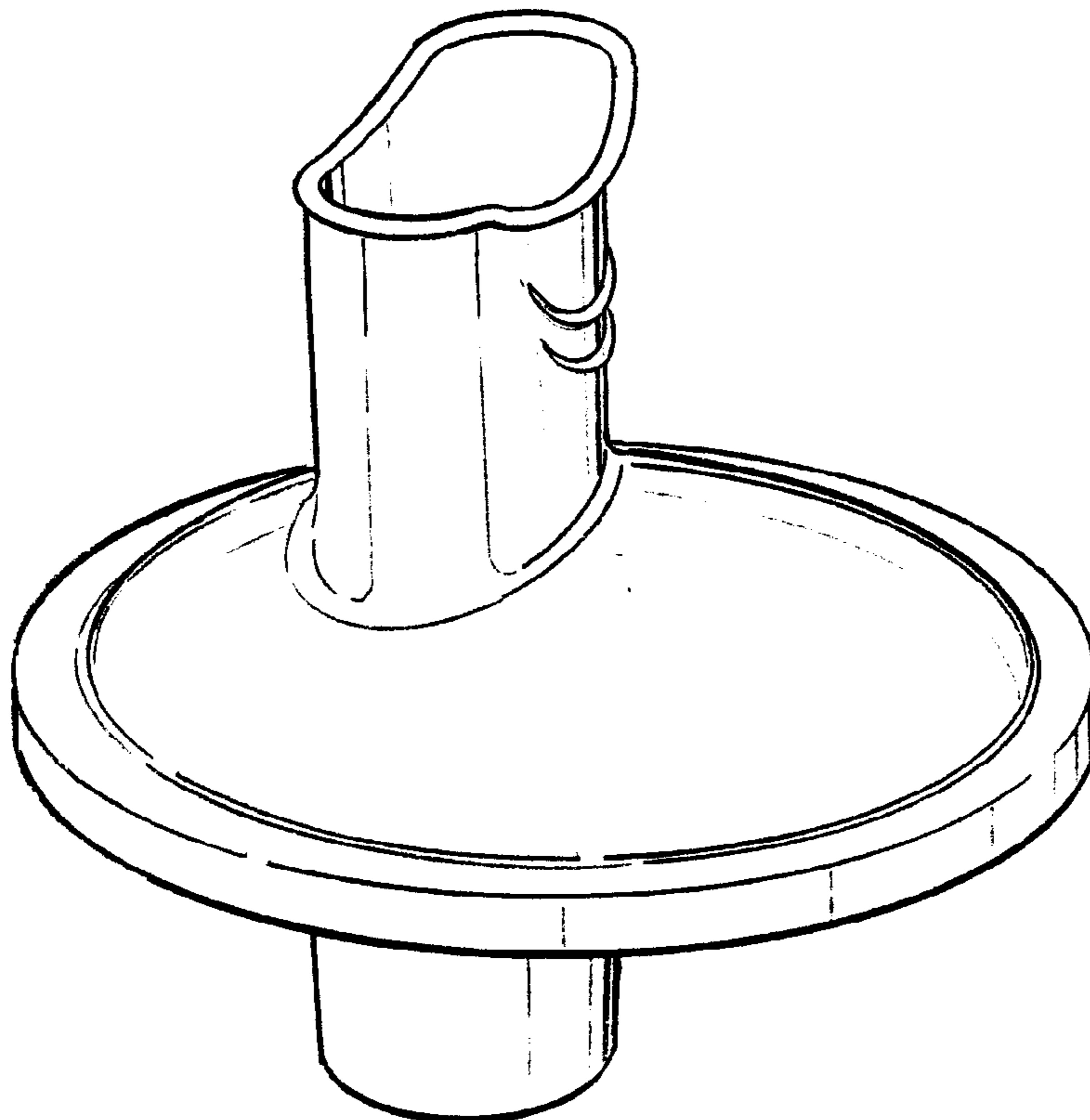
FIG. 3 is a front view thereof, the rear view being a mirror image thereof;

FIG. 4 is a left side view thereof;

FIG. 5 is a right side view thereof; and,

FIG. 6 is a bottom plan view thereof.

**1 Claim, 2 Drawing Sheets**



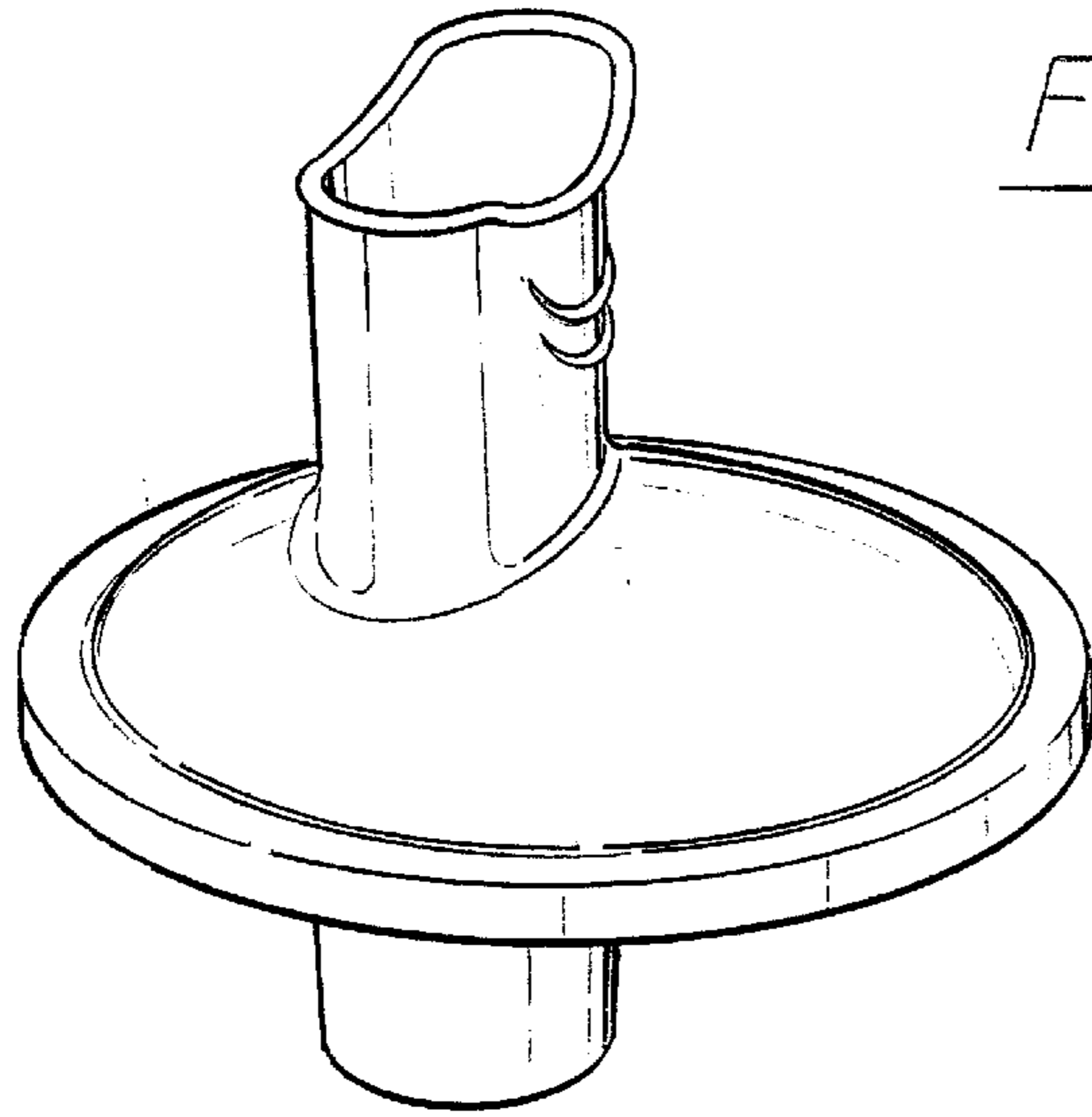


FIG - 1

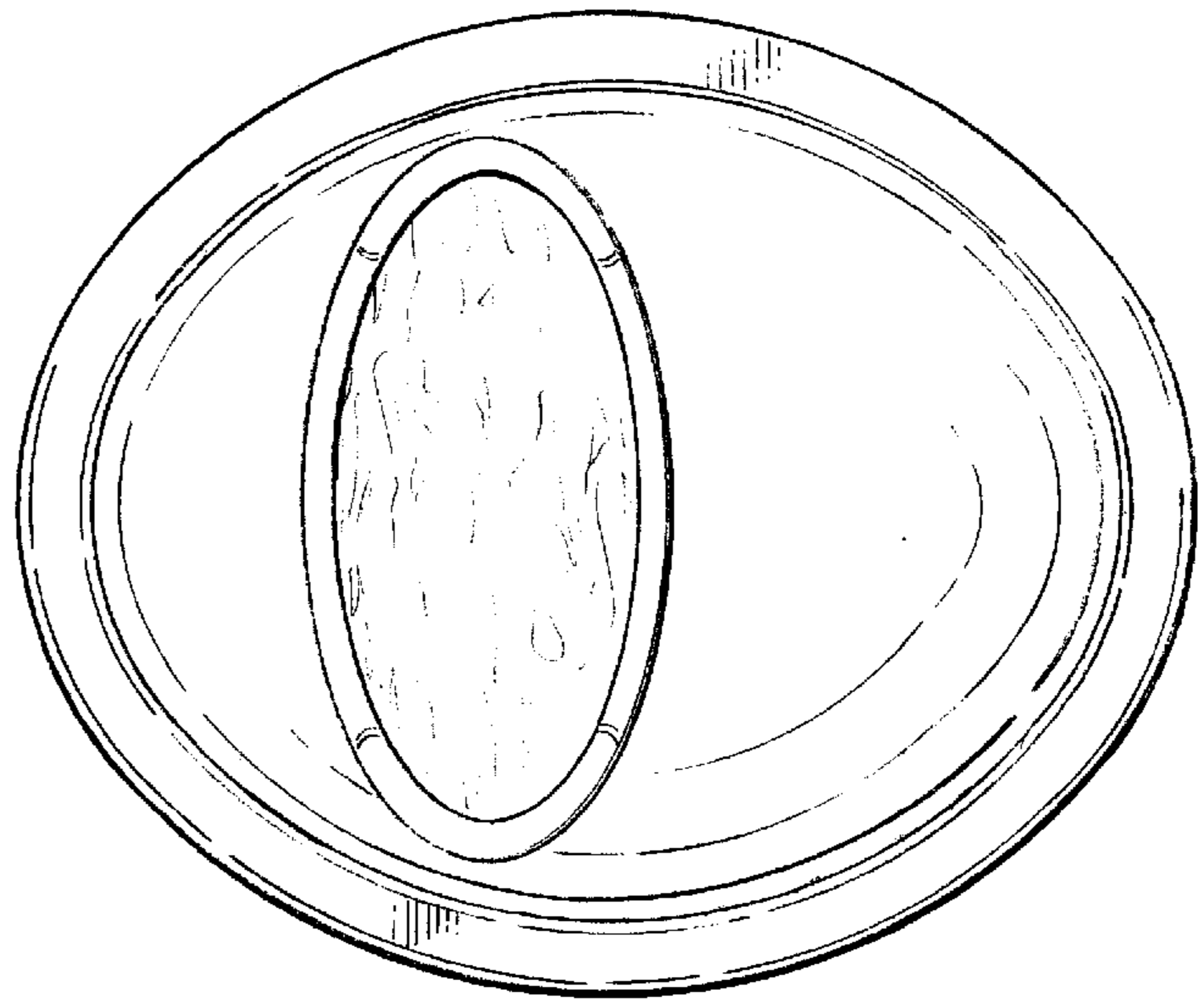


FIG - 2

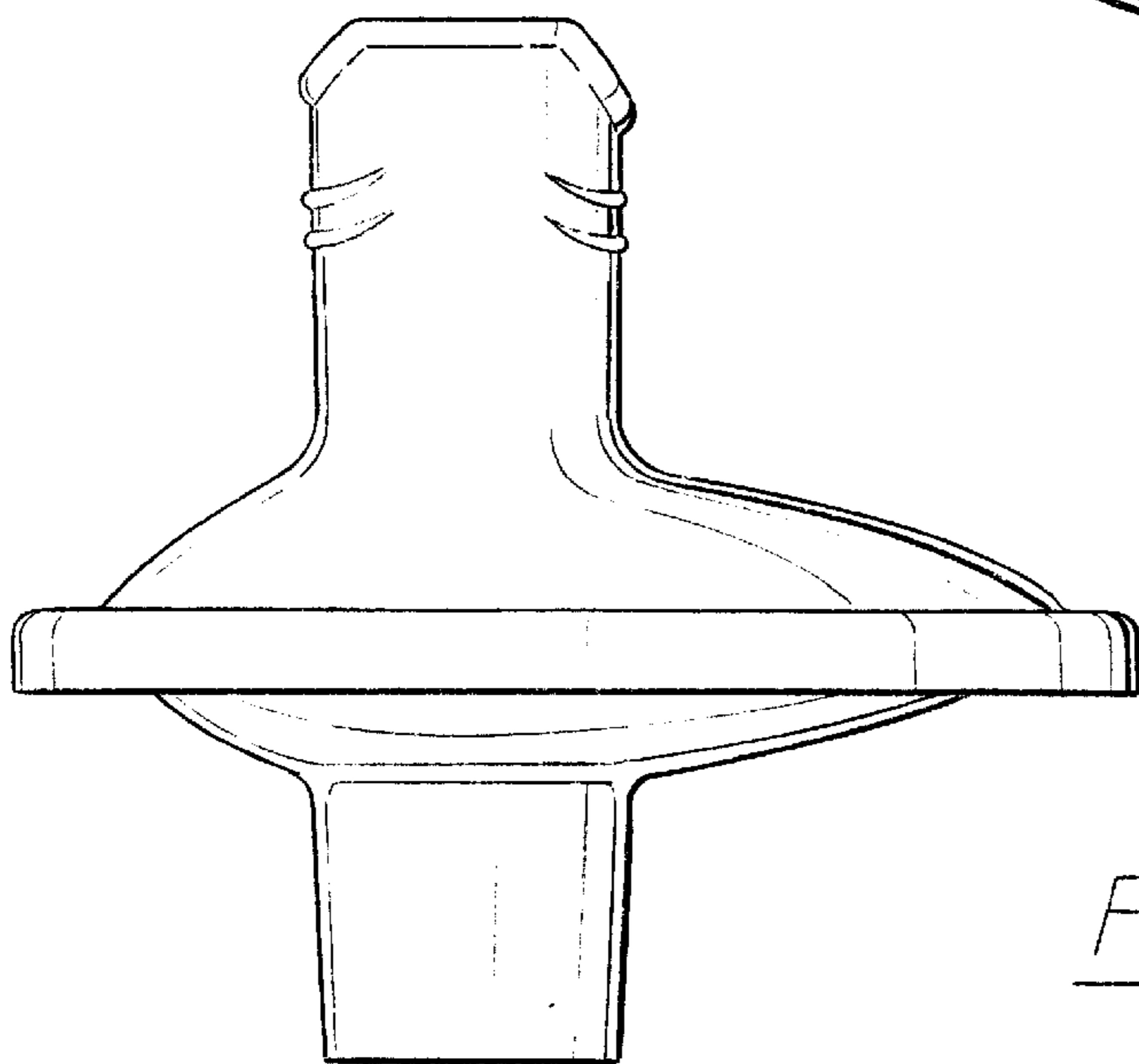


FIG - 3

FIG-4

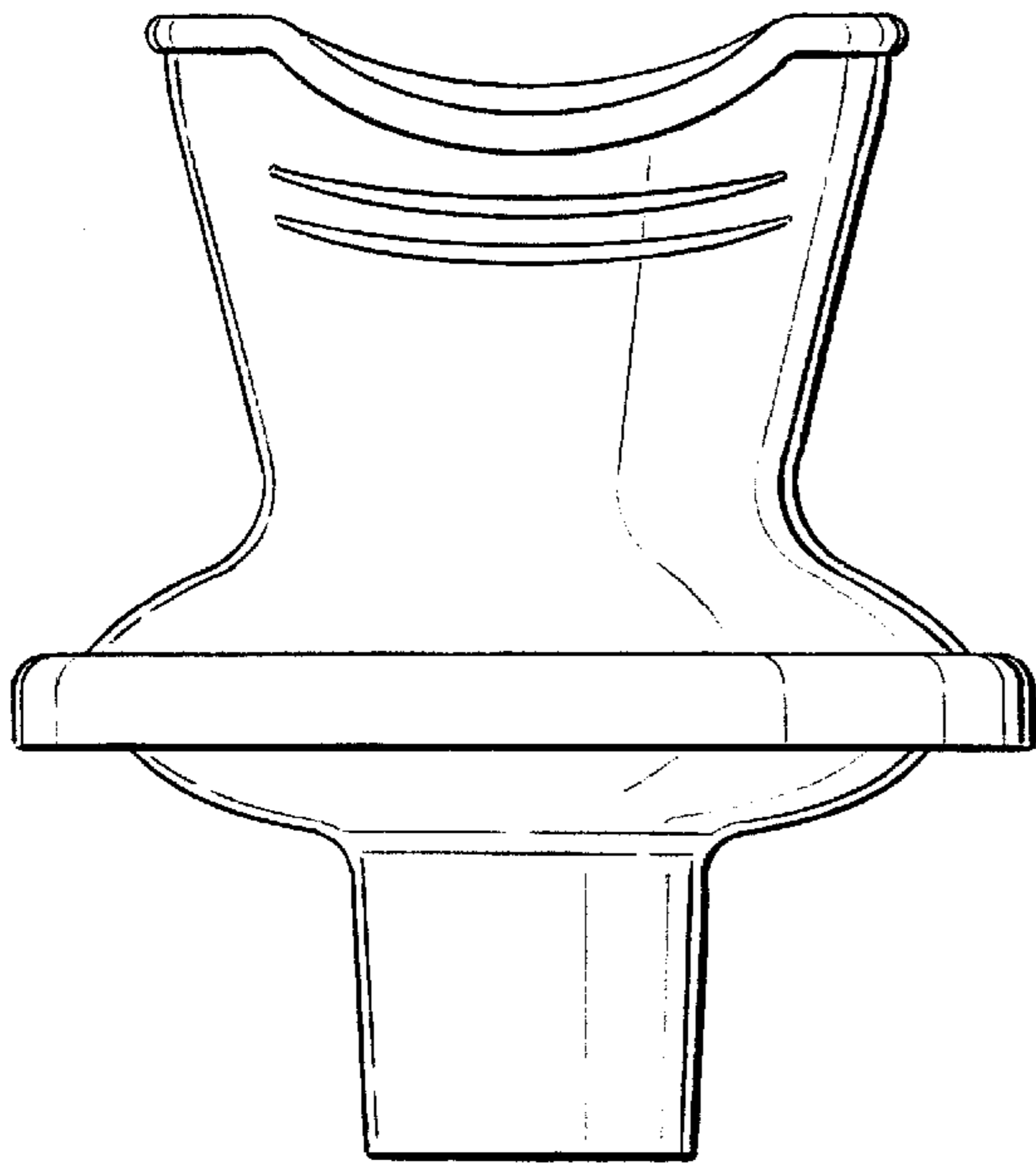
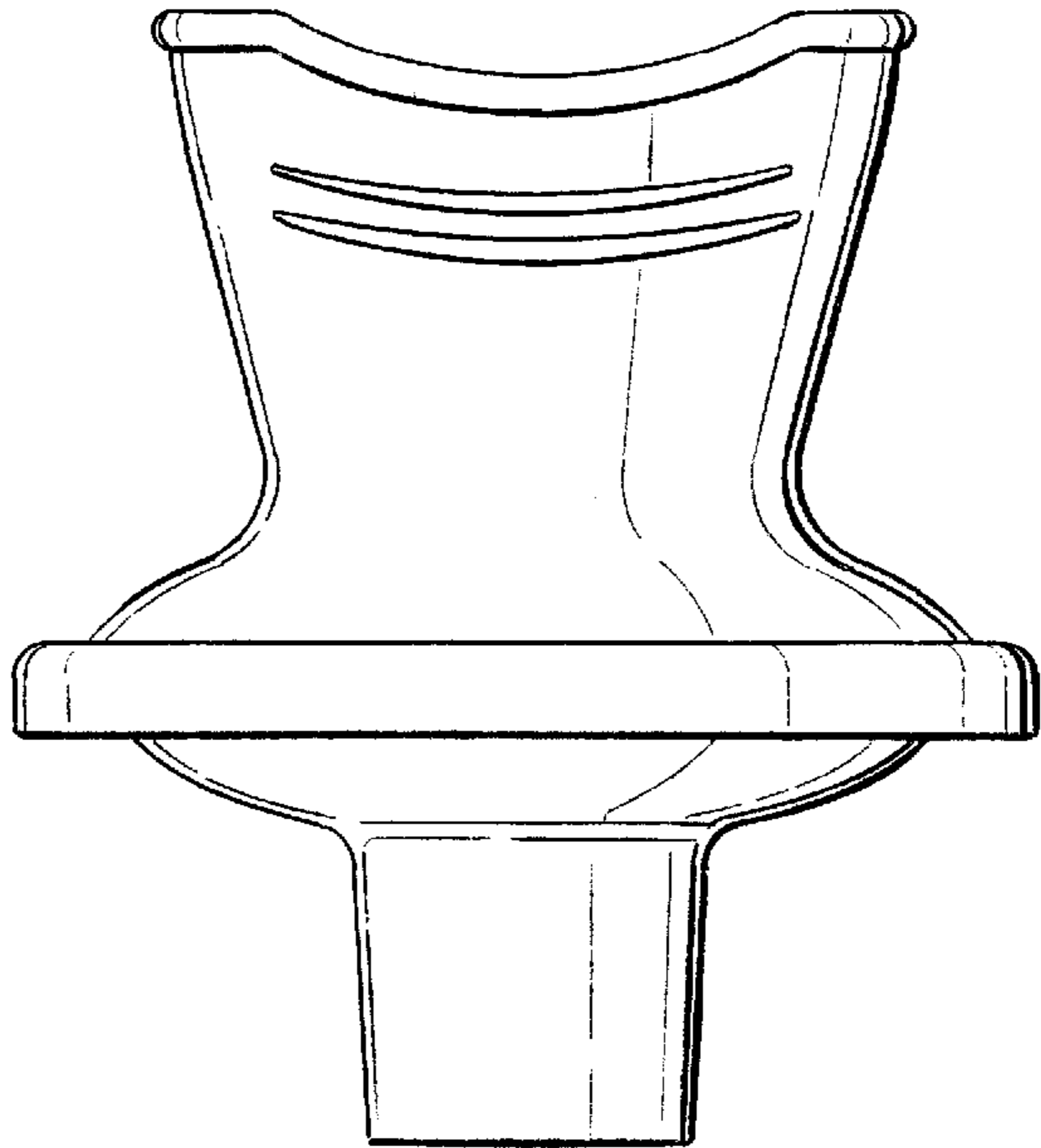


FIG-5

FIG-6

