



US00D476411S

(12) **United States Design Patent**
Friedes

(10) **Patent No.:** **US D476,411 S**

(45) **Date of Patent:** **** Jun. 24, 2003**

(54) **COMBINATION CEILING FAN HOUSING AND LIGHT FIXTURE UNIT**

(75) Inventor: **Michael Friedes**, Piedmont, CA (US)

(73) Assignee: **Minka Lighting, Inc.**, Corona, CA (US)

(**) Term: **14 Years**

(21) Appl. No.: **29/170,423**

(22) Filed: **Nov. 5, 2002**

(51) **LOC (7) Cl.** **23-04**

(52) **U.S. Cl.** **D23/411**

(58) **Field of Search** D23/377, 379,
D23/385, 411, 413; 416/5; D26/81-86,
59, 57, 72; 362/96; 392/364

(56) **References Cited**

U.S. PATENT DOCUMENTS

| | | | | | |
|------------|---|---------|----------|-------|---------|
| D435,289 S | * | 12/2000 | Liu | | D23/411 |
| D460,549 S | | 7/2002 | Sonneman | | D23/411 |
| D464,722 S | | 10/2002 | Sonneman | | D23/377 |
| D465,277 S | | 11/2002 | Sonneman | | D23/411 |
| D467,327 S | * | 12/2002 | Frampton | | D23/377 |

OTHER PUBLICATIONS

Minka Lighting, Inc.; MinkaAire Two Thousand One; Oct. 5, 2000; pp. 8,9; Minka Lighting, Inc.; U.S.A.

Minka Lighting, Inc.; MinkaAire Two Thousand Two; Apr. 22, 2002; p. 15; Minka Lighting, Inc.; U.S.A.

* cited by examiner

Primary Examiner—Lisa Lichtenstein

(74) *Attorney, Agent, or Firm*—Jenkins & Gilchrist, P.C.

(57) **CLAIM**

The ornamental design for the combination ceiling fan housing and light fixture unit, as shown and described.

DESCRIPTION

FIG. 1 is a perspective view from below of the combination ceiling fan housing and light fixture unit in accordance with my design;

FIG. 2 is a bottom plan view of the combination ceiling fan housing and light fixture unit in accordance with my design; FIG. 3 is a front elevation view of the combination ceiling fan housing and light fixture unit in accordance with my design;

FIG. 4 is a top plan view of the combination ceiling fan housing and light fixture unit in accordance with my design; and,

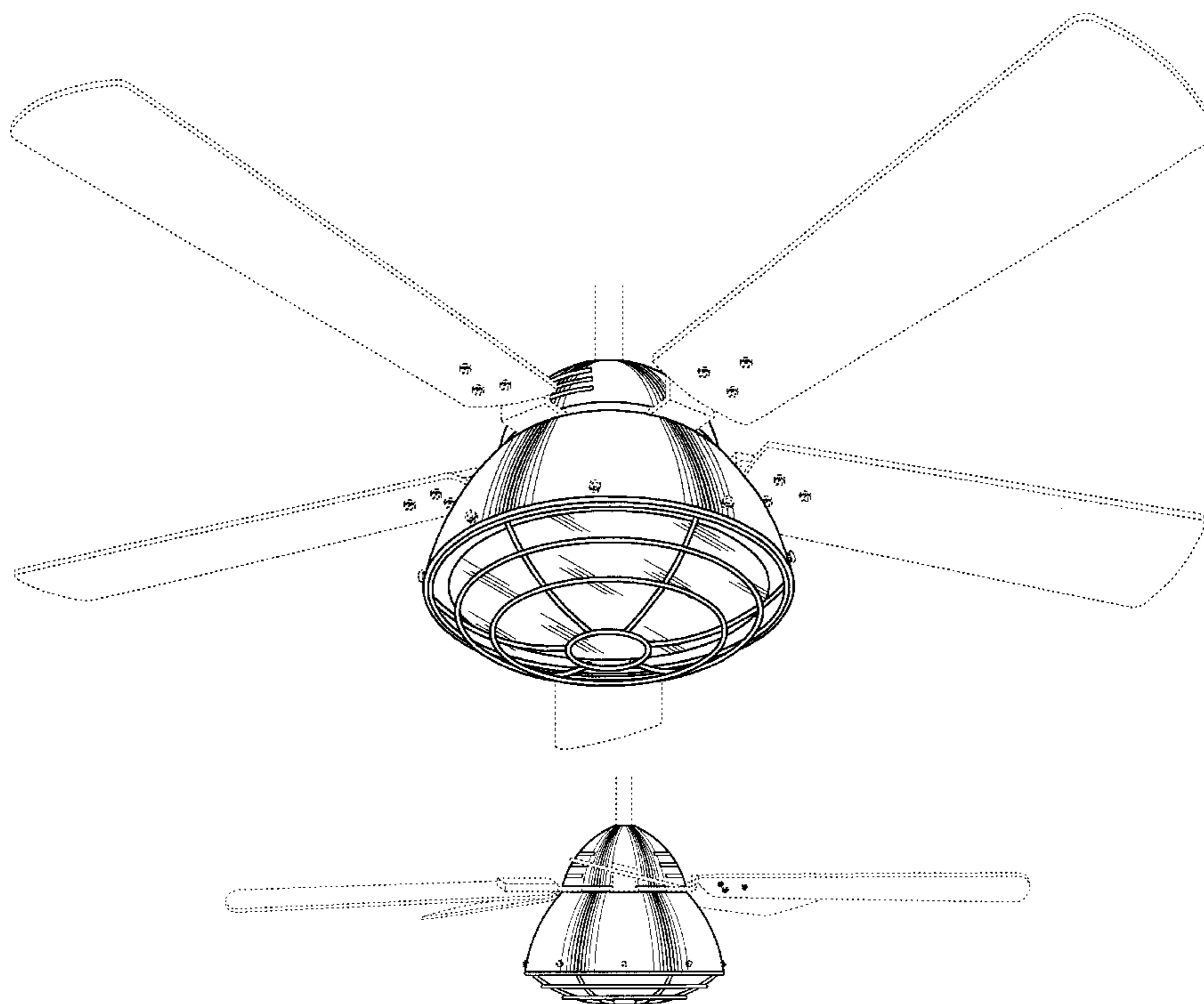
FIG. 5 is a side elevation view from below of the combination ceiling fan housing and light fixture unit in accordance with my design.

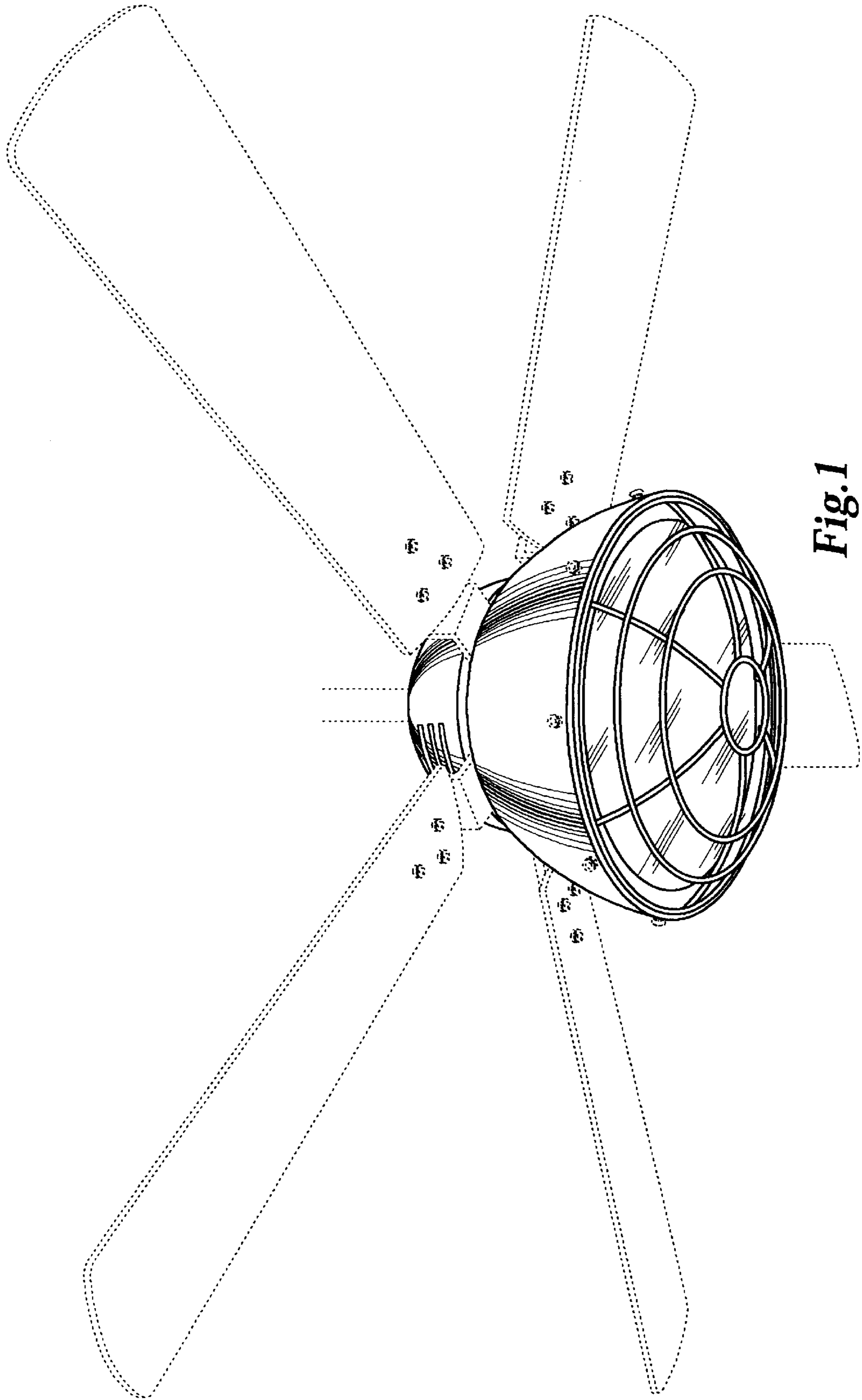
The right and left side elevational views are identical except for the position of the fan blades.

The front and back elevational views are identical except for the position of the fan blades.

The broken line showing of environmental structure in FIGS. 1-5 is for illustrative purposes only and forms no part of the claimed design.

1 Claim, 3 Drawing Sheets





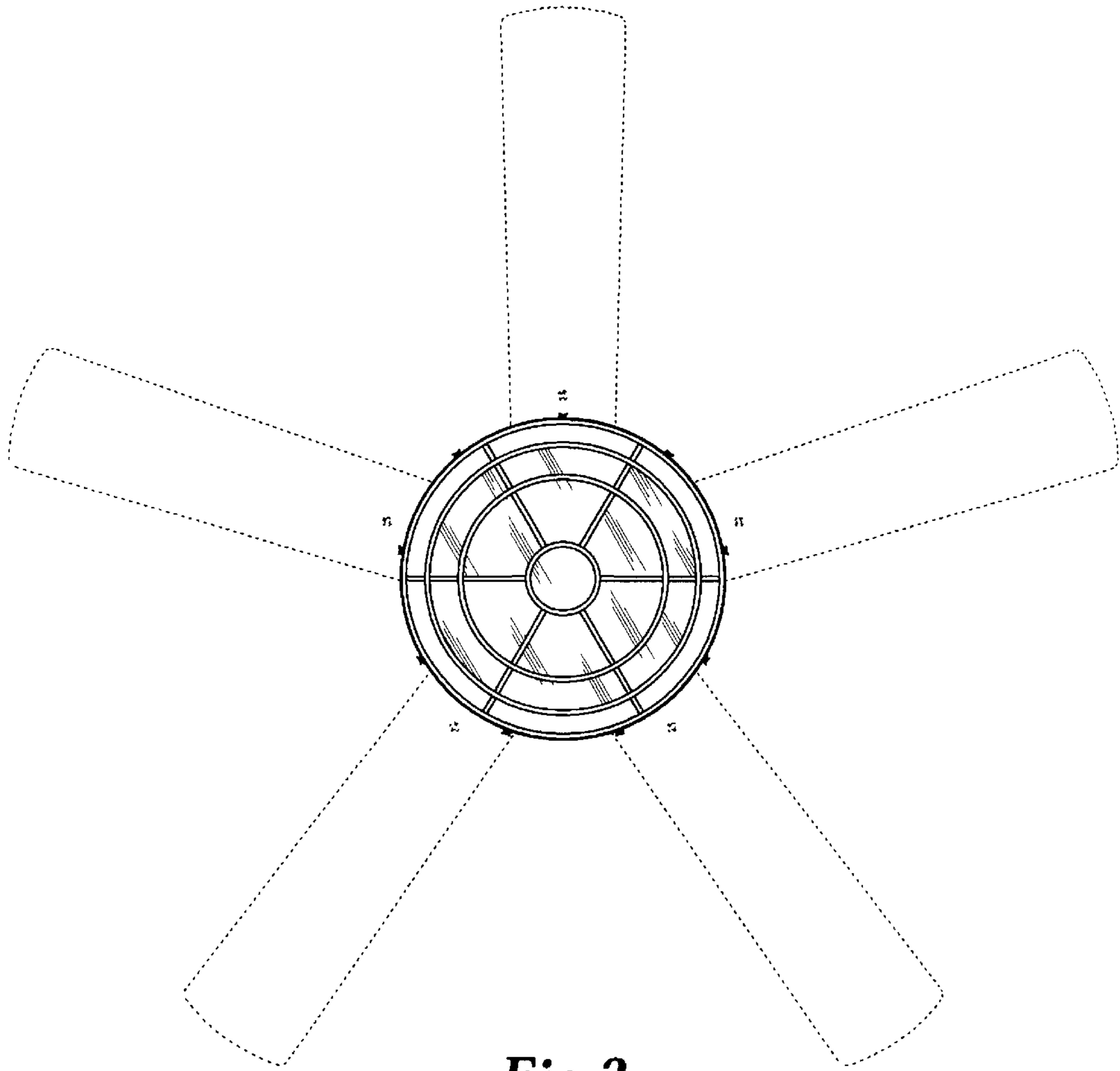


Fig.2

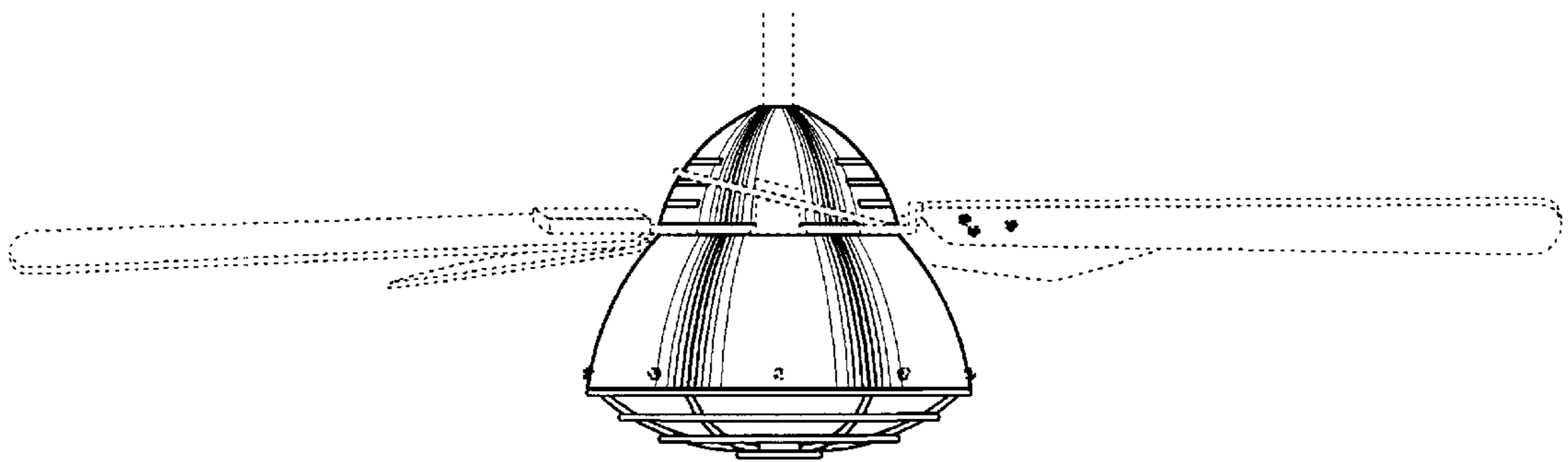


Fig.3

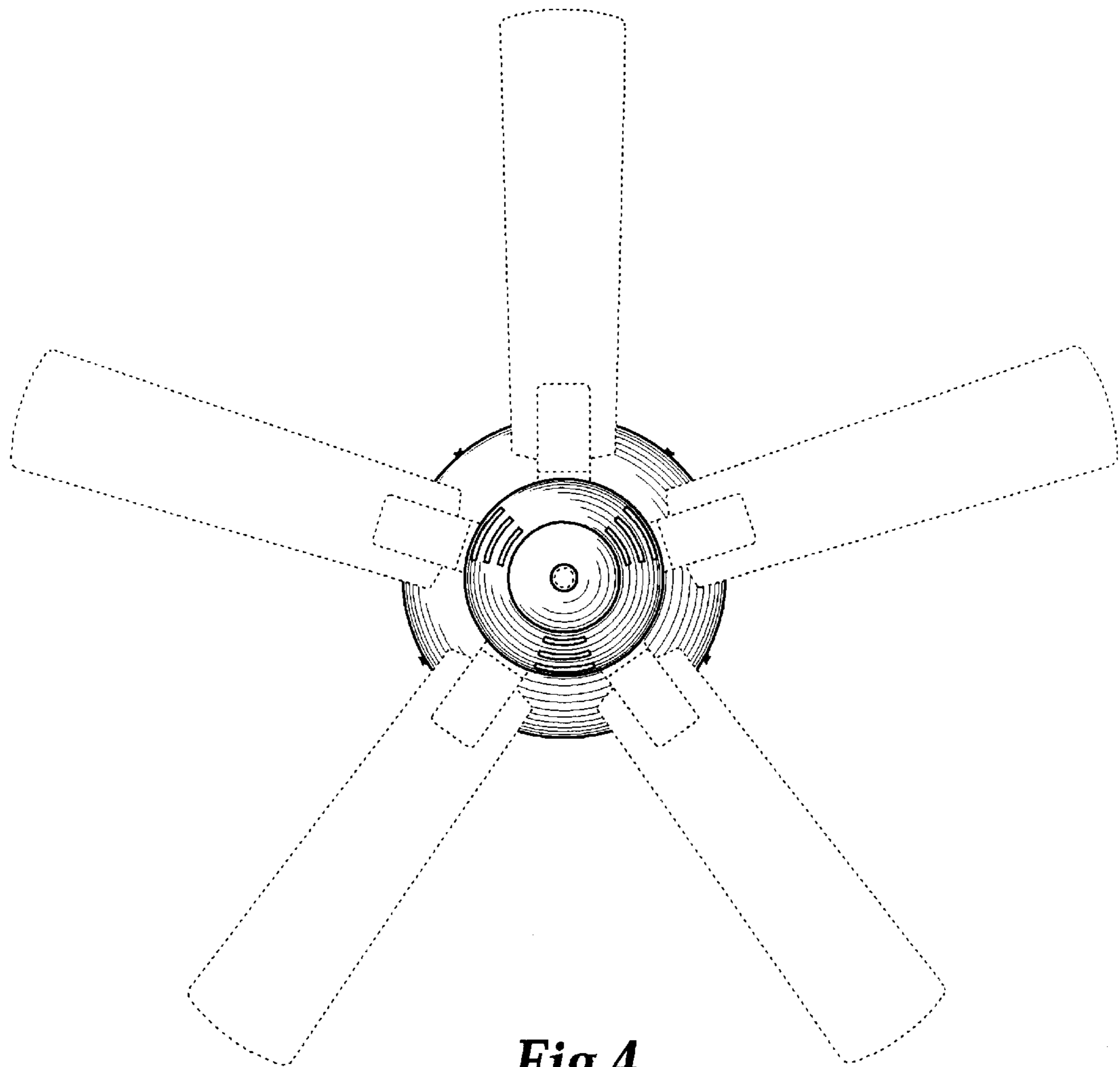


Fig. 4

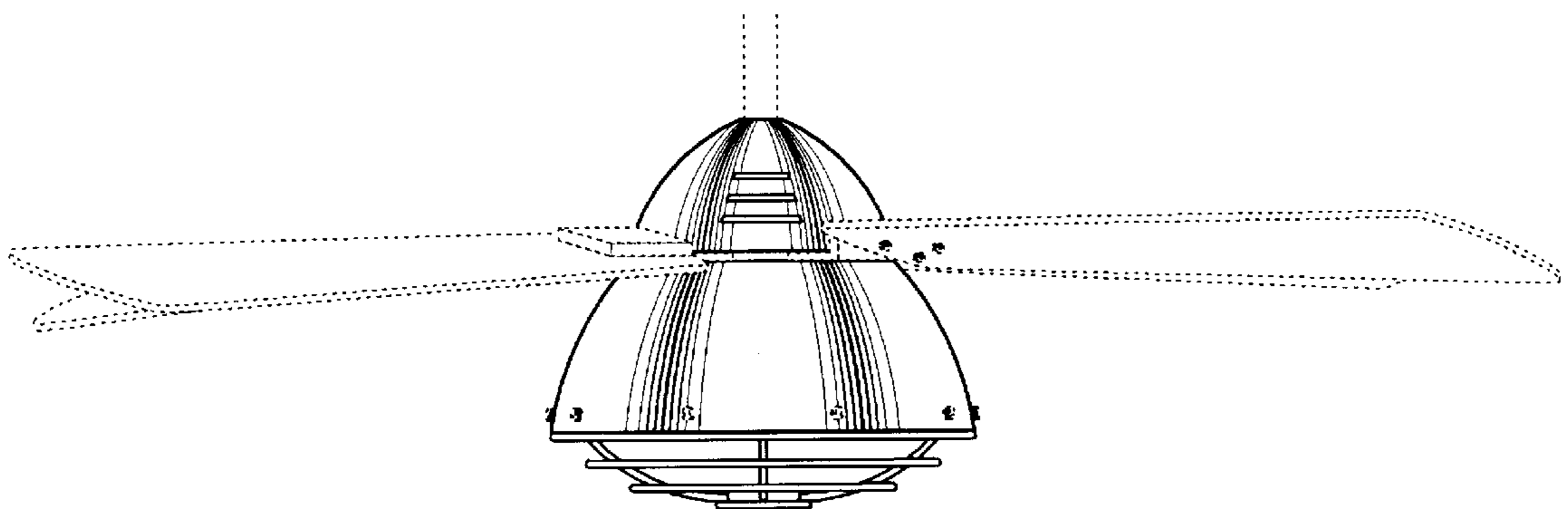


Fig. 5