



US00D476410S

(12) **United States Design Patent**
Young

(10) **Patent No.:** **US D476,410 S**

(45) **Date of Patent:** **** Jun. 24, 2003**

(54) **COMBINED CEILING FAN MOTOR HOUSING, SUPPORT ARMS AND LIGHT FIXTURE UNIT**

(75) Inventor: **Stanfield Young**, Cypress, CA (US)

(73) Assignee: **Minka Lighting, Inc.**, Corona, CA (US)

(**) Term: **14 Years**

(21) Appl. No.: **29/165,179**

(22) Filed: **Aug. 5, 2002**

(51) **LOC (7) Cl.** **23-04**

(52) **U.S. Cl.** **D23/411; D26/59**

(58) **Field of Search** D23/411, 377,
D23/379, 385; 416/5; 394/362; 362/96;
D26/59, 51, 72, 81-86

(56) **References Cited**

U.S. PATENT DOCUMENTS

D402,026 S	*	12/1998	Chuang et al.	D23/377
D421,799 S	*	3/2000	Zuege	D23/411
D454,630 S	*	3/2002	Hidalgo	D23/377

OTHER PUBLICATIONS

Minka Lighting, Inc.; MinkaAire; Apr. 25, 1995; p. 25;
Minka Lighting, Inc.; U.S.A.

Minka Lighting, Inc.; MinkaAire Two Thousand Two; Apr. 22, 2002; p. 30; Minka Lighting, Inc.; U.S.A.

* cited by examiner

Primary Examiner—Lisa Lichtenstein

(74) *Attorney, Agent, or Firm*—Jenkins & Gilchrist, P.C.

(57) **CLAIM**

The ornamental design for the combined ceiling fan motor housing, support arms and light fixture unit, as shown and described.

DESCRIPTION

FIG. 1 is a perspective view from below of the combined ceiling fan motor housing, support arms and light fixture unit in accordance with my design.

FIG. 2 is a side elevation view of the combined ceiling fan motor housing, support arms and light fixture unit in accordance with my design;

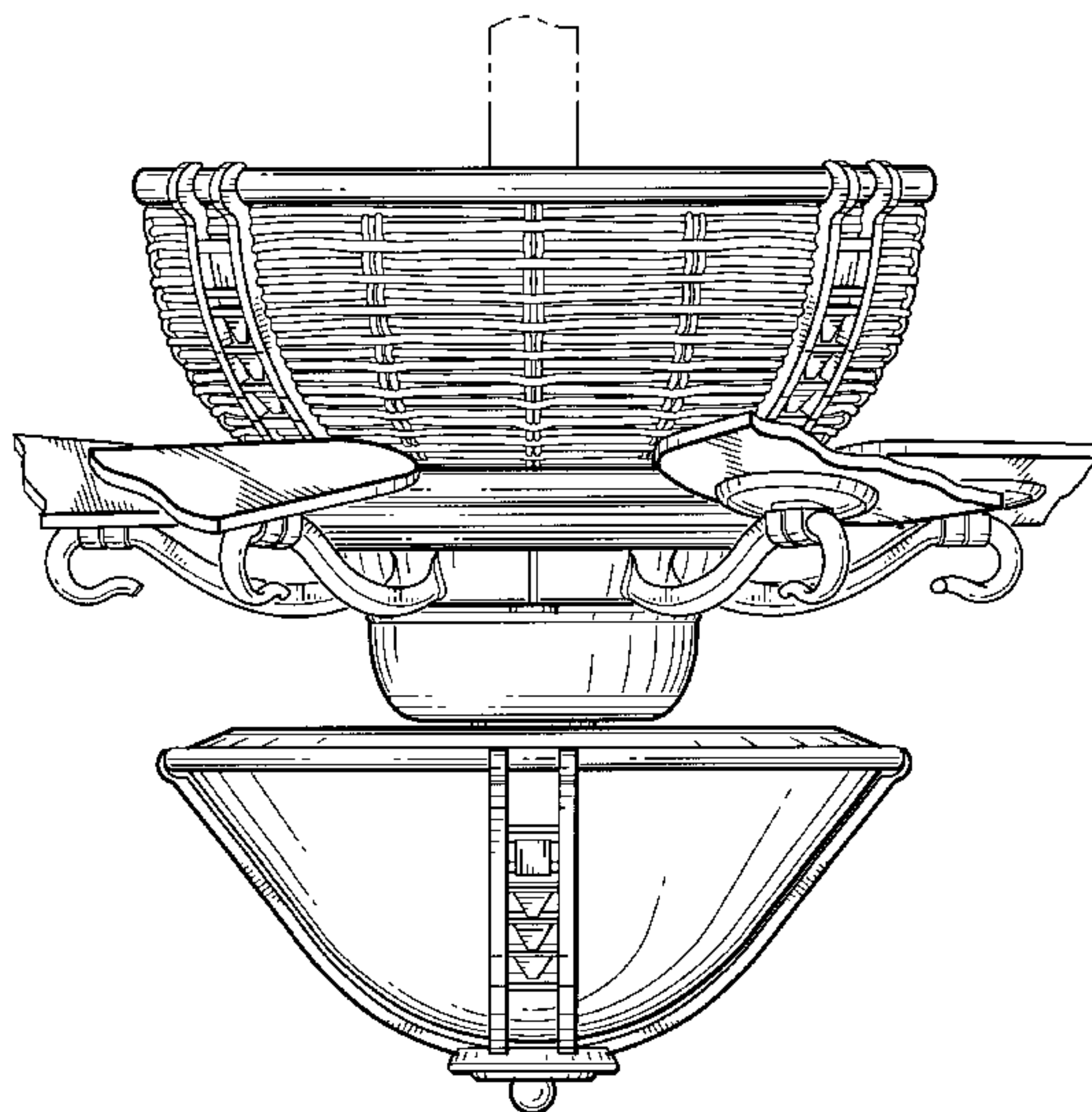
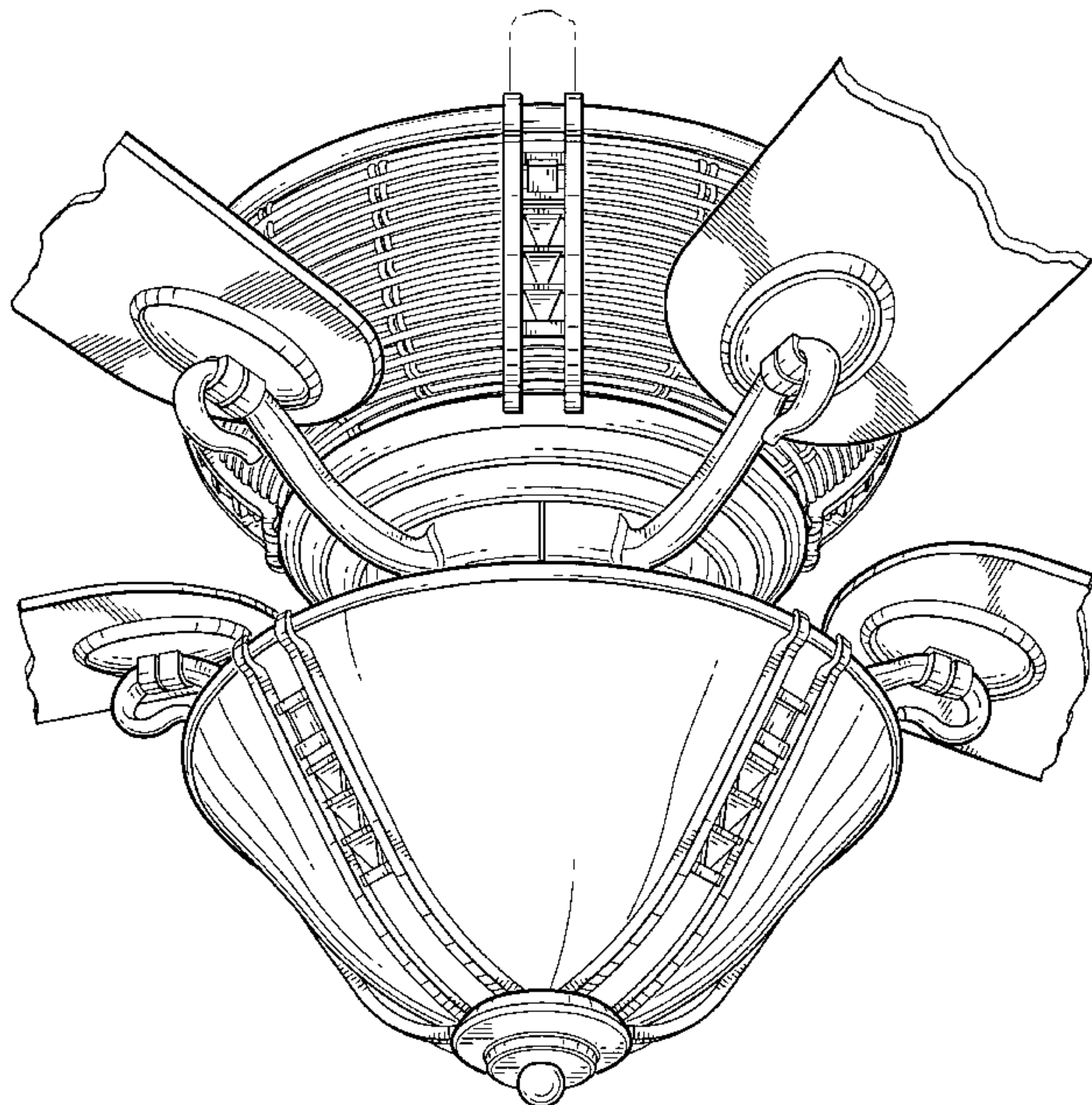
FIG. 3 is a bottom plan view of the combined ceiling fan motor housing, support arms and light fixture unit in accordance with my design; and,

FIG. 4 is a top plan view of the combined ceiling fan motor housing, support arms and light fixture unit in accordance with my design.

The front, rear and side elevation are identical except for the position of the blades.

The broken lines showing environmental structure are for illustrative purposes and form no part of the claimed design. The blades are shown broken away in FIGS. 1-4 to indicate indeterminate length.

1 Claim, 4 Drawing Sheets



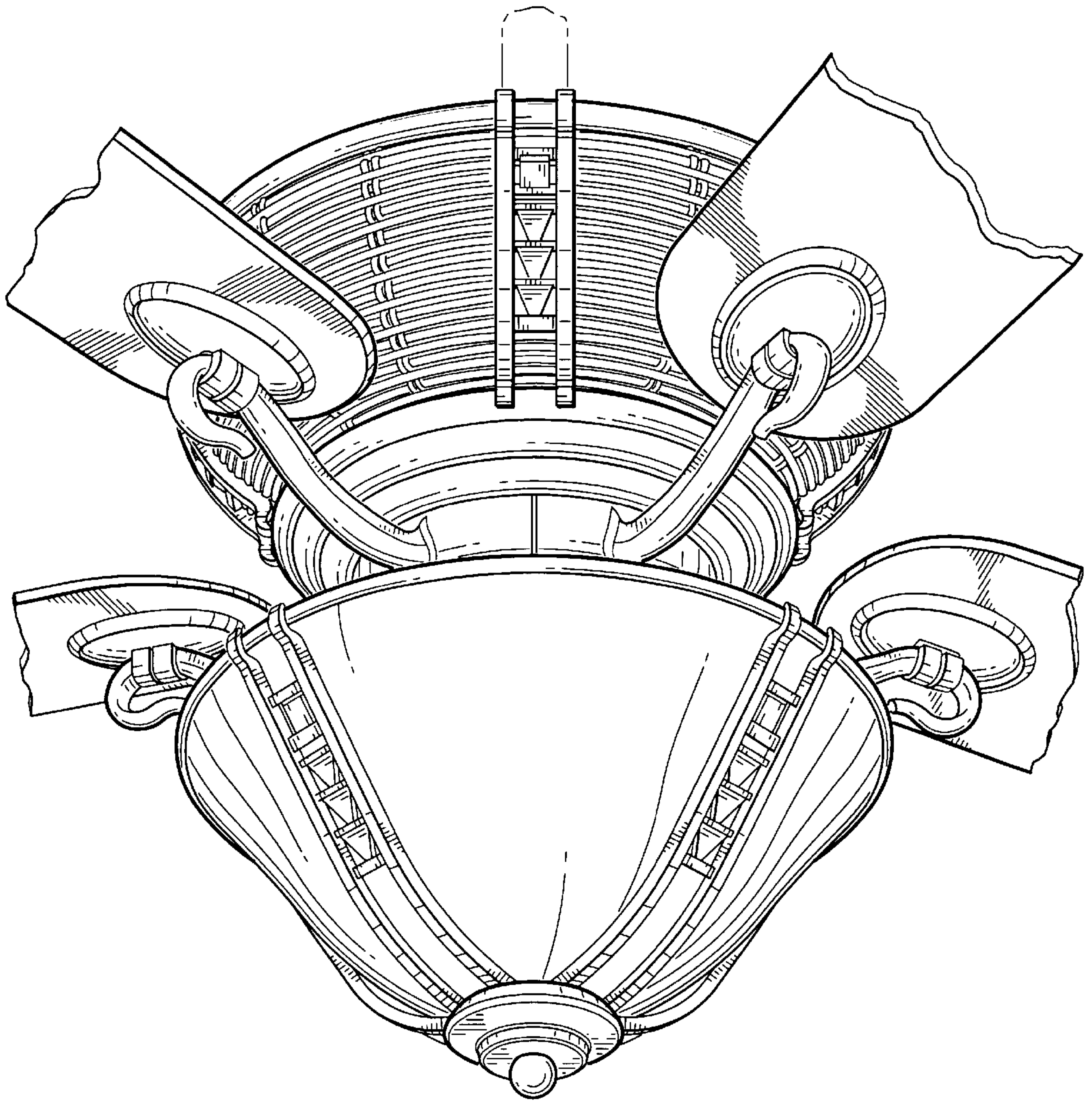


FIG. 1

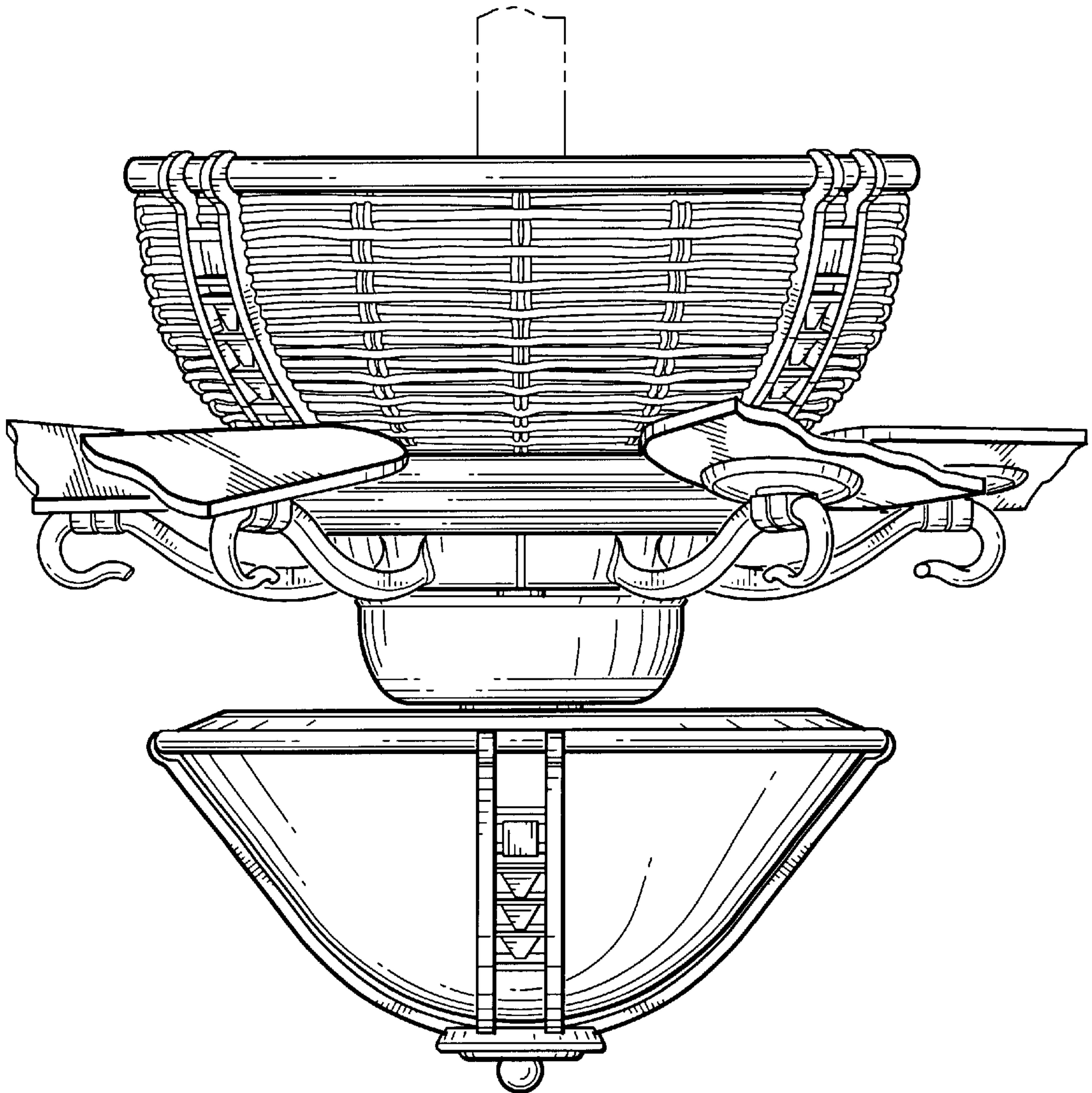


FIG. 2

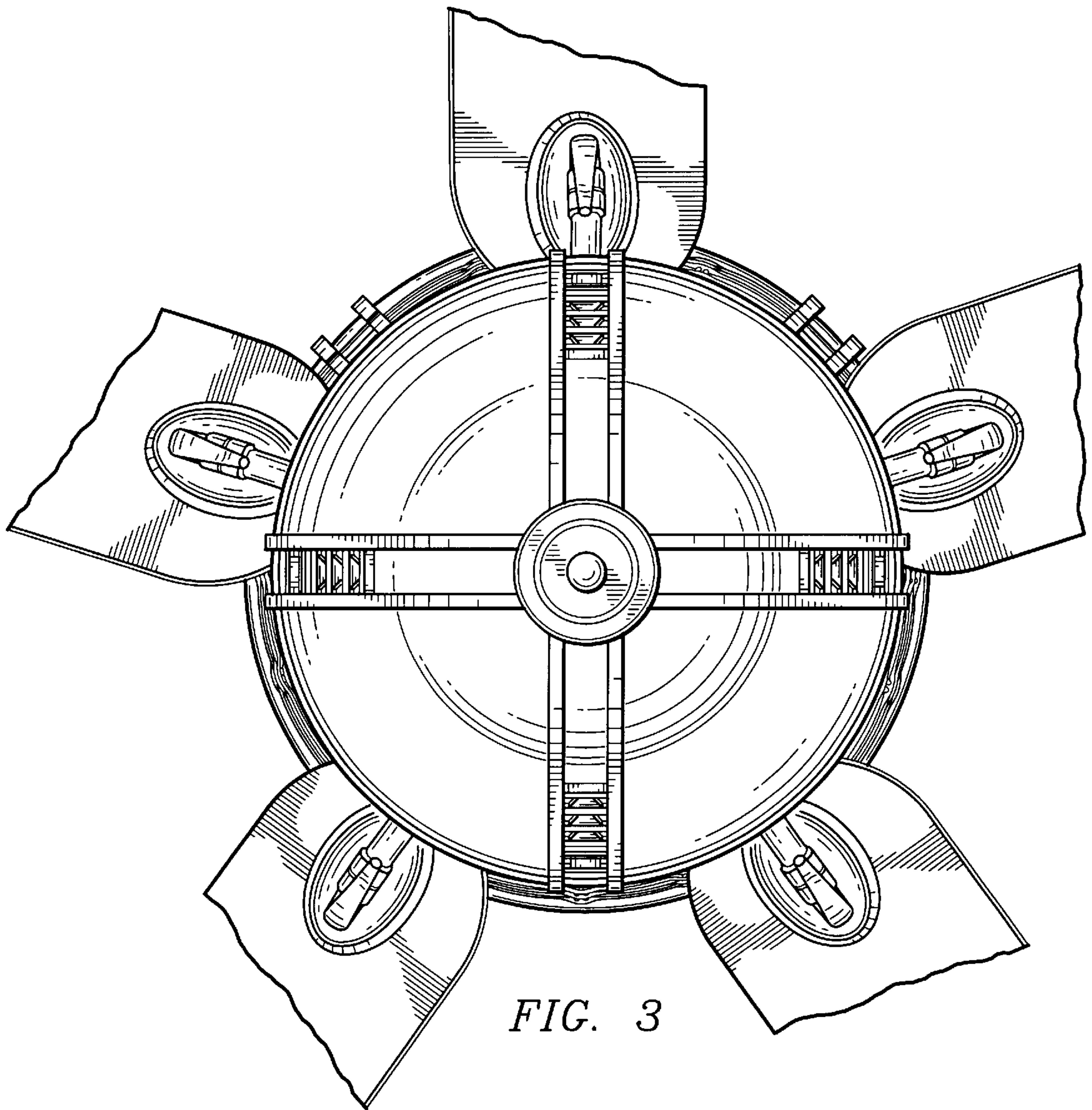


FIG. 3

