



US00D476409S

(12) **United States Design Patent**
Gajewski

(10) **Patent No.:** **US D476,409 S**

(45) **Date of Patent:** **** Jun. 24, 2003**

(54) **CEILING FAN BLADE IRON**

(75) Inventor: **Mark Gajewski**, San Luis Obispo, CA
(US)

(73) Assignee: **Minka Lighting, Inc.**, Corona, CA
(US)

(**) Term: **14 Years**

(21) Appl. No.: **29/161,357**

(22) Filed: **May 28, 2002**

(51) **LOC (7) Cl.** **23-04**

(52) **U.S. Cl.** **D23/411**

(58) **Field of Search** D23/411, 377,
D23/379, 385; 416/5, 210 R

(56) **References Cited**

U.S. PATENT DOCUMENTS

- D417,496 S * 12/1999 Chang et al. D23/377
- D417,499 S * 12/1999 Zuege D23/411
- D428,133 S * 7/2000 Chen D23/411

* cited by examiner

Primary Examiner—Lisa Lichtenstein

(74) *Attorney, Agent, or Firm*—Jenkins & Gilchrist, P.C.

(57) **CLAIM**

The ornamental design for the ceiling fan blade iron, as shown and described.

DESCRIPTION

FIG. 1 is a top view of the ceiling fan blade iron showing my new design;

FIG. 2 is a bottom view thereof;

FIG. 3 is a right side elevation view thereof;

FIG. 4 is a left side elevation view thereof;

FIG. 5 is a perspective view from below thereof;

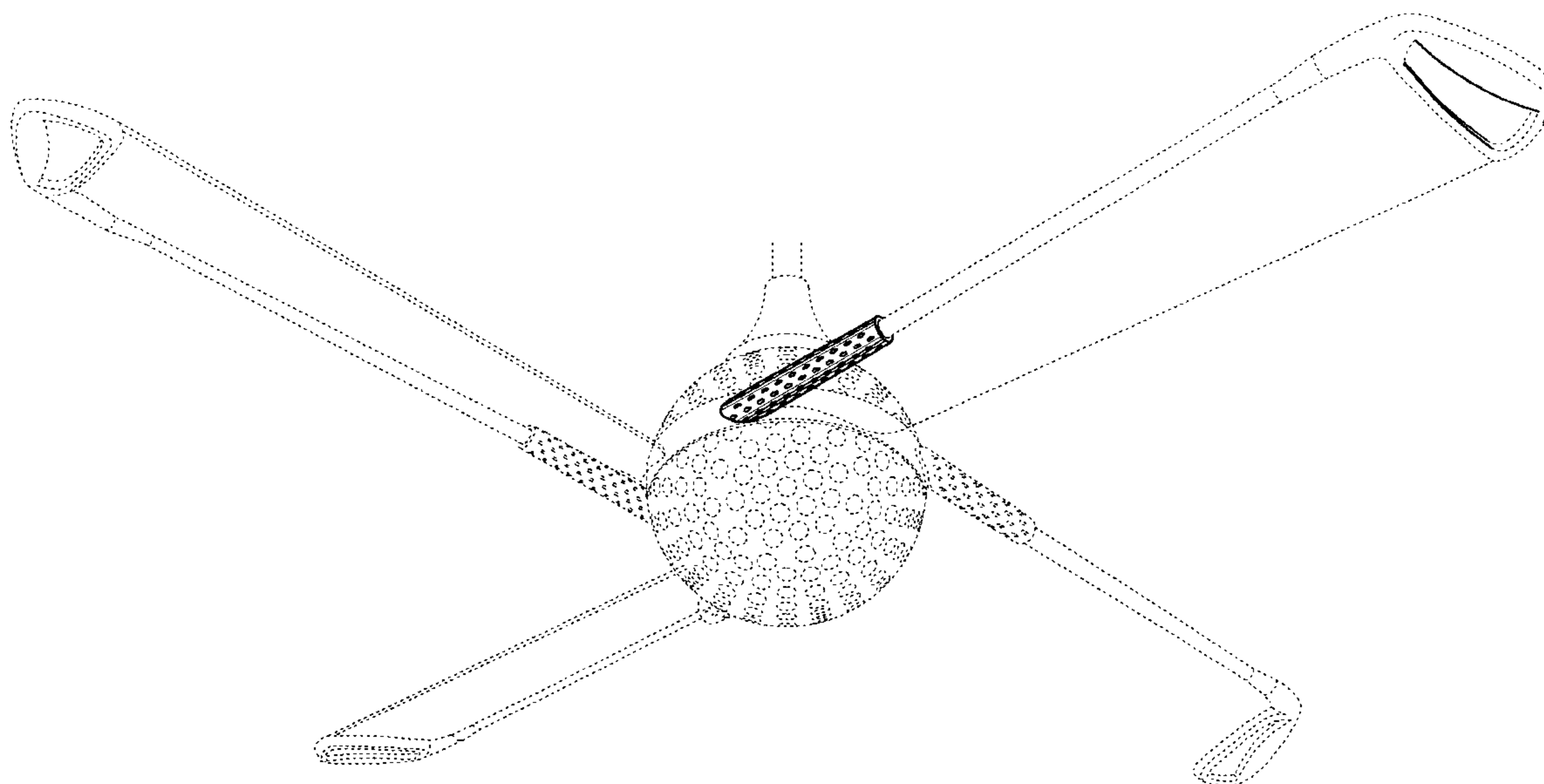
FIG. 6 is an enlarged bottom view thereof;

FIG. 7 is an enlarged top view thereof;

FIG. 8 is a greatly enlarged side elevation view thereof; and, FIG. 9 is a greatly enlarged perspective view from below thereof.

The broken line showing of environmental structure in FIGS. 1–9 is for illustrative purposes only and forms no part of the claimed design.

1 Claim, 6 Drawing Sheets



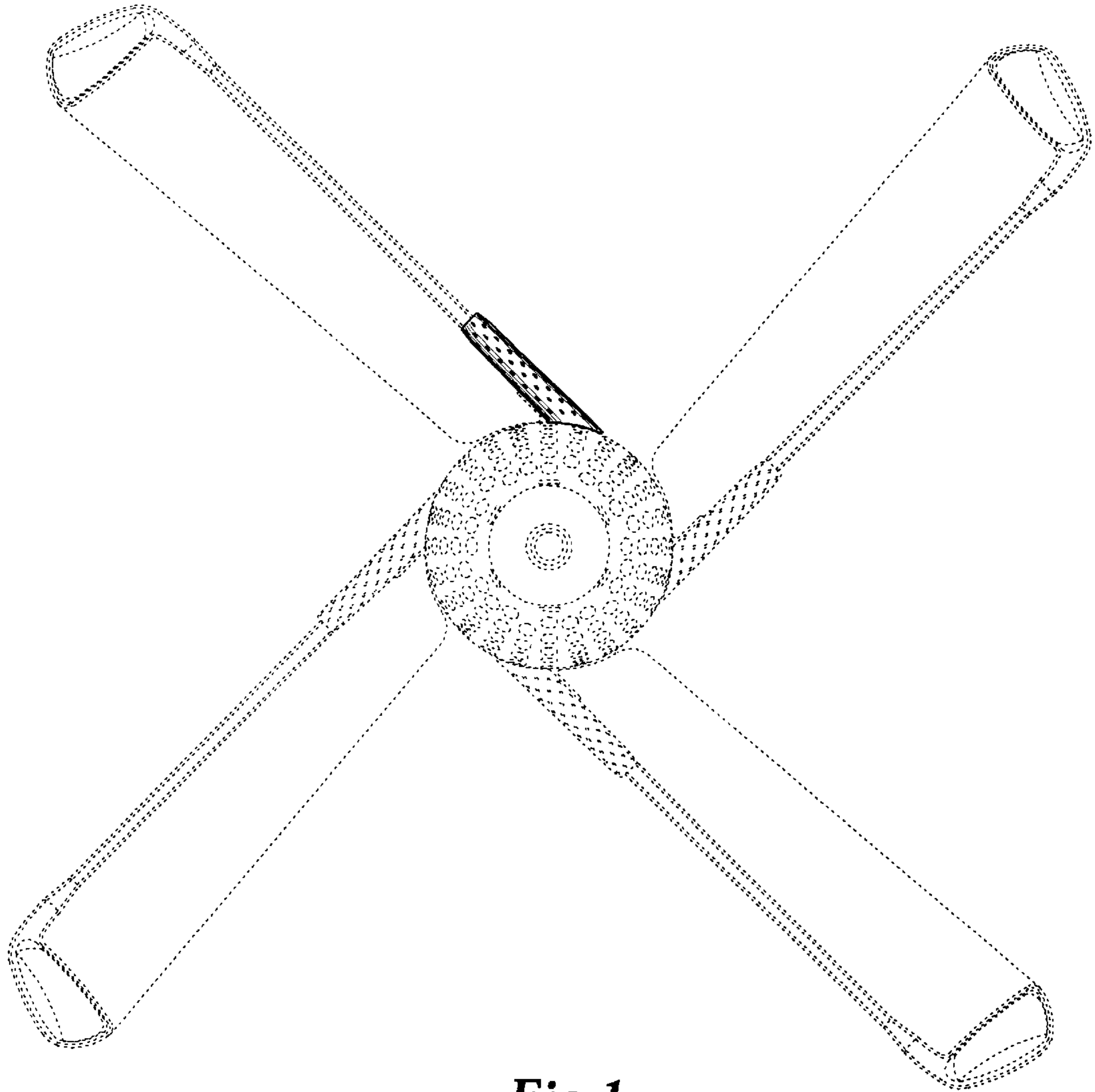


Fig.1

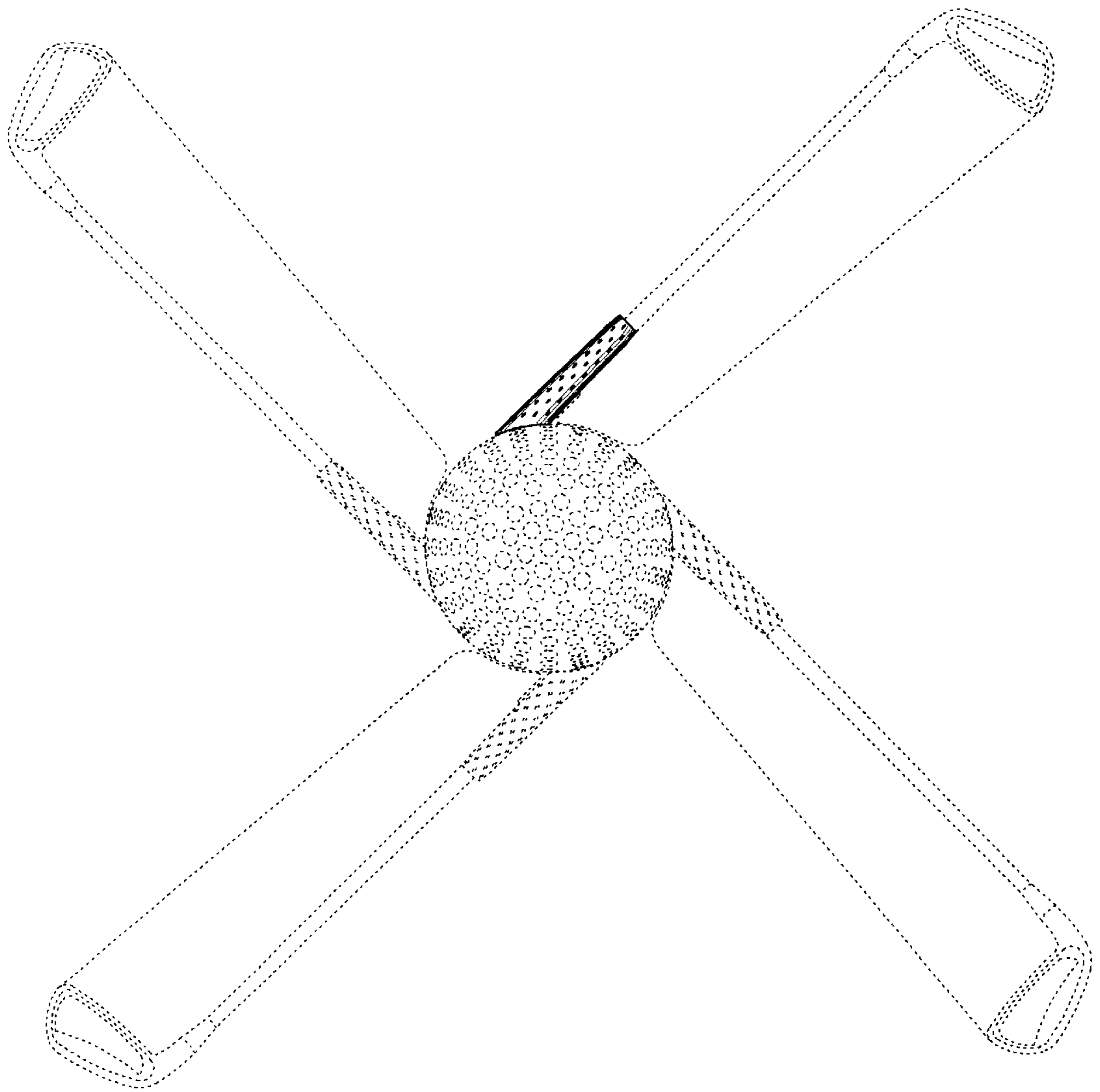


Fig.2

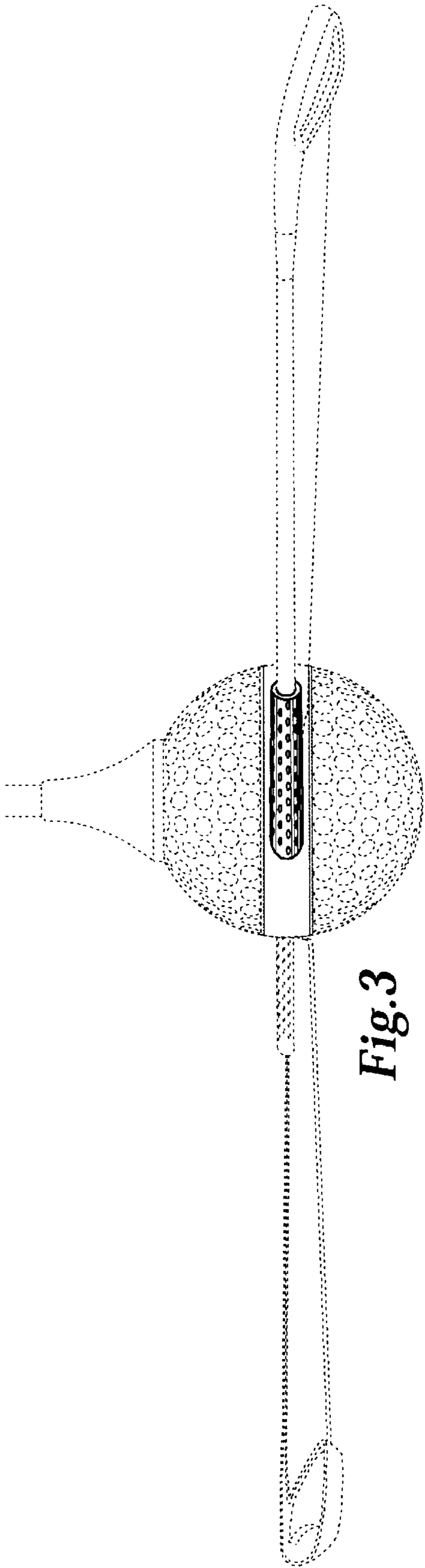


Fig. 3

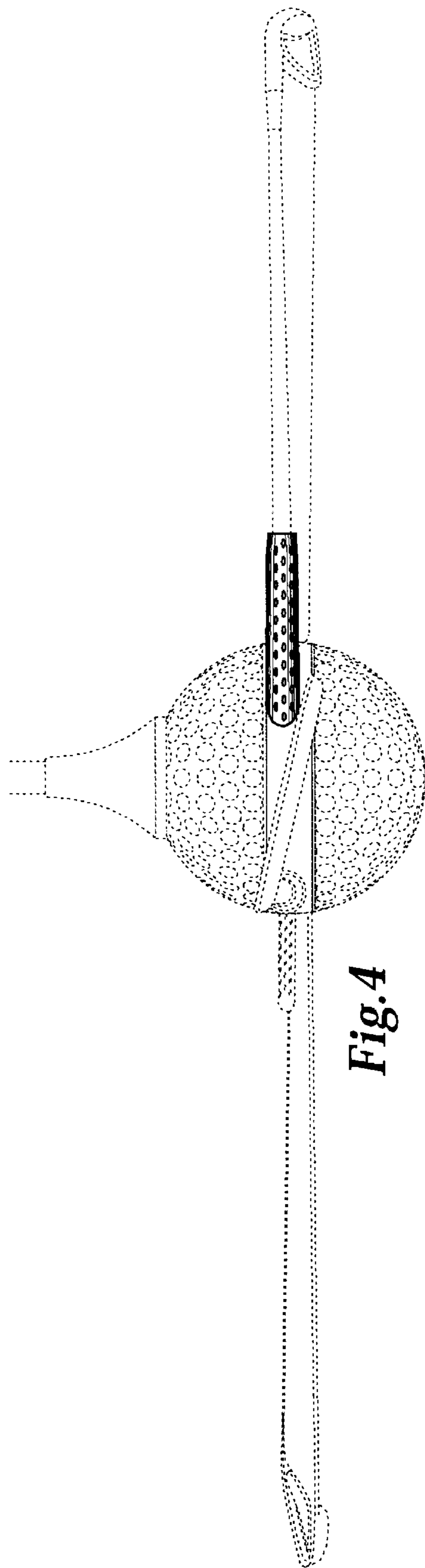


Fig. 4

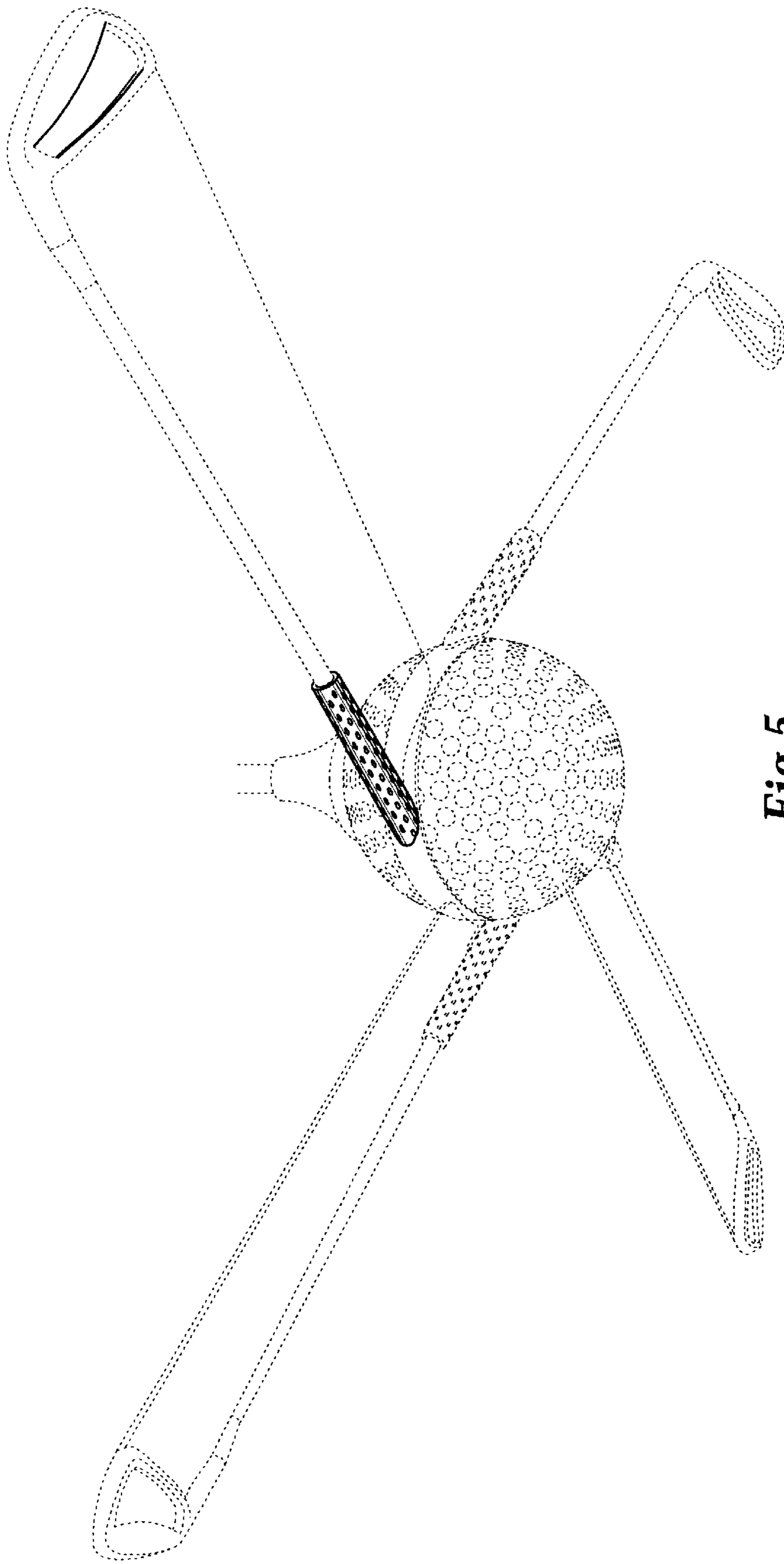
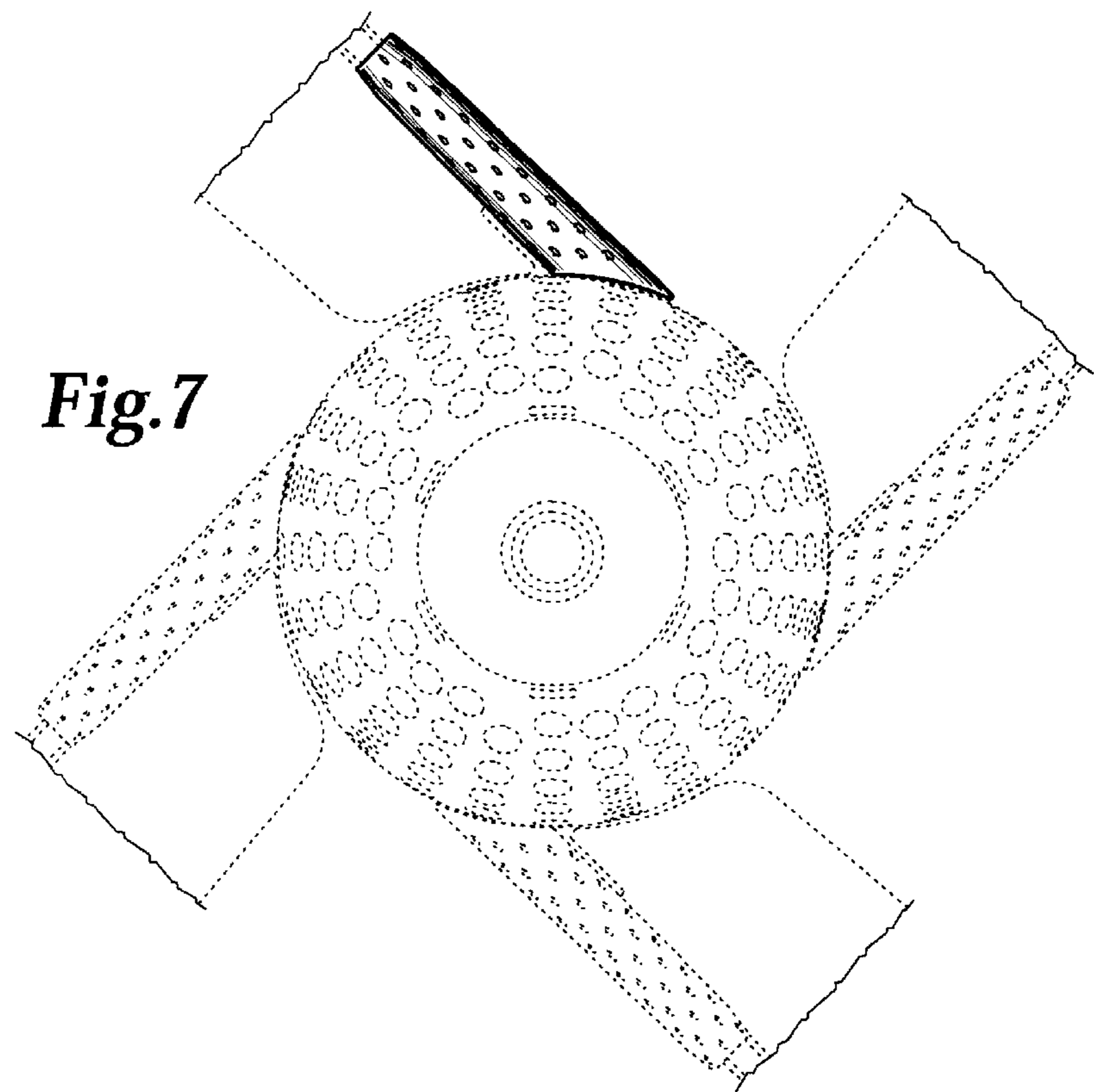
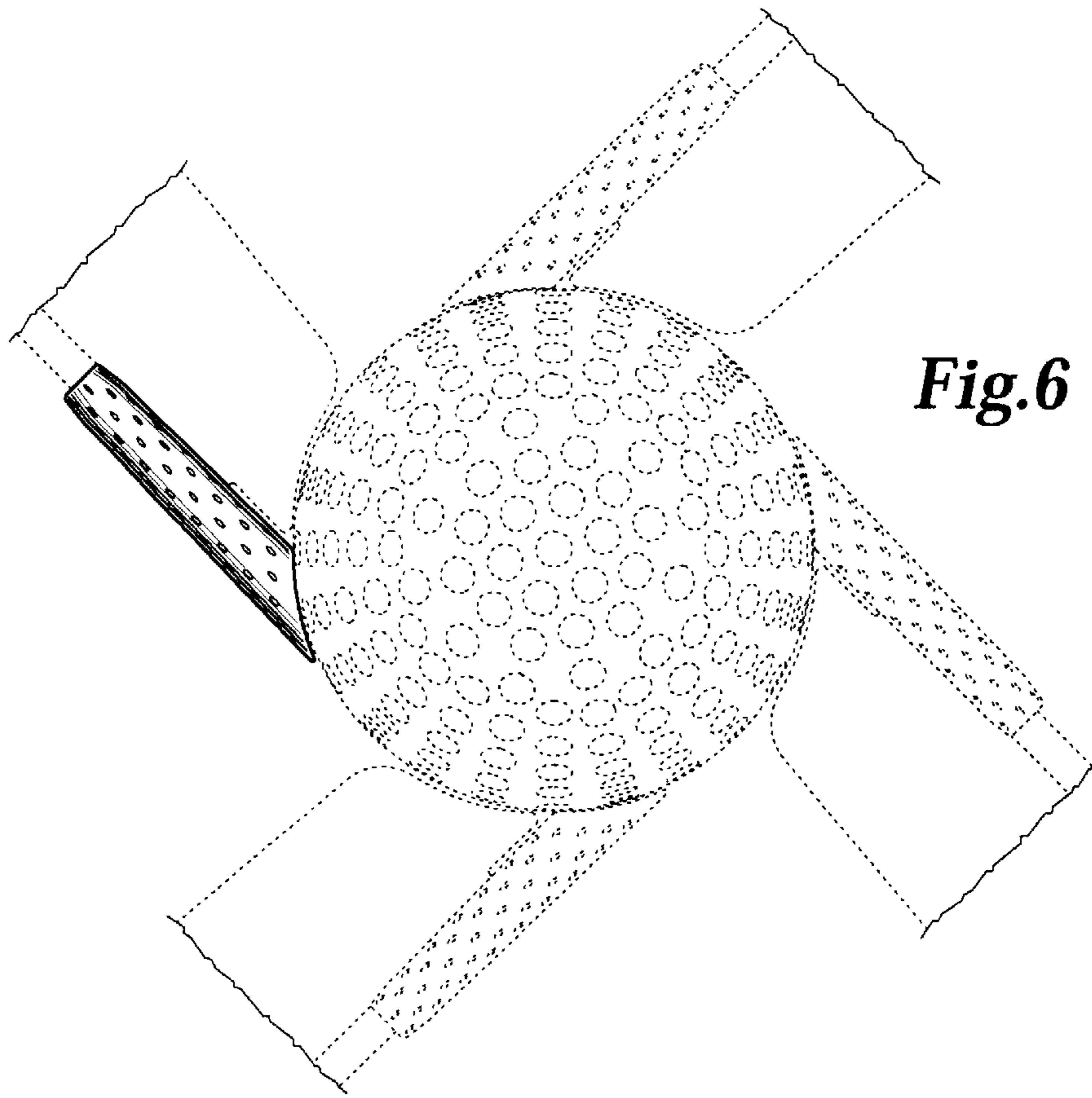


Fig.5



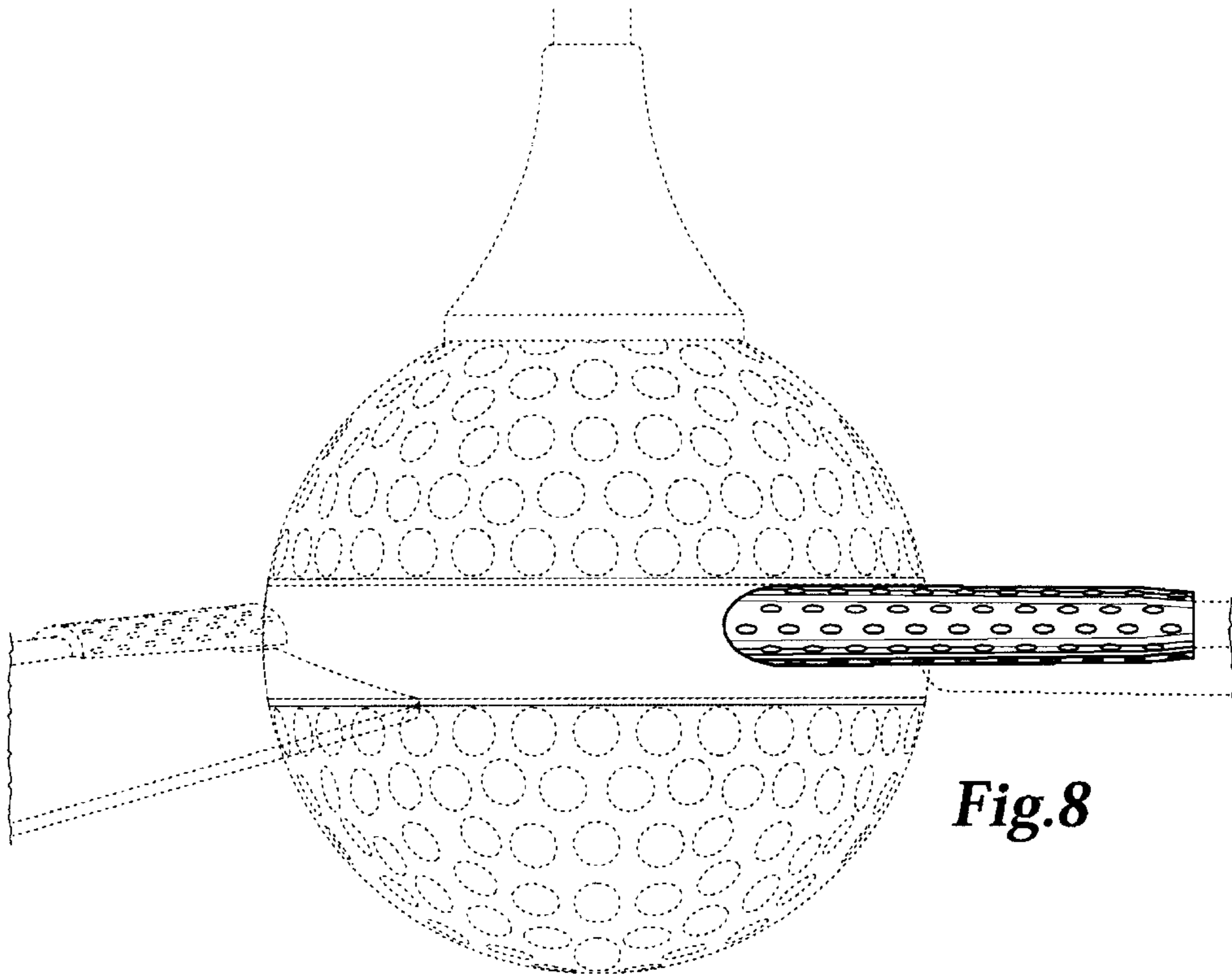


Fig.8

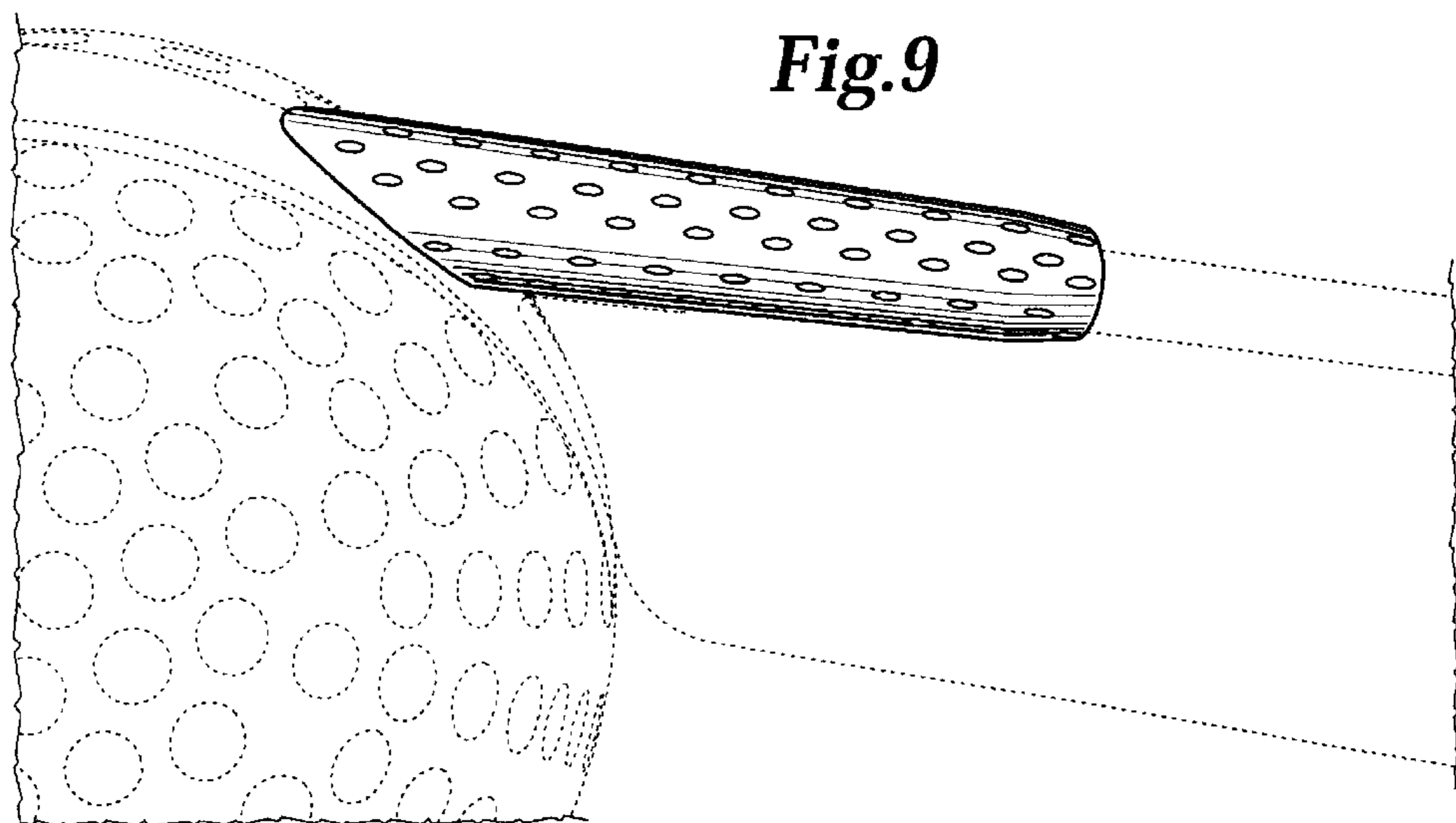


Fig.9

UNITED STATES PATENT AND TRADEMARK OFFICE
CERTIFICATE OF CORRECTION

PATENT NO. : Des. 476,409 S
DATED : June 24, 2003
INVENTOR(S) : Mark Gajewski

Page 1 of 1

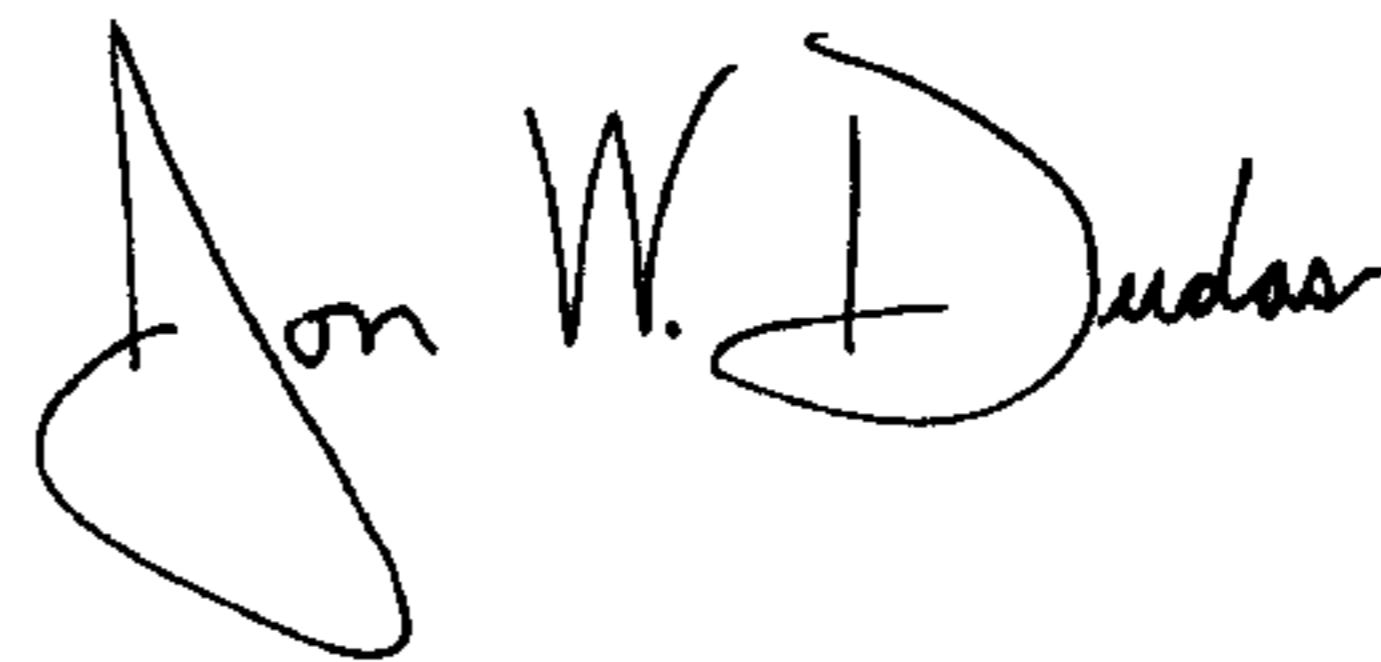
It is certified that error appears in the above-identified patent and that said Letters Patent is hereby corrected as shown below:

Title page,

Item [56], **References Cited**, OTHER PUBLICATIONS, insert -- Minka Lighting, Inc.;
MinkaAire Two Thousand Two; April 22, 2002; pages 24, 25; Minka Lighting, Inc.;
U.S.A. --

Signed and Sealed this

Twentieth Day of January, 2004

A handwritten signature in black ink that reads "Jon W. Dudas". The signature is written in a cursive style with a large, looped initial "J".

JON W. DUDAS
Acting Director of the United States Patent and Trademark Office