



US00D476408S

(12) **United States Design Patent**
Hidalgo

(10) **Patent No.:** **US D476,408 S**

(45) **Date of Patent:** **** Jun. 24, 2003**

(54) **COMBINATION CEILING FAN AND LIGHT FIXTURE**

Minka Lighting, Inc.; MinkaAire Two Thousand Two; Apr. 22, 2002; pp. 14, 15; Minka Lighting, Inc.; U.S.A.

(75) Inventor: **Rolando Hidalgo**, Orange, CA (US)

* cited by examiner

(73) Assignee: **Minka Lighting, Inc.**, Corona, CA (US)

Primary Examiner—Lisa Lichtenstein

(74) *Attorney, Agent, or Firm*—Jenkins & Gilchrist, P.C.

(**) Term: **14 Years**

(57) **CLAIM**

(21) Appl. No.: **29/160,664**

The ornamental design for the combination ceiling fan and light fixture, as shown and described.

(22) Filed: **May 14, 2002**

DESCRIPTION

(51) **LOC (7) Cl.** **23-04**

(52) **U.S. Cl.** **D23/411**

(58) **Field of Search** D23/411, 377,
D23/379, 385, 413; 416/5, 170 R; 417/423.14;
D26/72, 81–86, 88, 59, 51

FIG. 1 is a top view of the combination ceiling fan and light fixture in accordance with my design;

FIG. 2 is a rear elevation view of the combination ceiling fan and light fixture in accordance with my design;

FIG. 3 is a bottom view of the combination ceiling fan and light fixture in accordance with my design;

FIG. 4 is a front elevation view of the combination ceiling fan and light fixture in accordance with my design; and,

FIG. 5 is a side elevation view of the combination ceiling fan and light fixture in accordance with my design.

(56) **References Cited**

U.S. PATENT DOCUMENTS

D347,887 S	*	6/1994	Liu	D23/377
D394,103 S	*	5/1998	Lee	D23/411
D427,672 S	*	7/2000	Lee	D23/377
D448,840 S		10/2001	Gajewski	D23/377

The right and left elevational views are mirror images of each other.

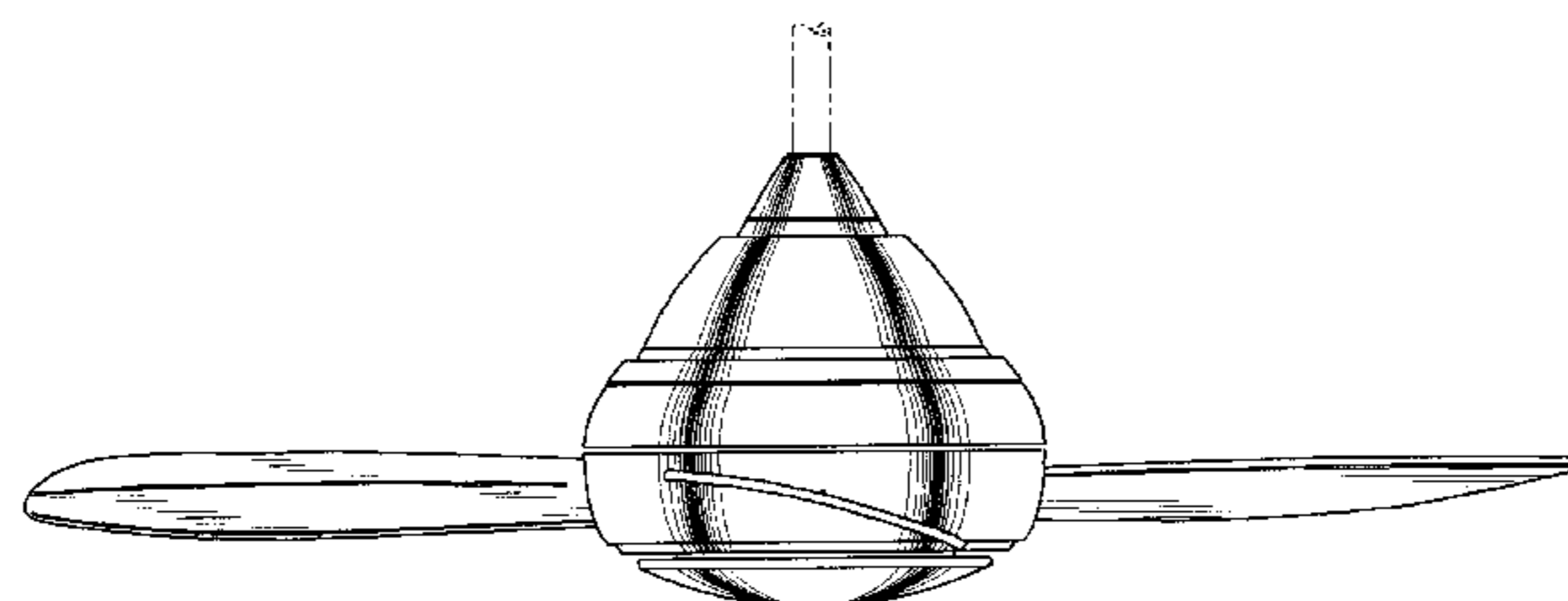
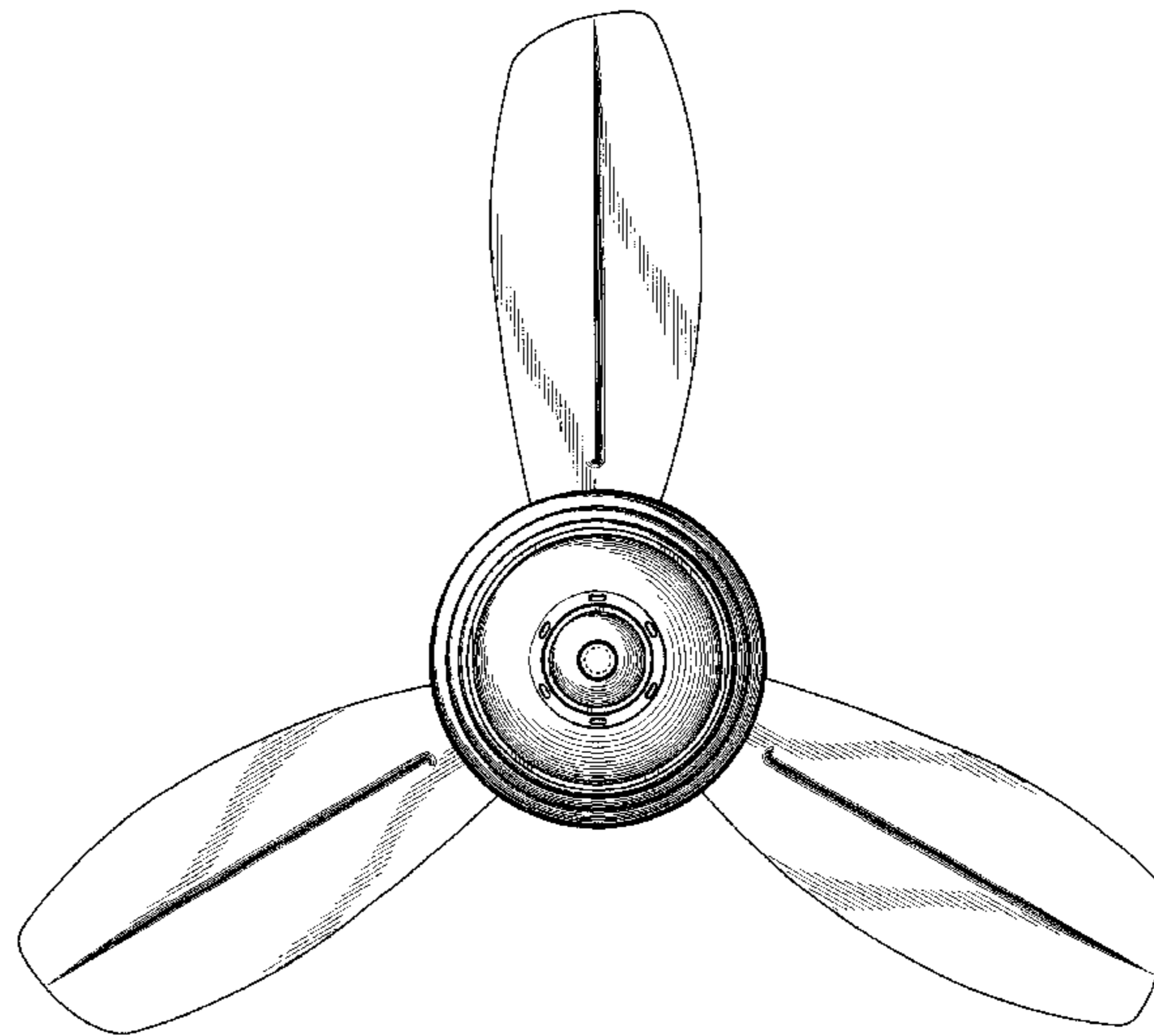
OTHER PUBLICATIONS

Minka Lighting, Inc.; MinkaAire; 1997 (estimated date of publication); pp. 6, 7; Minka Lighting, Inc.; U.S.A.

Minka Lighting, Inc.; MinkaAire Two Thousand One; Oct. 5, 2000; pp. 8, 9; Minka Lighting, Inc.; U.S.A.

The broken line showing of environmental structure in FIGS. 1–5 is for illustrative purposes only and forms no part of the claimed design.

1 Claim, 3 Drawing Sheets



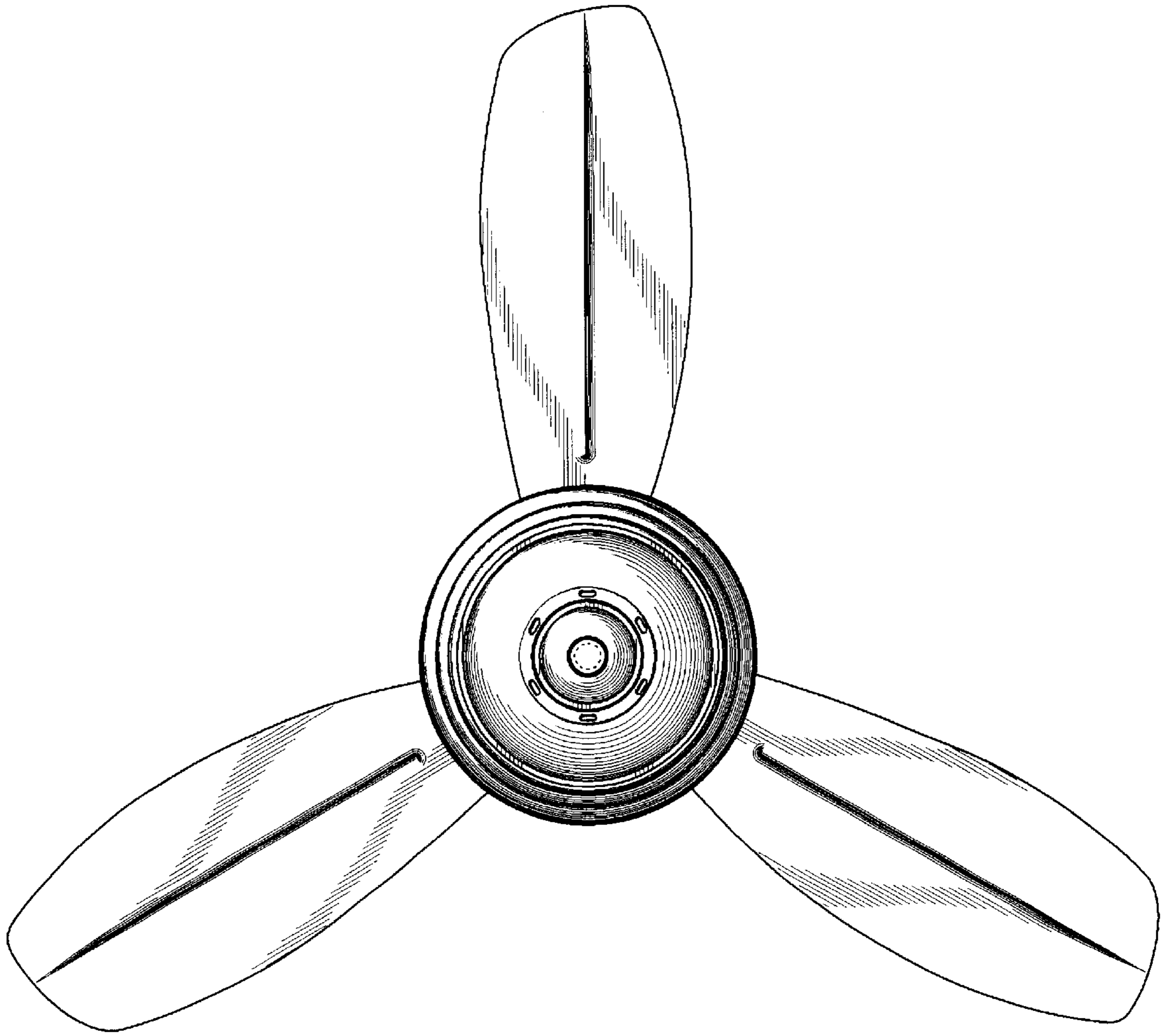


Fig.1

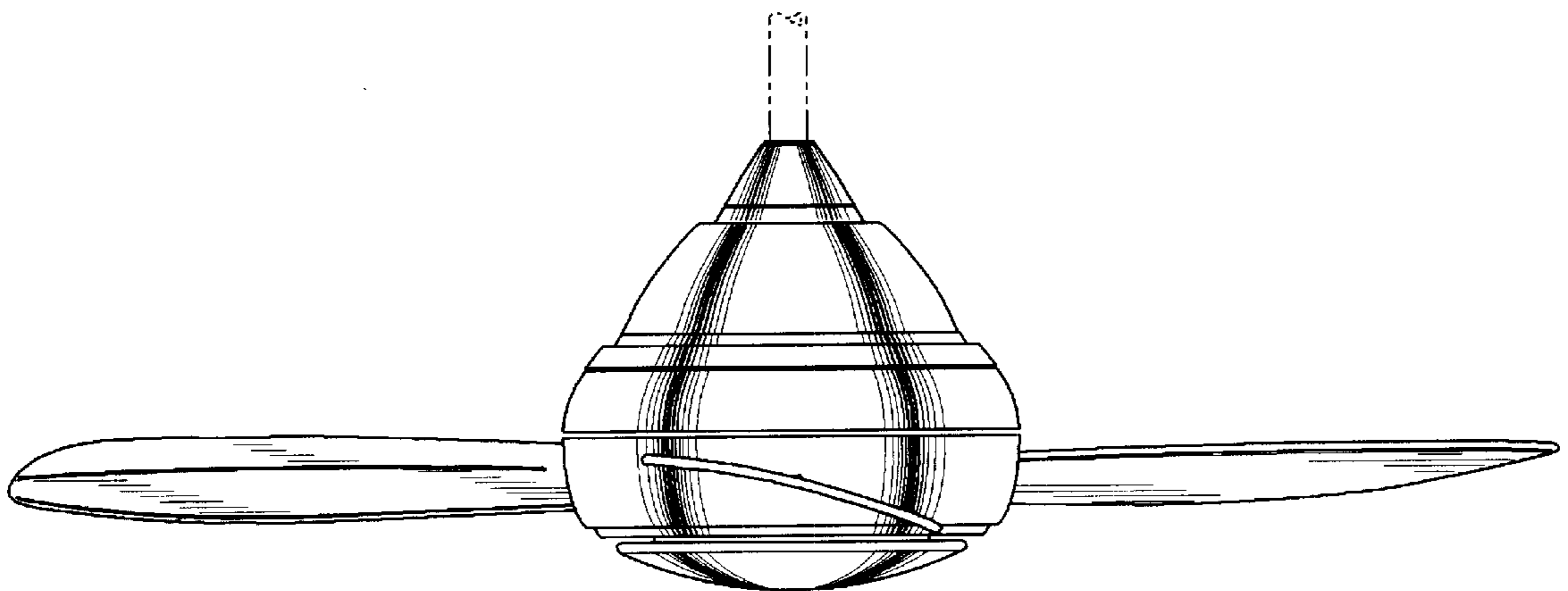


Fig.2

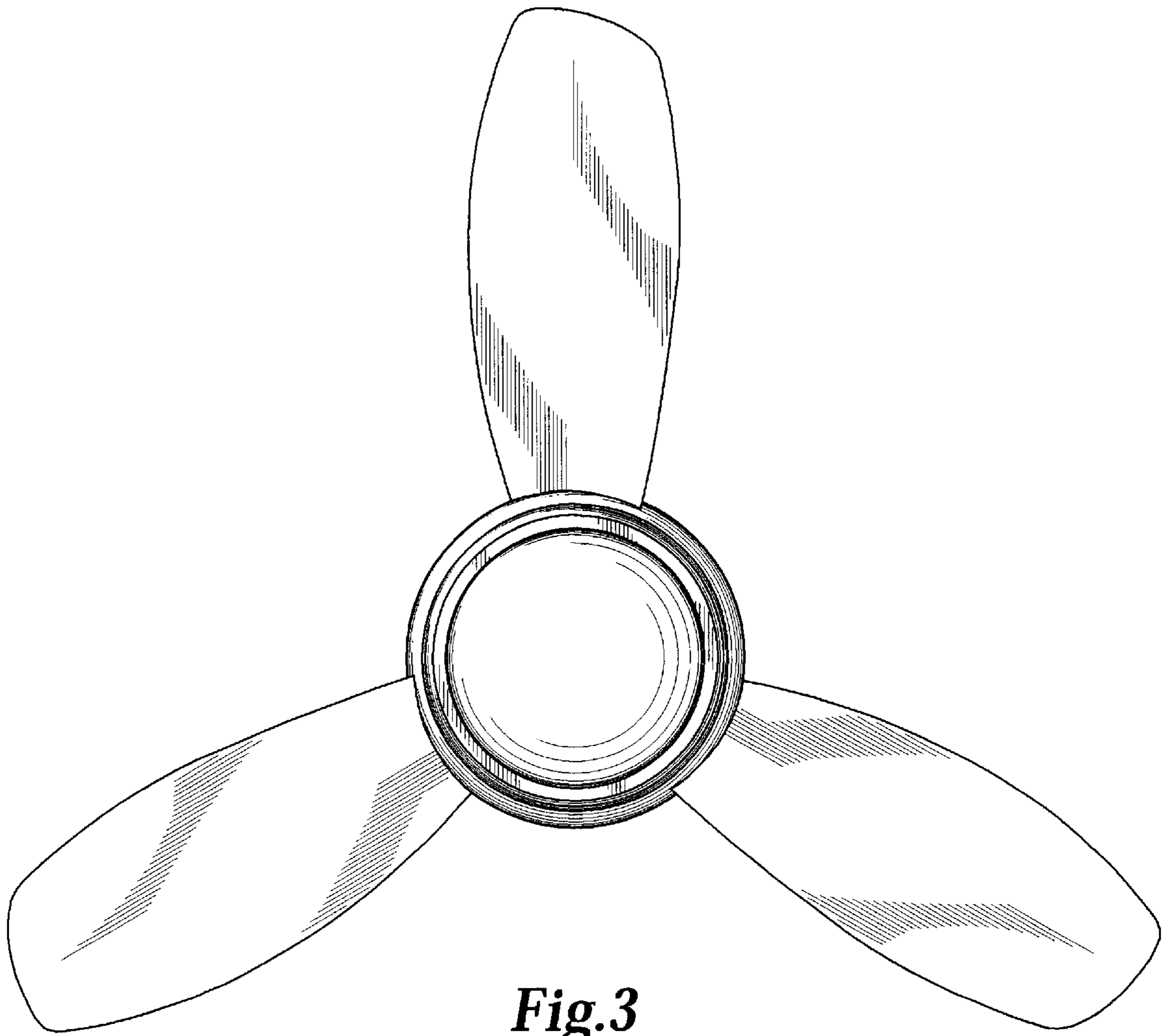


Fig.3

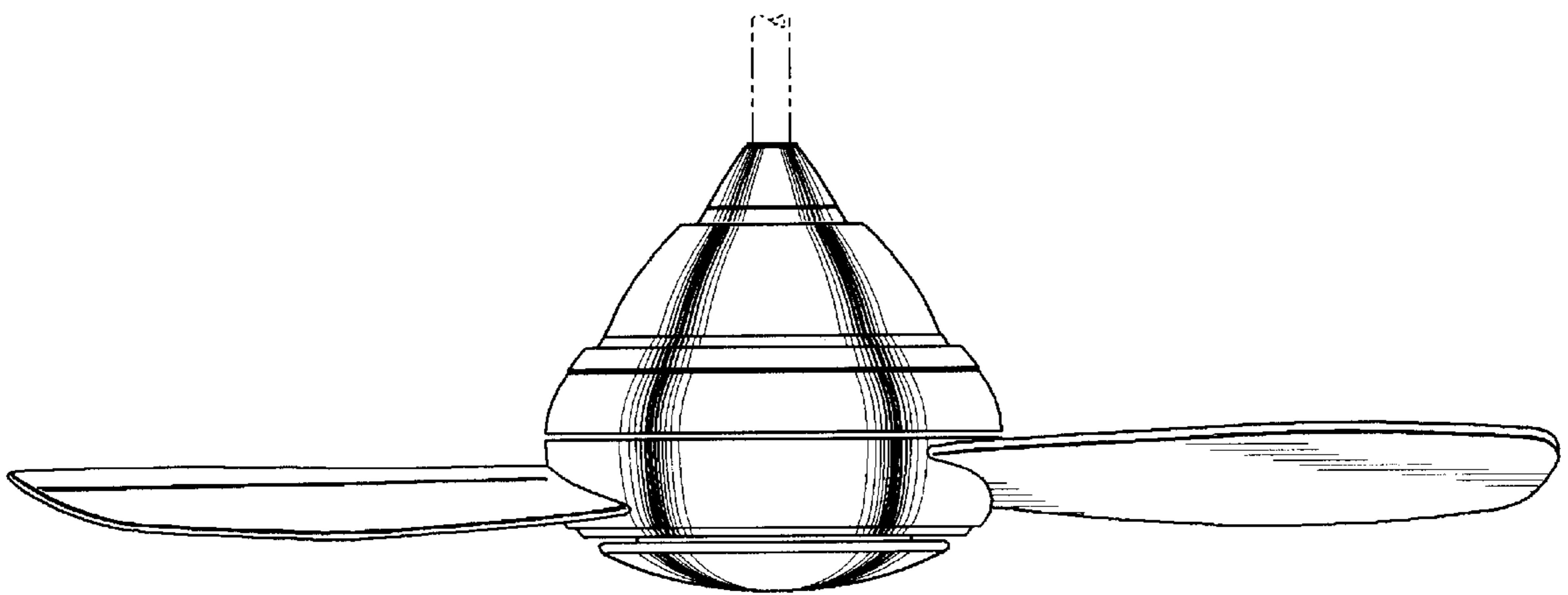


Fig.4

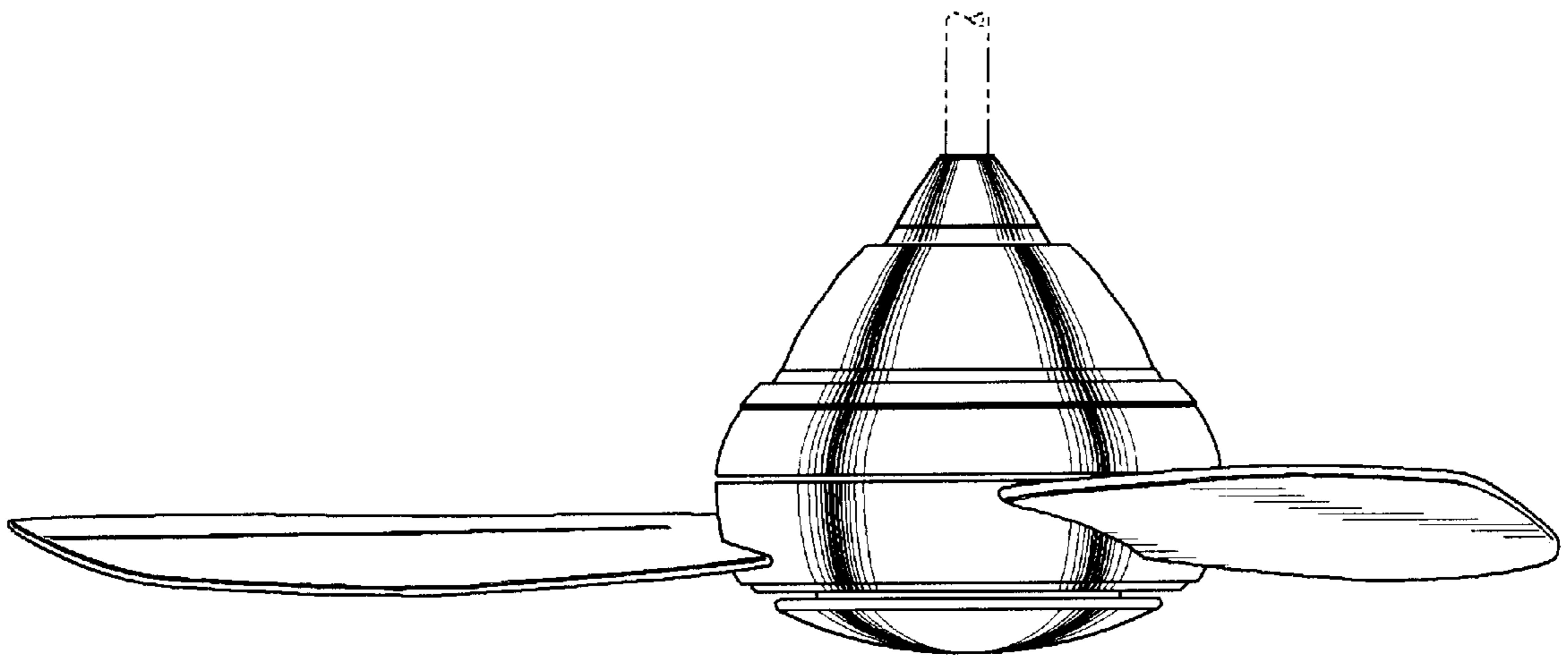


Fig.5