



US00D476407S

(12) **United States Design Patent**  
**Snyder**

(10) **Patent No.:** **US D476,407 S**

(45) **Date of Patent:** **\*\* Jun. 24, 2003**

(54) **DAMPER FOR ROUND DUCT**

(75) Inventor: **Darryl L. Snyder**, Canton, OH (US)

(73) Assignee: **Snyder National Corporation**, Canton, OH (US)

(\*\*) Term: **14 Years**

(21) Appl. No.: **29/161,143**

(22) Filed: **May 22, 2002**

(51) **LOC (7) Cl.** ..... **23-04**

(52) **U.S. Cl.** ..... **D23/388**

(58) **Field of Search** ..... D23/386-390,  
D23/393, 327, 354, 412, 499; 52/95, 473;  
416/244 R, 447 R; D25/152, 153, 155;  
454/250, 237, 275-277, 309, 310-312,  
315, 317

(56) **References Cited**

**U.S. PATENT DOCUMENTS**

D86,776 S	*	4/1932	Klomprens	.....	D23/388
D165,983 S	*	2/1952	Kennedy	.....	D23/390
3,577,654 A	*	5/1971	Marley	.....	454/309 X
4,335,647 A	*	6/1982	Timmons	.....	454/311 X
D317,819 S	*	6/1991	Sello	.....	D23/390
D372,775 S	*	8/1996	Schuler	.....	D23/412
D437,405 S	*	2/2001	Schrank	.....	D23/393

\* cited by examiner

*Primary Examiner*—Louis S. Zarfes

*Assistant Examiner*—Robert A. Delhanty

(74) *Attorney, Agent, or Firm*—Sand & Sebolt

(57) **CLAIM**

The ornamental design for a damper for round duct, as shown and described.

**DESCRIPTION**

FIG. 1 is a perspective view of a first embodiment of the damper for round duct showing my new design.

FIG. 2 is a top plan view of the damper for round duct of FIG. 1.

FIG. 3 is an end view of FIG. 2.

FIG. 4 is a perspective view of a second embodiment for a damper for round duct showing my new design.

FIG. 5 is a top plan view of the damper for round duct of FIG. 4.

FIG. 6 is a front elevation view of FIG. 5.

FIG. 7 is a right side view of FIG. 5; the left side being a mirror image thereof.

FIG. 8 is a rear view of FIG. 5.

FIG. 9 is a bottom plan view of FIG. 5.

FIG. 10 is a perspective view of a third embodiment for a damper for round duct showing my new design.

FIG. 11 is a top plan view of the damper for round duct of FIG. 10.

FIG. 12 is a front elevation view of FIG. 11.

FIG. 13 is a right side view of FIG. 11; the left side being a mirror image thereof.

FIG. 14 is a rear view of FIG. 11.

FIG. 15 is a bottom plan view of FIG. 11.

FIG. 16 is a perspective view of a fourth embodiment for a damper for round duct showing my new design.

FIG. 17 is a top plan view of the damper for round duct of FIG. 16.

FIG. 18 is a front elevation view of FIG. 17.

FIG. 19 is a right side view of FIG. 17; the left side being a mirror image thereof.

FIG. 20 is a rear view of FIG. 17.

FIG. 21 is a bottom plan view of FIG. 17.

FIG. 22 is a perspective view of a fifth embodiment for a damper for round duct showing my new design.

FIG. 23 is a top plan view of the damper for round duct of FIG. 22.

FIG. 24 is a front elevation view of FIG. 23.

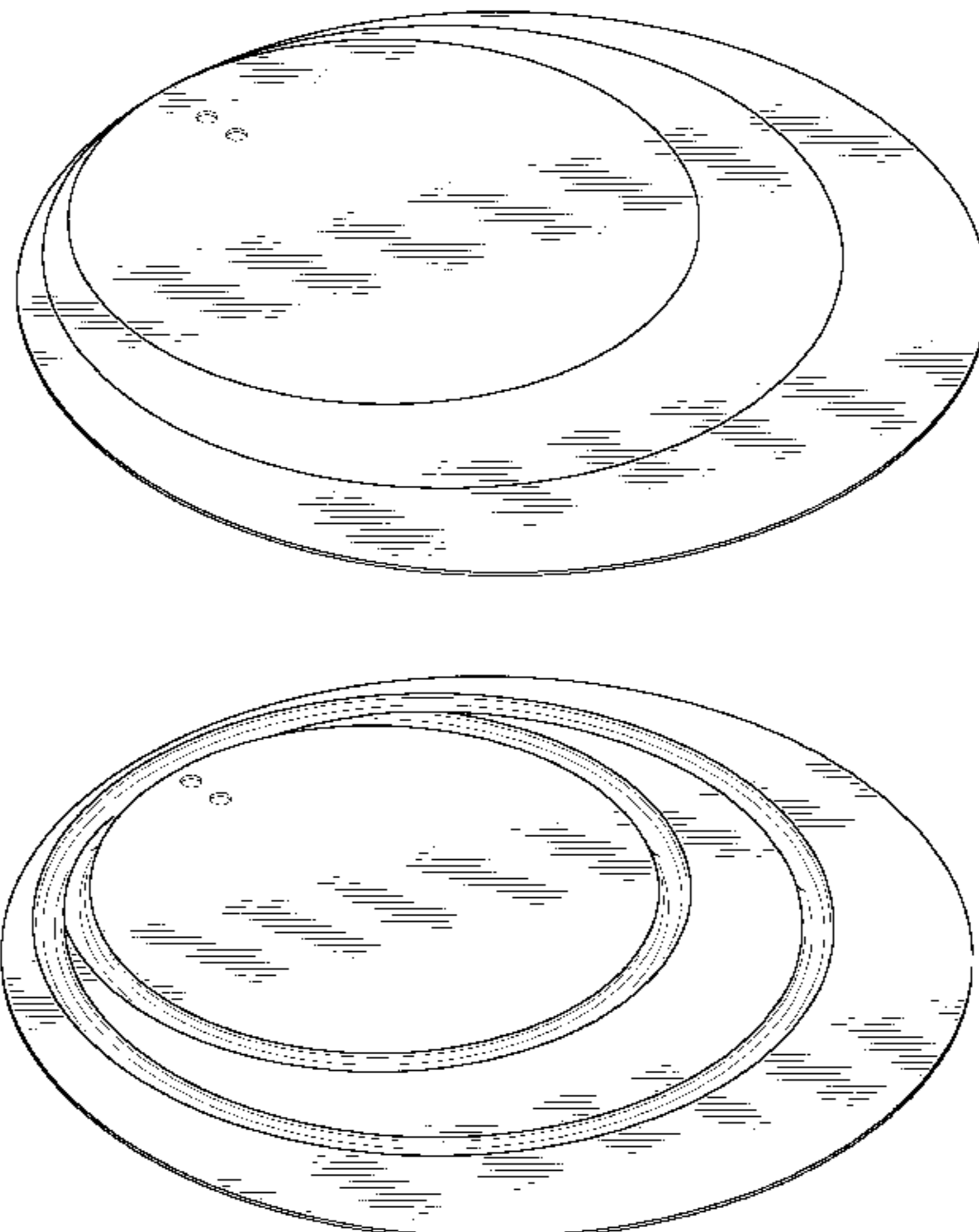
FIG. 25 is a right side view of FIG. 23; the left side being a mirror image thereof.

FIG. 26 is a rear view of FIG. 23; and,

FIG. 27 is a bottom plan view of FIG. 23.

The dashed lines form no part of the claimed invention.

**1 Claim, 14 Drawing Sheets**



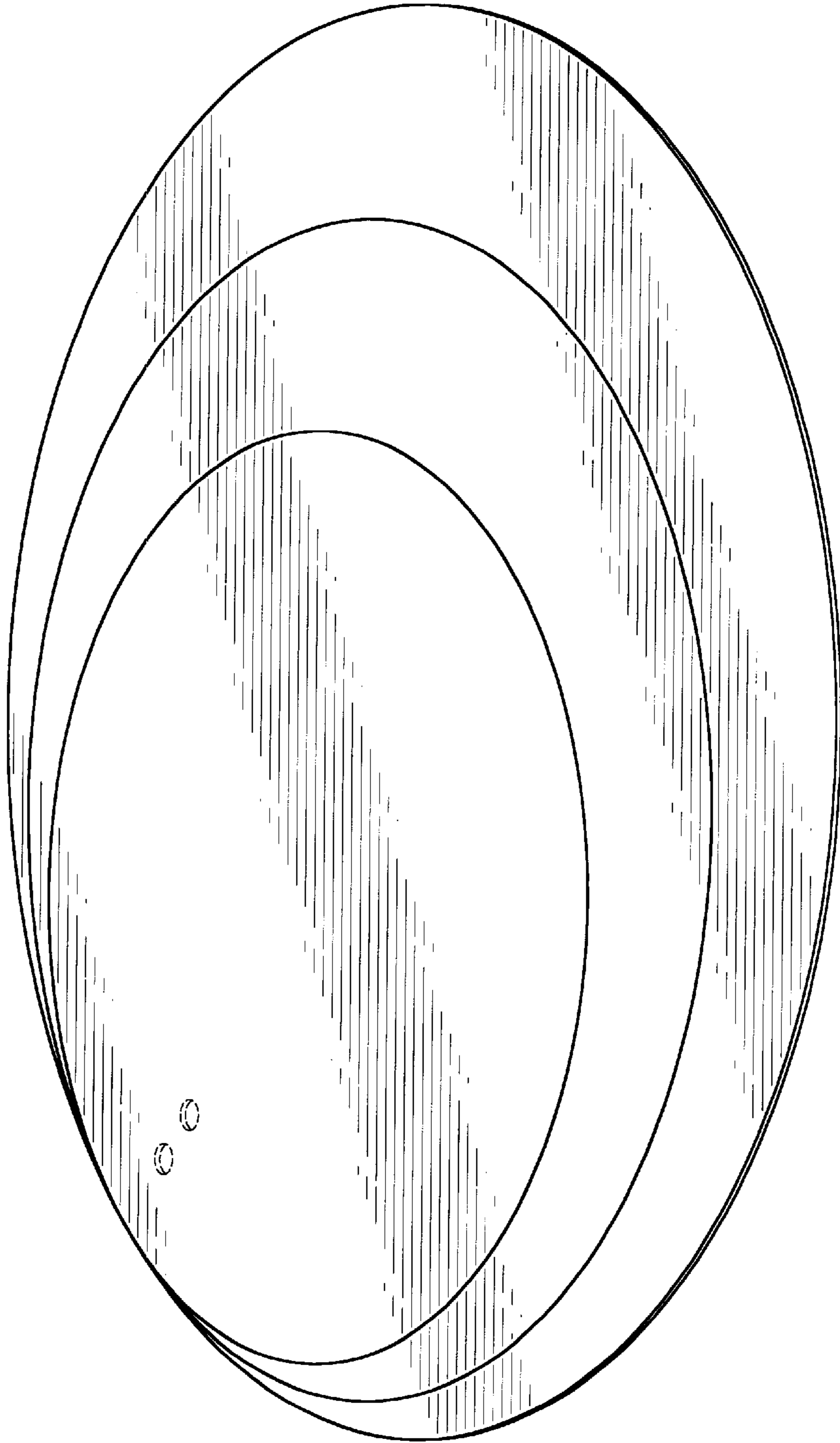


FIG-1

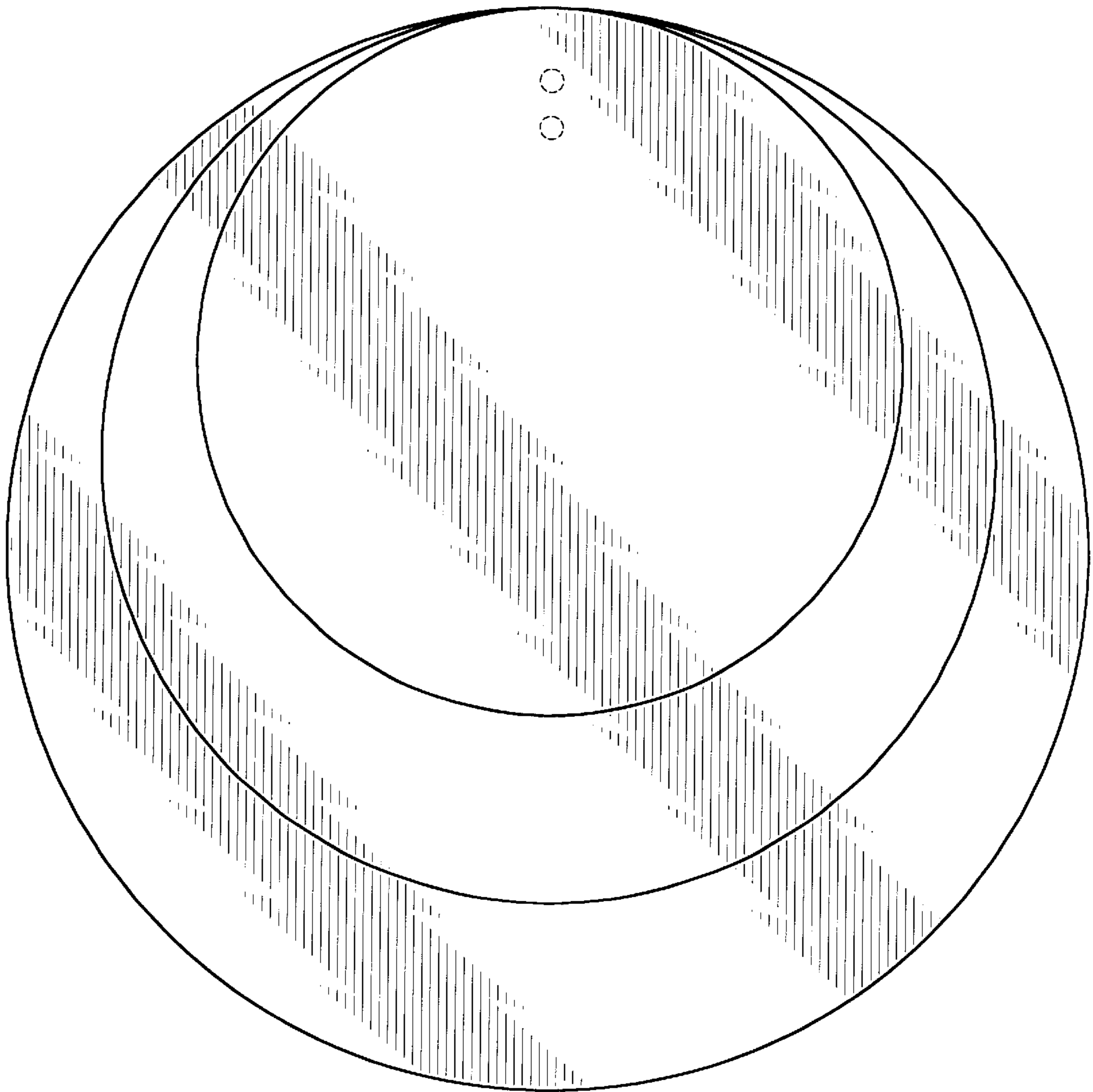


FIG-2

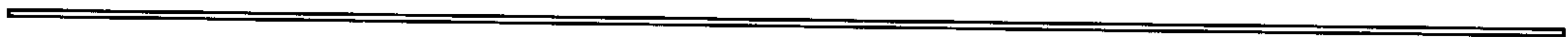


FIG-3

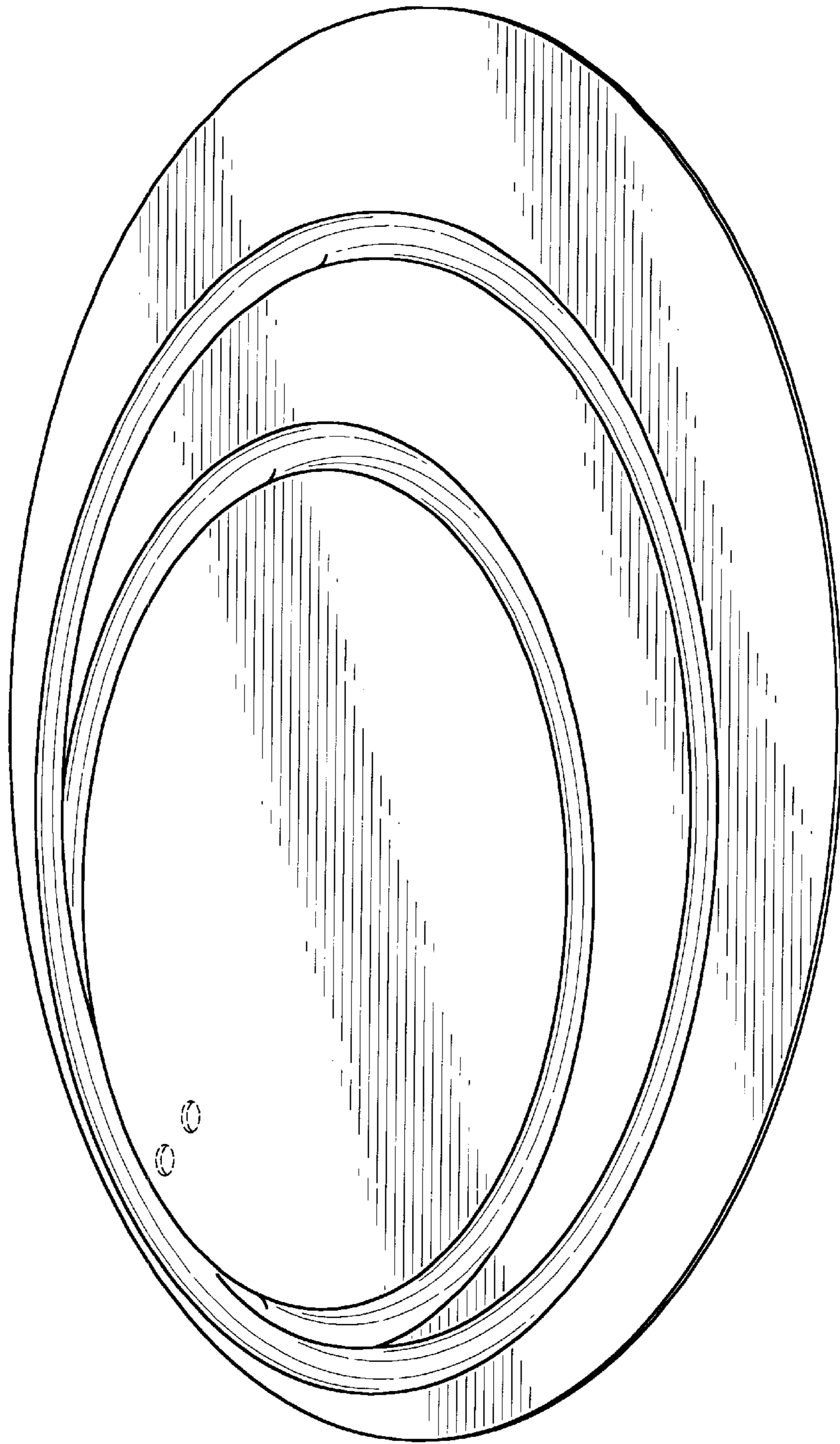


FIG-4

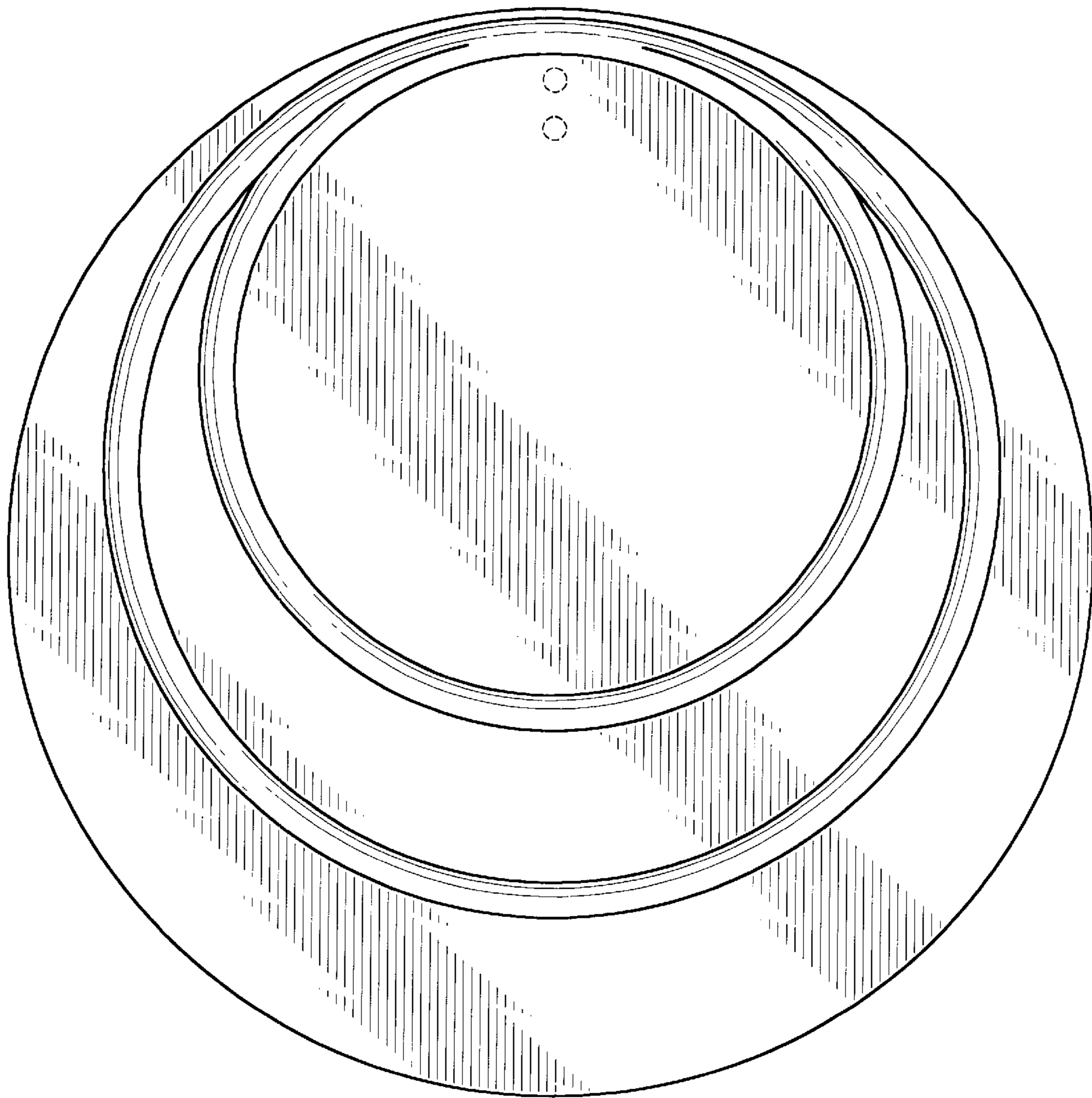


FIG-5

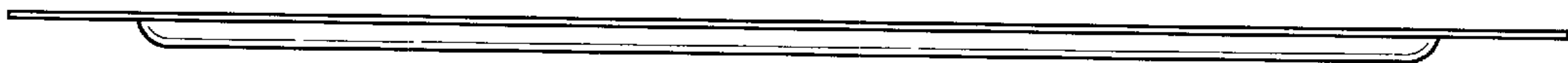


FIG-6

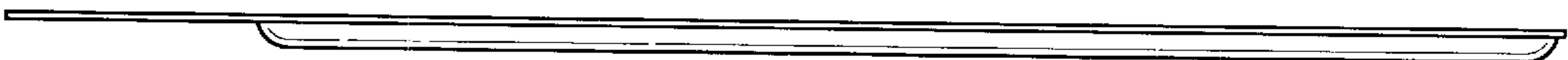


FIG-7

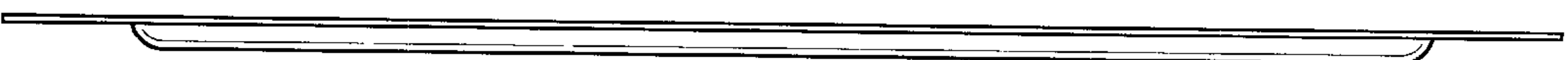


FIG-8

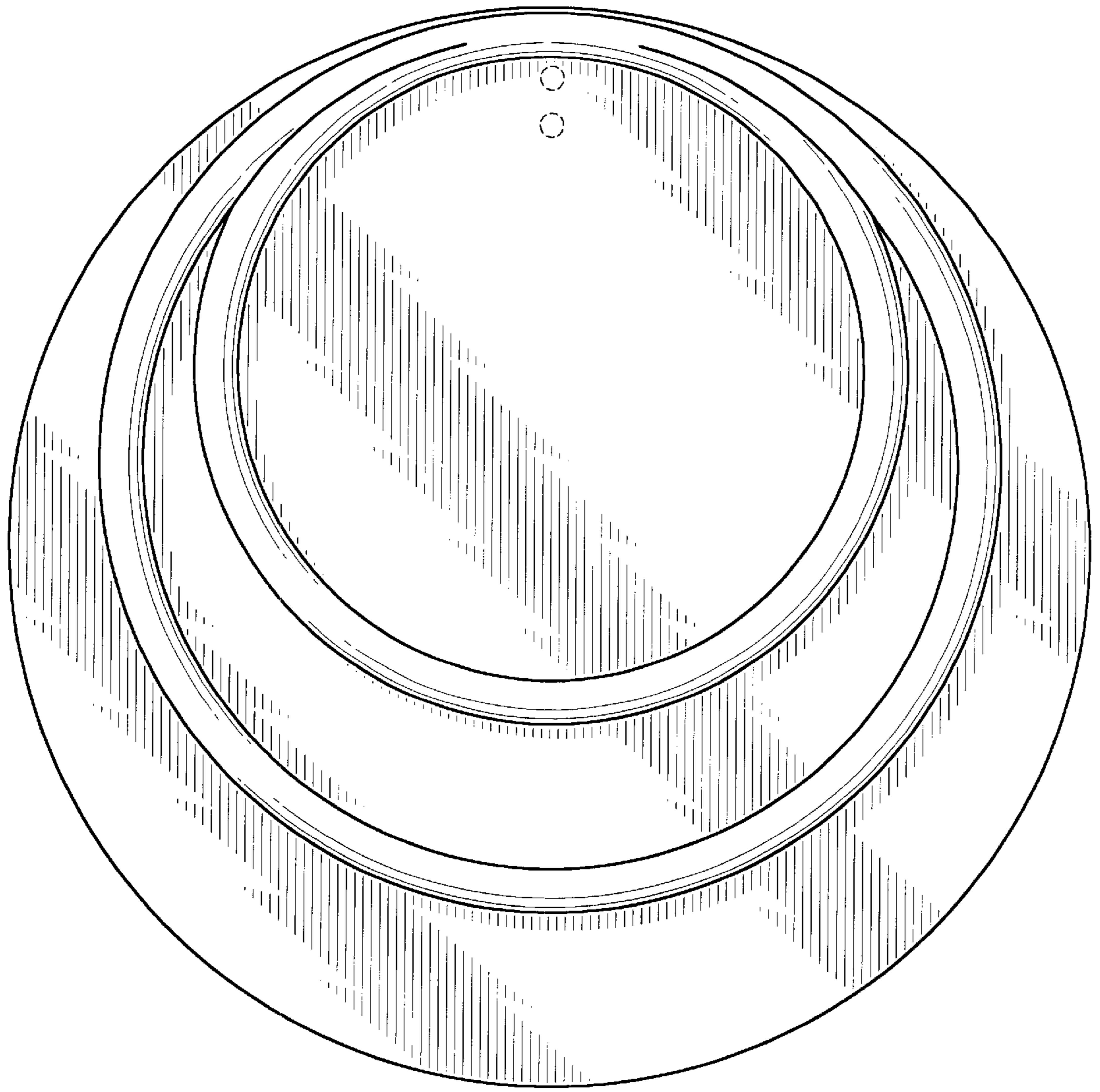


FIG-9

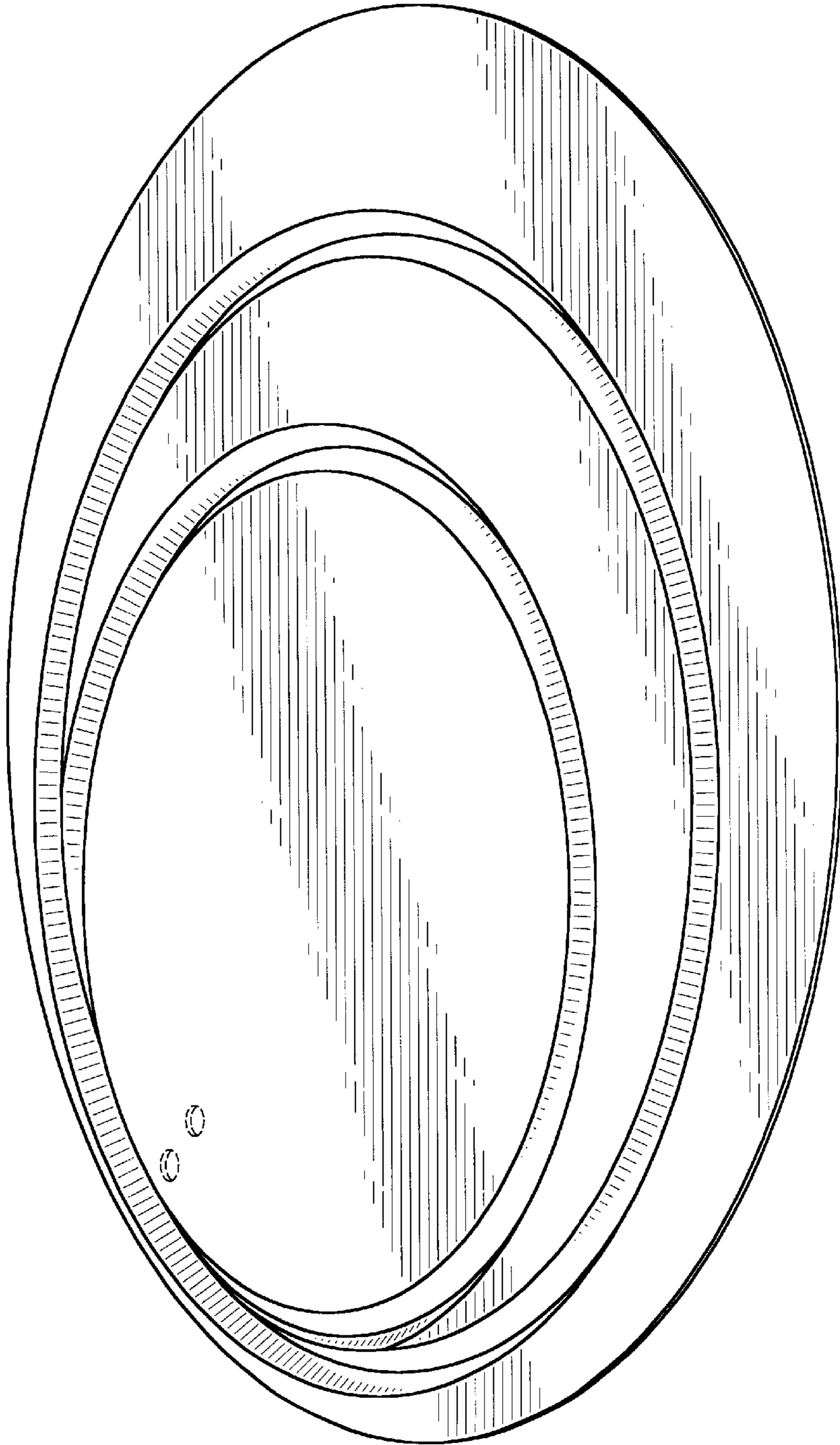


FIG-10

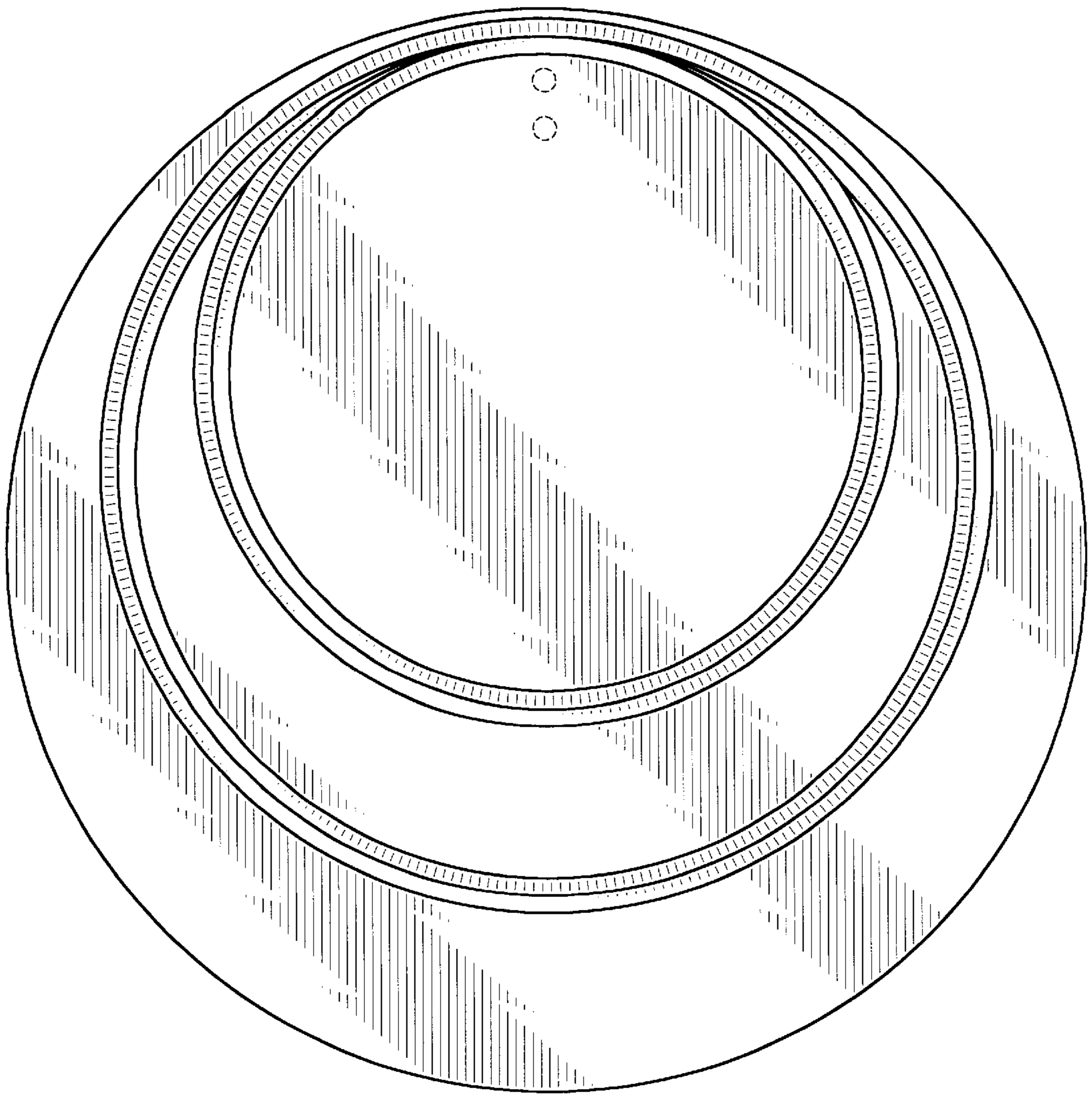


FIG-11

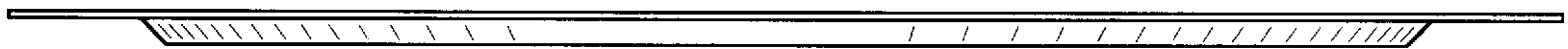


FIG-12

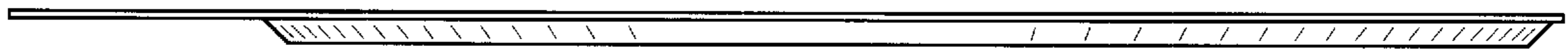


FIG-13

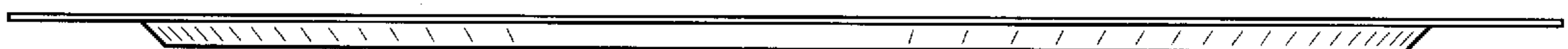


FIG-14



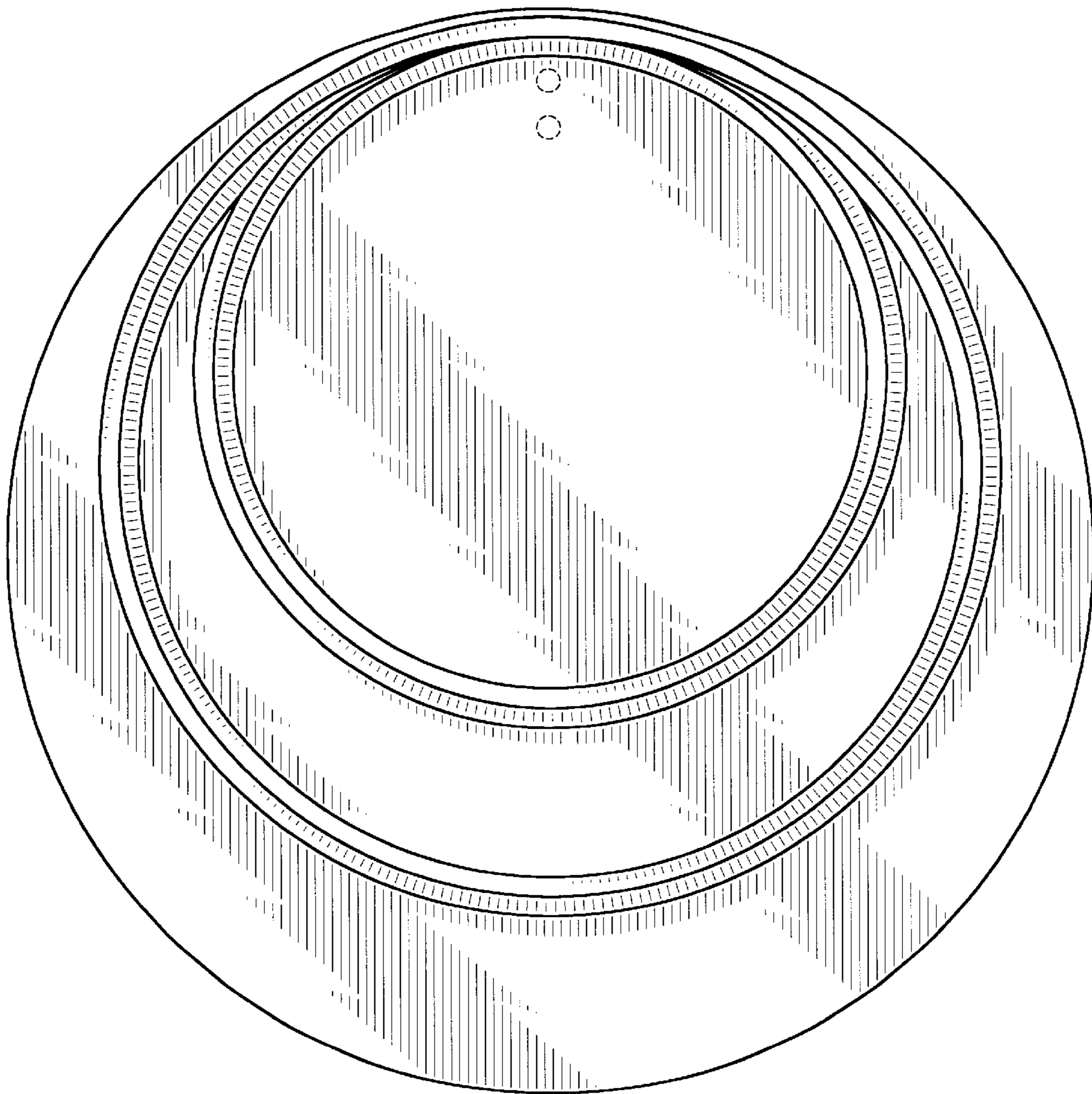


FIG-15

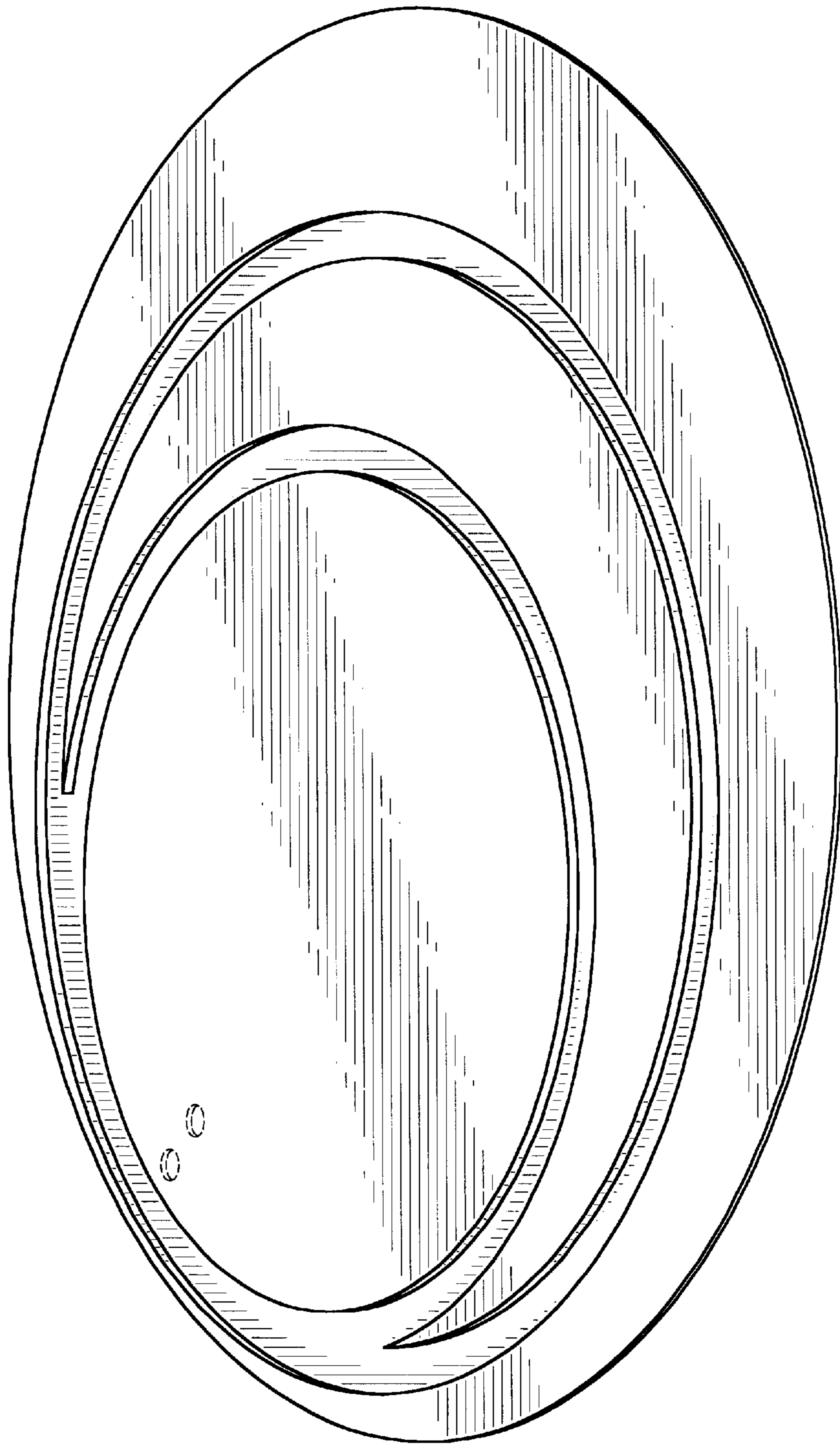


FIG-16

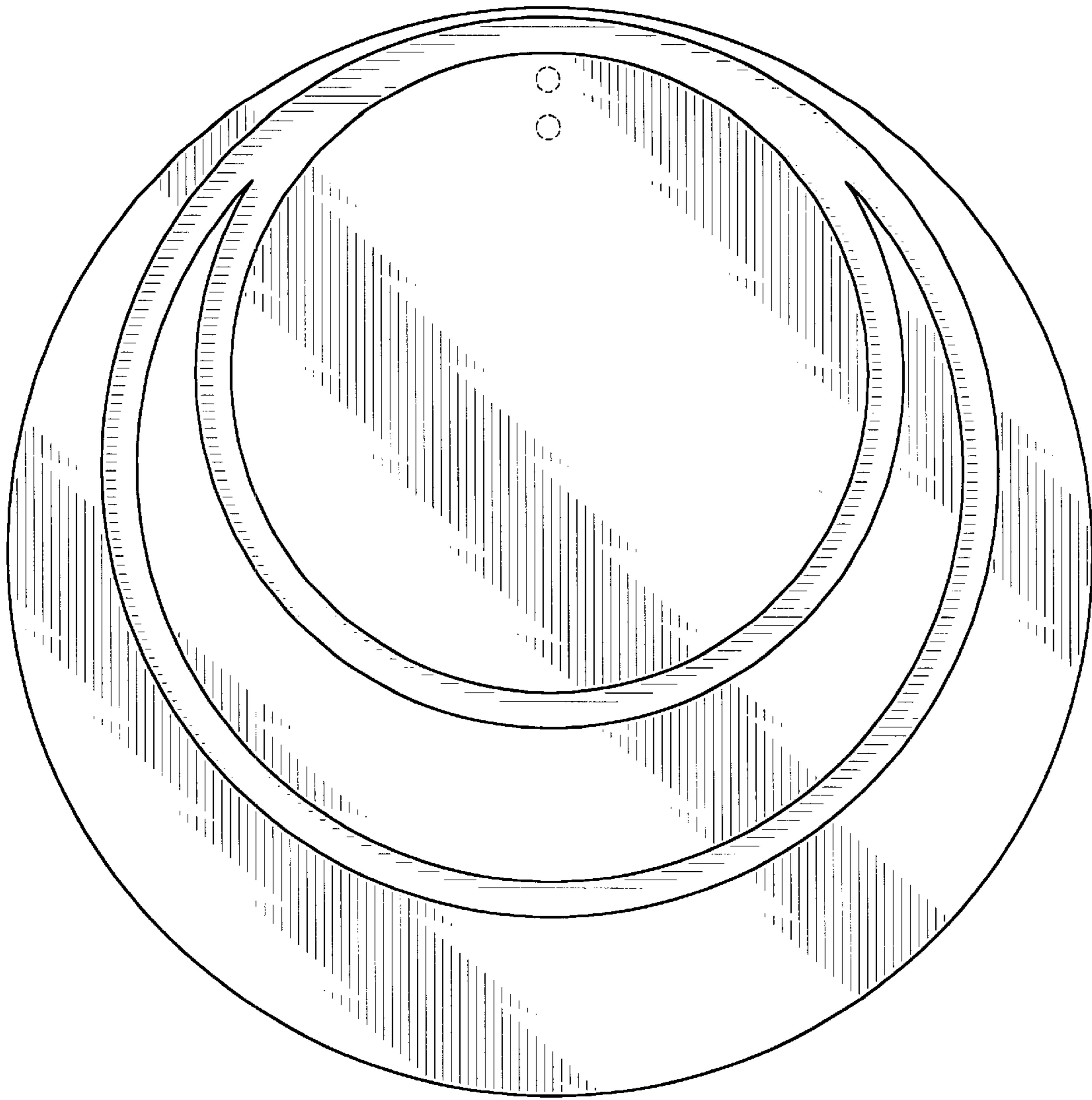


FIG-17

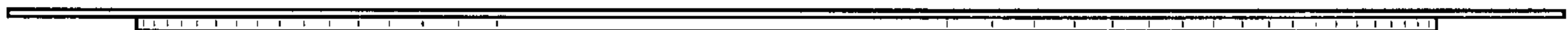


FIG-18



FIG-19



FIG-20

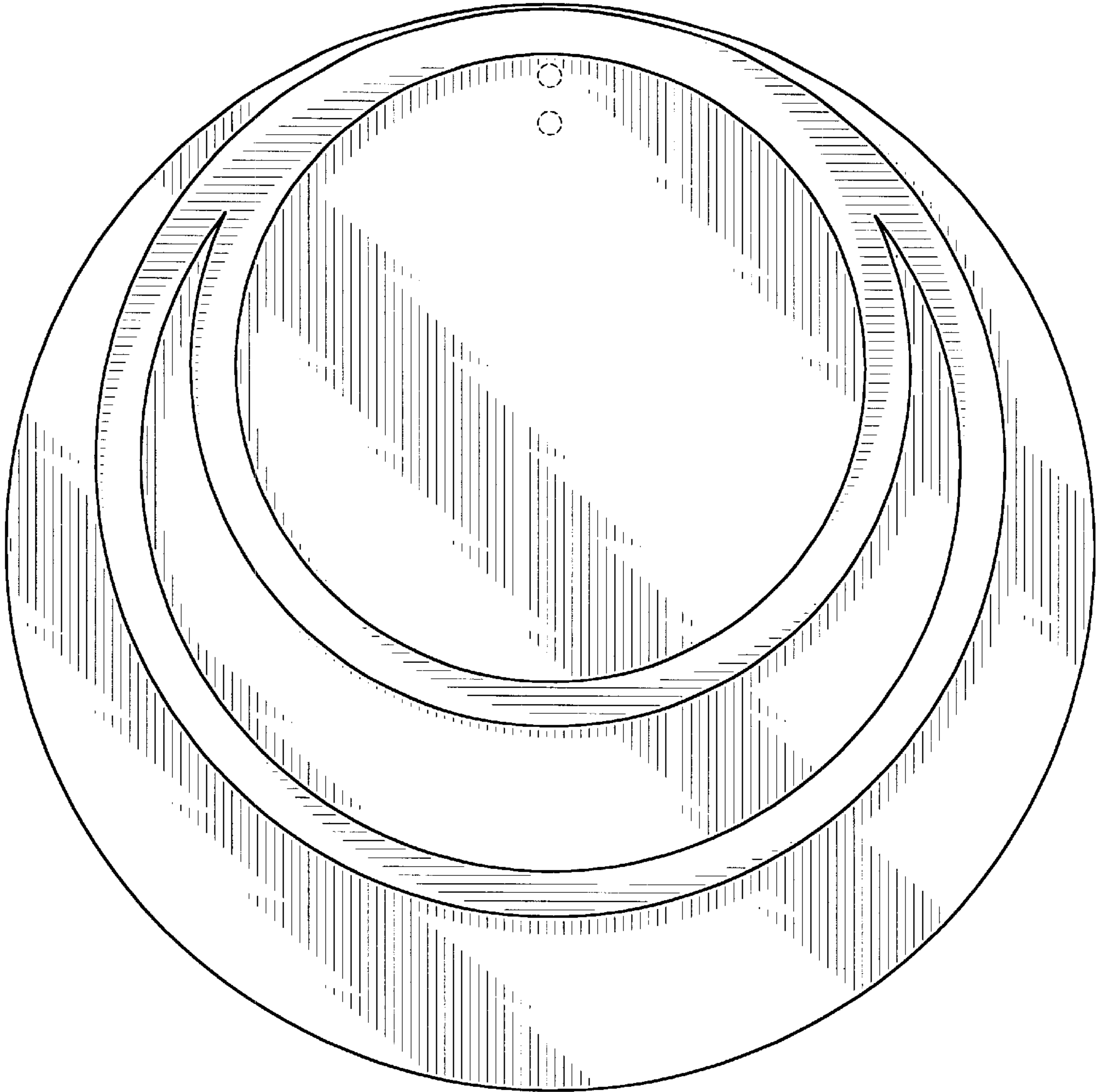


FIG-21

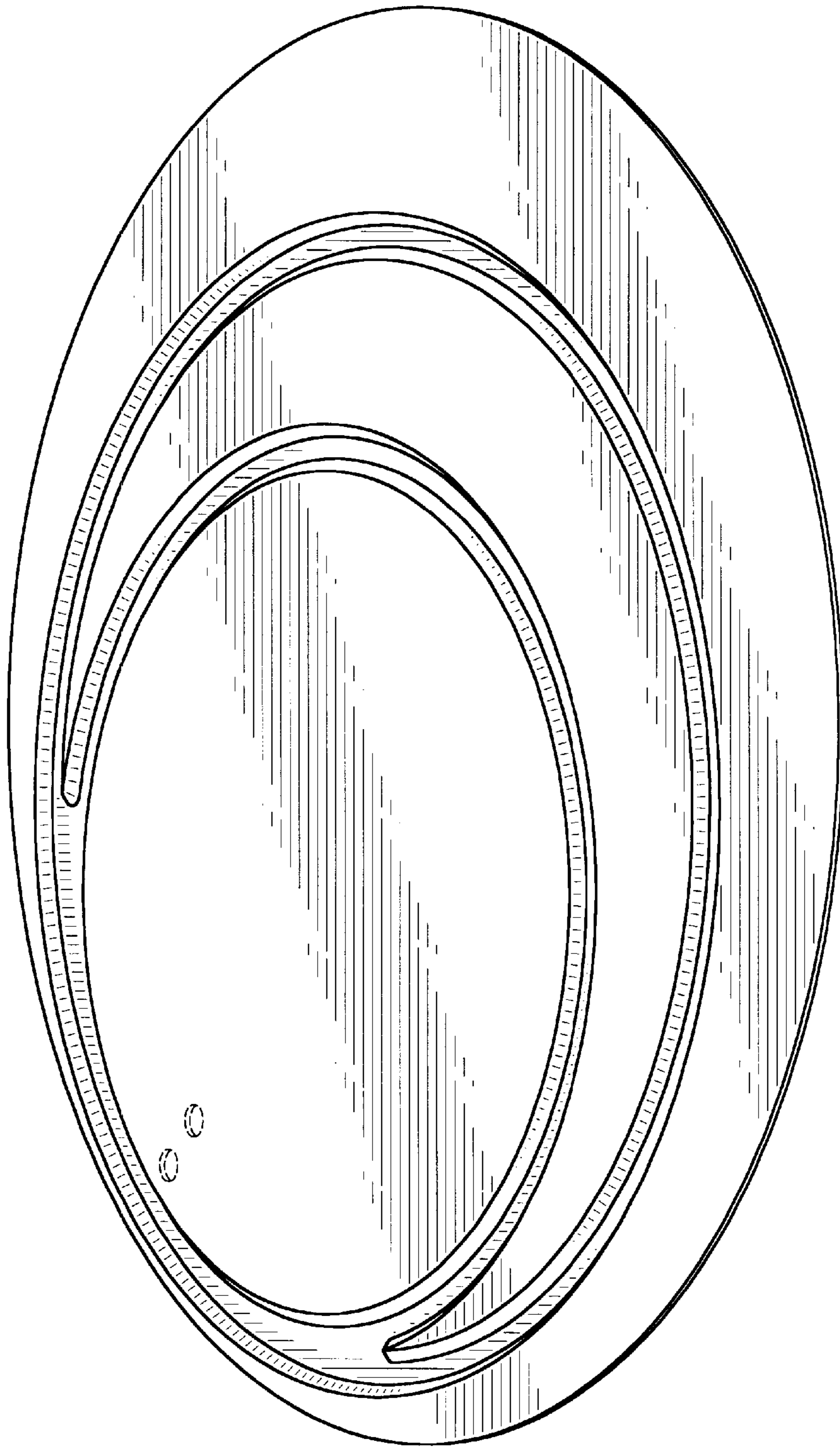
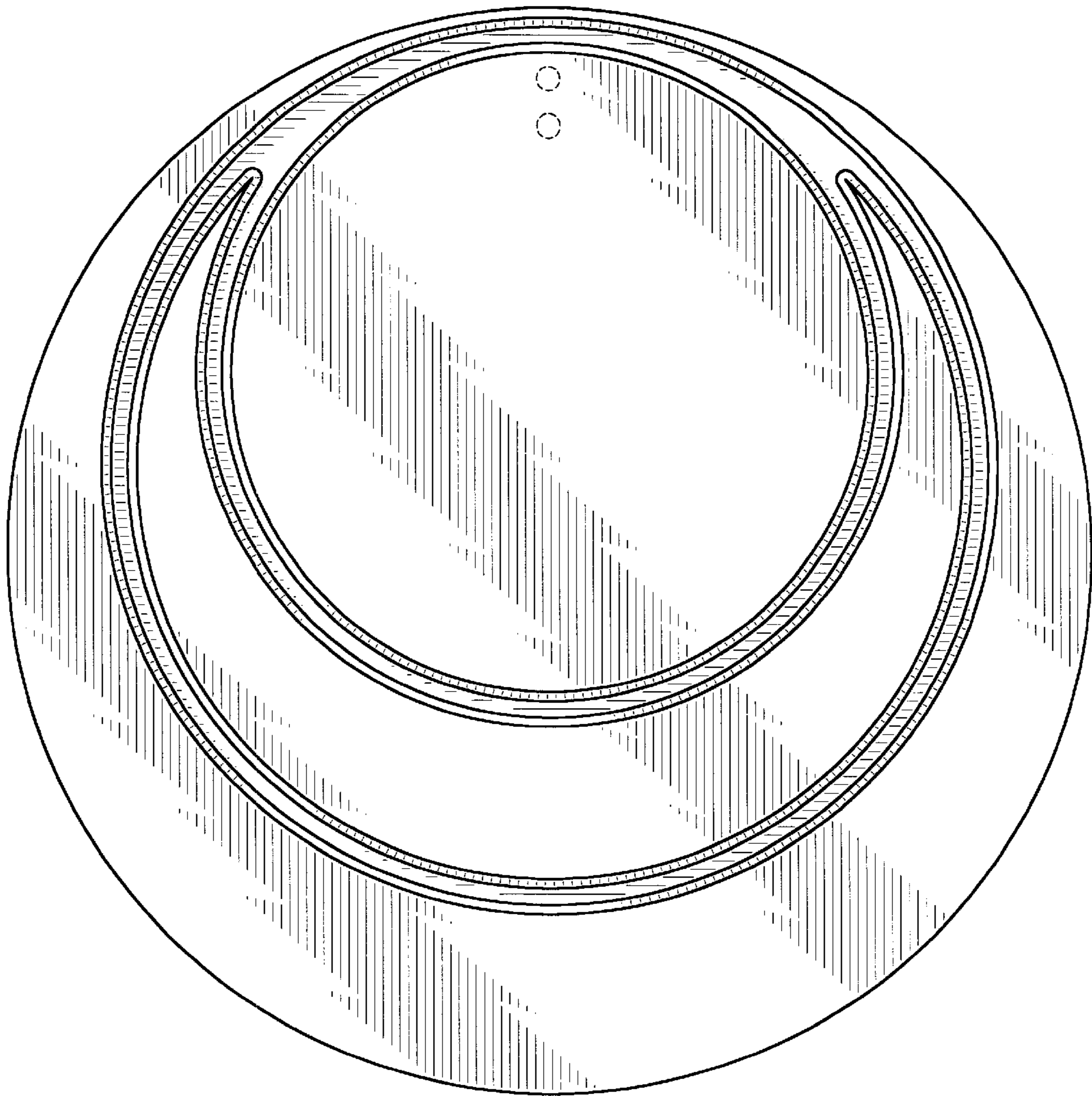
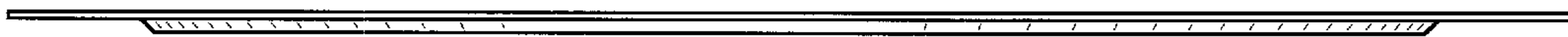


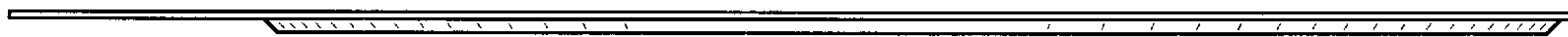
FIG-22



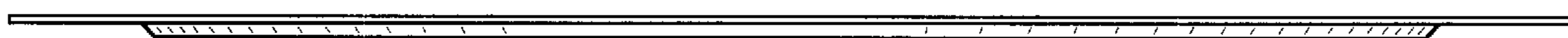
**FIG-23**



**FIG-24**



**FIG-25**



**FIG-26**

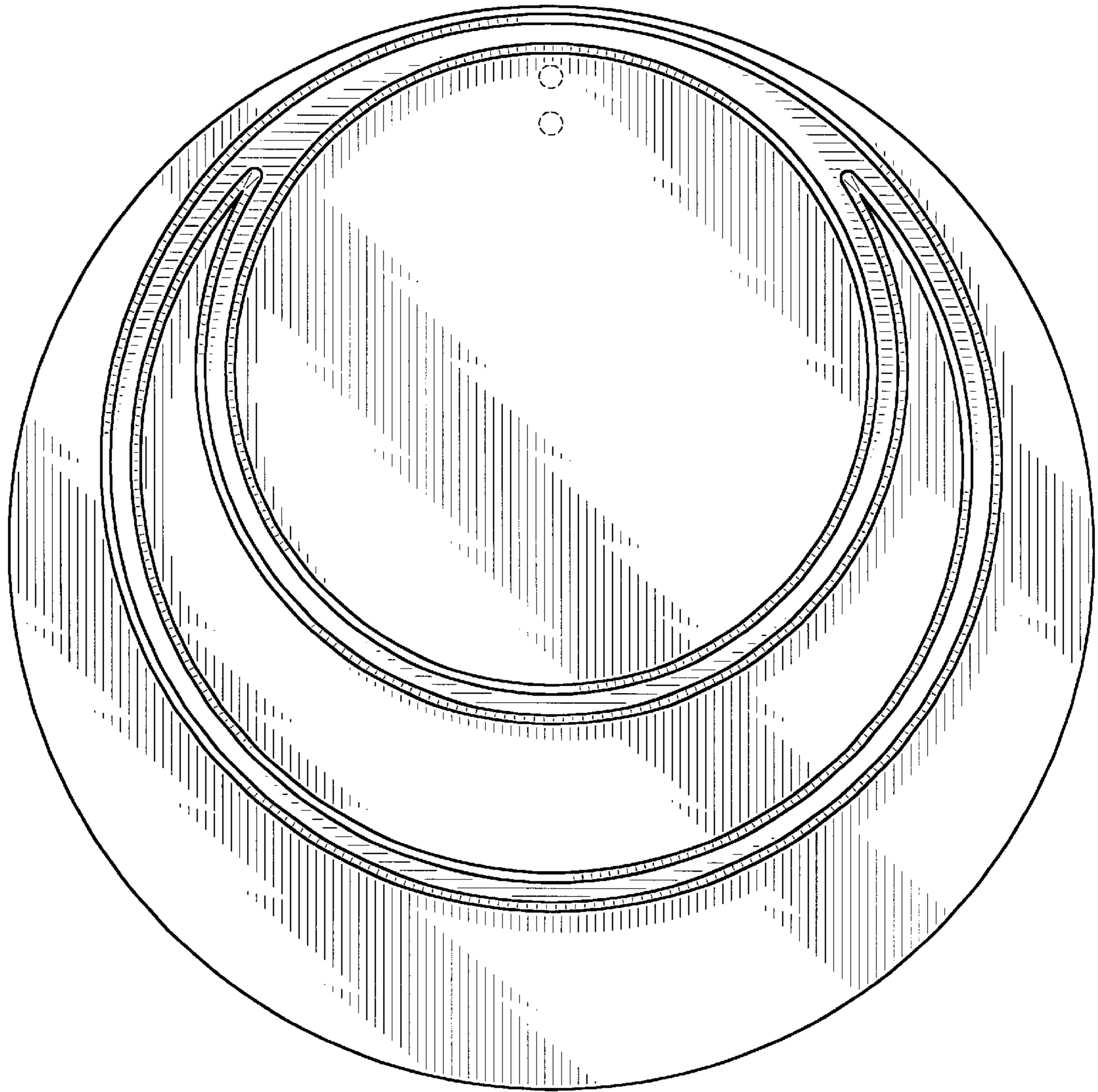


FIG-27