



US00D476405S

(12) **United States Design Patent**  
**Dunlap**

(10) **Patent No.:** **US D476,405 S**

(45) **Date of Patent:** **\*\* Jun. 24, 2003**

(54) **PORTABLE OUTDOOR FIREPLACE**

(75) Inventor: **Douglas J. Dunlap**, Industry, PA (US)

(73) Assignee: **American Sports Licensing, Inc.**,  
Wilmington, DE (US)

(\*\*) Term: **14 Years**

(21) Appl. No.: **29/167,929**

(22) Filed: **Sep. 24, 2002**

(51) **LOC (7) Cl.** ..... **23-03**

(52) **U.S. Cl.** ..... **D23/348; D23/332**

(58) **Field of Search** ..... **D23/332, 343,**  
**D23/348, 350; D7/332, 334, 337; 126/500,**  
**519, 540, 544, 548**

(56) **References Cited**

**U.S. PATENT DOCUMENTS**

D375,347 S \* 11/1996 Whalen et al. .... D23/348  
5,596,980 A \* 1/1997 Whalen et al. .... 126/519  
5,598,834 A \* 2/1997 Grady ..... 126/519

5,836,298 A \* 11/1998 Grady ..... 126/519  
5,960,788 A \* 10/1999 Bach et al. .... 126/519  
D420,115 S \* 2/2000 Bach et al. .... D23/348  
6,220,240 B1 \* 4/2001 Grady et al. .... 126/500

\* cited by examiner

*Primary Examiner*—B. J. Bullock

(74) *Attorney, Agent, or Firm*—Hugh D. Jaeger

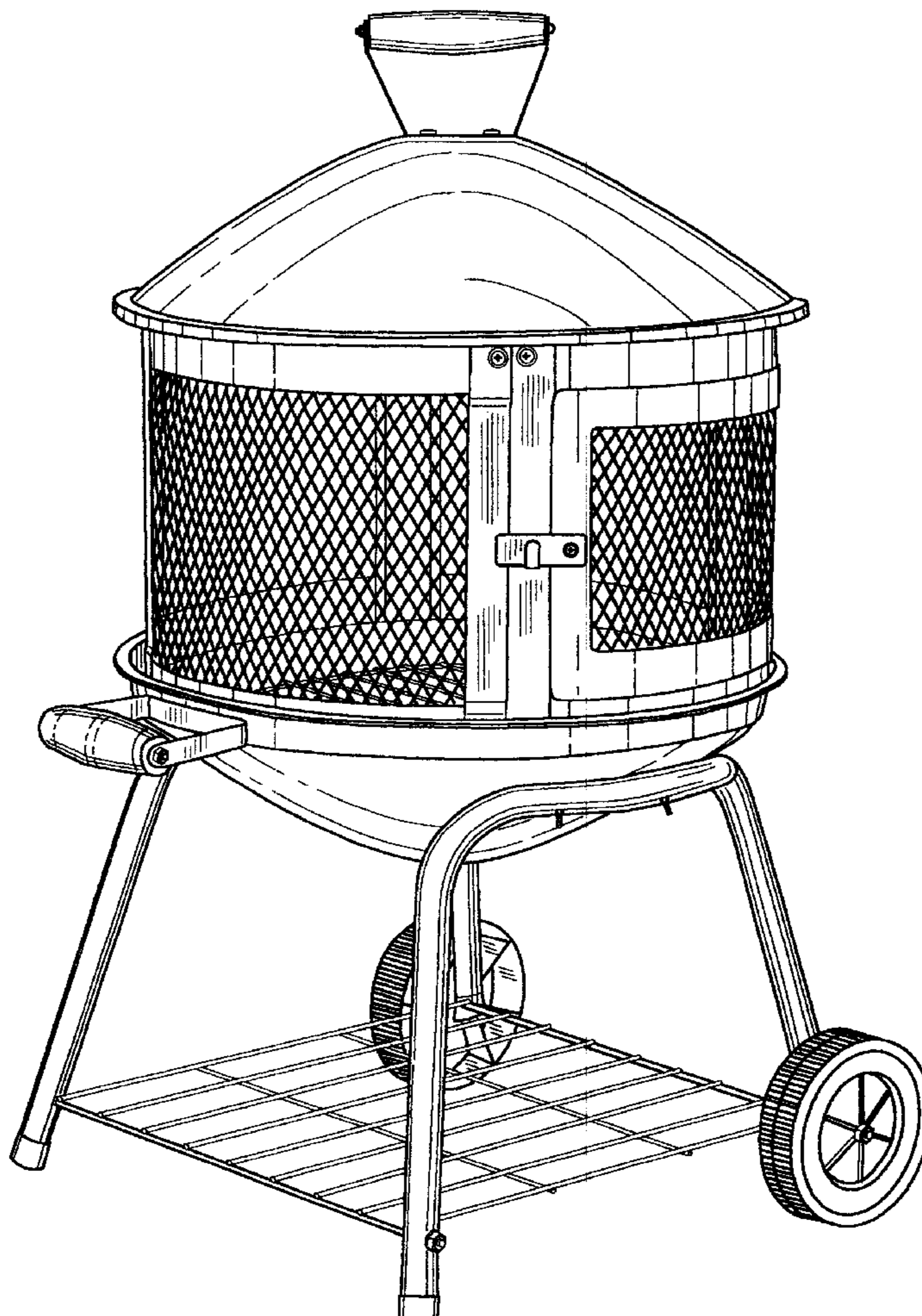
(57) **CLAIM**

The ornamental design for a portable outdoor fireplace, as shown.

**DESCRIPTION**

FIG. 1 illustrates a front view thereof;  
FIG. 2 illustrates a back view thereof;  
FIG. 3 illustrates a left side view thereof;  
FIG. 4 illustrates a right side view thereof;  
FIG. 5 illustrates a top view thereof;  
FIG. 6 illustrates a bottom view thereof; and,  
FIG. 7 illustrates a perspective view thereof.

**1 Claim, 7 Drawing Sheets**



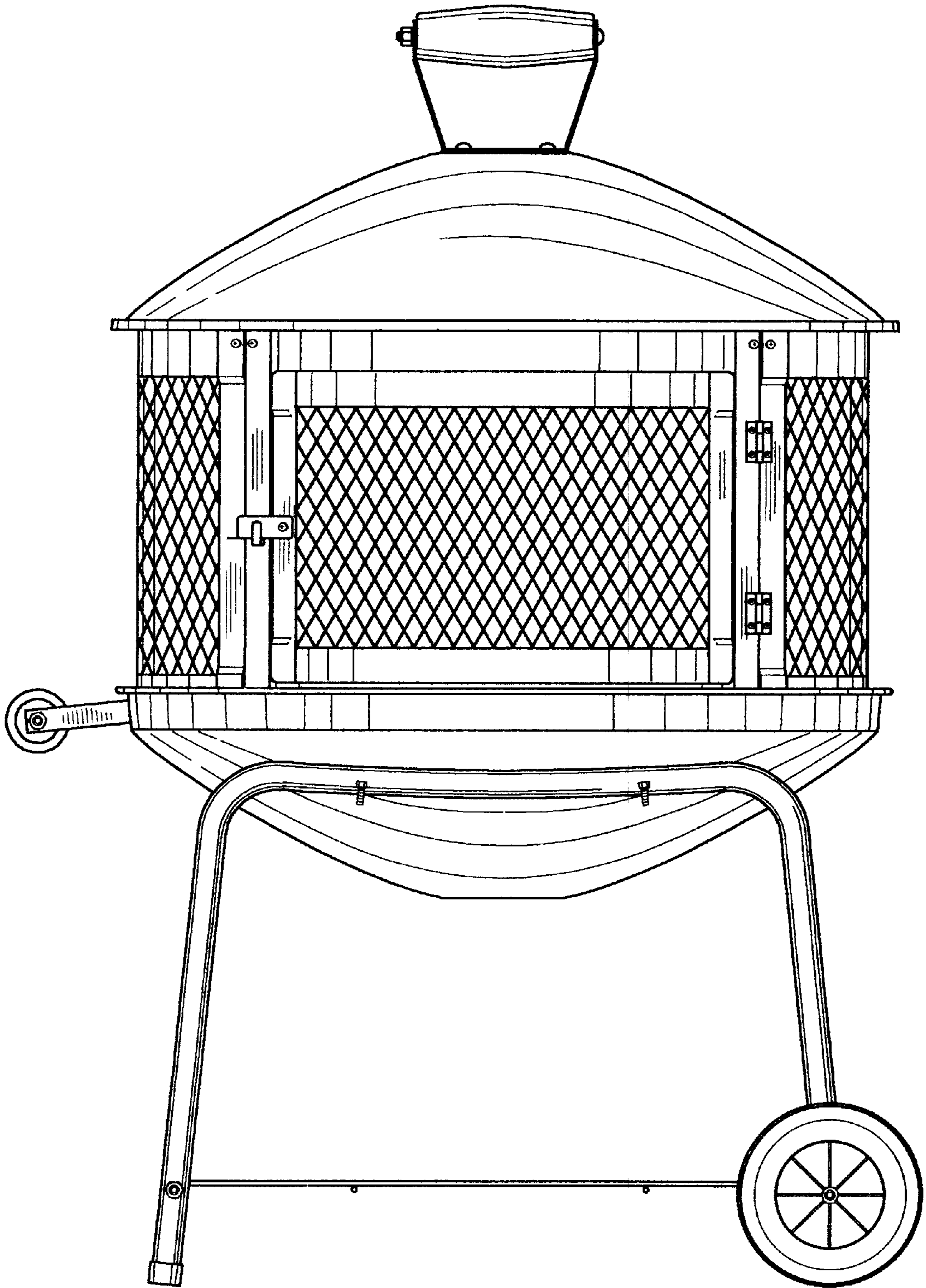


FIG. 1



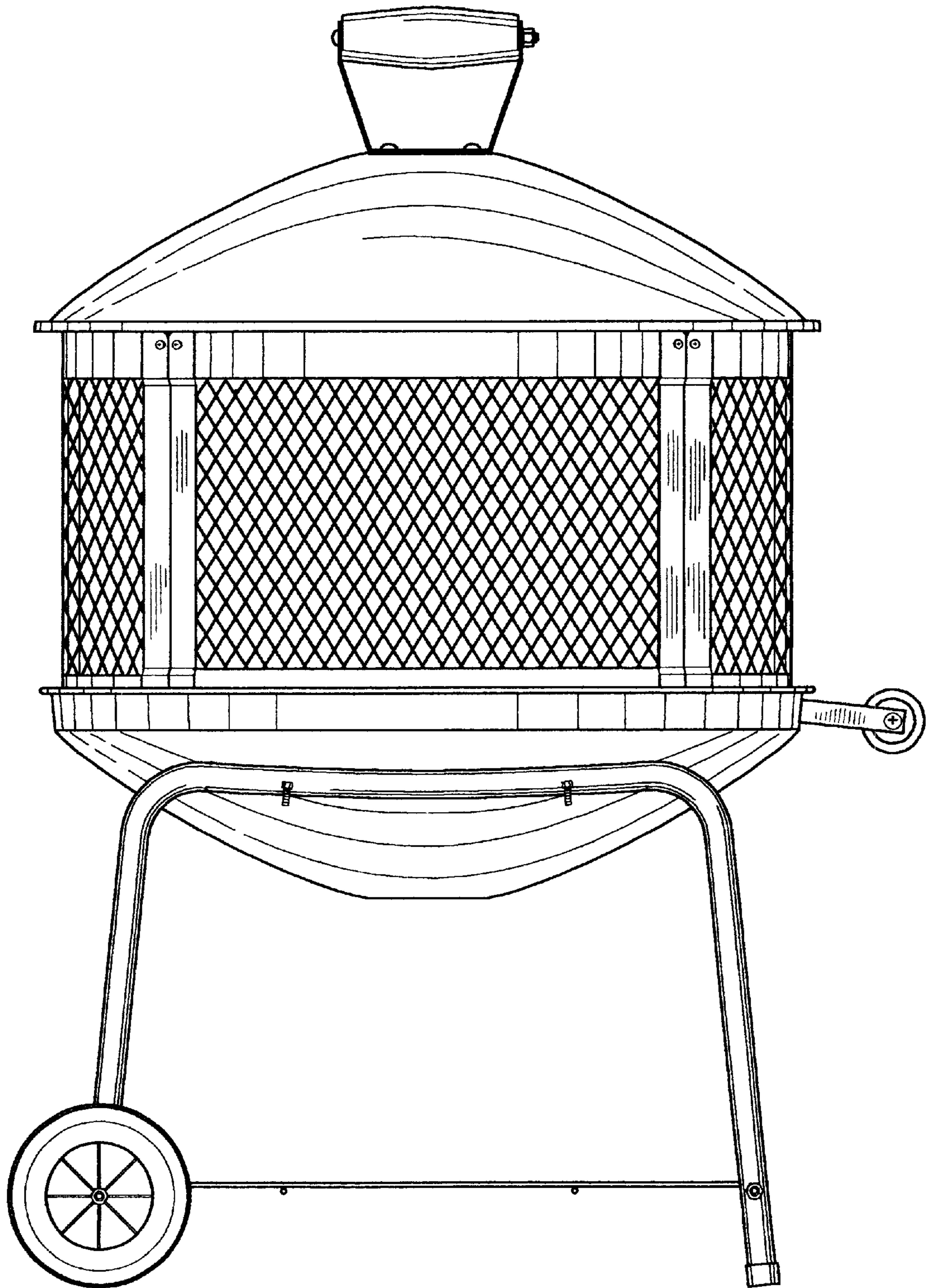


FIG. 2

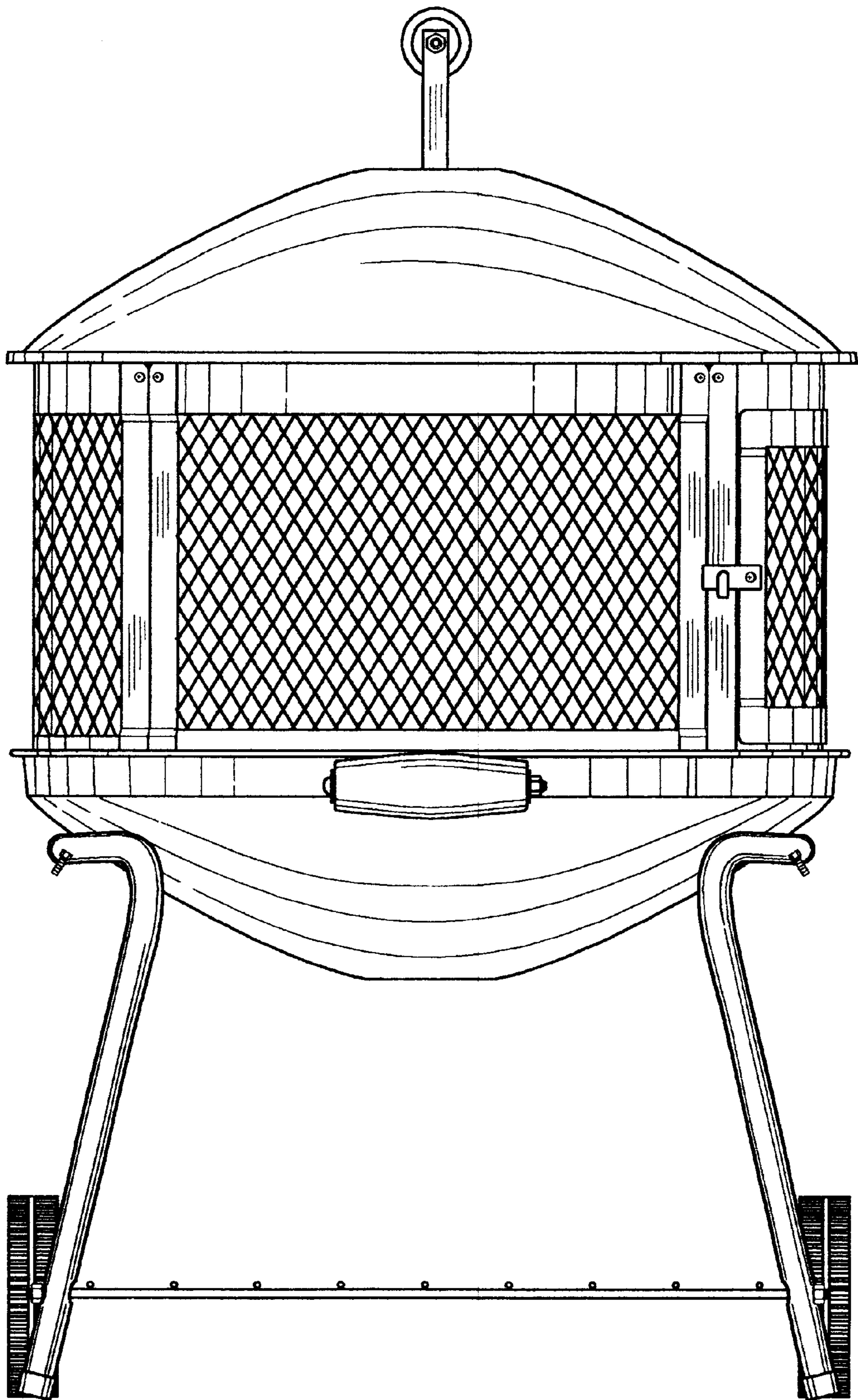


FIG. 3

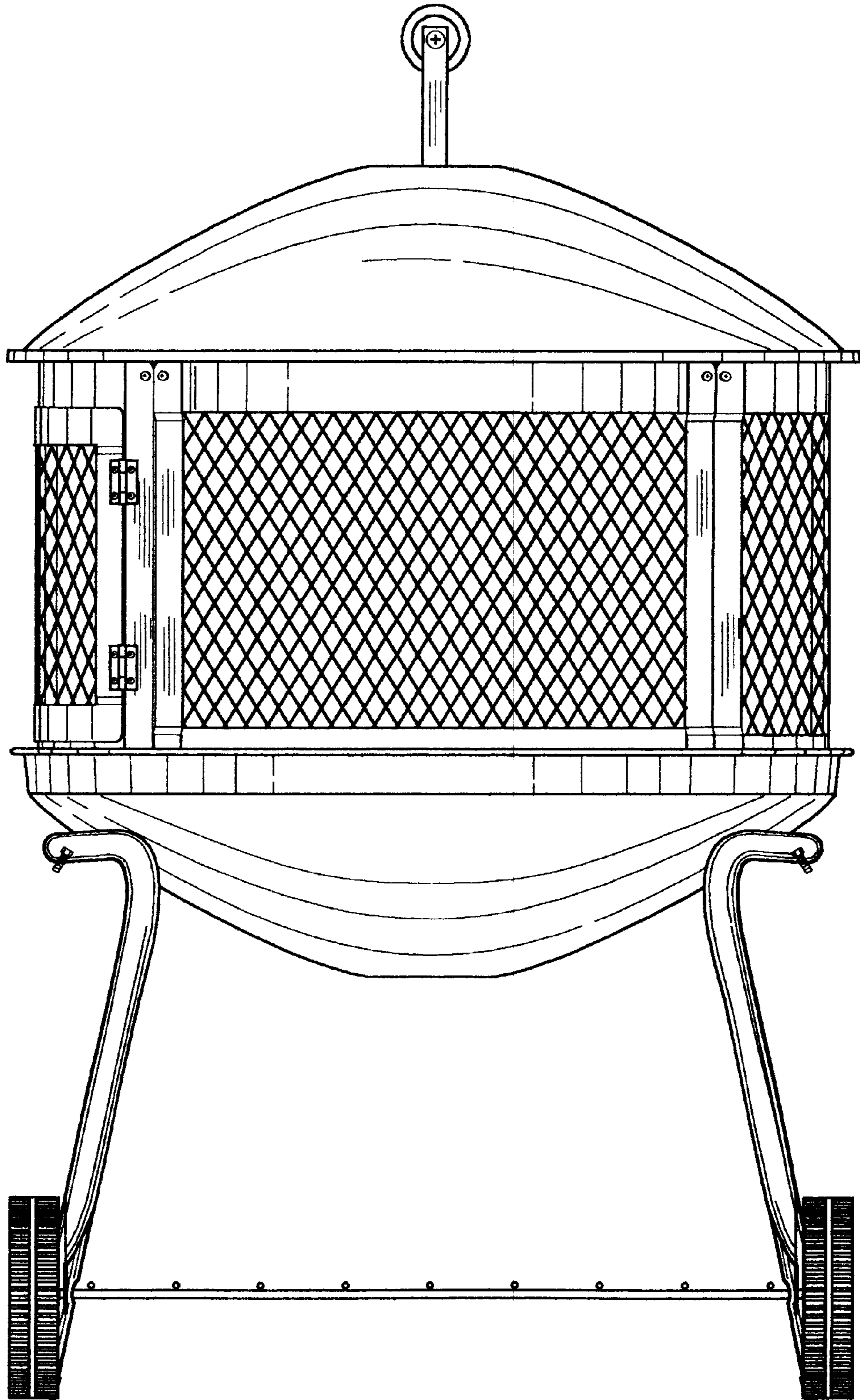


FIG. 4



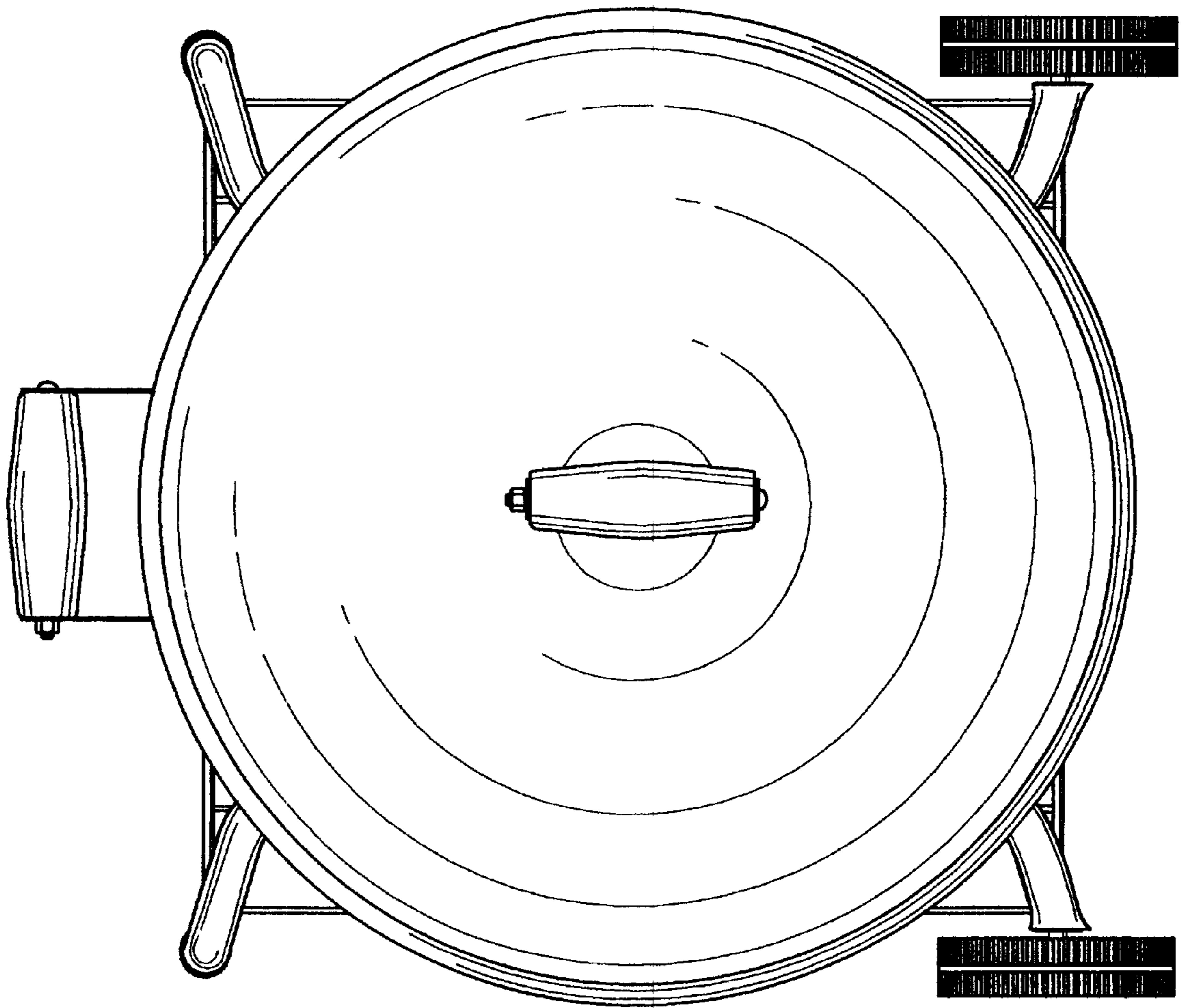


FIG. 5

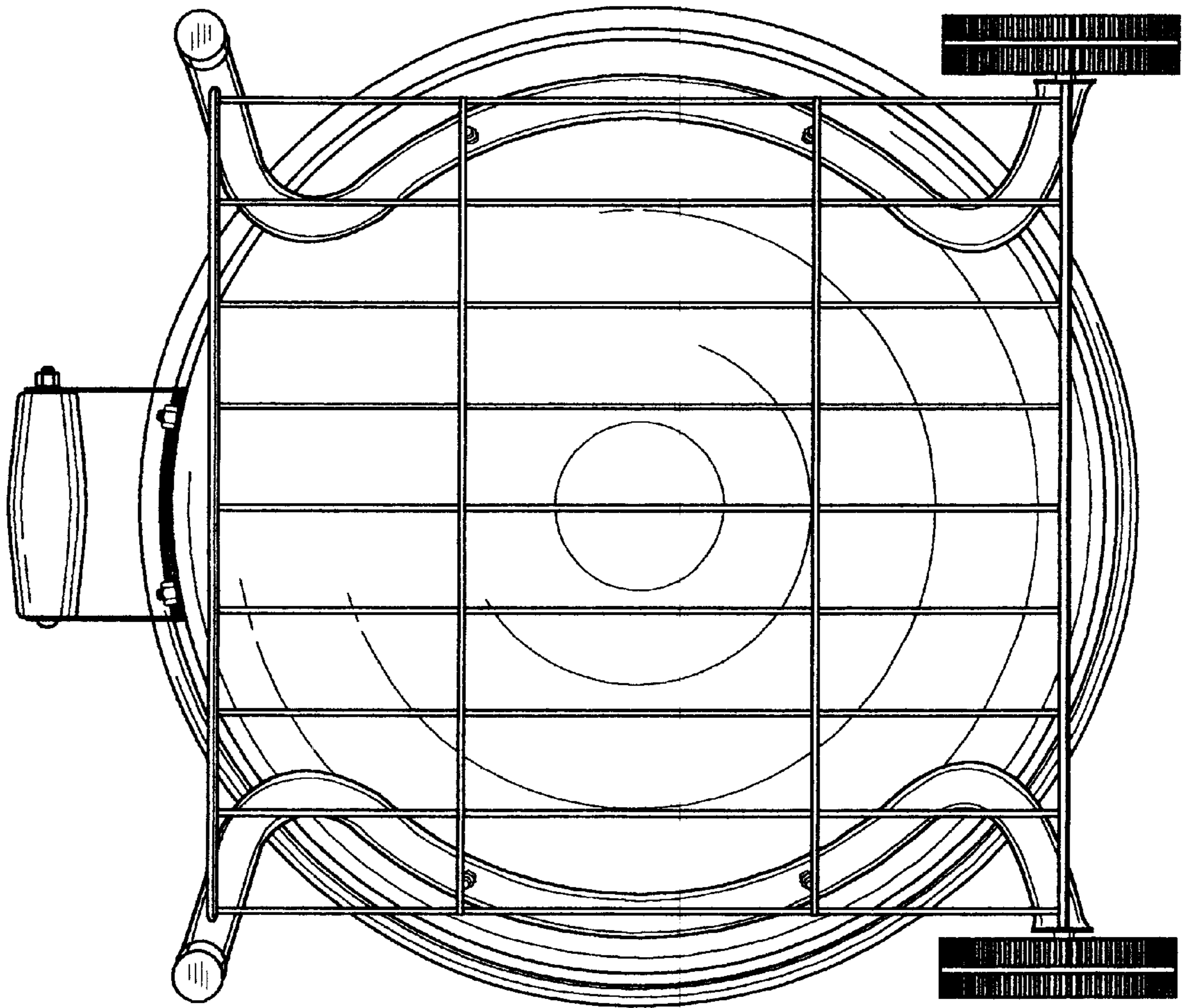


FIG. 6

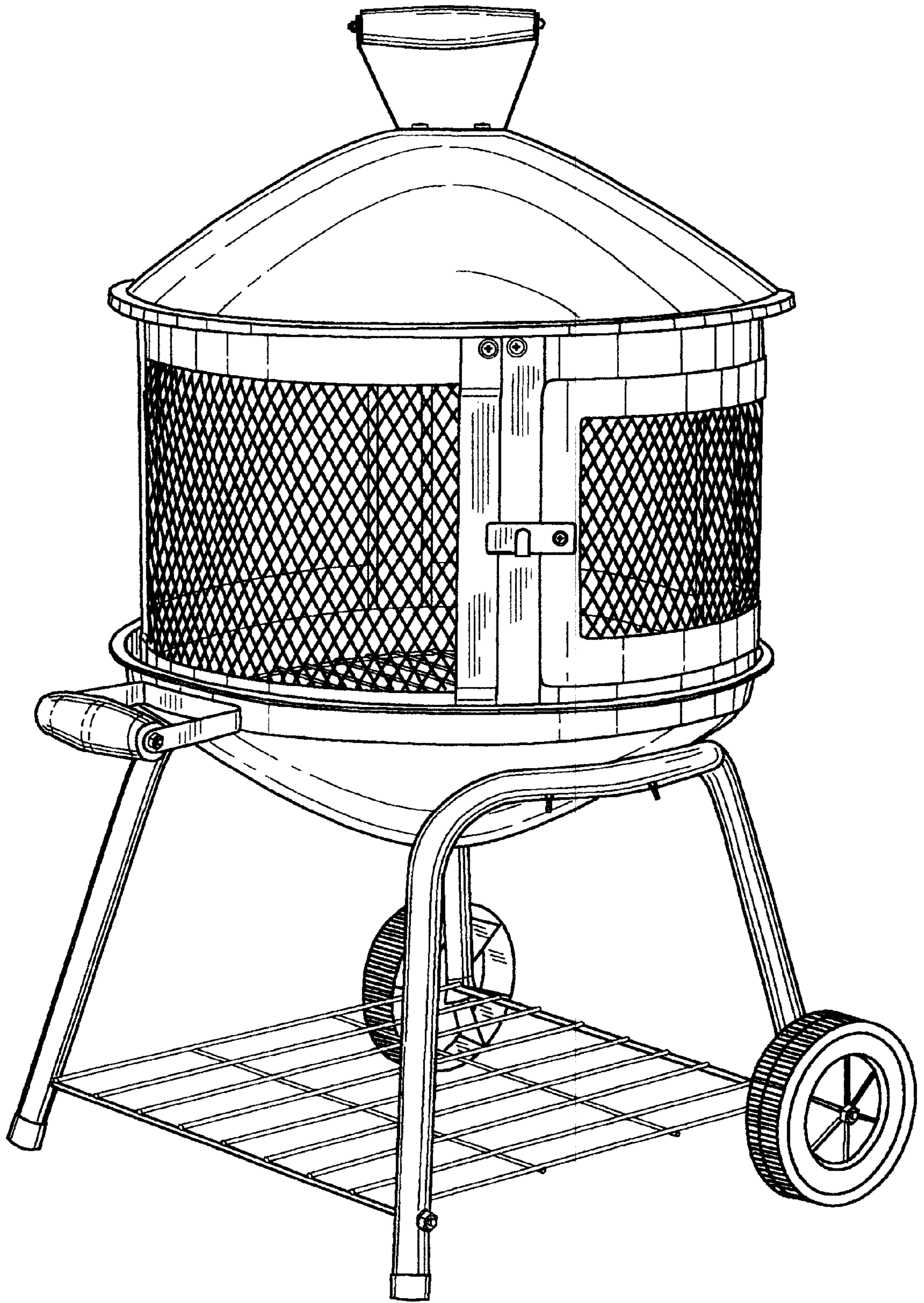


FIG. 7