



US00D476400S

(12) **United States Design Patent**
Singla Palacin

(10) **Patent No.:** **US D476,400 S**

(45) **Date of Patent:** **** Jun. 24, 2003**

(54) **LAVATORY SINK**

(75) **Inventor:** **Jaume Singla Palacin**, Barcelona (ES)

(73) **Assignee:** **Roca Sanitario, S.A.**, Barcelona (ES)

(**) **Term:** **14 Years**

(21) **Appl. No.:** **29/155,055**

(22) **Filed:** **Jan. 31, 2002**

(30) **Foreign Application Priority Data**

Aug. 1, 2001 (ES) 151981

(51) **LOC (7) Cl.** **23-02**

(52) **U.S. Cl.** **D23/293.1**

(58) **Field of Search** D23/284-285,
D23/287, 292, 293.1, 308; 4/619, 624-625,
631-635, 637, 638, 650-652, 656, 660

(56) **References Cited**

U.S. PATENT DOCUMENTS

- D191,432 S * 10/1961 Chapman D23/293.1
- D361,830 S * 8/1995 Segenschmid D23/293.1
- D370,967 S * 6/1996 Kaiser D23/293.1
- D407,470 S * 3/1999 McKeone D23/292

D415,827 S * 10/1999 McKeone D23/292

* cited by examiner

Primary Examiner—Louis S. Zarfes

Assistant Examiner—Robert A. Delehanty

(74) *Attorney, Agent, or Firm*—Steinberg & Raskin, P.C.

(57) **CLAIM**

I claim the ornamental design for lavatory sink, as shown and described.

DESCRIPTION

FIG. 1 is a perspective view of lavatory sink according to the claimed design;

FIG. 2 is a top elevational view of the lavatory sink shown in FIG. 1;

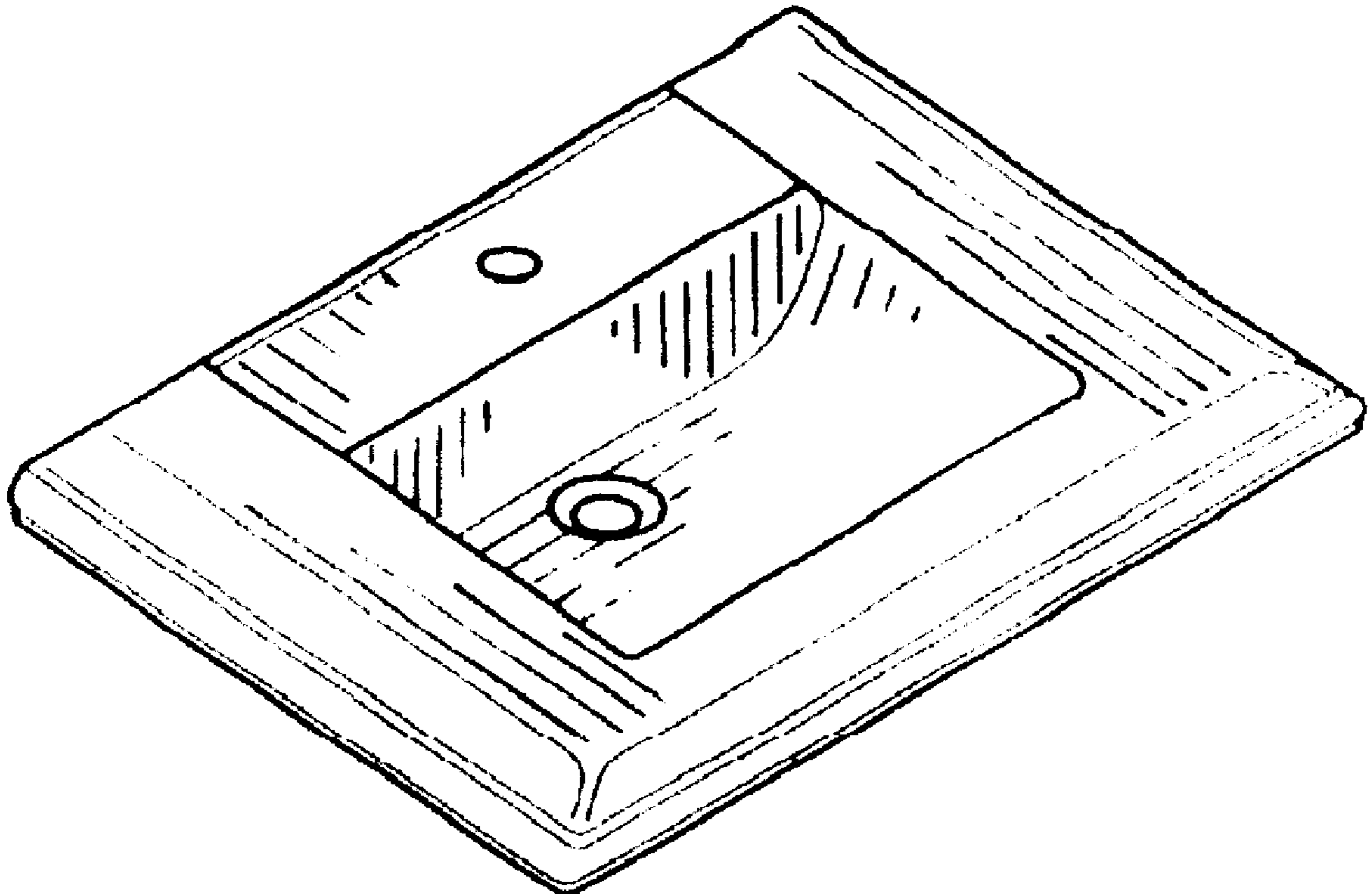
FIG. 3 is a front elevational view of the lavatory sink shown in FIG. 1;

FIG. 4 is a side elevational view of the lavatory sink shown in FIG. 1 (each side of the lavatory sink being a mirror image of the other);

FIG. 5 is a rear elevational view of the lavatory sink shown in FIG. 1; and,

FIG. 6 is a bottom elevational view of the lavatory sink shown in FIG. 1.

1 Claim, 1 Drawing Sheet



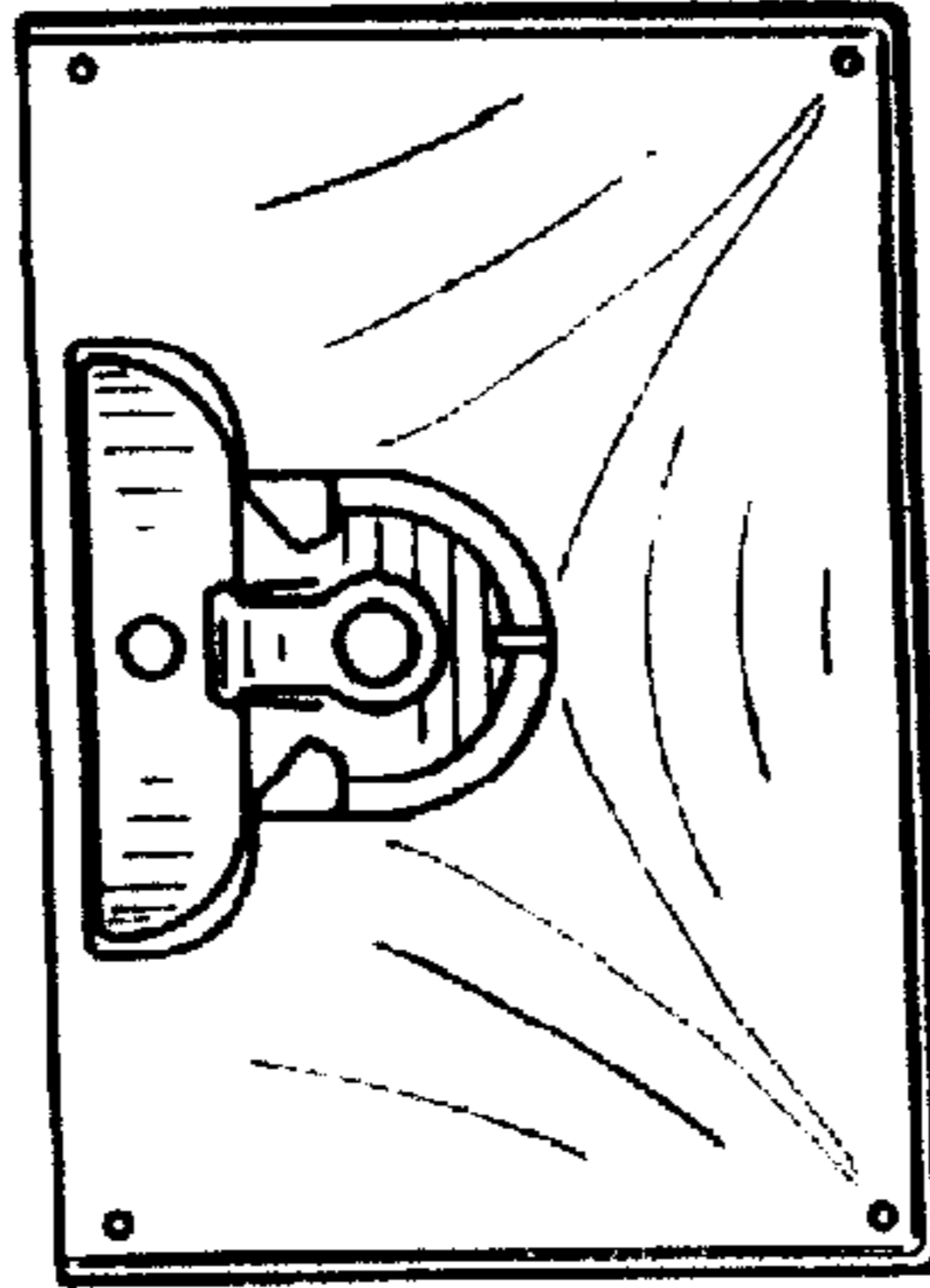


FIG. 6

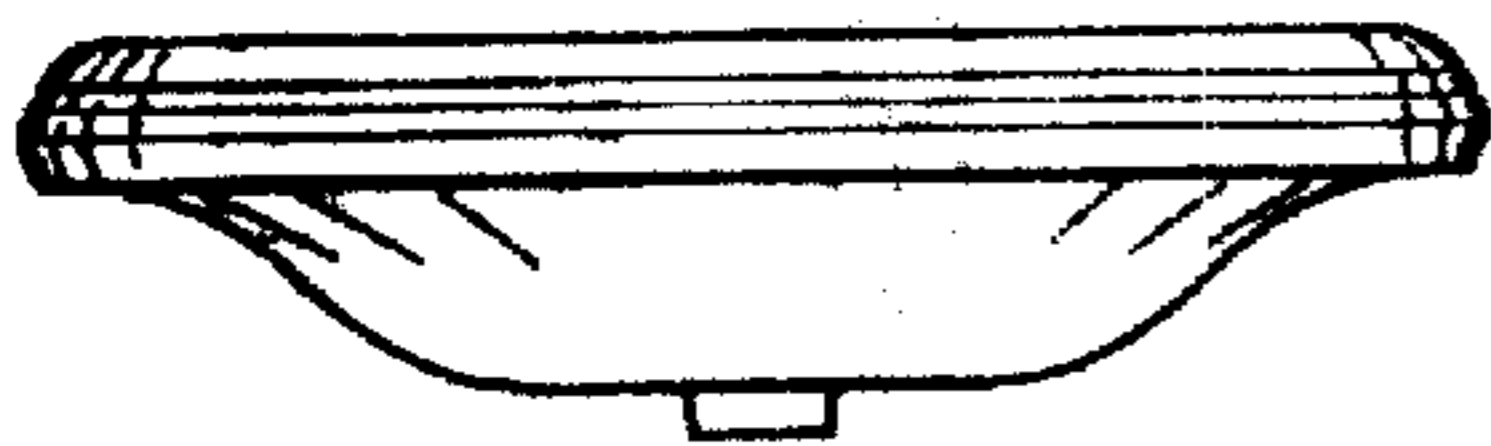


FIG. 3

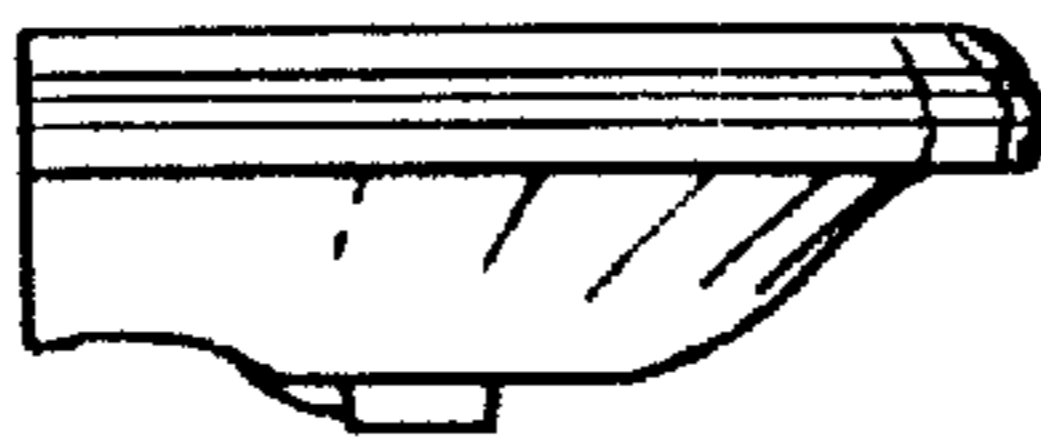


FIG. 4

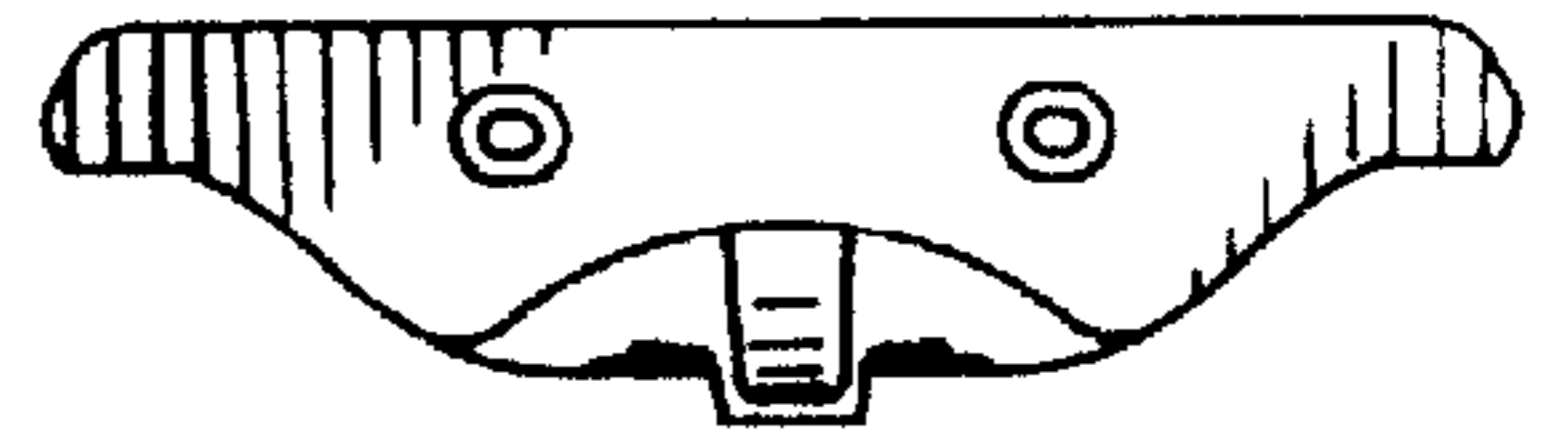


FIG. 5

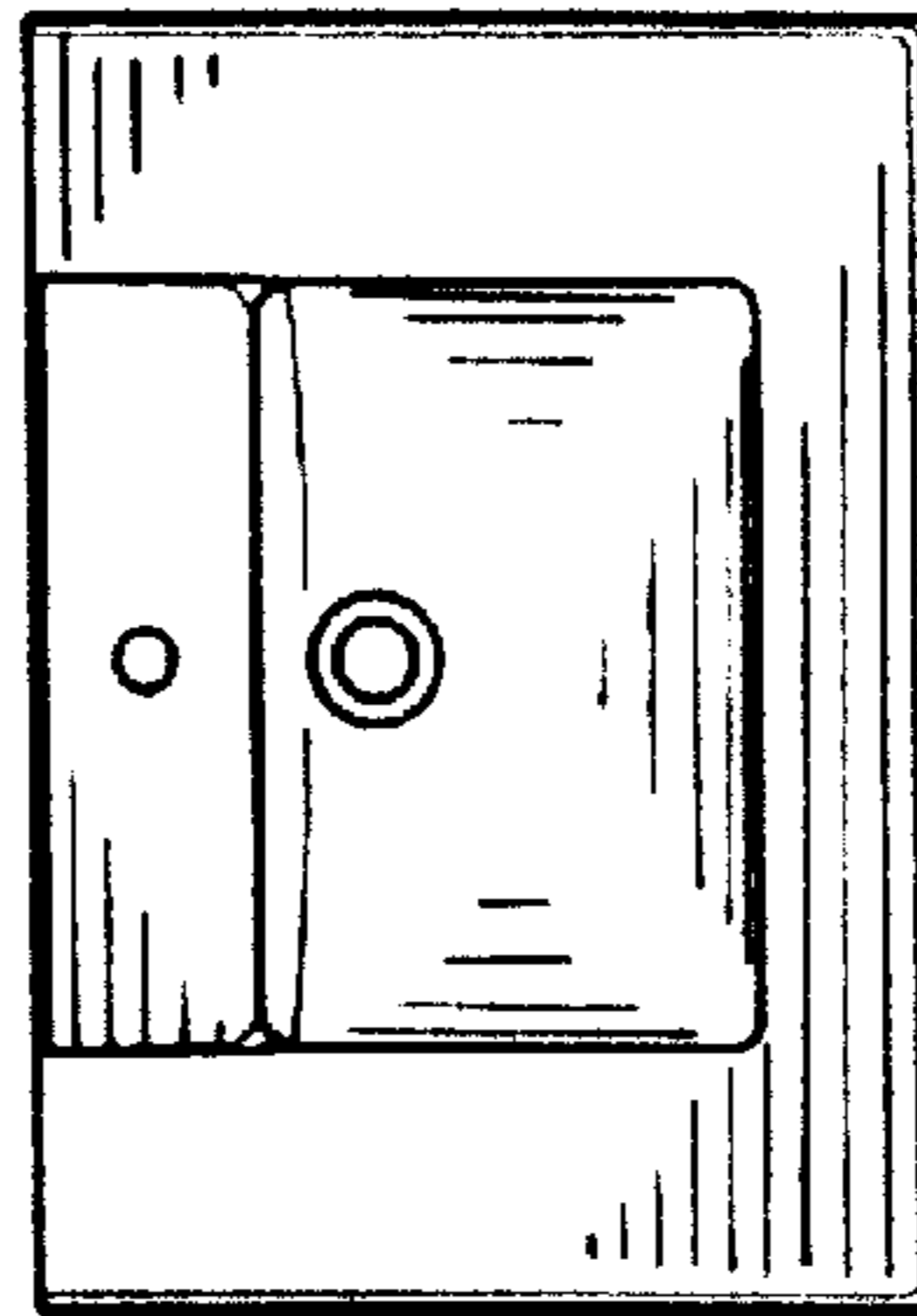


FIG. 2

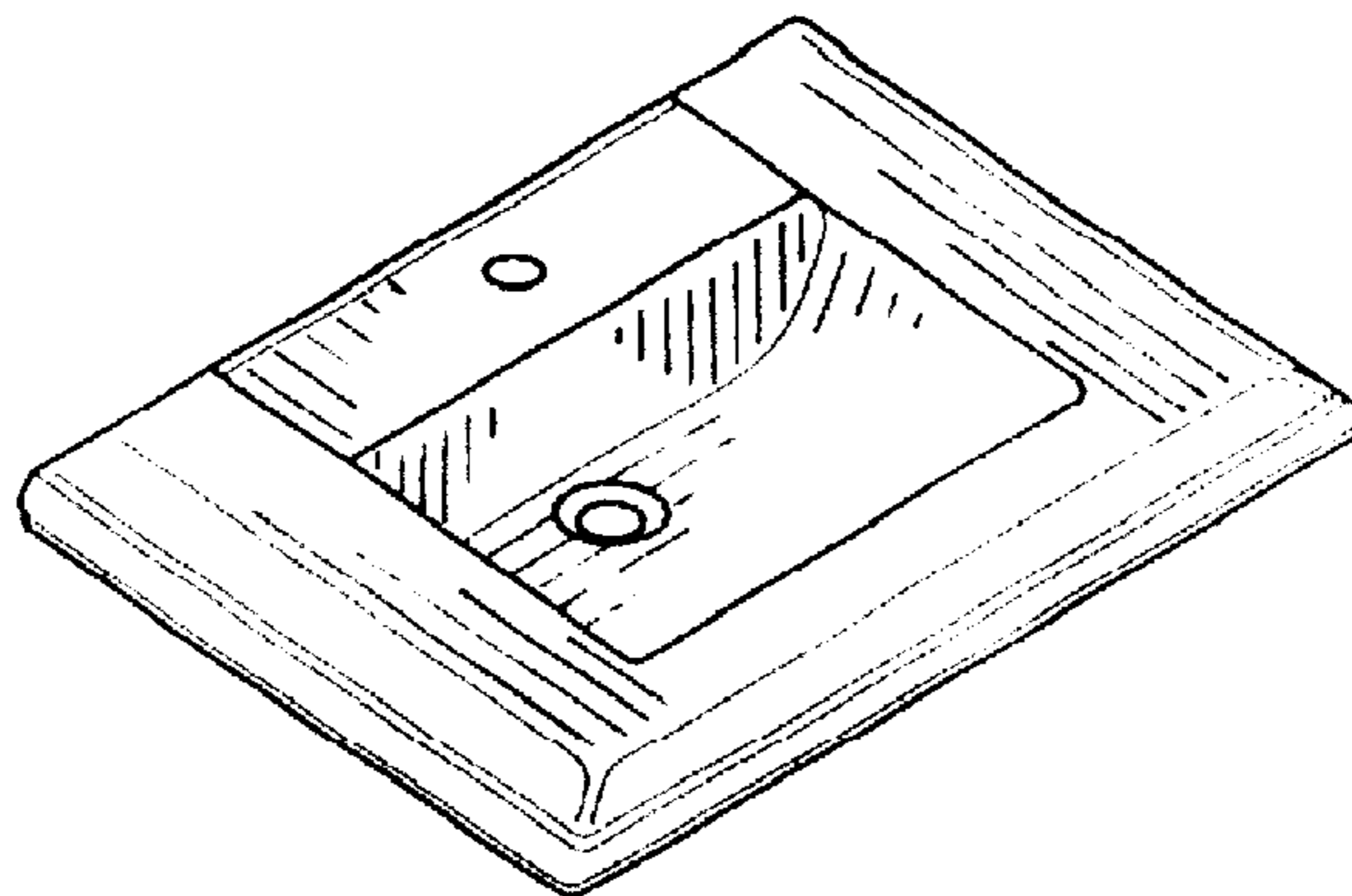


FIG. 1