



US00D476399S

(12) **United States Design Patent**  
**Panis et al.**

(10) **Patent No.:** **US D476,399 S**

(45) **Date of Patent:** **\*\* Jun. 24, 2003**

(54) **SHOWER CONTROL**

(75) Inventors: **Pierre-Yves Panis**, North Olmsted, OH (US); **Douglas A. Kemp**, North Ridgeville, OH (US)

(73) Assignee: **Moen Incorporated**, North Olmsted, OH (US)

(\*\*) Term: **14 Years**

(21) Appl. No.: **29/160,586**

(22) Filed: **May 14, 2002**

(51) **LOC (7) Cl.** ..... **23-01**

(52) **U.S. Cl.** ..... **D23/254**

(58) **Field of Search** ..... D23/238-243, D23/245, 250-257; D8/300-322, 350-353, DIG. 3; 16/110.1; 4/675-678; 137/801

(56) **References Cited**

**U.S. PATENT DOCUMENTS**

D59,399 S	10/1921	Wuesthoff
D241,440 S	9/1976	Doman
D263,989 S	4/1982	Fleischmann et al.
D271,560 S	11/1983	Valli
D271,561 S	11/1983	Valli
D289,318 S	4/1987	Yost
D290,388 S	6/1987	Yost
D290,496 S	6/1987	Ryan
D293,362 S	12/1987	Hill et al.
D317,196 S	5/1991	Robbins
D318,717 S	7/1991	Spangler
D319,294 S	8/1991	Kohler, Jr. et al.
D320,335 S	10/1991	Bengtson
D325,772 S	4/1992	Carr
D329,009 S	9/1992	Marques
D330,839 S	11/1992	Barrington et al.
D332,135 S	12/1992	Bonnell

D332,826 S	1/1993	Rosenbaum	
D355,021 S	1/1995	Schott et al.	
D363,765 S	10/1995	Starck	
D363,872 S	11/1995	Carsello	
D390,921 S	2/1998	Steffes et al.	
D401,674 S	11/1998	Lord	
D405,510 S	2/1999	Lord	
D417,260 S	11/1999	Mullenmeister	
D421,099 S	2/2000	Mullenmeister	
D427,290 S	* 6/2000	Milrud et al.	D23/254
D428,118 S	7/2000	McKeone	
D431,443 S	10/2000	Rodriguez et al.	
D433,737 S	* 11/2000	Milrud et al.	D23/252
D435,423 S	12/2000	Rodriguez et al.	
D443,037 S	* 5/2001	Burns et al.	D23/254
D443,341 S	* 6/2001	Burns et al.	D23/254
D459,444 S	* 6/2002	Chen	D23/250

\* cited by examiner

*Primary Examiner*—Louis S. Zarfaz  
*Assistant Examiner*—Gregory Andoll  
(74) *Attorney, Agent, or Firm*—Cook, Alex, McFarron, Manzo, Cummings & Mehler, Ltd.

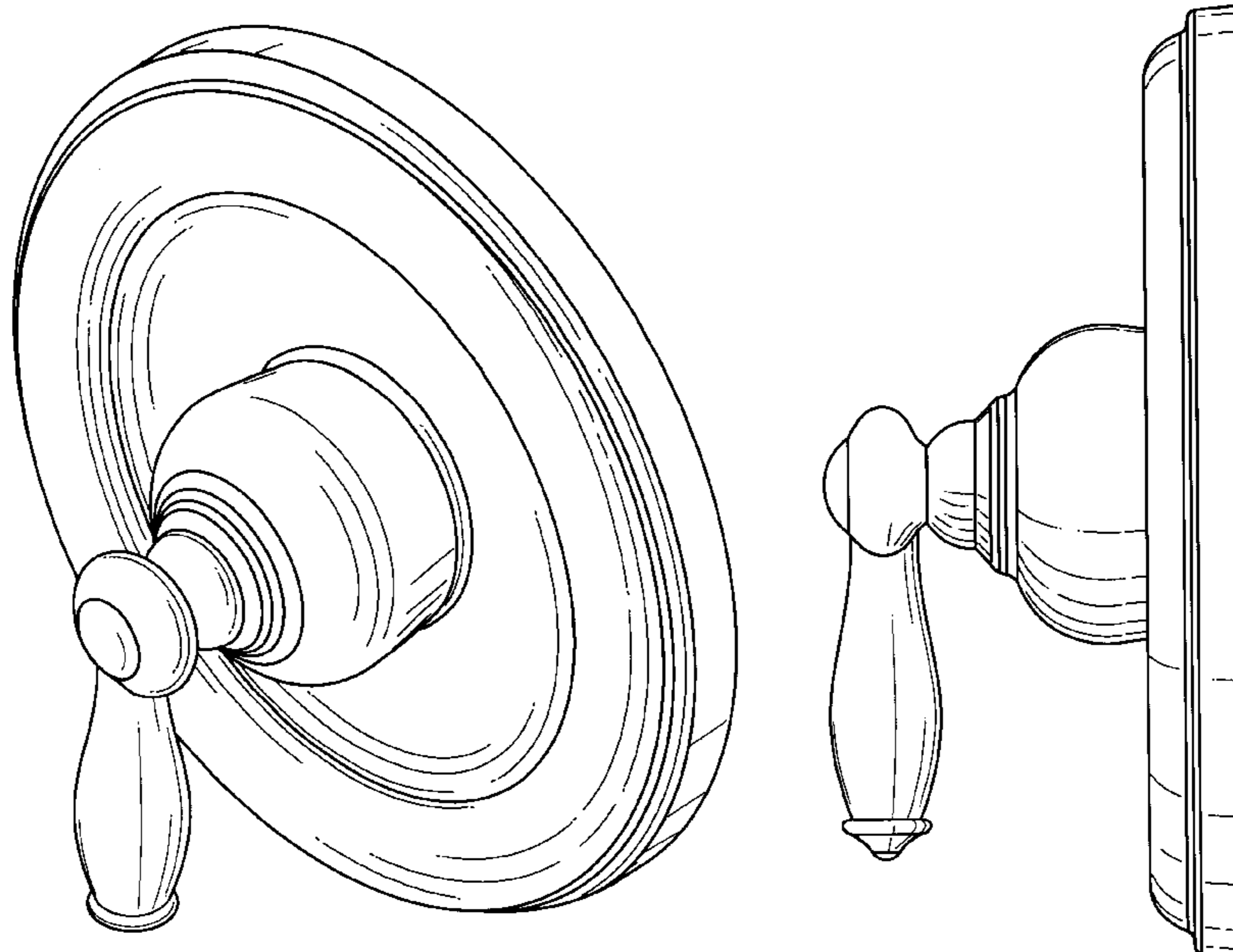
(57) **CLAIM**

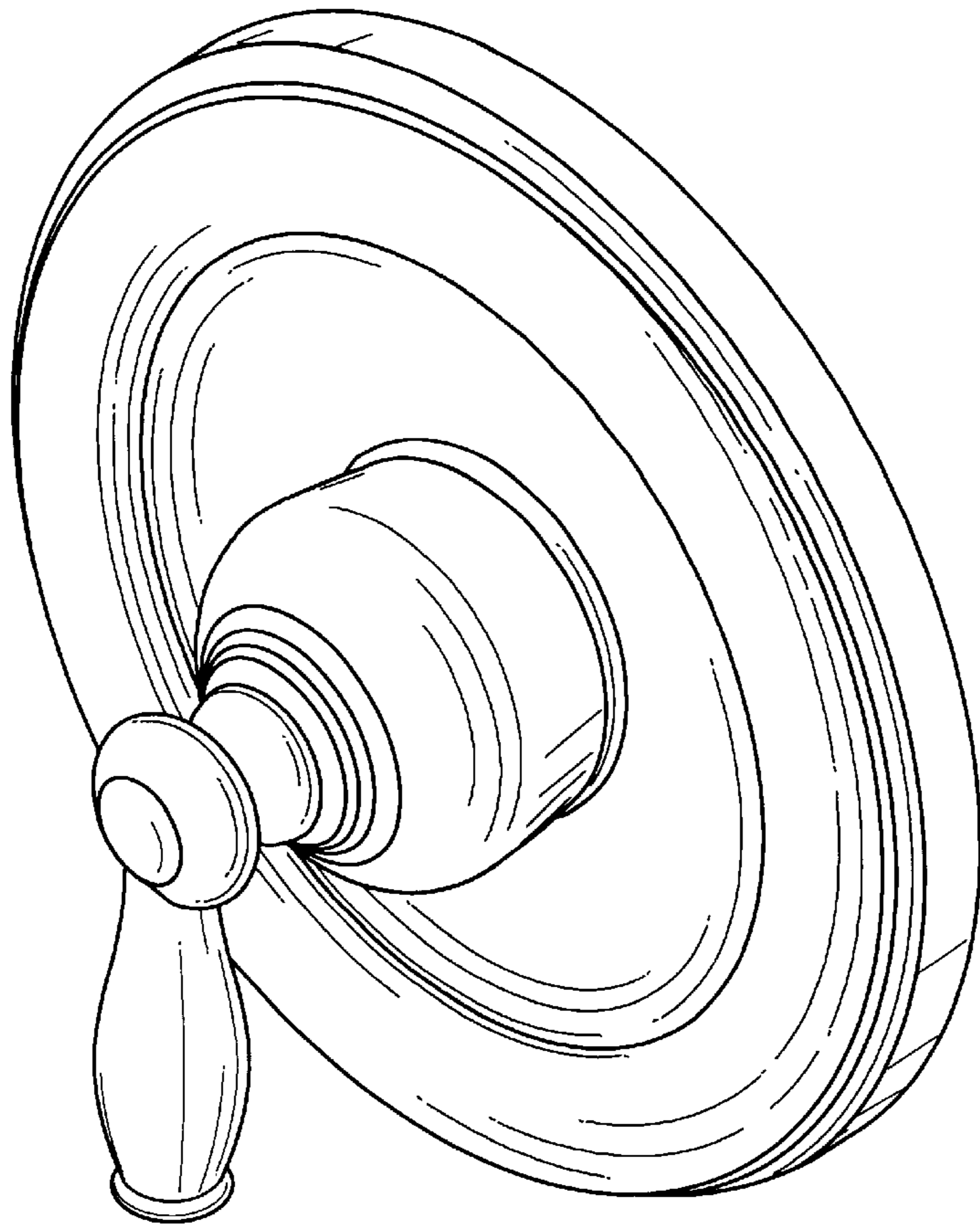
The ornamental design for a shower control, as shown and described.

**DESCRIPTION**

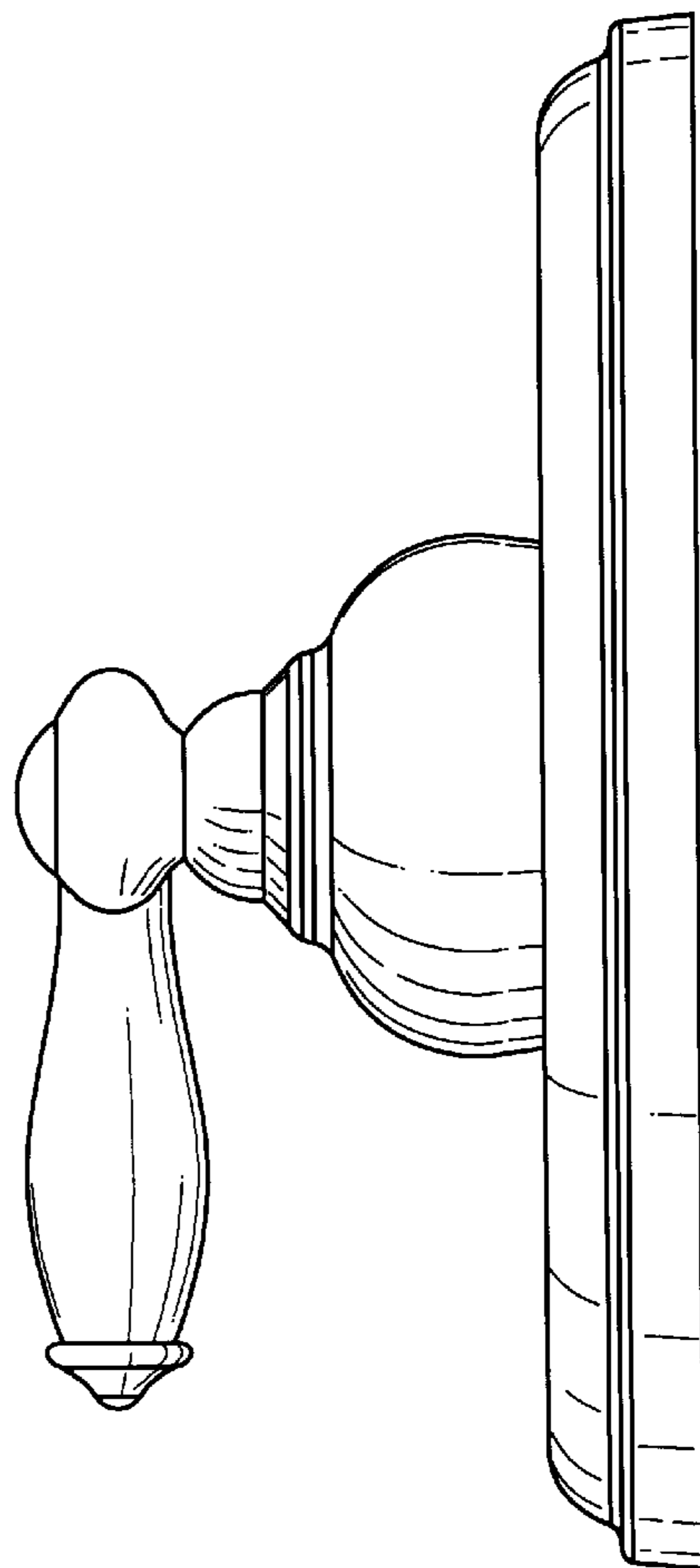
FIG. 1 is a perspective view of our new design for a shower control;  
FIG. 2 is a right side view thereof, the left side being identical to the right side;  
FIG. 3 is a front view thereof;  
FIG. 4 is a bottom view thereof;  
FIG. 5 is a rear view thereof; and,  
FIG. 6 is a top view thereof.

**1 Claim, 3 Drawing Sheets**

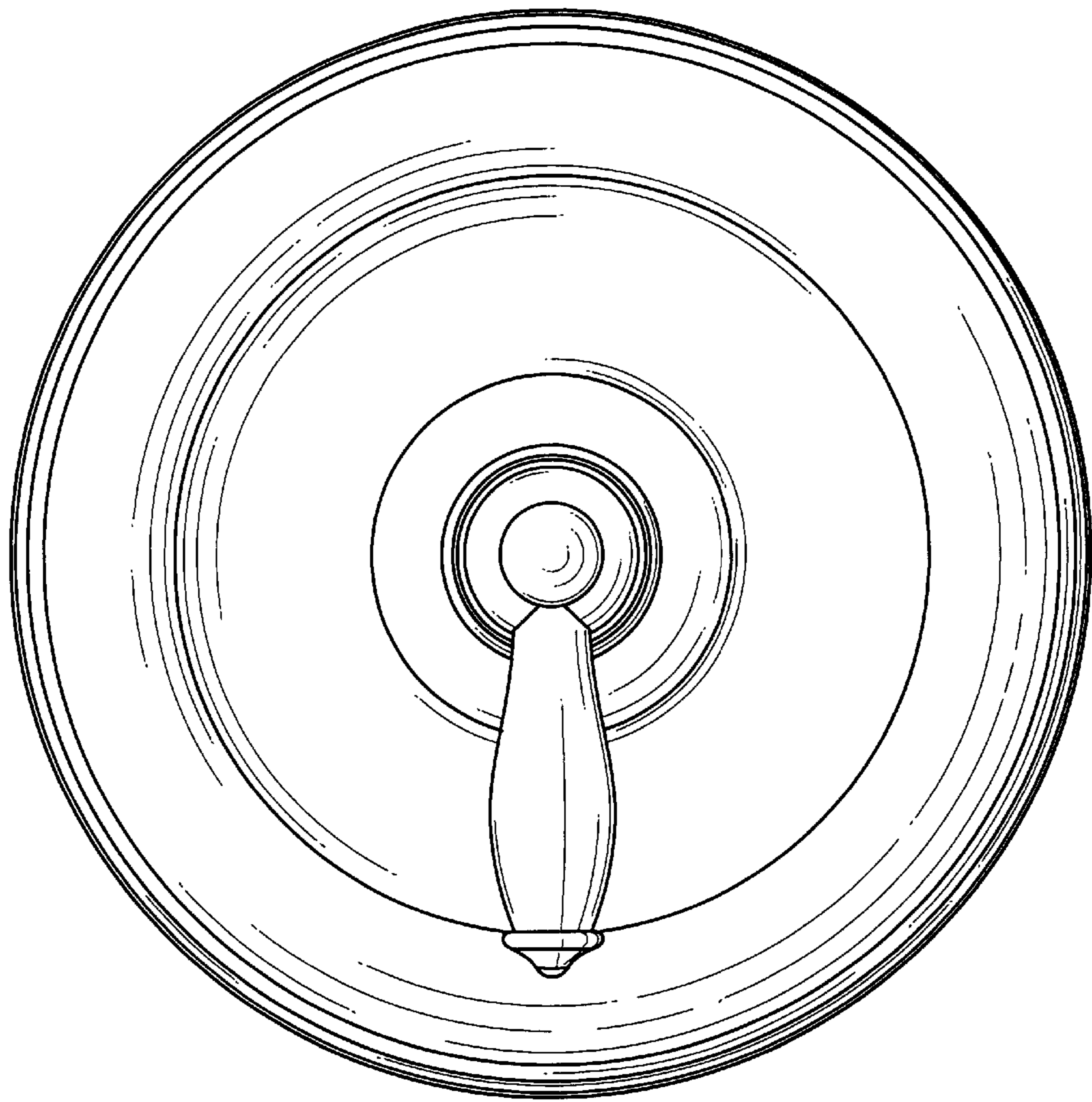




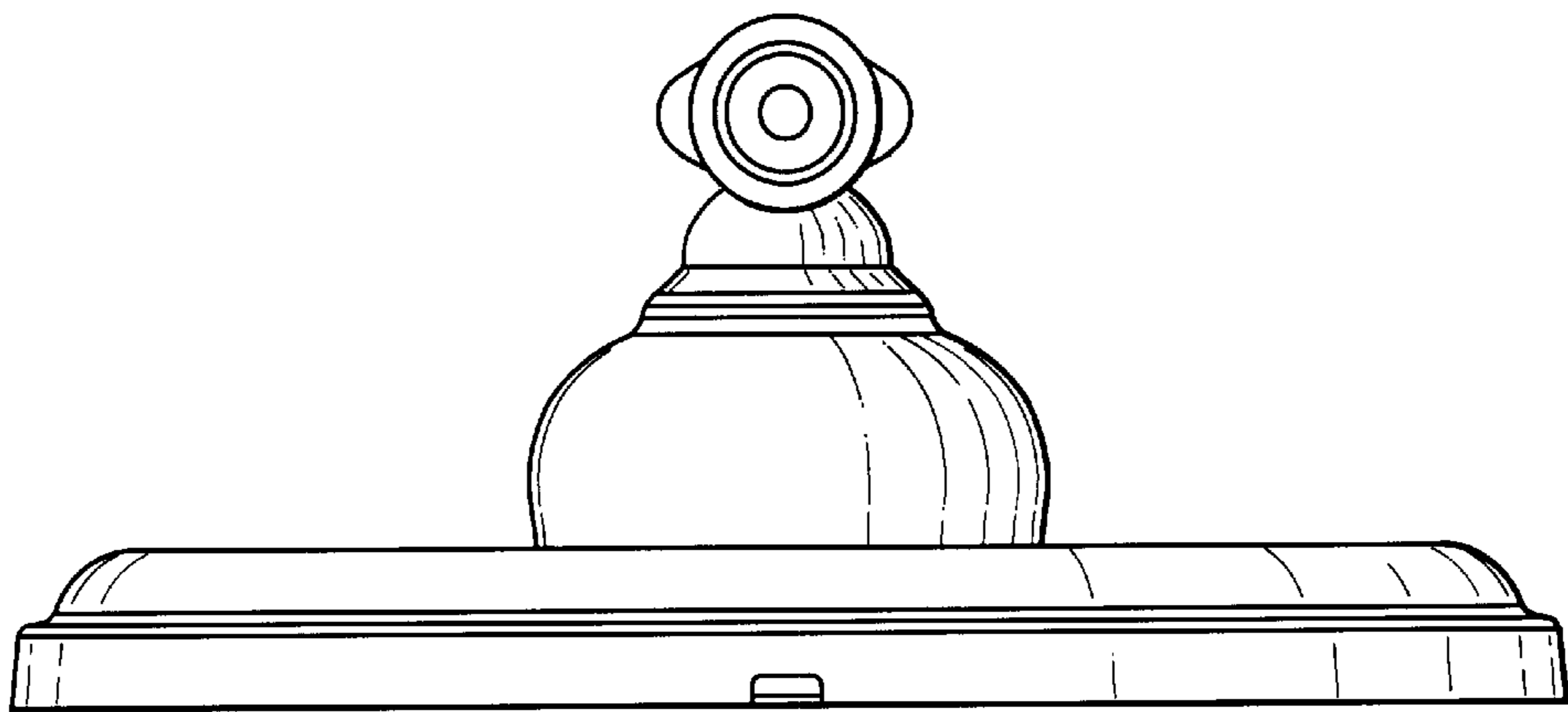
*Fig. 1*



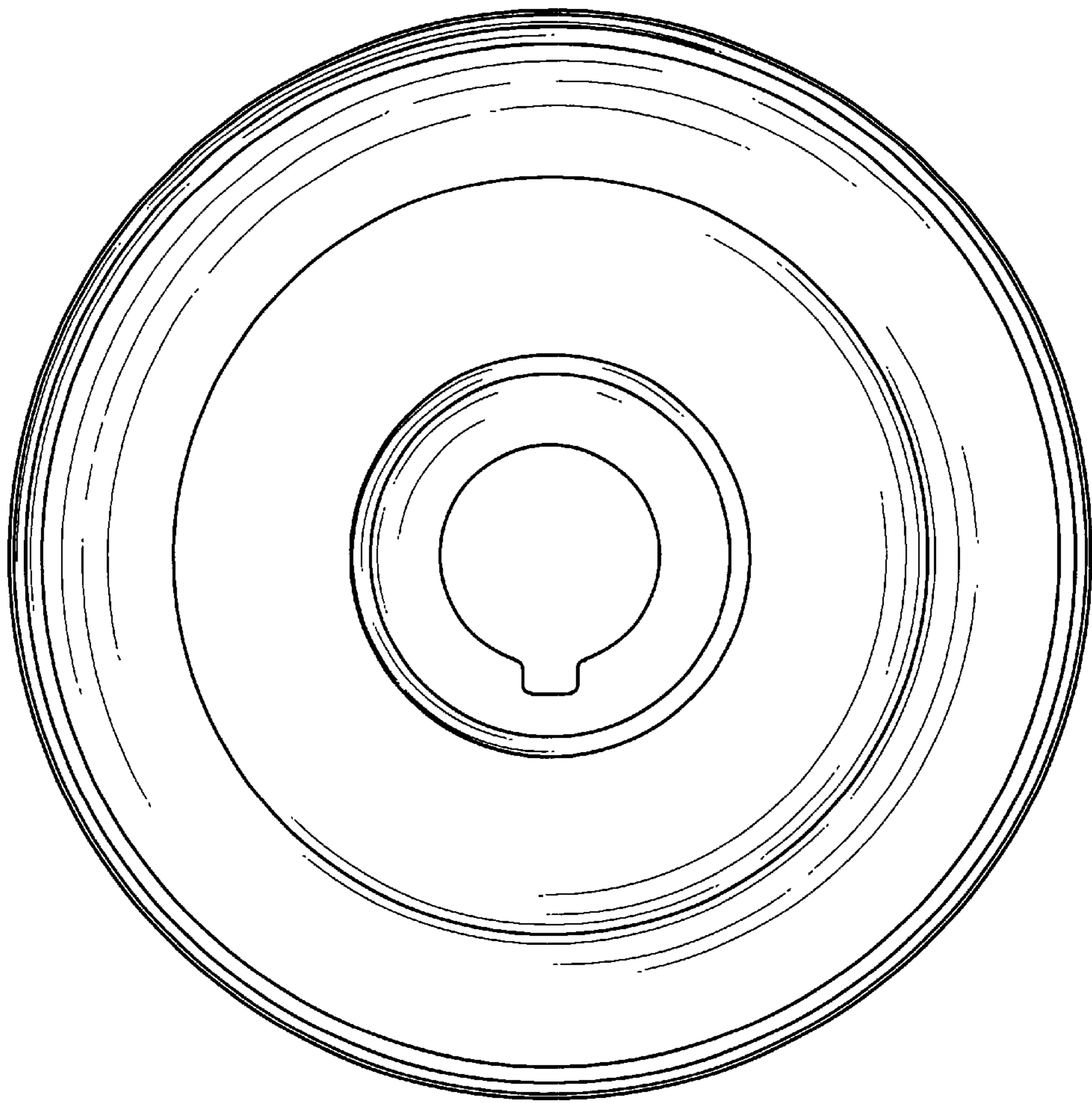
*Fig. 2*



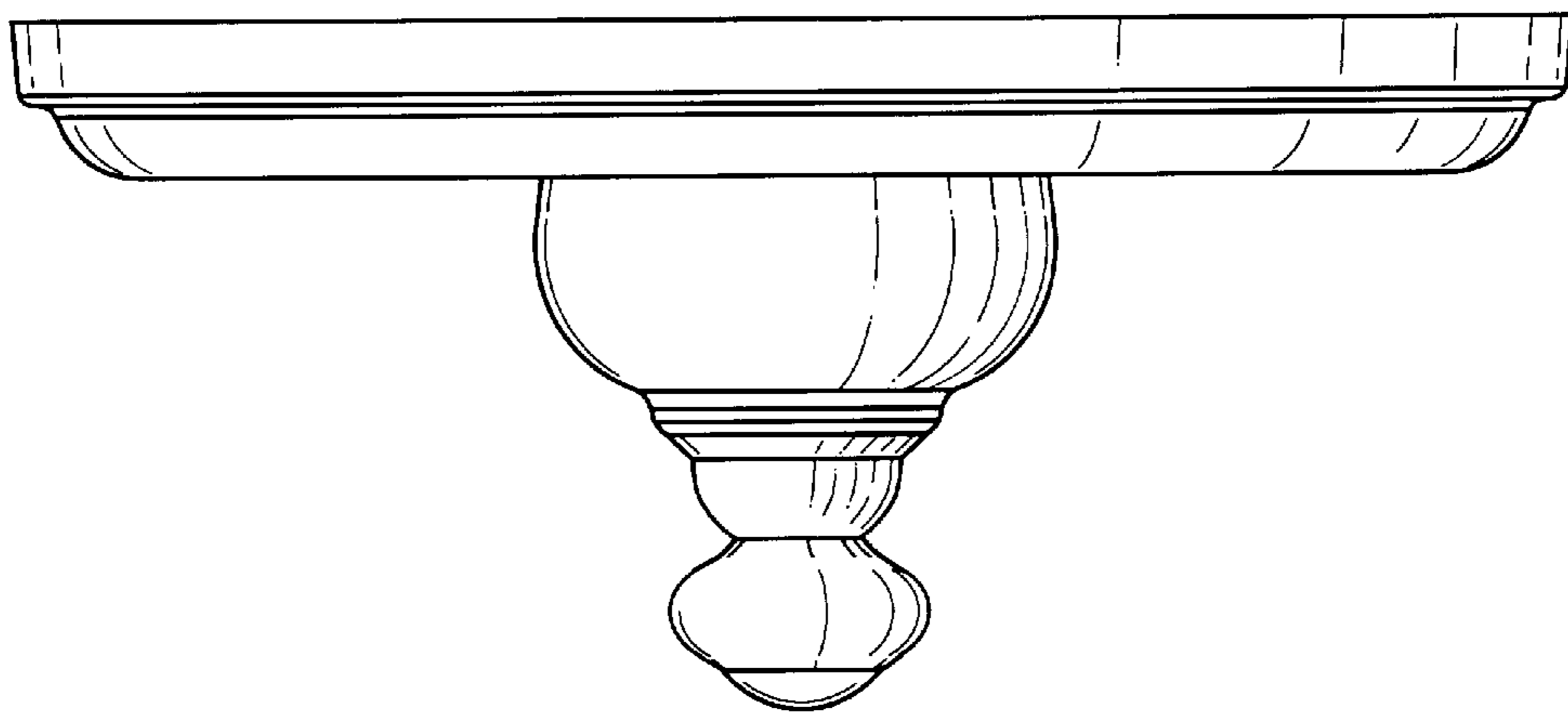
*Fig. 3*



*Fig. 4*



*Fig. 5*



*Fig. 6*