



US00D476397S

(12) **United States Design Patent**
Ouyoung

(10) **Patent No.:** **US D476,397 S**

(45) **Date of Patent:** **** Jun. 24, 2003**

(54) **FAUCET SET**

(75) **Inventor:** **Scott Ouyoung**, Taichung (TW)

(73) **Assignee:** **Globe Union Industrial Corp.**,
Taichung (TW)

(**) **Term:** **14 Years**

(21) **Appl. No.:** **29/171,973**

(22) **Filed:** **Dec. 4, 2002**

(51) **LOC (7) Cl.** **23-01**

(52) **U.S. Cl.** **D23/238**

(58) **Field of Search** D23/238, 243,
D23/250-257; 4/675-678; 137/801

(56) **References Cited**

U.S. PATENT DOCUMENTS

D437,394 S * 2/2001 Mark et al. D23/238
D465,558 S * 11/2002 Ouyoung et al. D23/242

* cited by examiner

Primary Examiner—Louis S. Zarfaz
Assistant Examiner—Gregory Andoll
(74) *Attorney, Agent, or Firm*—Leong C. Lei

(57) **CLAIM**

The ornamental design for a faucet set, as shown and described.

DESCRIPTION

FIG. 1 is perspective view of a faucet set showing my new design;

FIG. 2 is a front side elevation view thereof;

FIG. 3 is a left side elevation view thereof;

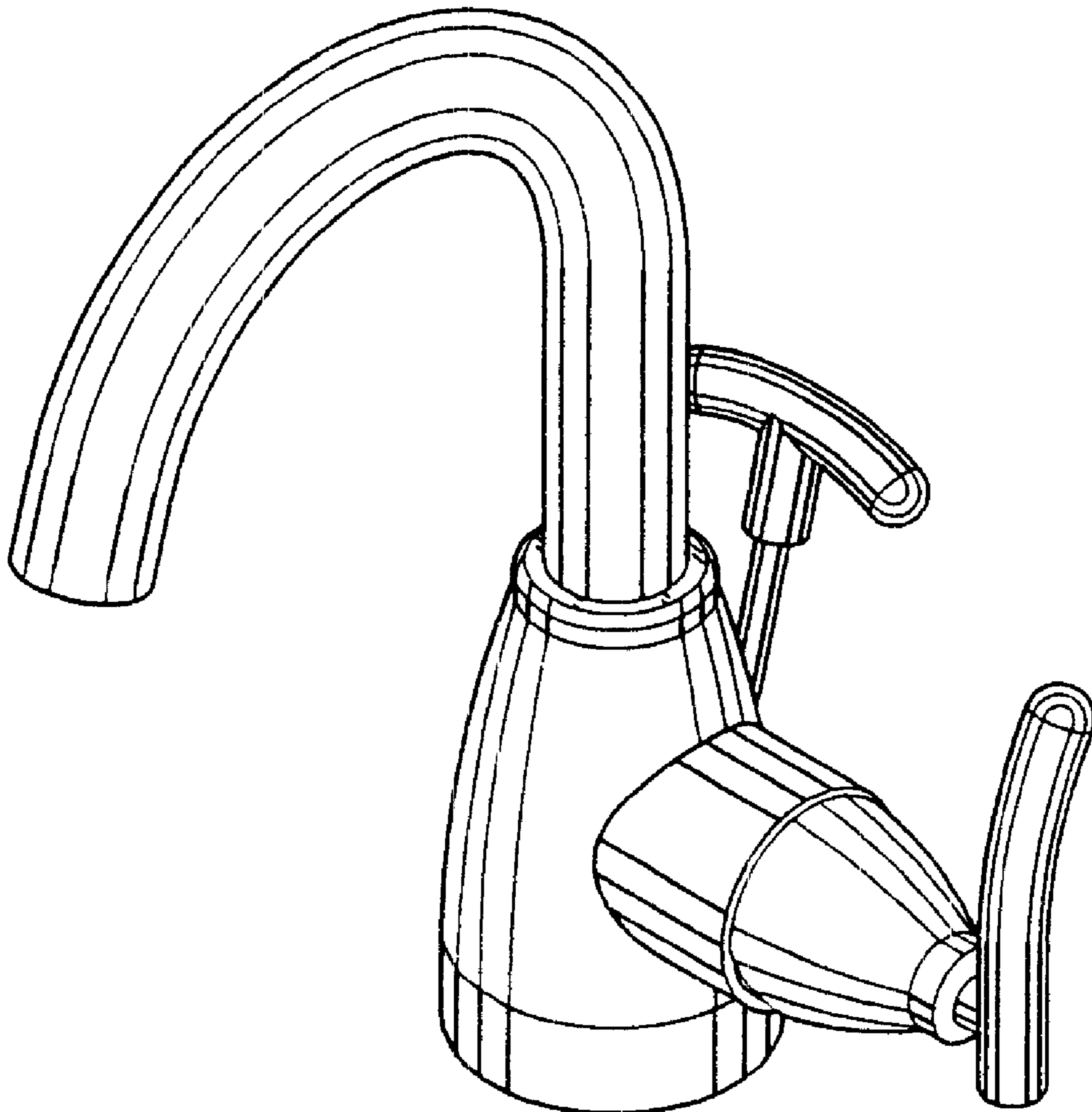
FIG. 4 is a right side elevation view thereof;

FIG. 5 is a rear side elevation view thereof;

FIG. 6 is a top plan view thereof; and,

FIG. 7 is a bottom plan view thereof.

1 Claim, 4 Drawing Sheets



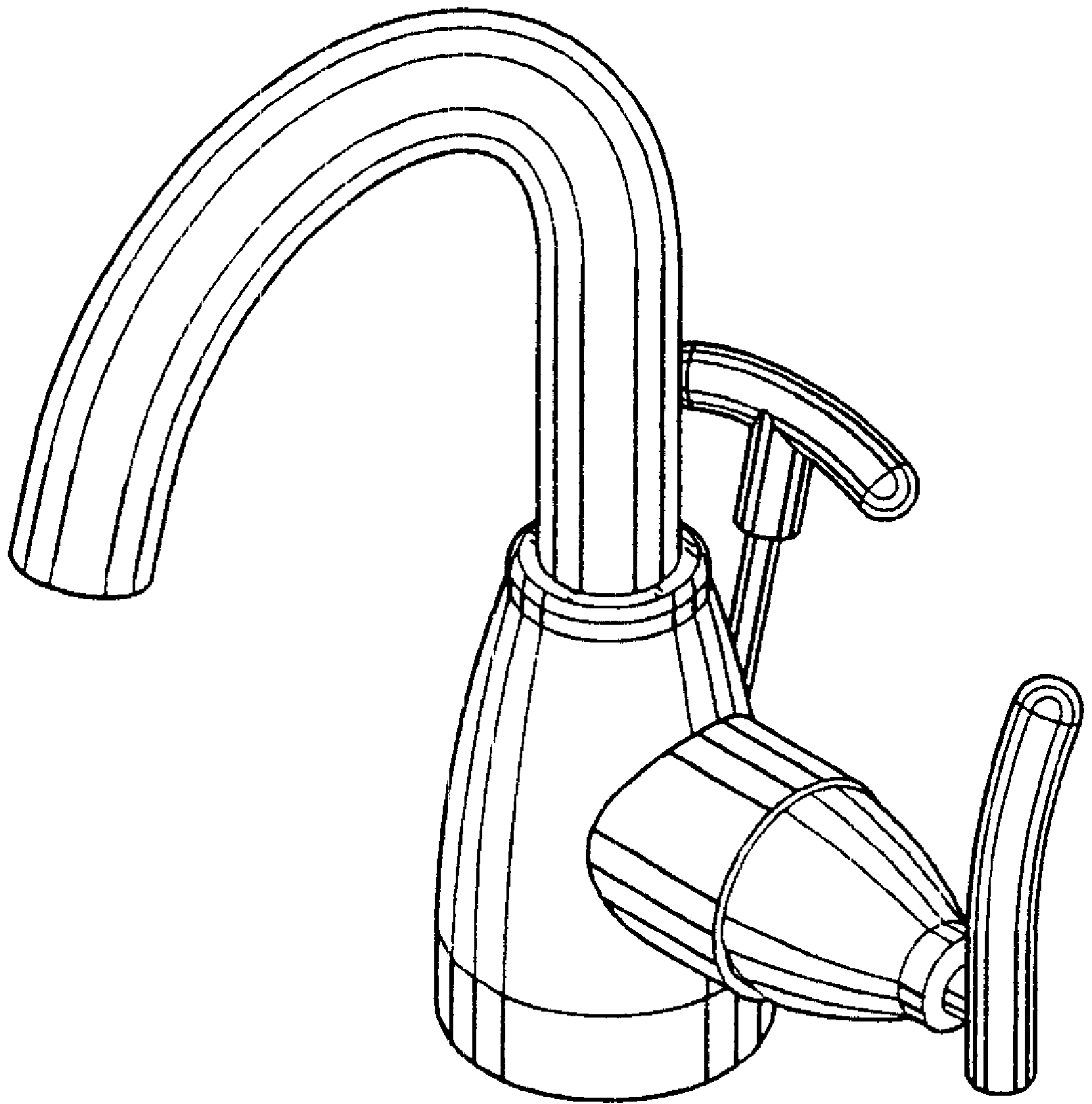


FIG. 1

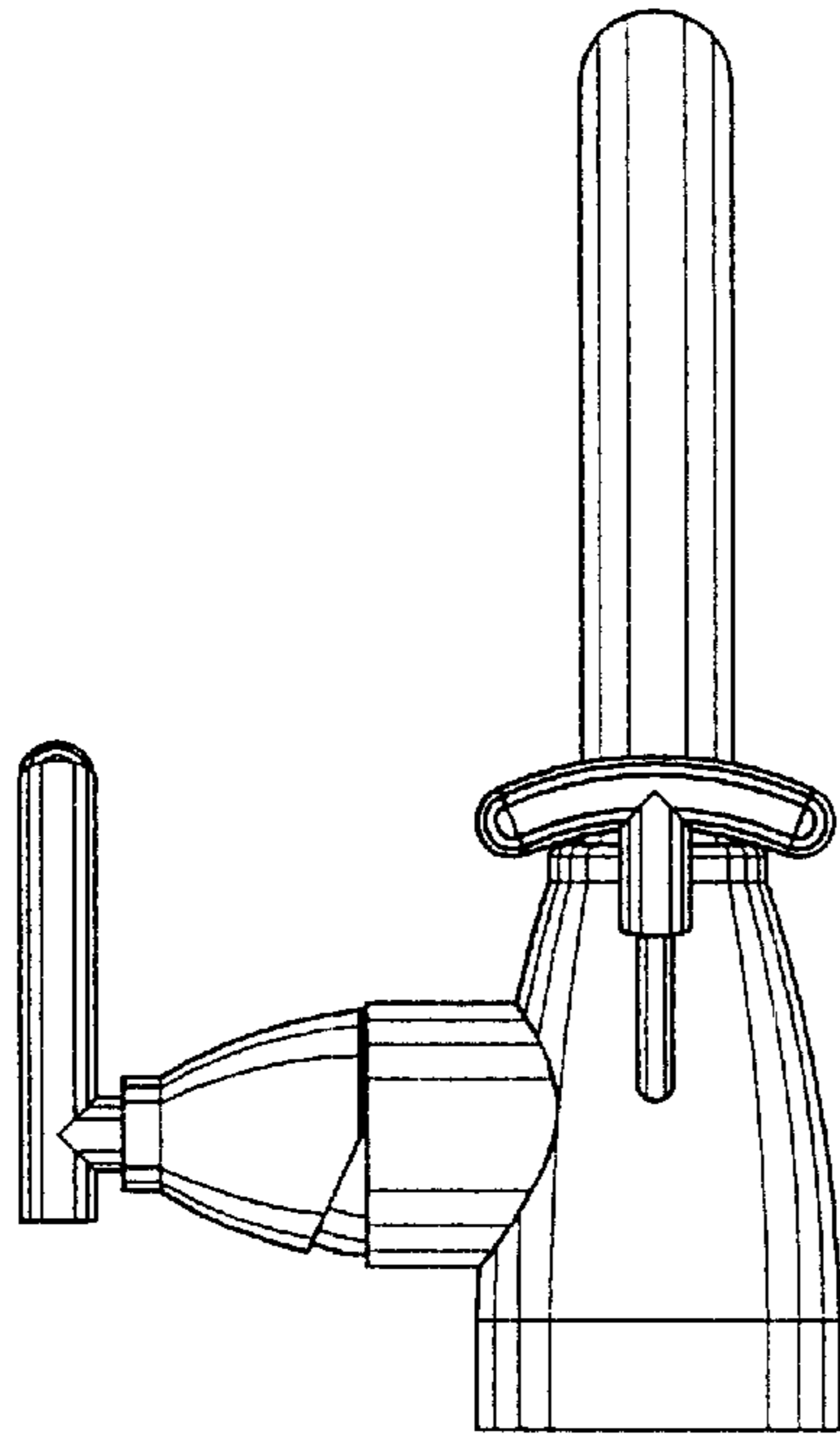


FIG. 2

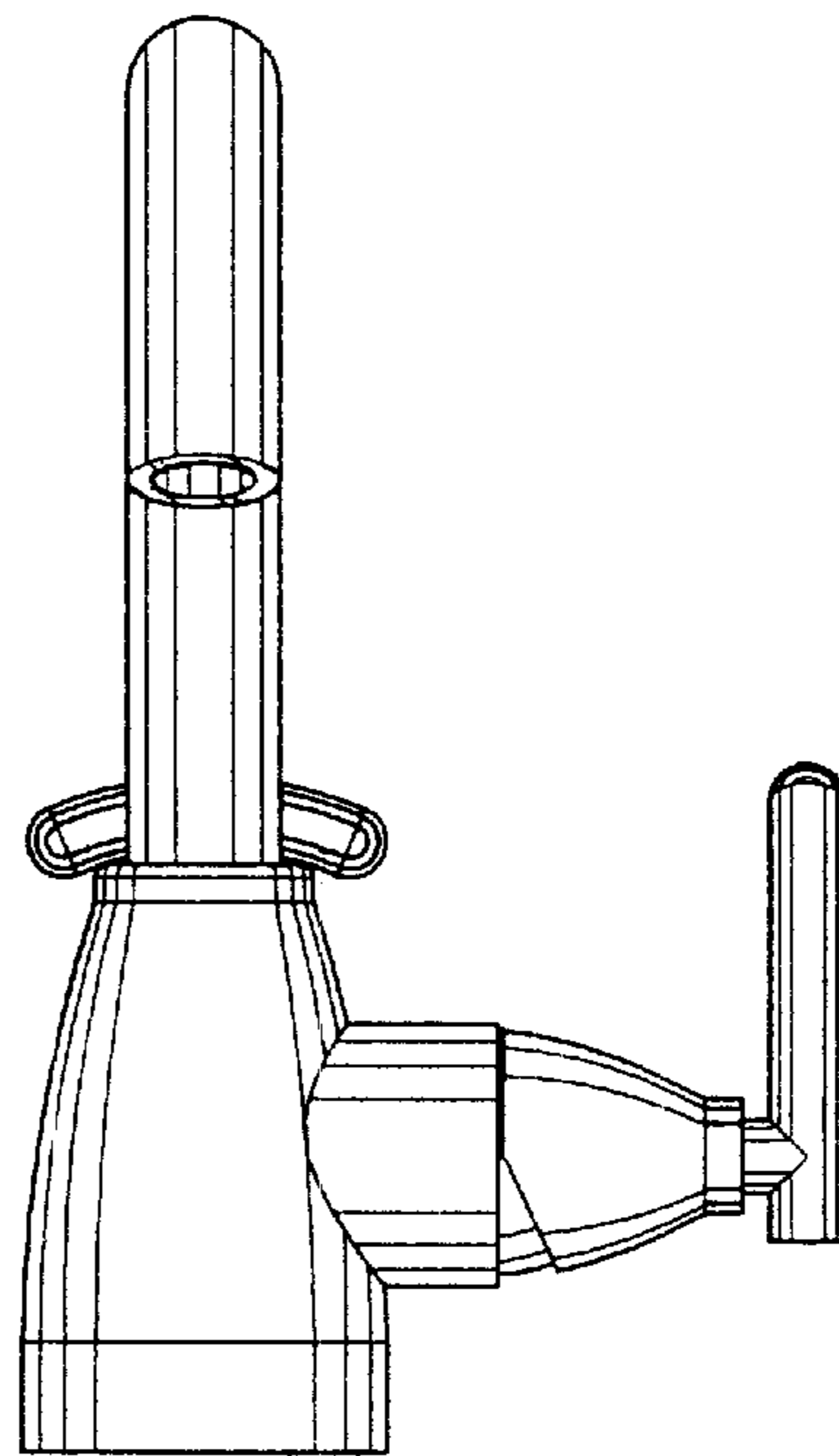


FIG. 5

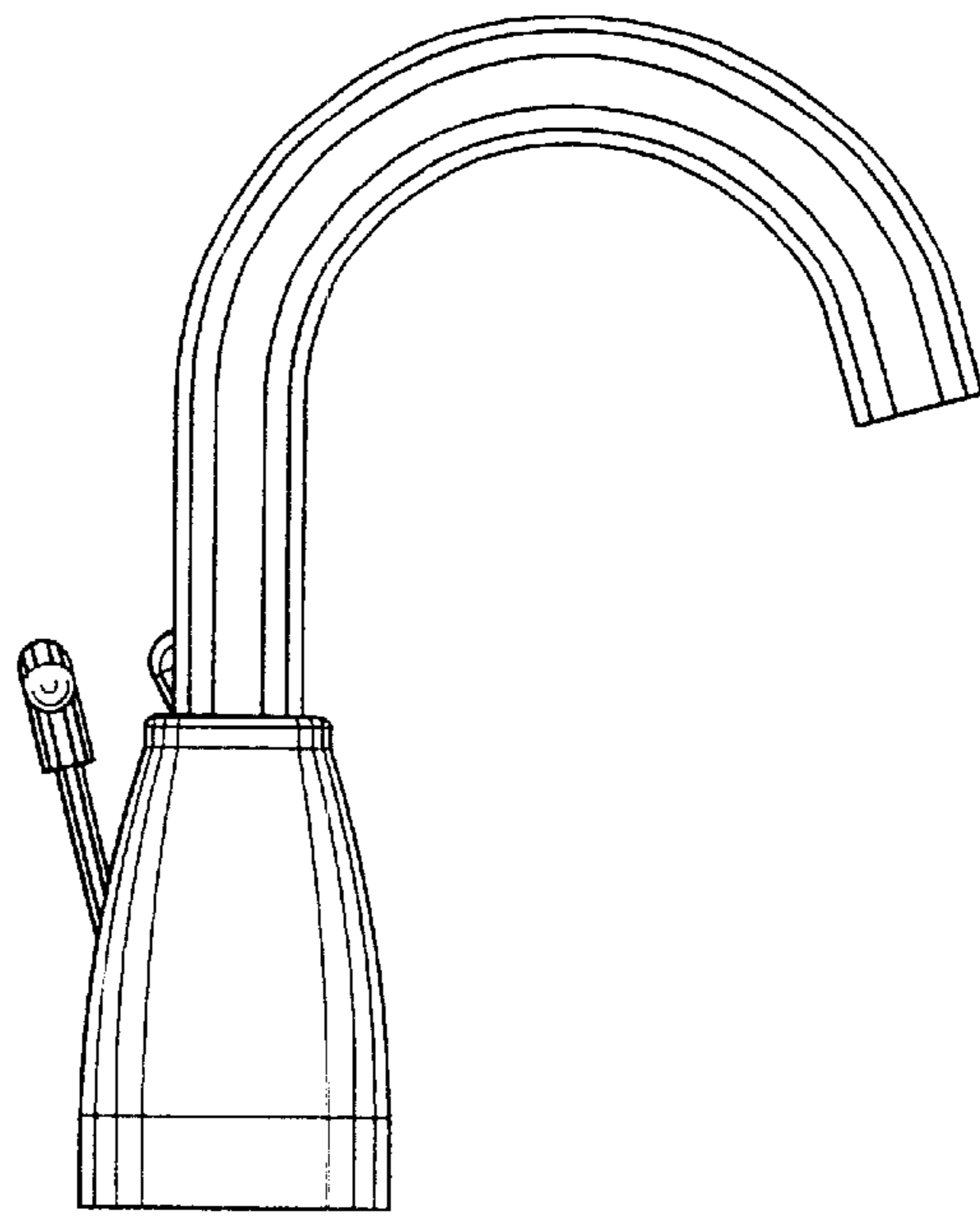


FIG. 3

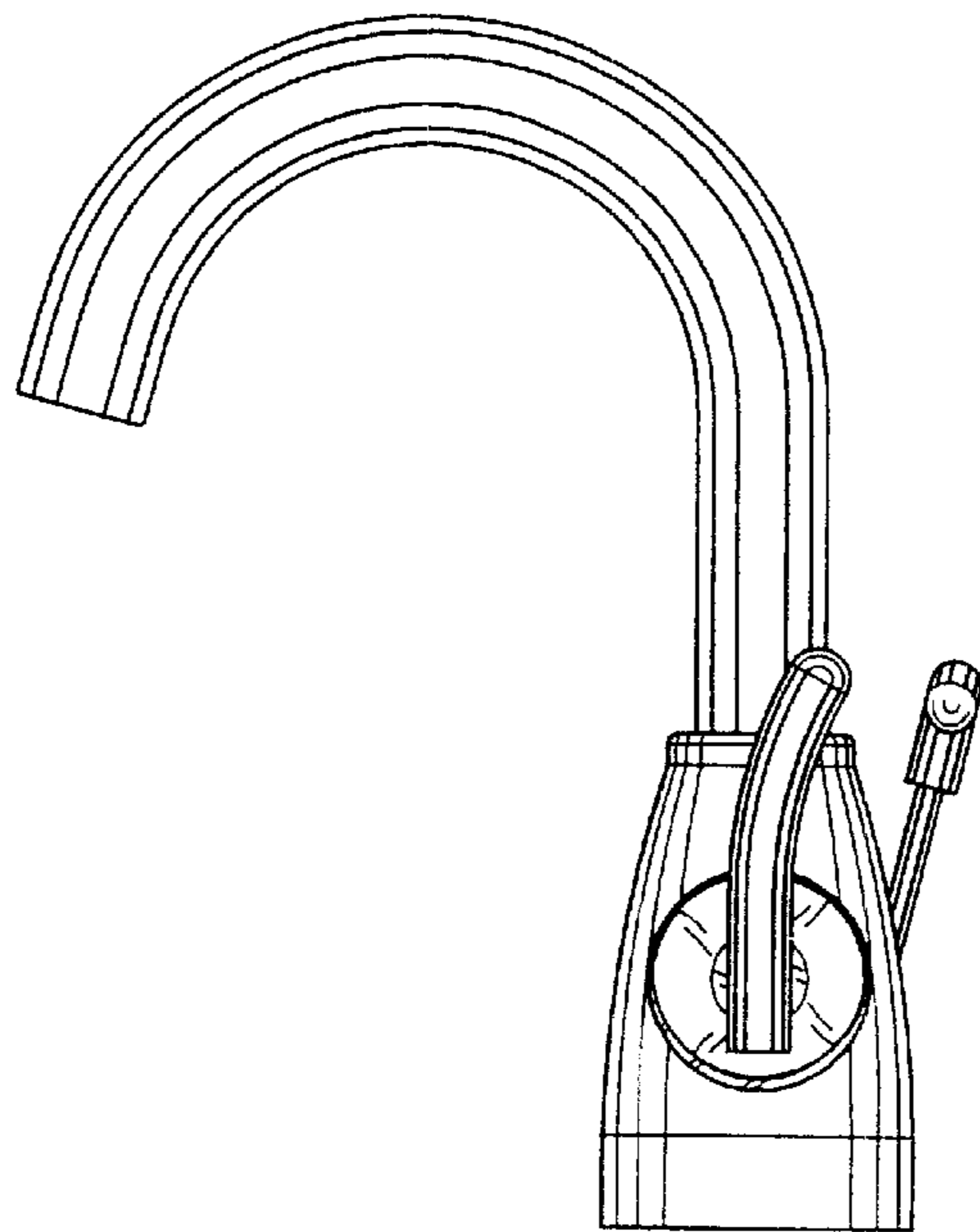


FIG. 4

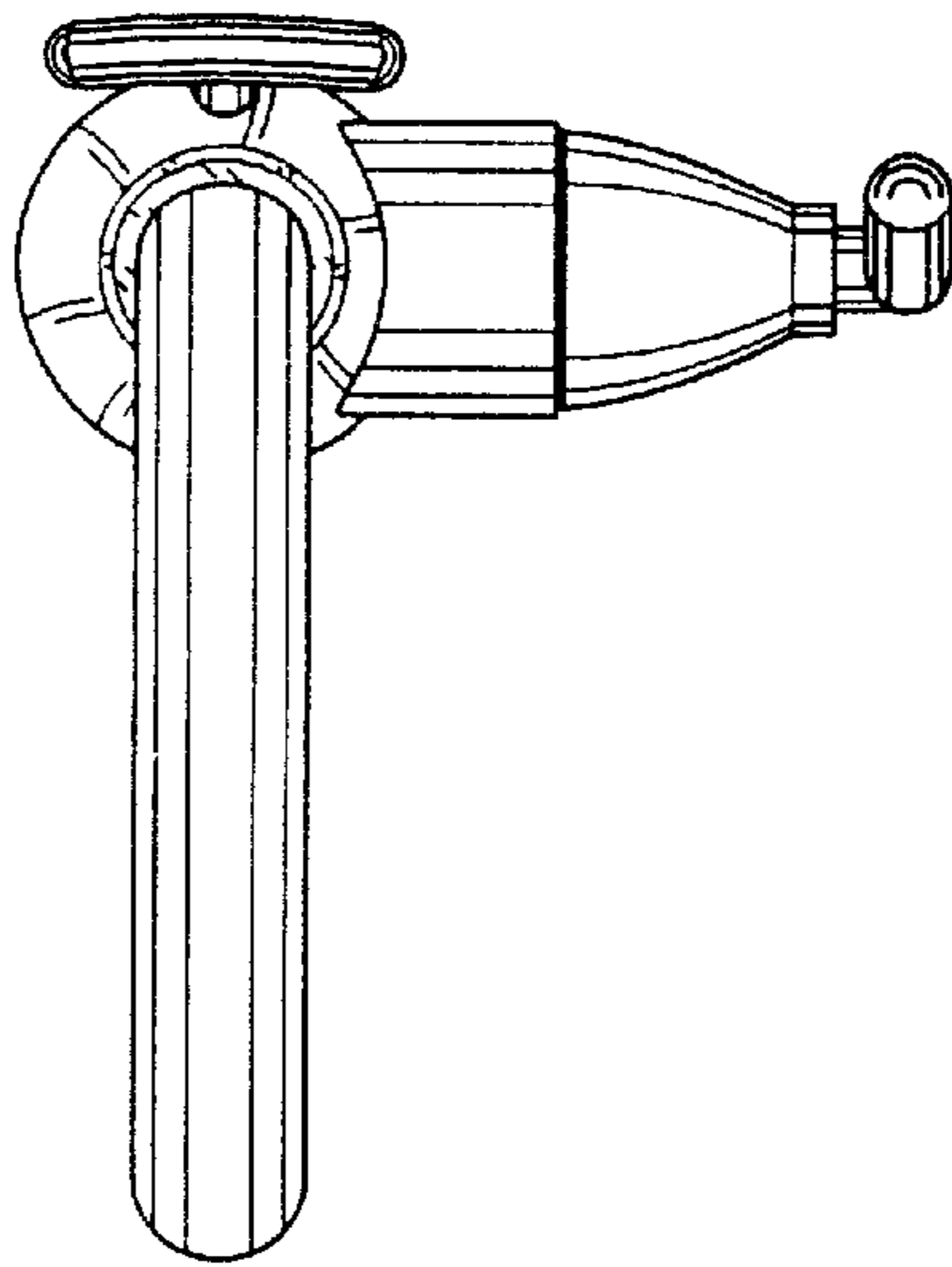


FIG. 6

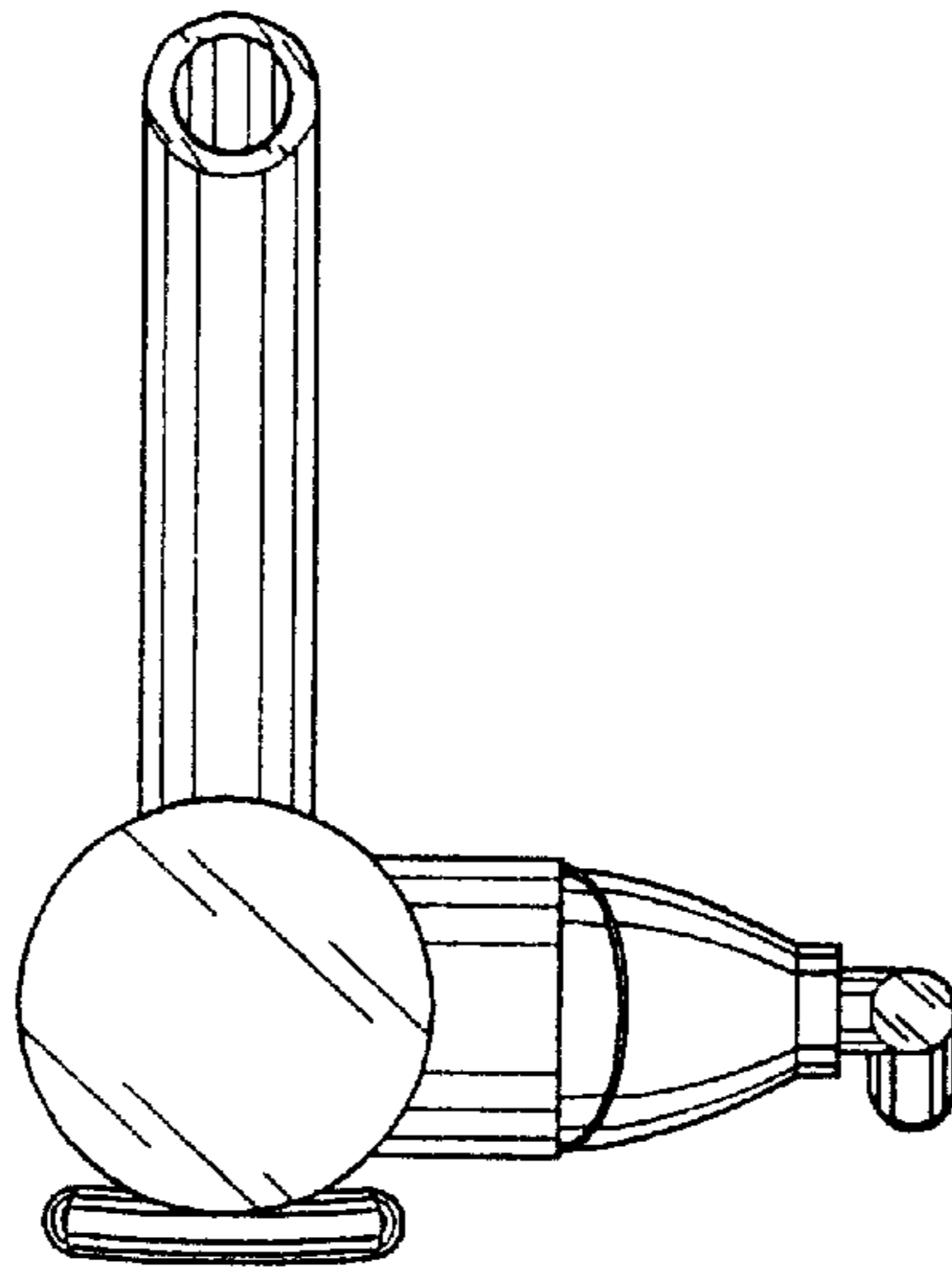


FIG. 7