



US00D476396S

(12) **United States Design Patent**  
**Hanna**

(10) **Patent No.:** **US D476,396 S**

(45) **Date of Patent:** **\*\* Jun. 24, 2003**

(54) **FAUCET**

(75) **Inventor:** **Aaron E. Hanna**, Redlands, CA (US)

(73) **Assignee:** **Newfrey LLC**, Newark, DE (US)

(\*\*) **Term:** **14 Years**

(21) **Appl. No.:** **29/171,769**

(22) **Filed:** **Nov. 27, 2002**

(51) **LOC (7) Cl.** ..... **23-01**

(52) **U.S. Cl.** ..... **D23/238**

(58) **Field of Search** ..... D23/238-243,  
D23/250-257; 4/675-678; 137/801

(56) **References Cited**

**U.S. PATENT DOCUMENTS**

D324,905 S	3/1992	Cretien	
D373,177 S	8/1996	Jans	
D388,158 S	12/1997	Doughty et al.	
D394,698 S	* 5/1998	Krause	D23/238
D397,423 S	* 8/1998	Short et al.	D23/238
D400,648 S	11/1998	Fabian et al.	
D416,078 S	11/1999	Lord	
D421,291 S	2/2000	Fabian et al.	
D428,474 S	* 7/2000	Milrud et al.	D23/252
D432,635 S	* 10/2000	Spangler	D23/255
D441,837 S	5/2001	Fabian et al.	

D443,338 S	6/2001	Chang
D443,340 S	6/2001	Aldred et al.
D448,832 S	10/2001	Fabian et al.

\* cited by examiner

*Primary Examiner*—Louis S. Zarfes

*Assistant Examiner*—Gregory Andoll

(74) *Attorney, Agent, or Firm*—Richard J. Veltman; John D. Del Ponti

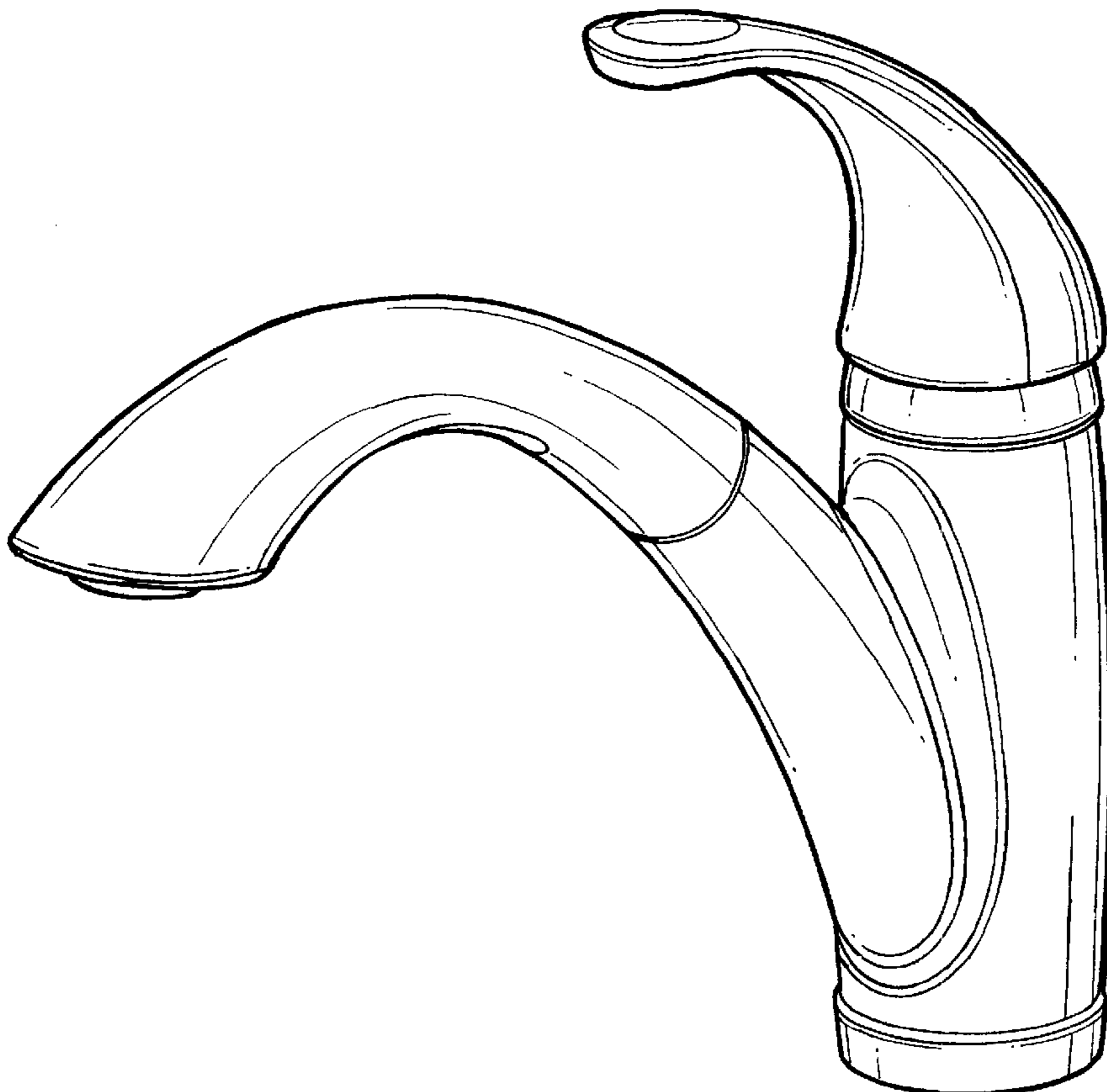
(57) **CLAIM**

The ornamental design for a faucet, as shown and described.

**DESCRIPTION**

FIG. 1 is a perspective view of the new design for a faucet; FIG. 2 is a front elevational view of the new design for a faucet; FIG. 3 is a rear elevational view of the new design for a faucet; FIG. 4 is a right side elevational view of the new design for a faucet; FIG. 5 is a left side elevational view of the new design for a faucet; FIG. 6 is a top plan view of the new design for a faucet; and, FIG. 7 is a bottom plan view of the new design for a faucet. The broken lines in the Figures are for illustrative purposes only and form no part of the claimed design.

**1 Claim, 4 Drawing Sheets**



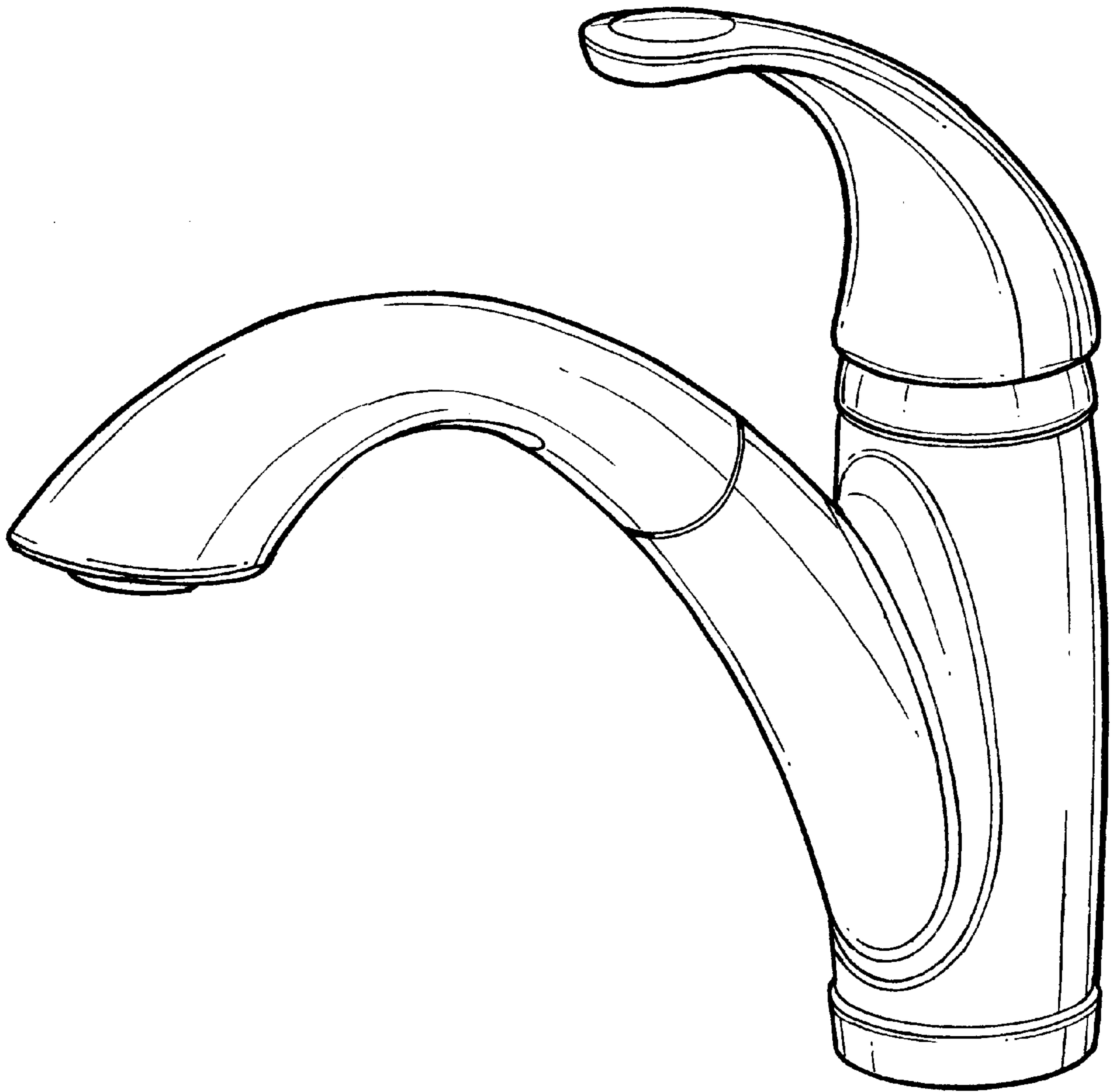


FIG. 1

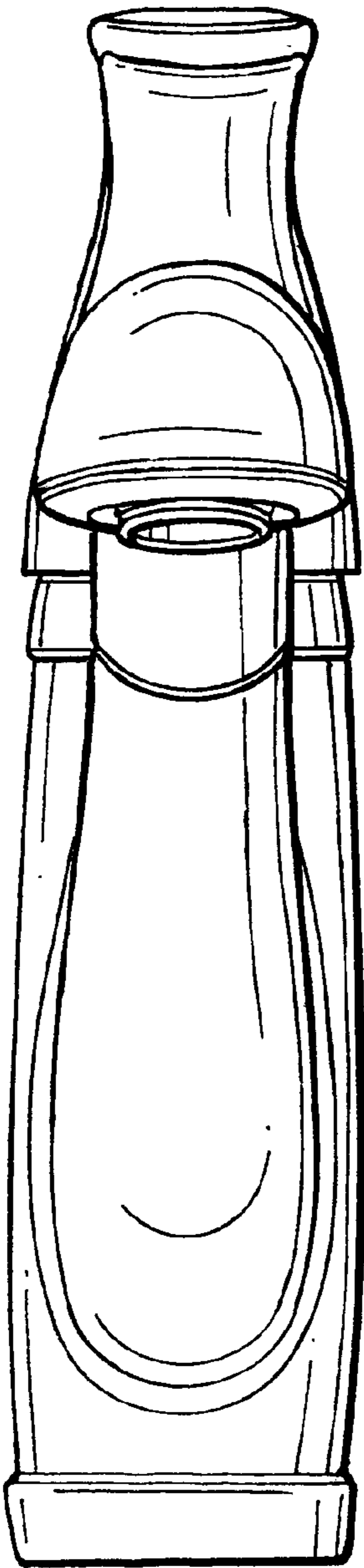


FIG. 2

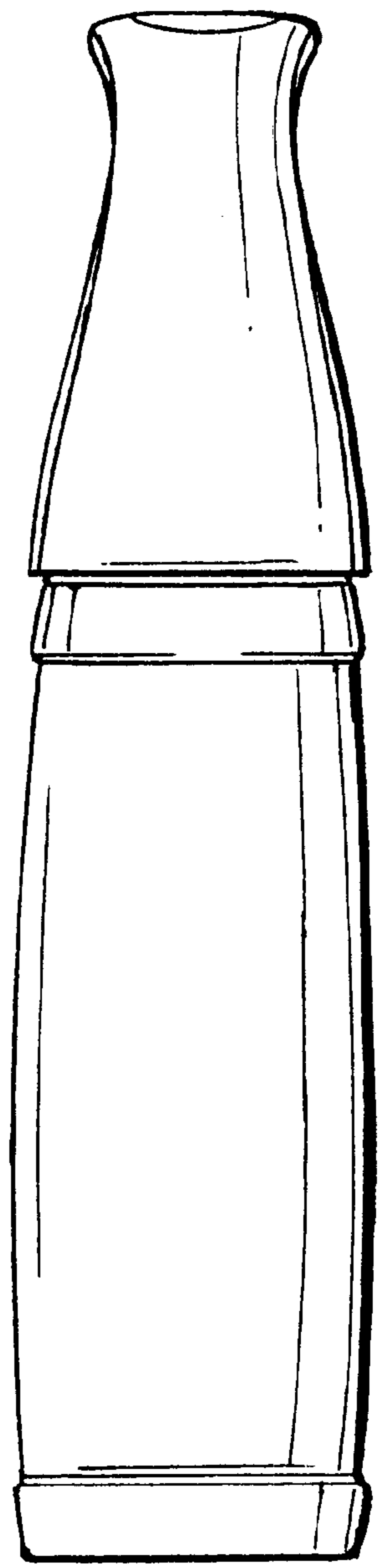


FIG. 3

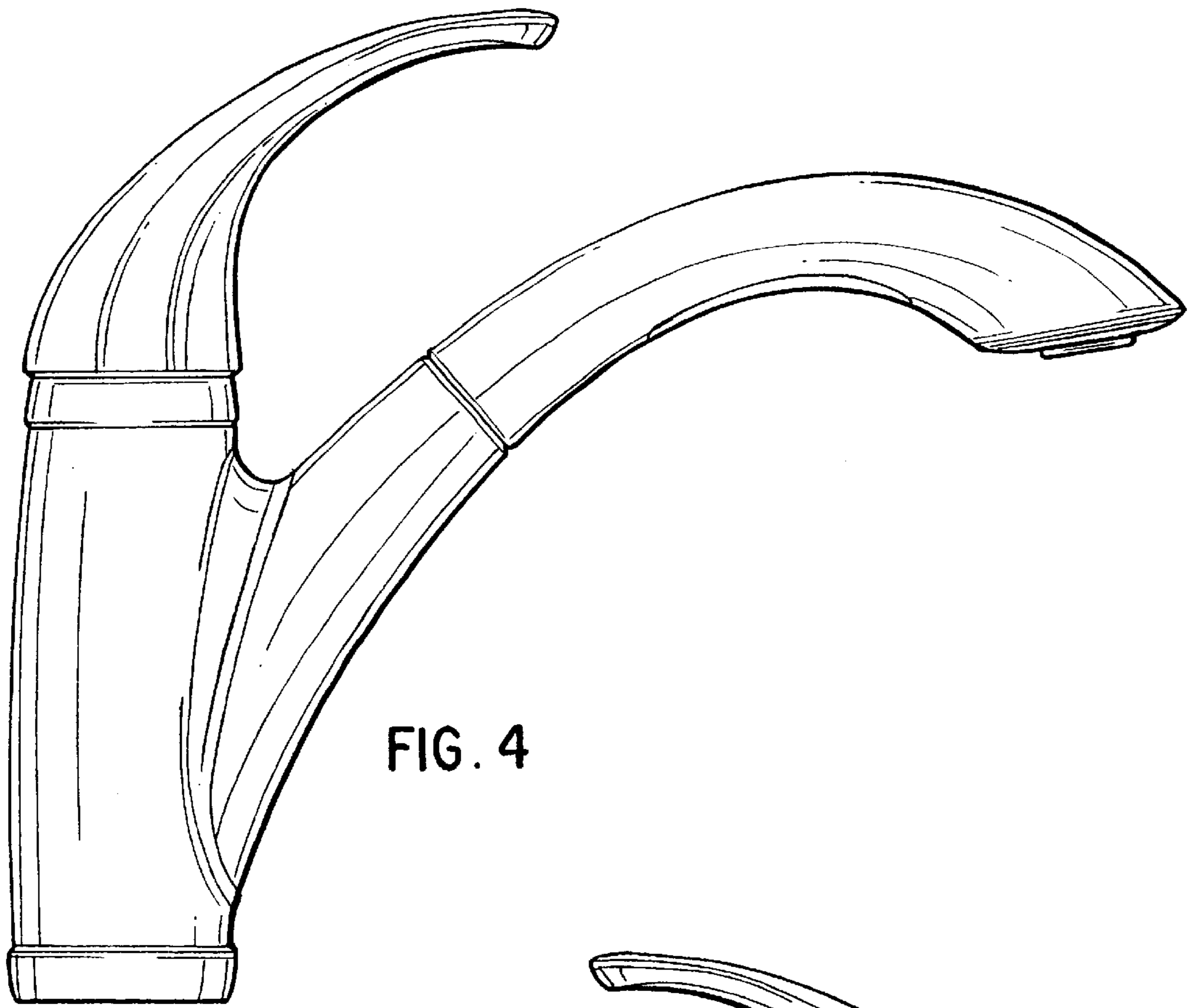


FIG. 4

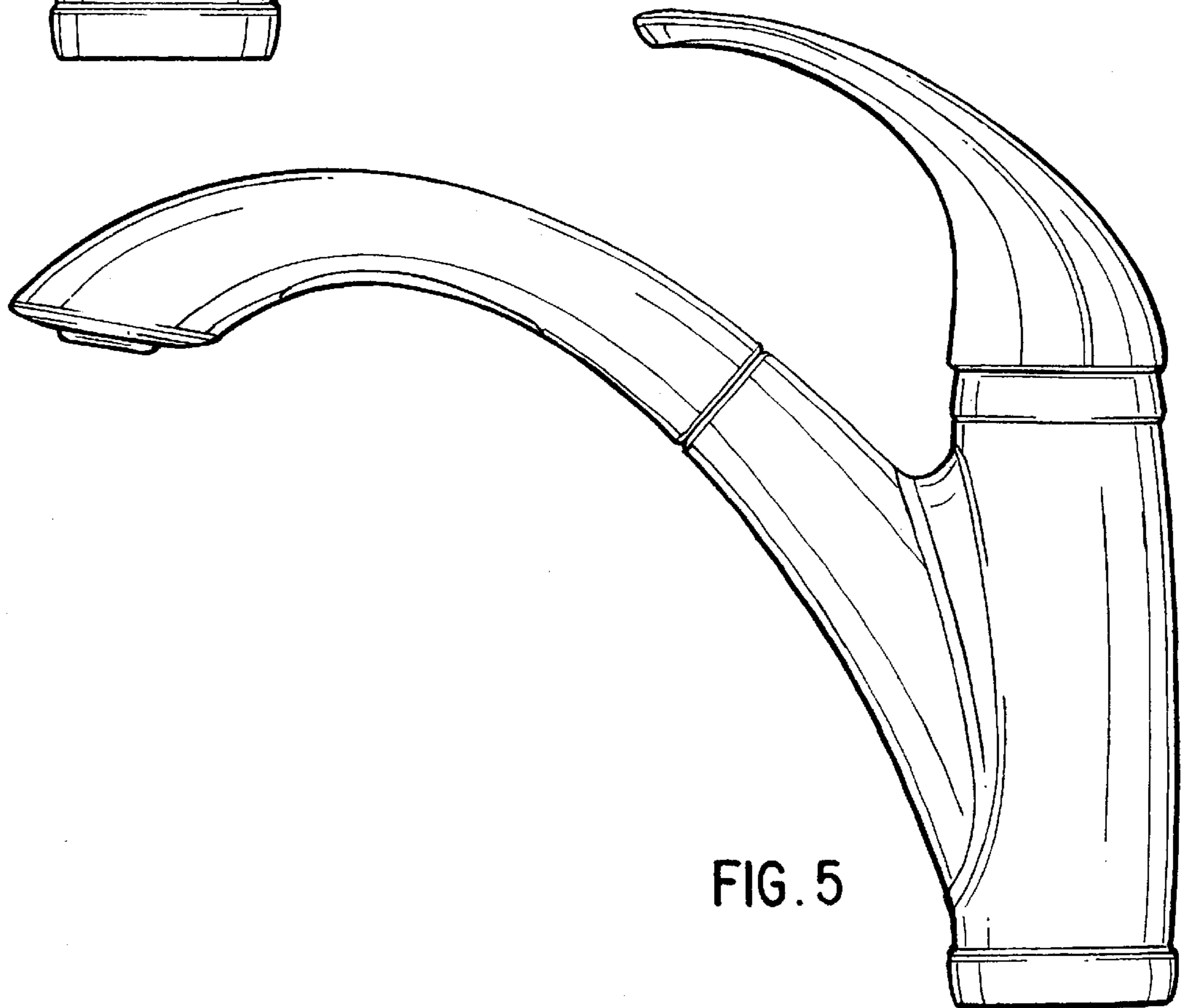


FIG. 5

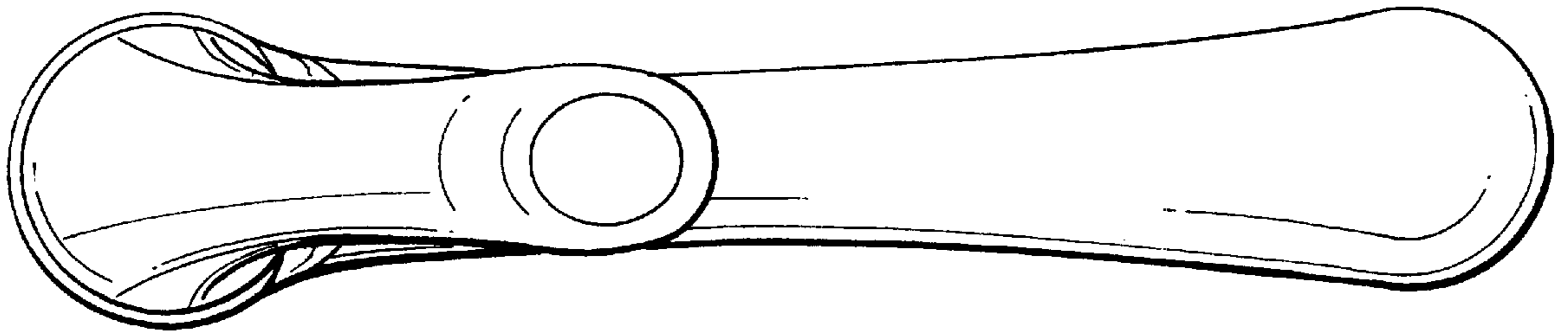


FIG. 6

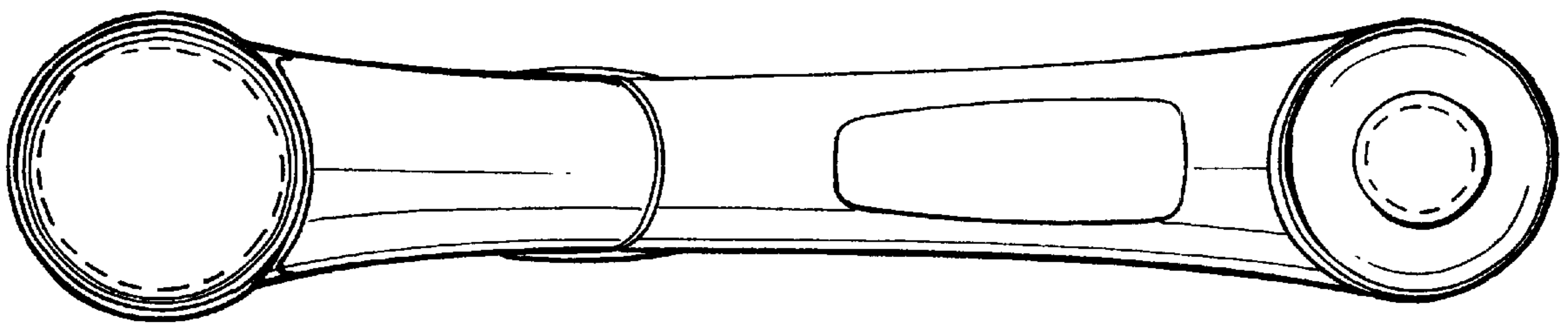


FIG. 7