



US00D476394S

(12) **United States Design Patent**
Trbovich, Jr.

(10) **Patent No.:** **US D476,394 S**

(45) **Date of Patent:** **** Jun. 24, 2003**

(54) **KNIFE SHEATH**

D443,759 S * 6/2001 Bloch D3/220

(75) Inventor: **Nicholas Trbovich, Jr.**, Orchard Park, NY (US)

* cited by examiner

(73) Assignee: **The Ontario Knife Company**, Franklinville, NY (US)

Primary Examiner—Catherine R. Oliver
(74) *Attorney, Agent, or Firm*—Ronald S. Kareken; Jaeckle Fleischmann & Mugel, LLP

(**) Term: **14 Years**

(57) **CLAIM**

(21) Appl. No.: **29/159,274**

An ornamental design for a knife sheath, as shown and described.

(22) Filed: **Apr. 18, 2002**

DESCRIPTION

(51) **LOC (7) Cl.** **22-02**

(52) **U.S. Cl.** **D22/118; D3/220**

(58) **Field of Search** D3/220; D22/117, D22/118; D8/95, 93; 30/151, 162; 224/233, 240, 242

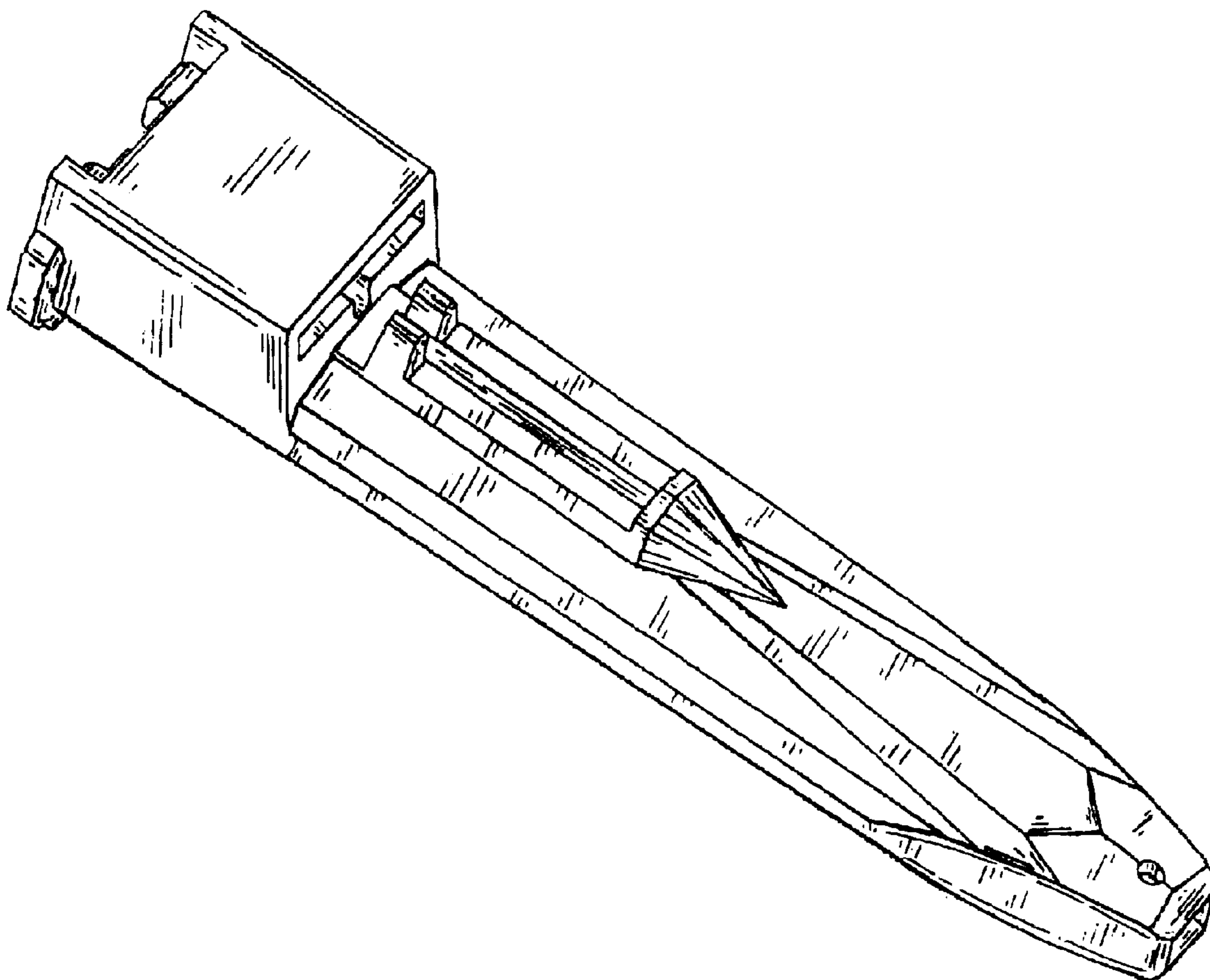
FIG. 1 is an isometric view of a preferred embodiment of the design showing the front, bottom and right sides; FIG. 2 is a front view of the preferred embodiment; FIG. 3 is a bottom view of the preferred embodiment; FIG. 4 is a back view of the preferred embodiment; FIG. 5 is a left side view of the preferred embodiment; FIG. 6 is a right side view of the preferred embodiment; and, FIG. 7 is an isometric view of a second embodiment of the design having a honing rod attached.

(56) **References Cited**

U.S. PATENT DOCUMENTS

D334,791 S * 4/1993 Collins D22/118
D424,906 S * 5/2000 May et al. D3/220

1 Claim, 3 Drawing Sheets



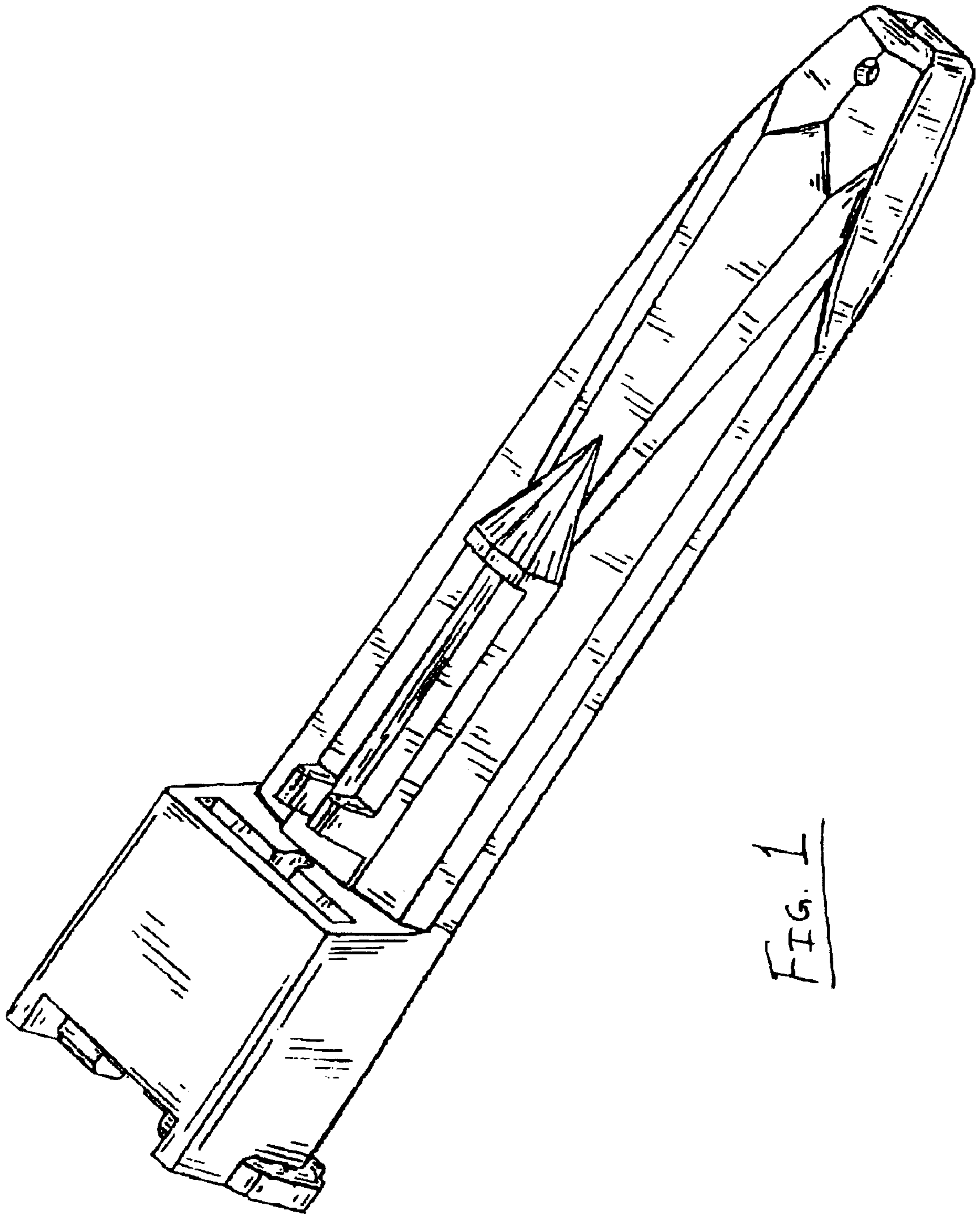


FIG. 1

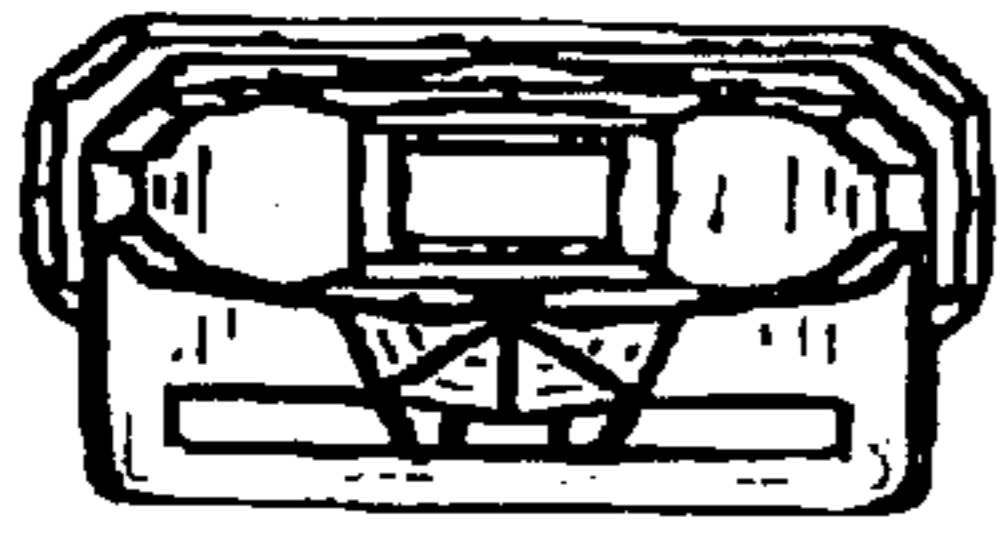


FIG. 6

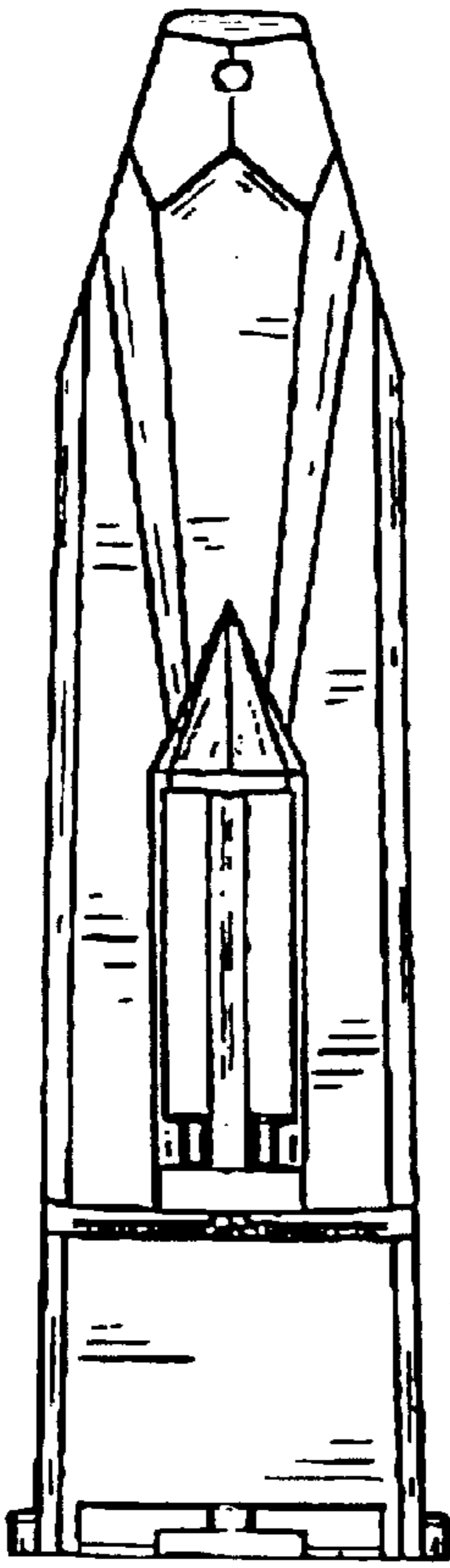


FIG. 2

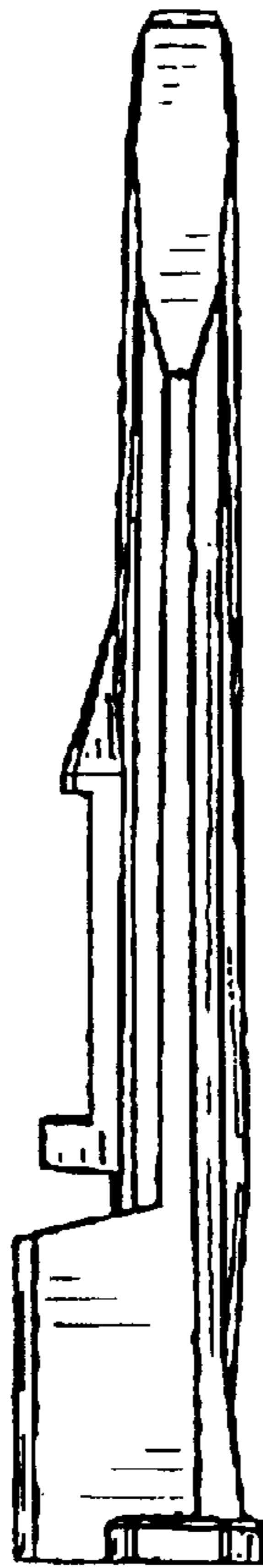


FIG. 3

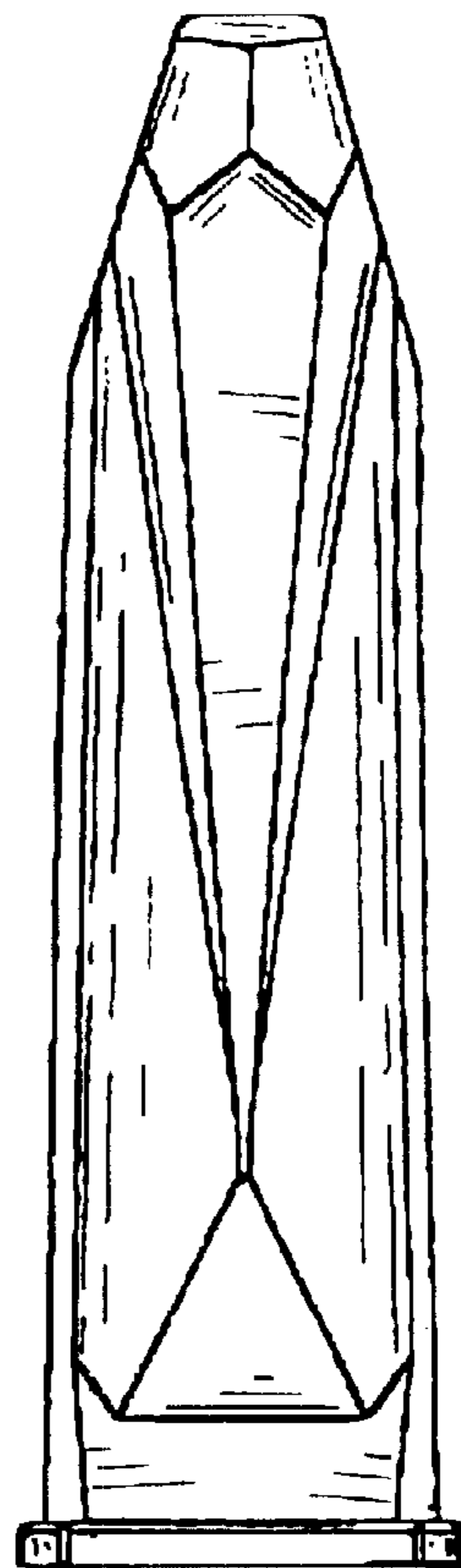


FIG. 4

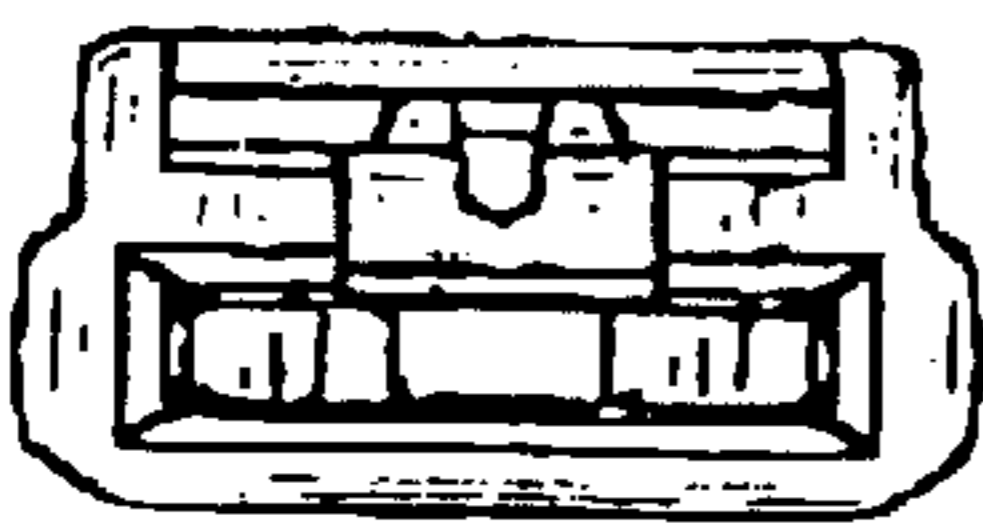


FIG. 5

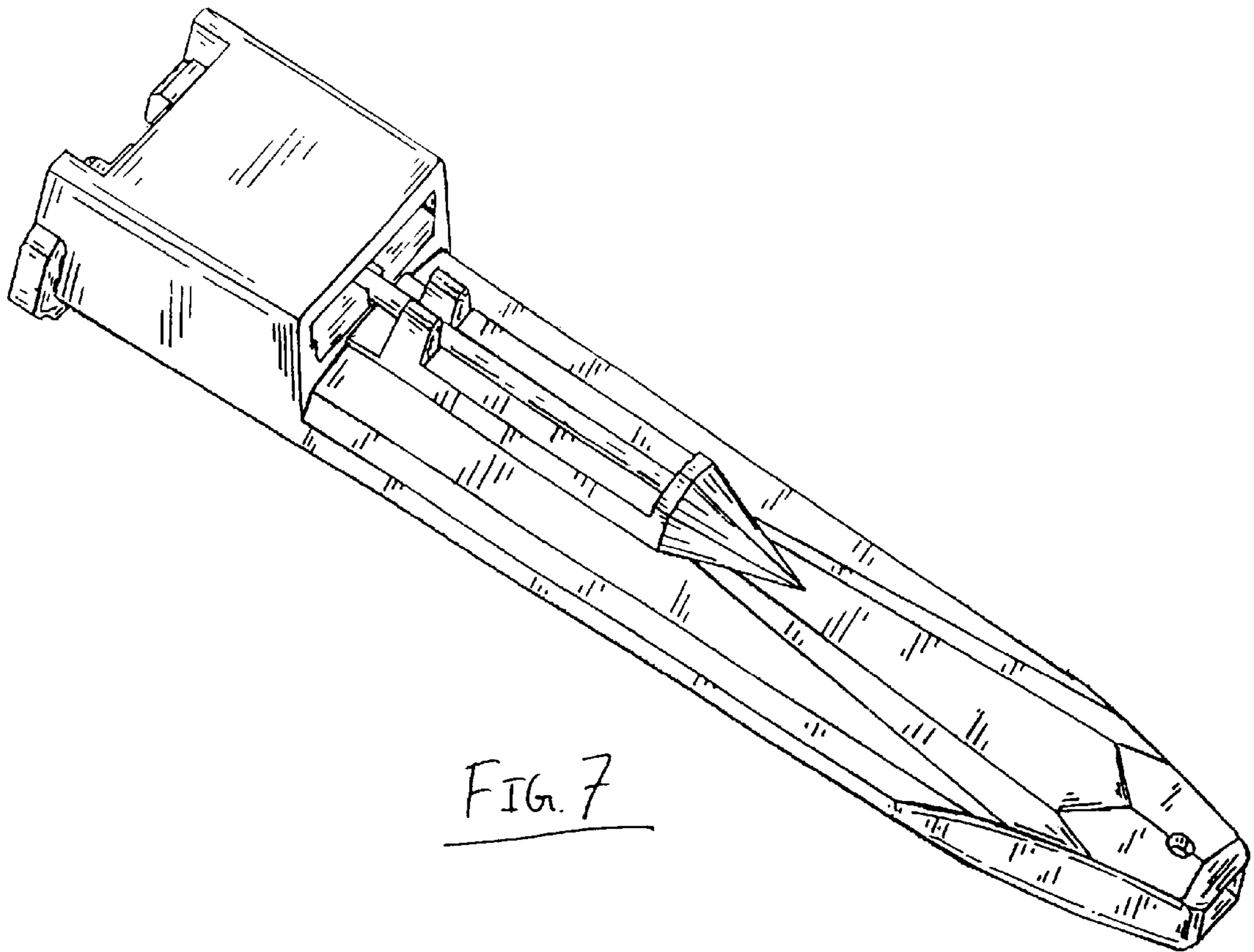


FIG. 7