



US00D476390S

(12) **United States Design Patent**
Peterson

(10) **Patent No.:** **US D476,390 S**

(45) **Date of Patent:** **** Jun. 24, 2003**

(54) **INFLATABLE TOWABLE VEHICLE**

Primary Examiner—Holly Baynham
(74) *Attorney, Agent, or Firm*—Sturm & Fix LLP

(75) **Inventor:** **Leroy L. Peterson, Omaha, NE (US)**

(73) **Assignee:** **Sportsstuff, Inc., Omaha, NE (US)**

(**) **Term:** **14 Years**

(57) **CLAIM**

The ornamental design for an inflatable towable vehicle, as shown and described.

(21) **Appl. No.:** **29/163,151**

(22) **Filed:** **Jun. 27, 2002**

(51) **LOC (7) Cl.** **21-02**

(52) **U.S. Cl.** **D21/803**

(58) **Field of Search** **D12/316, 317;**
D21/803; 114/210, 343; 441/40, 80, 129-132

DESCRIPTION

FIG. 1 is a perspective view of the inflatable towable vehicle showing my new design;
FIG. 2 is a top plan view thereof;
FIG. 3 is a left side elevational view thereof;
FIG. 4 is a right side elevational view thereof;
FIG. 5 is a bottom plan view thereof;
FIG. 6 is a rear elevational view thereof; and,
FIG. 7 is a front elevational view thereof.

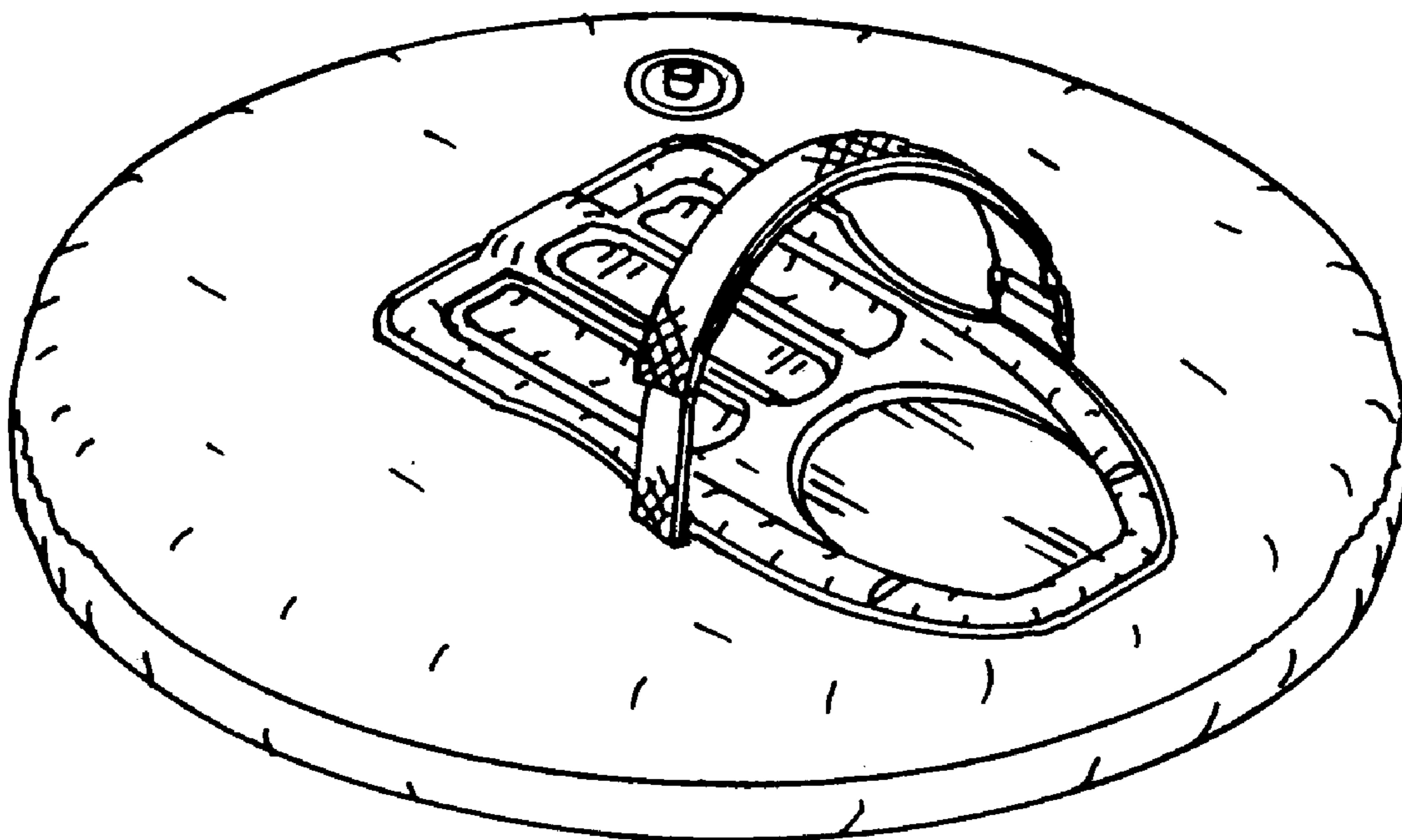
(56) **References Cited**

U.S. PATENT DOCUMENTS

D407,781 S	*	4/1999	Peterson	D21/803
D407,783 S	*	4/1999	Peterson	D21/803
D432,614 S	*	10/2000	Peterson	D21/803

* cited by examiner

1 Claim, 2 Drawing Sheets



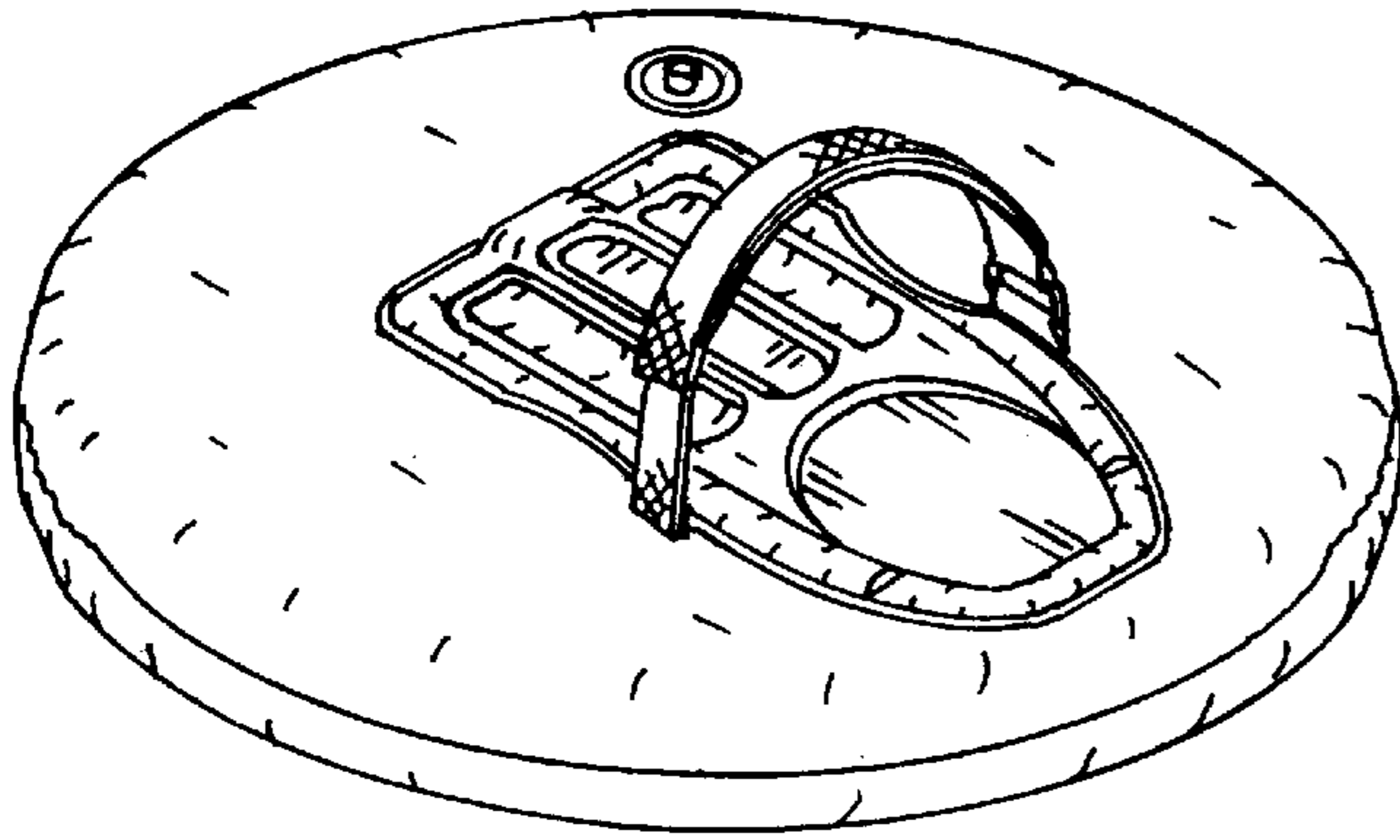


Fig. 1

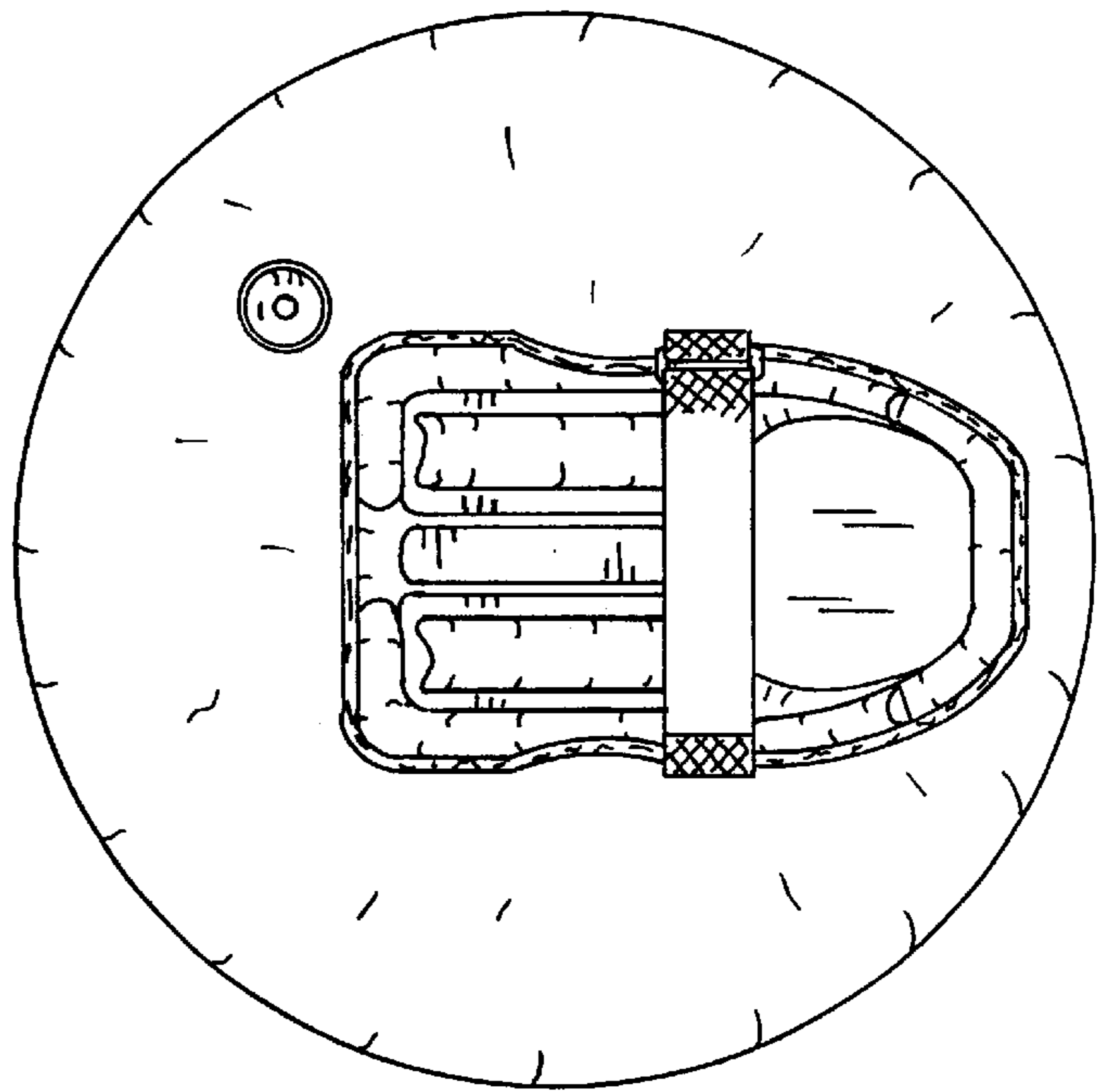


Fig. 2

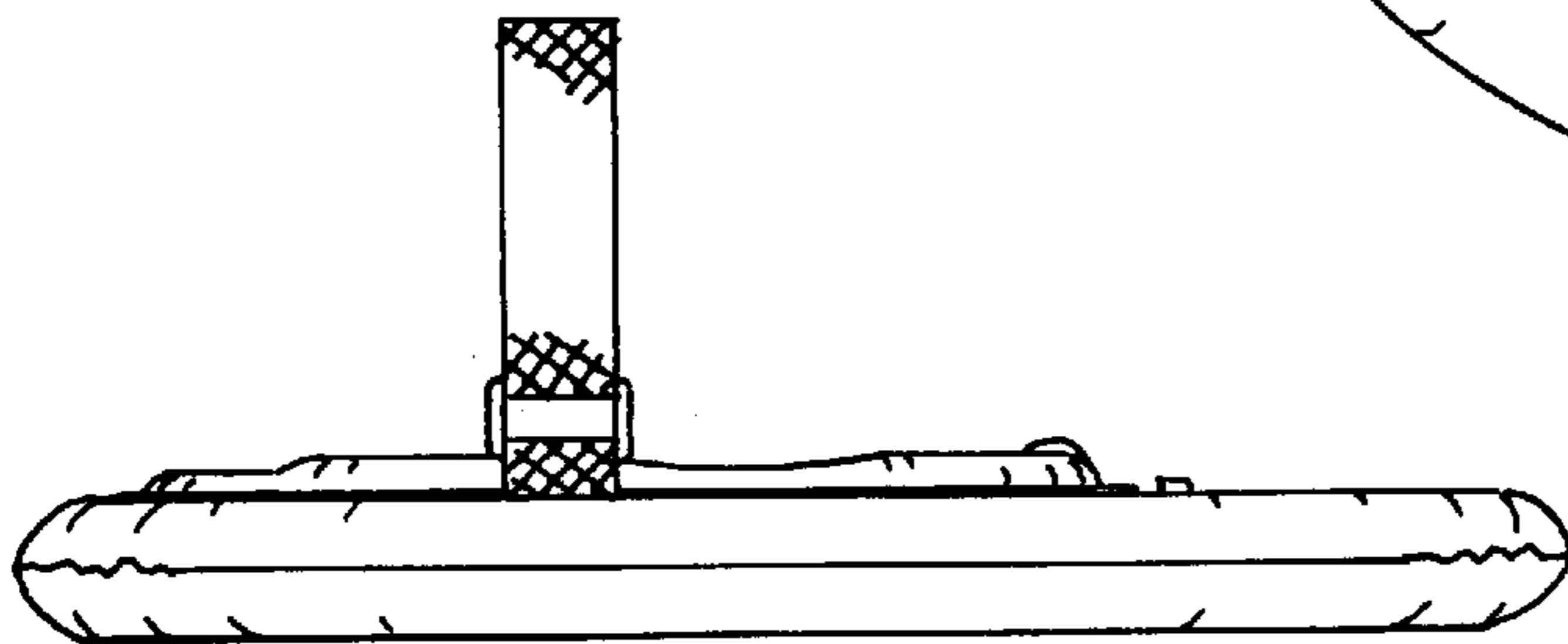


Fig. 3

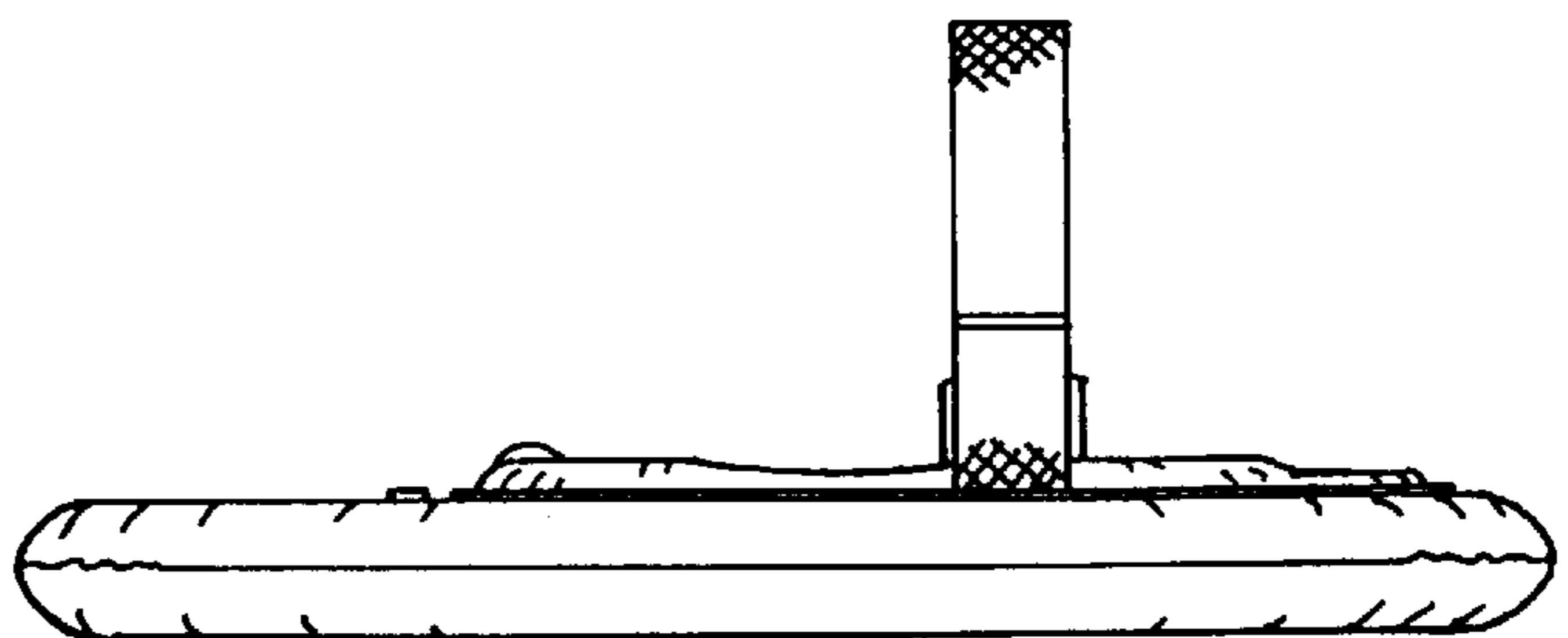


Fig. 4

Fig. 5

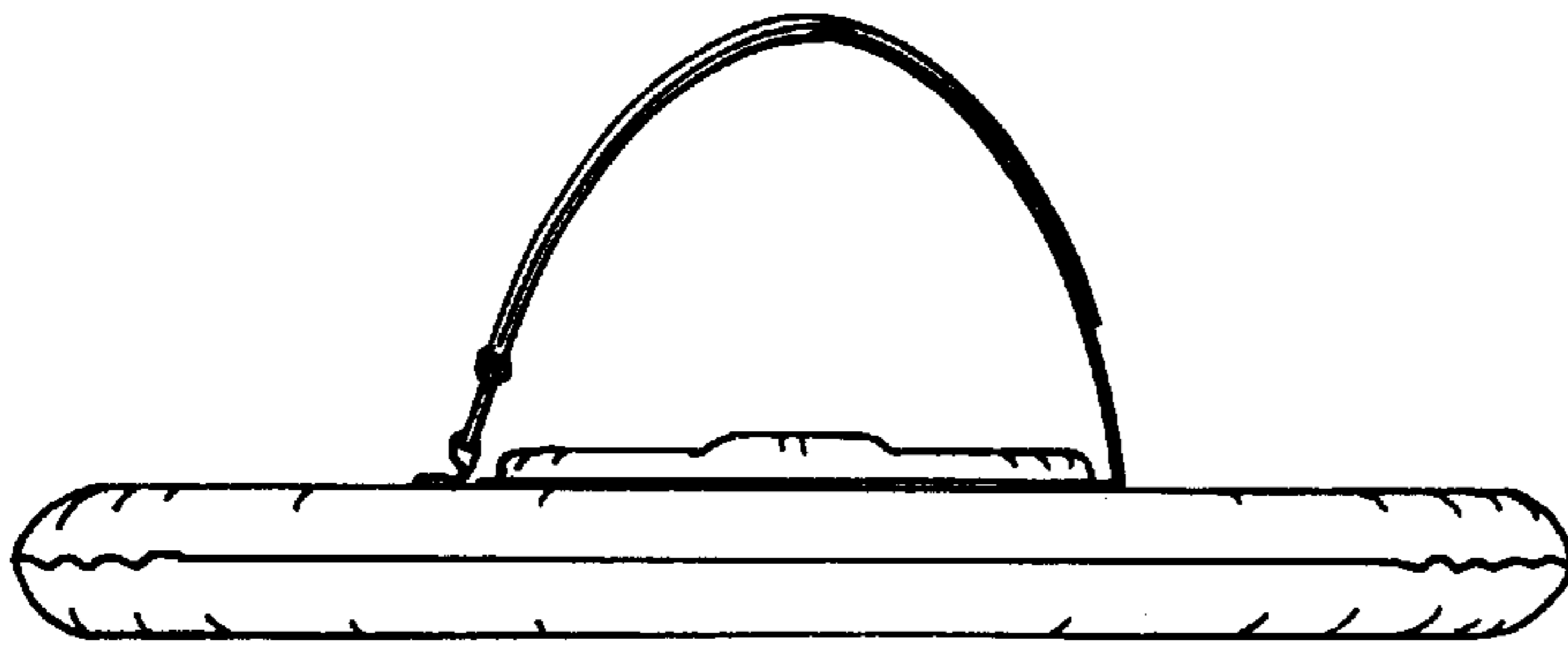
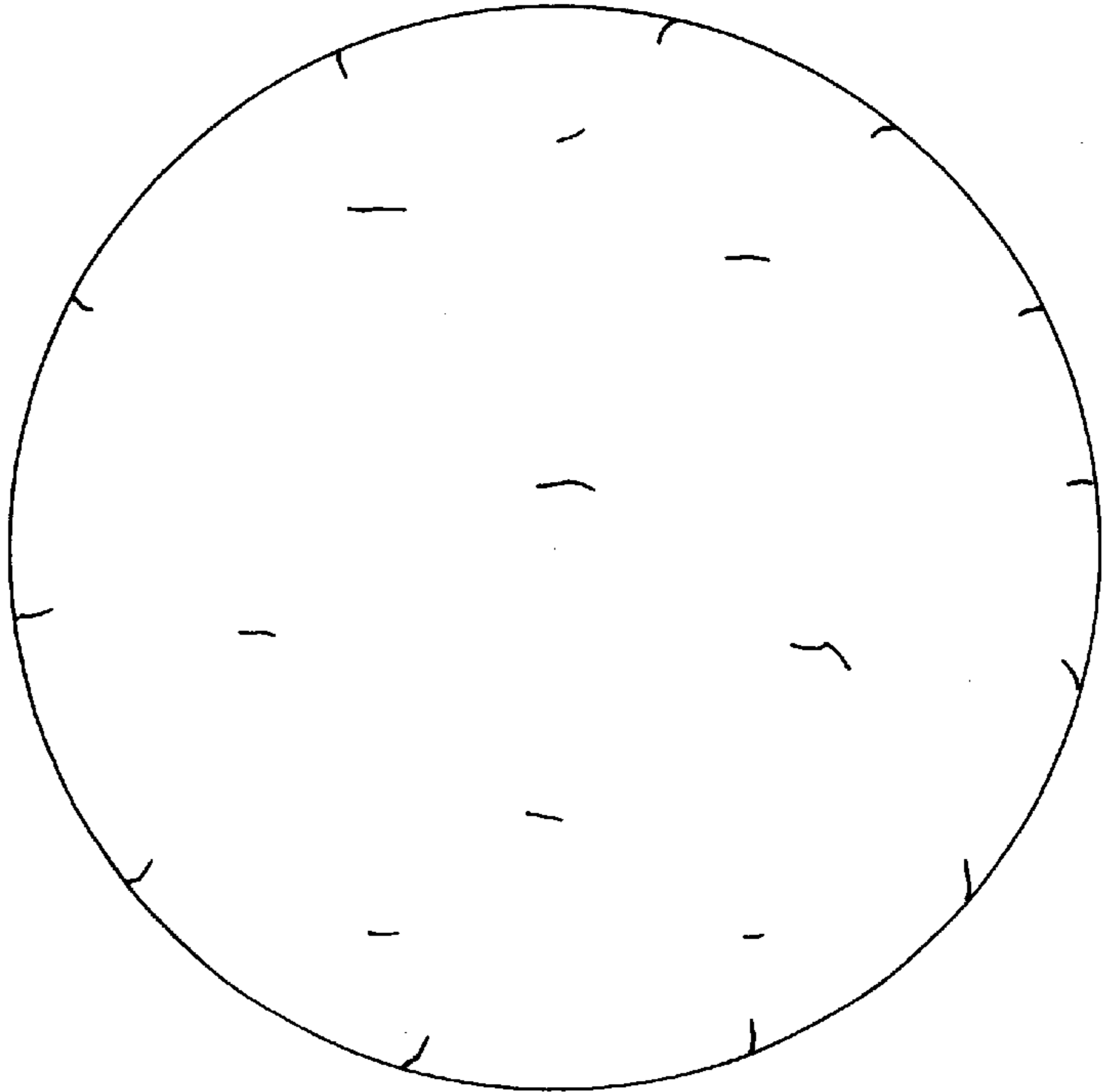


Fig. 6

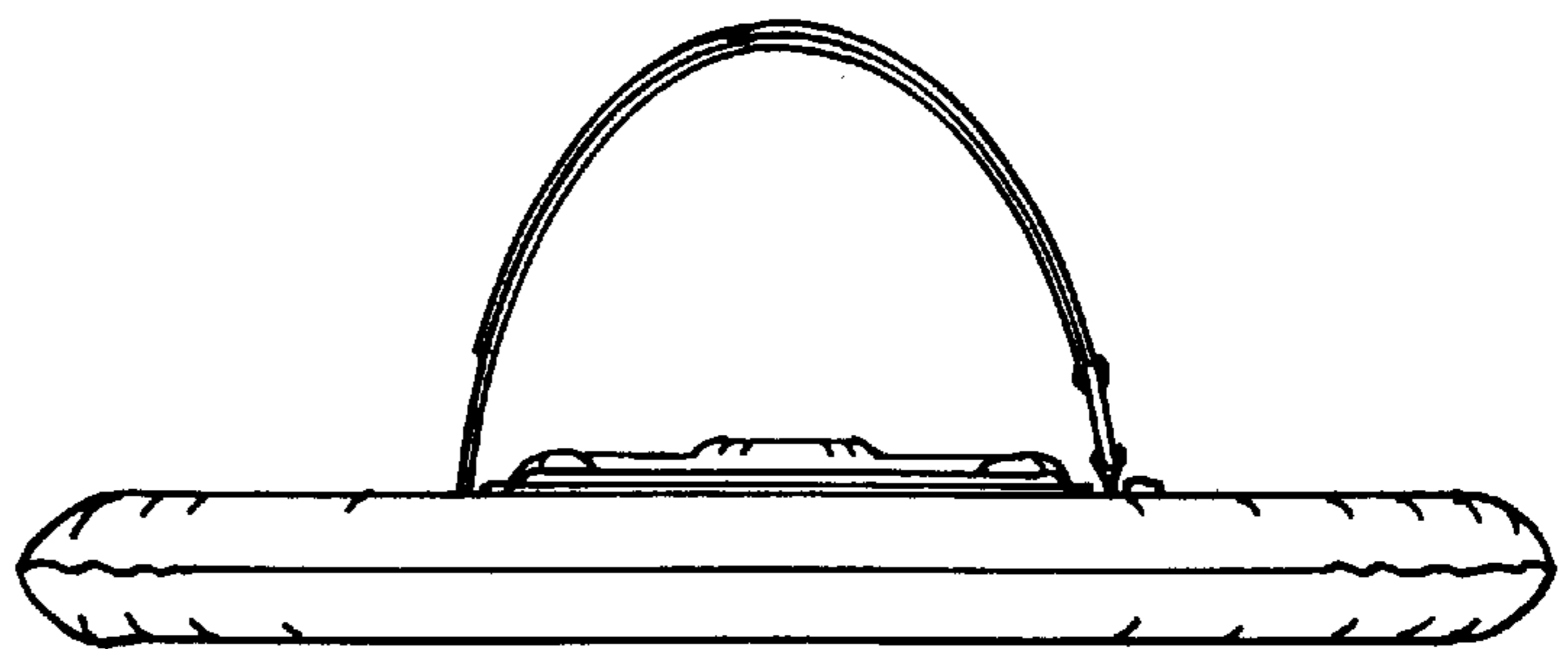


Fig. 7