



US00D476386S

(12) **United States Design Patent**
Filippini

(10) **Patent No.:** **US D476,386 S**

(45) **Date of Patent:** **** Jun. 24, 2003**

(54) **STRING-ENCLOSING TUBES FOR A SPORTS RACQUET**

(75) **Inventor:** **Rafael G. Filippini**, Chula Vista, CA (US)

(73) **Assignee:** **EF Composite Technologies, L.P.**, San Diego, CA (US)

(**) **Term:** **14 Years**

(21) **Appl. No.:** **29/160,858**

(22) **Filed:** **May 17, 2002**

(51) **LOC (7) Cl.** **21-02**

(52) **U.S. Cl.** **D21/753**

(58) **Field of Search** D21/729-730,
D21/753, 756, 757; 473/537, 546, 539,
543, 524

(56) **References Cited**

U.S. PATENT DOCUMENTS

D258,375 S	*	2/1981	Kutt et al.	D21/729
4,340,226 A	*	7/1982	Haines	473/537
4,589,662 A	*	5/1986	Robaldo	473/522
4,634,124 A		1/1987	Yugas et al.		
4,826,167 A		5/1989	Lo		
4,828,259 A		5/1989	Davis		
D306,054 S	*	2/1990	Chen	D21/730
4,909,511 A		3/1990	DeVille et al.		
5,054,779 A		10/1991	Marrello		
5,096,194 A		3/1992	Yong et al.		
5,106,086 A		4/1992	Acosta		
5,133,552 A		7/1992	Feeney et al.		

5,141,228 A		8/1992	Soong		
5,211,397 A		5/1993	Davis et al.		
D351,205 S	*	10/1994	Stennett	D21/730
D368,749 S		4/1996	Severa et al.		
D369,194 S	*	4/1996	Severa	D21/730
5,702,313 A	*	12/1997	Stennett	473/546
5,919,104 A		7/1999	Mortvedt et al.		
6,432,005 B1		8/2002	Lin		

FOREIGN PATENT DOCUMENTS

GB 2056288 A 3/1981

* cited by examiner

Primary Examiner—Mitchell Siegel

(74) *Attorney, Agent, or Firm*—Piper Rudnick; Jefferson Perkins

(57) **CLAIM**

A novel design for string-enclosing tubes for a sports racquet, as shown and described.

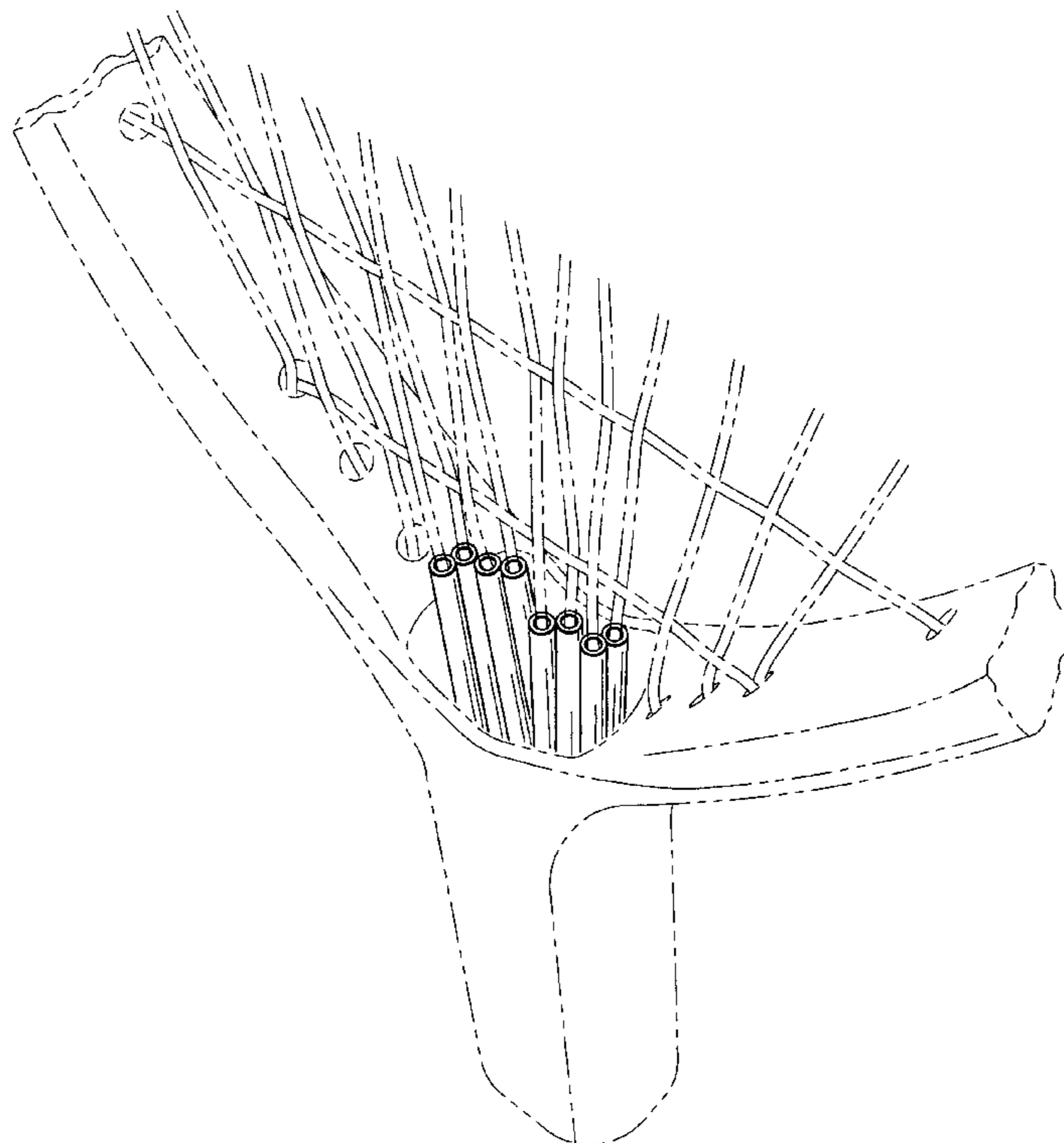
DESCRIPTION

FIG. 1 is a top perspective view of my design, environmental structure herein being shown in phantom line and forming no part of my design, a rear elevational view being substantially identical in mirror image to the front elevational view; and,

FIG. 2 is a front elevational view of my design.

Top and side views of the design are occluded by environmental structure and are not seen by the ordinary observer. The bottom is unadorned and forms no portion of my design.

1 Claim, 2 Drawing Sheets



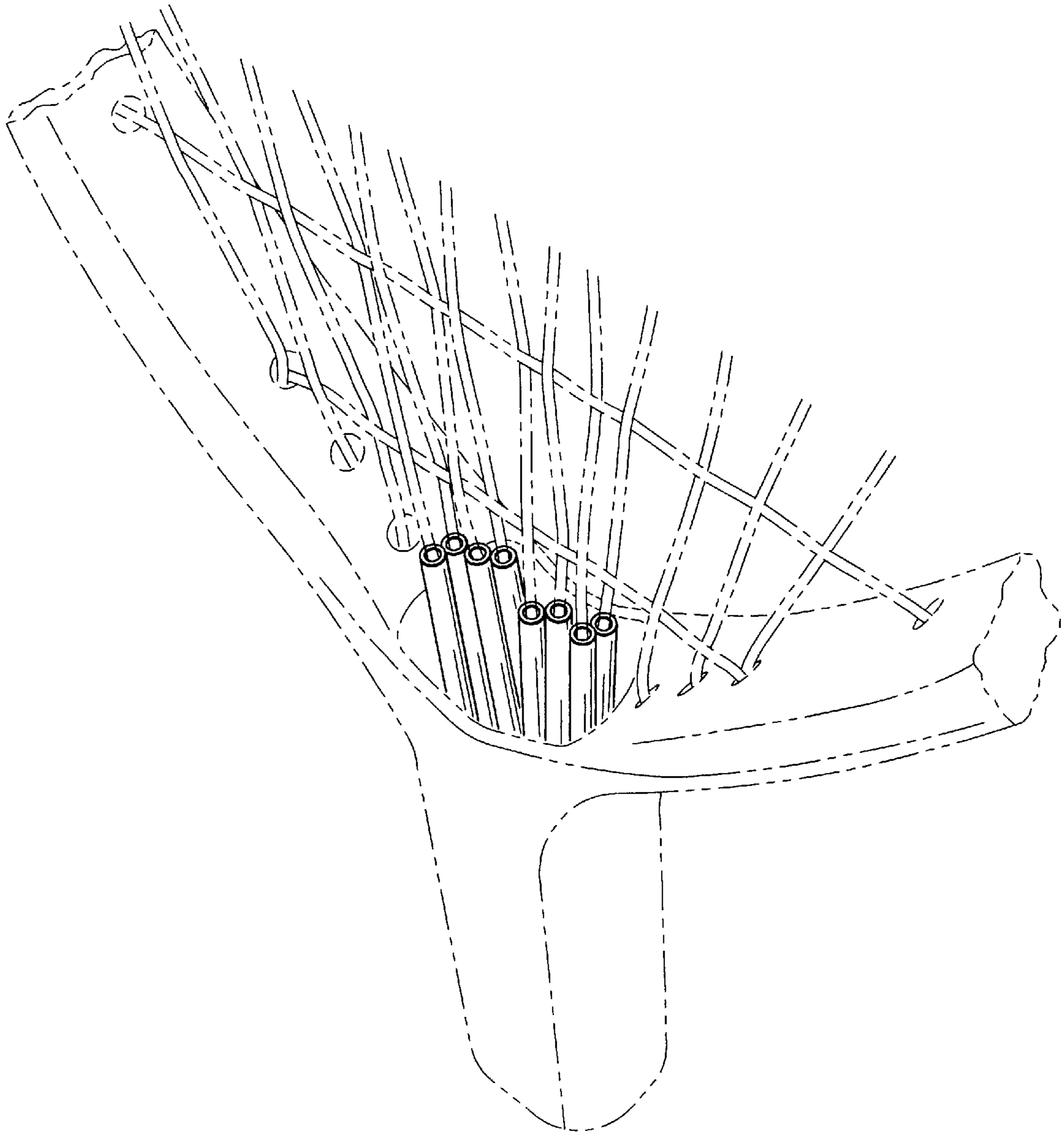


FIG. 1

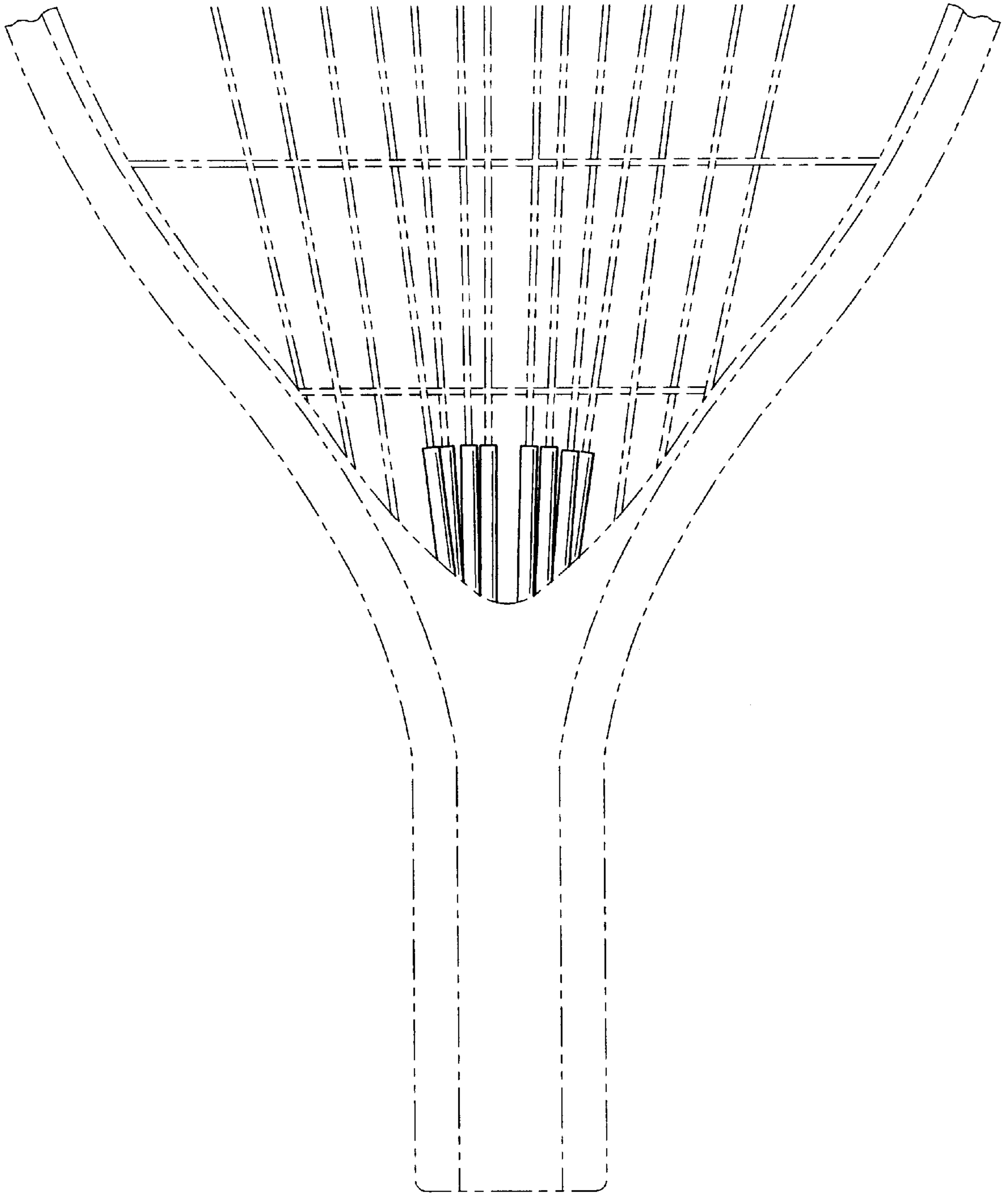


FIG. 2