



US00D476385S

(12) **United States Design Patent**
Curry

(10) **Patent No.:** **US D476,385 S**

(45) **Date of Patent:** **** Jun. 24, 2003**

(54) **REMOTE CONTROL BALL EJECTOR**

5,839,607 A 11/1998 Swanson 221/231
D442,658 S 5/2001 Loerop et al. D21/721

(76) Inventor: **Wayne Curry**, 11303 183rd Ave. SW.,
Rochester, WA (US) 98579

Primary Examiner—Mitchell Siegel
(74) *Attorney, Agent, or Firm*—Thomas W. Secrest

(**) Term: **14 Years**

(57) **CLAIM**

(21) Appl. No.: **29/158,133**

The ornamental design for a remote control ball ejector, as shown and described.

(22) Filed: **Mar. 29, 2002**

(51) **LOC (7) Cl.** **21-02**

(52) **U.S. Cl.** **D21/720**

(58) **Field of Search** D21/789, 720,
D21/721; D30/1, 199, 121; 221/231, 185;
294/19.2; 446/53; 119/720

DESCRIPTION

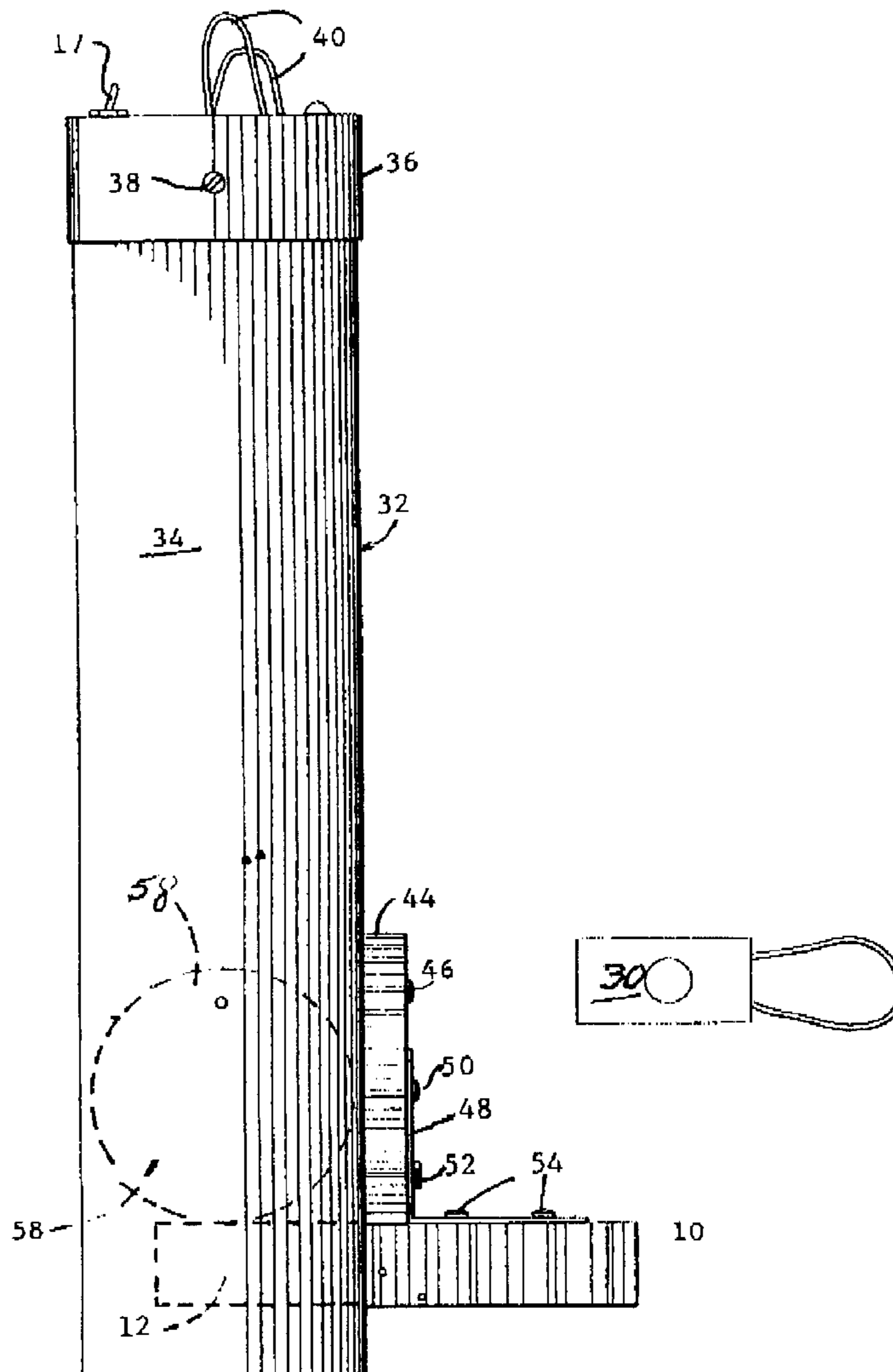
FIG. 1 is a side elevational view of the remote control ball ejector with the understanding that the opposite side elevational view is the same;
FIG. 2 is a side elevational view rotated approximately forty five degrees from the view of FIG. 1;
FIG. 3 is a side elevational view rotated approximately ninety degree from the view of FIG. 2;
FIG. 4 is a top plan view; and,
FIG. 5 is a bottom plan view.

(56) **References Cited**

U.S. PATENT DOCUMENTS

1,515,314 A 11/1924 Petersen 446/53
D309,327 S 7/1990 Chapman D21/720
D353,180 S 12/1994 Dunning D21/789

1 Claim, 4 Drawing Sheets



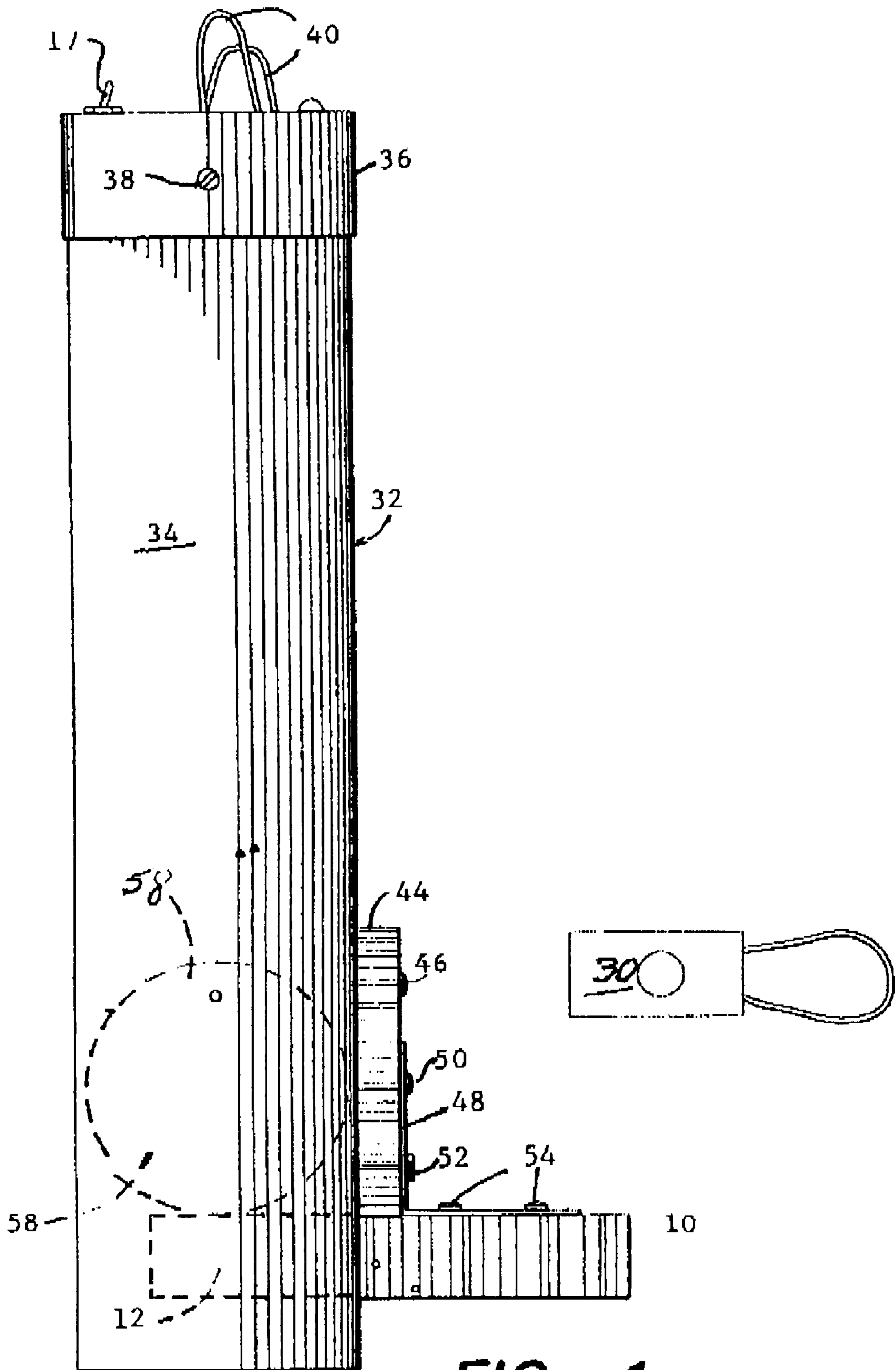


FIG. 1

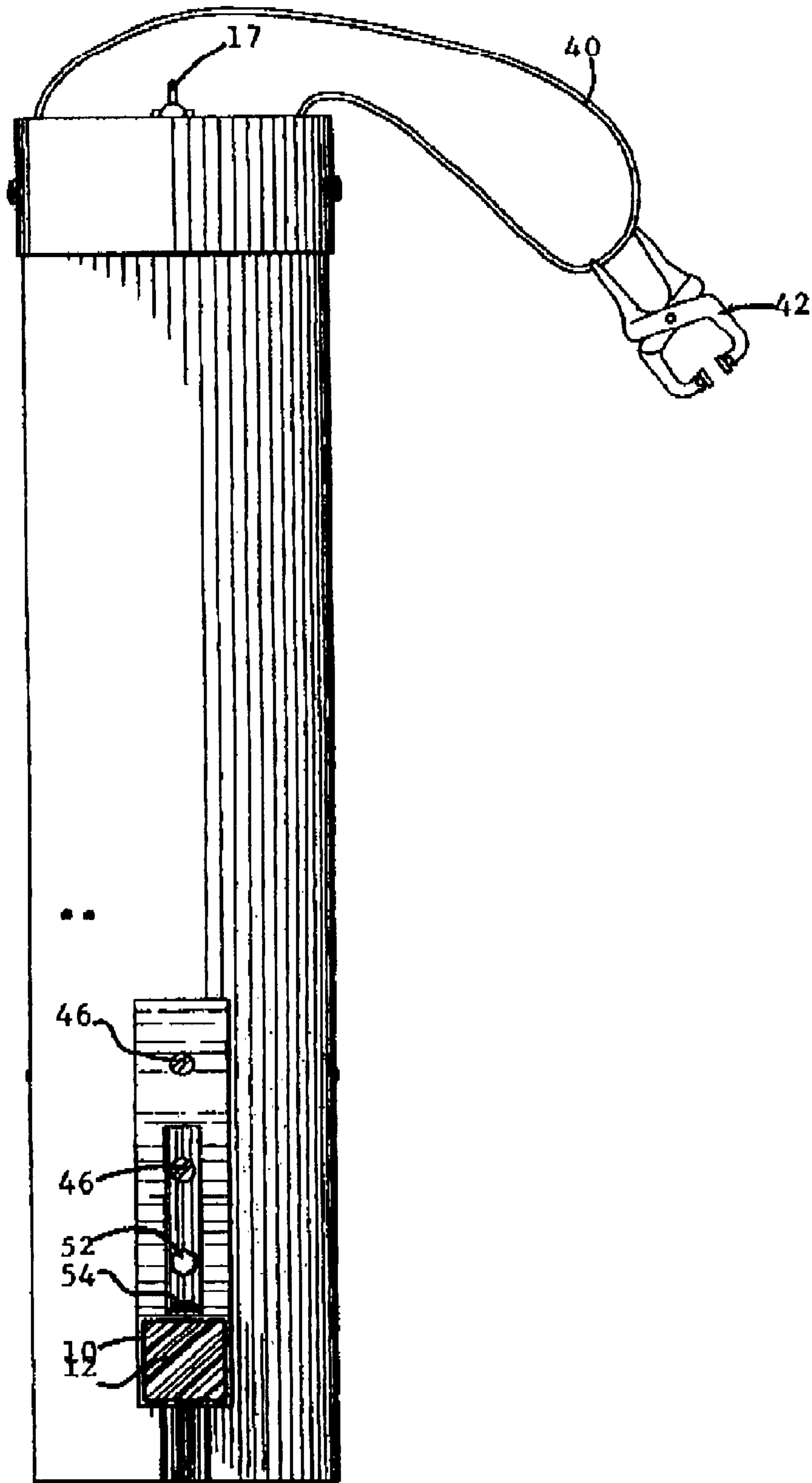


FIG. 2

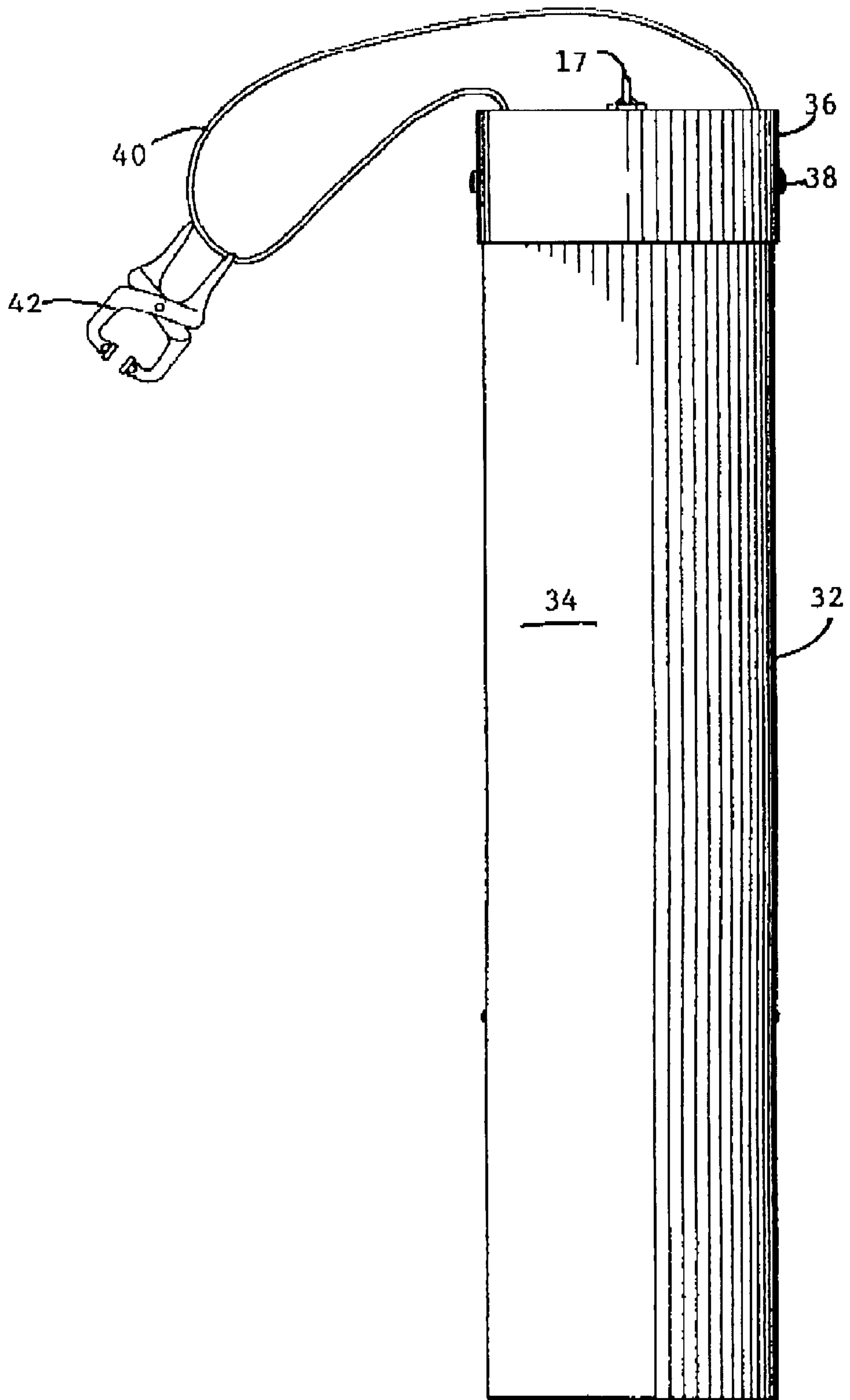


FIG. 3

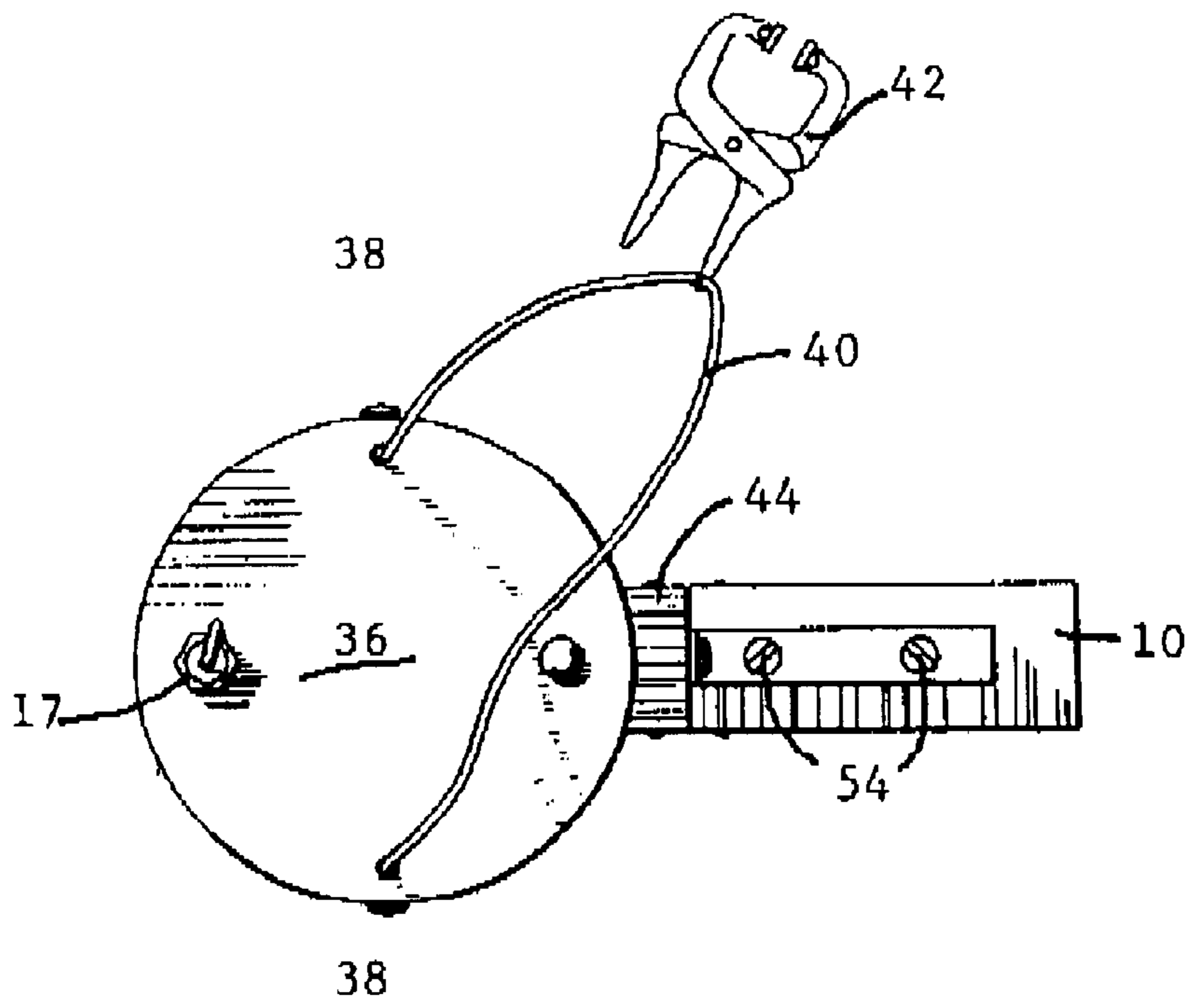


FIG. 4

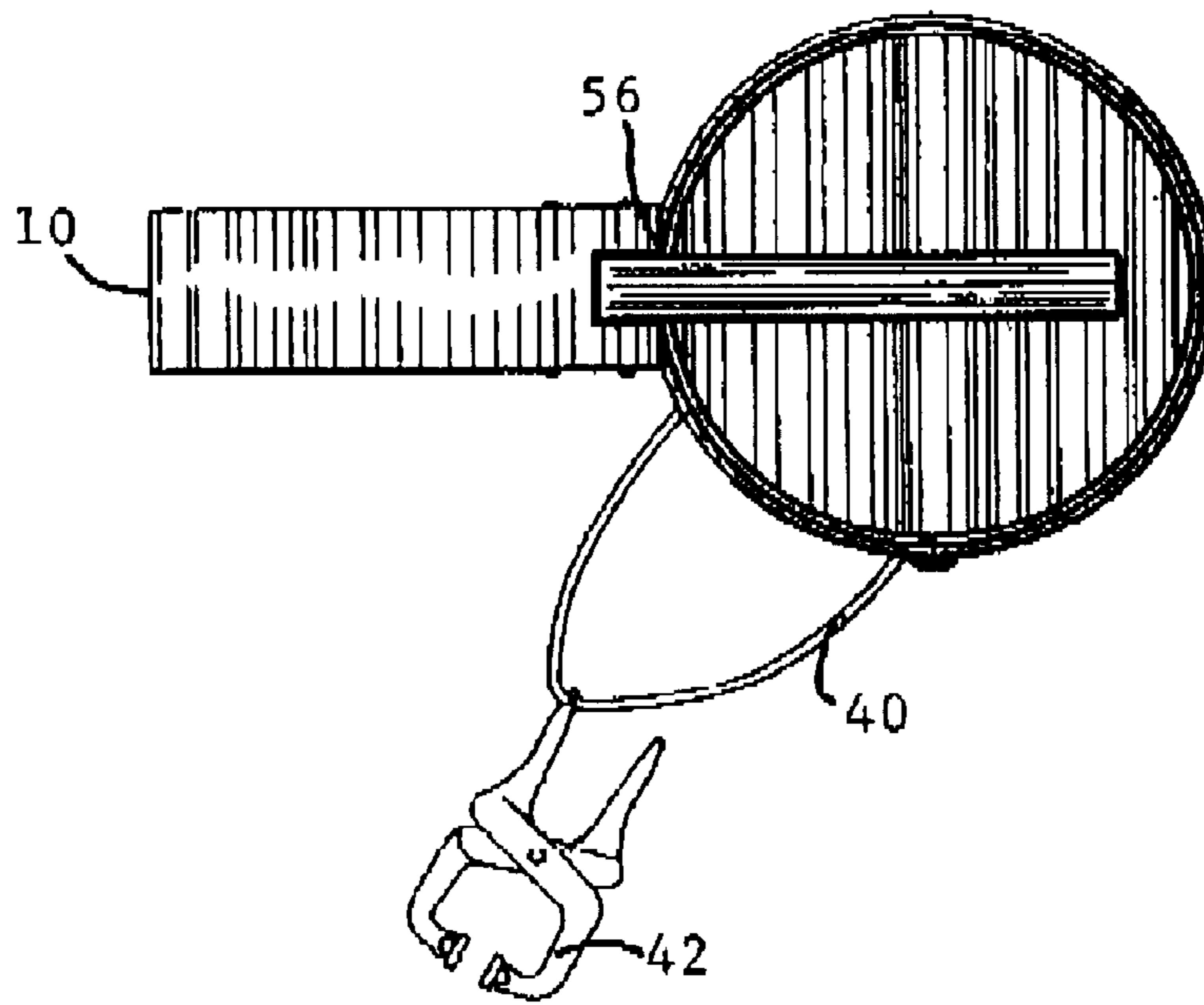


FIG. 5