



US00D476383S

(12) **United States Design Patent**
Chen

(10) **Patent No.:** **US D476,383 S**

(45) **Date of Patent:** **** Jun. 24, 2003**

(54) **WEIGHTLIFTING PLATE**

(76) **Inventor:** **James Chen**, No. 35, Tun Hi Rd., Chin Chan LI, SA LU Chen Taichung Hsien (TW)

(**) **Term:** **14 Years**

(21) **Appl. No.:** **29/161,016**

(22) **Filed:** **May 22, 2002**

(51) **LOC (7) Cl.** **21-02**

(52) **U.S. Cl.** **D21/681; D21/680**

(58) **Field of Search** D21/680, 681, D21/682, 683; 482/105, 106, 107, 108

(56) **References Cited**

U.S. PATENT DOCUMENTS

5,137,502 A	*	8/1992	Anastasi	482/106
D421,076 S	*	2/2000	Lincir	D21/681
D424,140 S	*	5/2000	Lincir	D21/680
D433,721 S	*	11/2000	Rojas et al.	D21/681
D434,090 S	*	11/2000	Wallace et al.	D21/680

D445,154 S	*	7/2001	Lincir	D21/680
D446,559 S	*	8/2001	Lincir	D21/681
6,319,176 B1	*	11/2001	Landfair	482/93
D454,167 S	*	3/2002	Lincir	D21/680

* cited by examiner

Primary Examiner—Philip S. Hyder
(74) *Attorney, Agent, or Firm*—Bacon & Thomas, PLLC

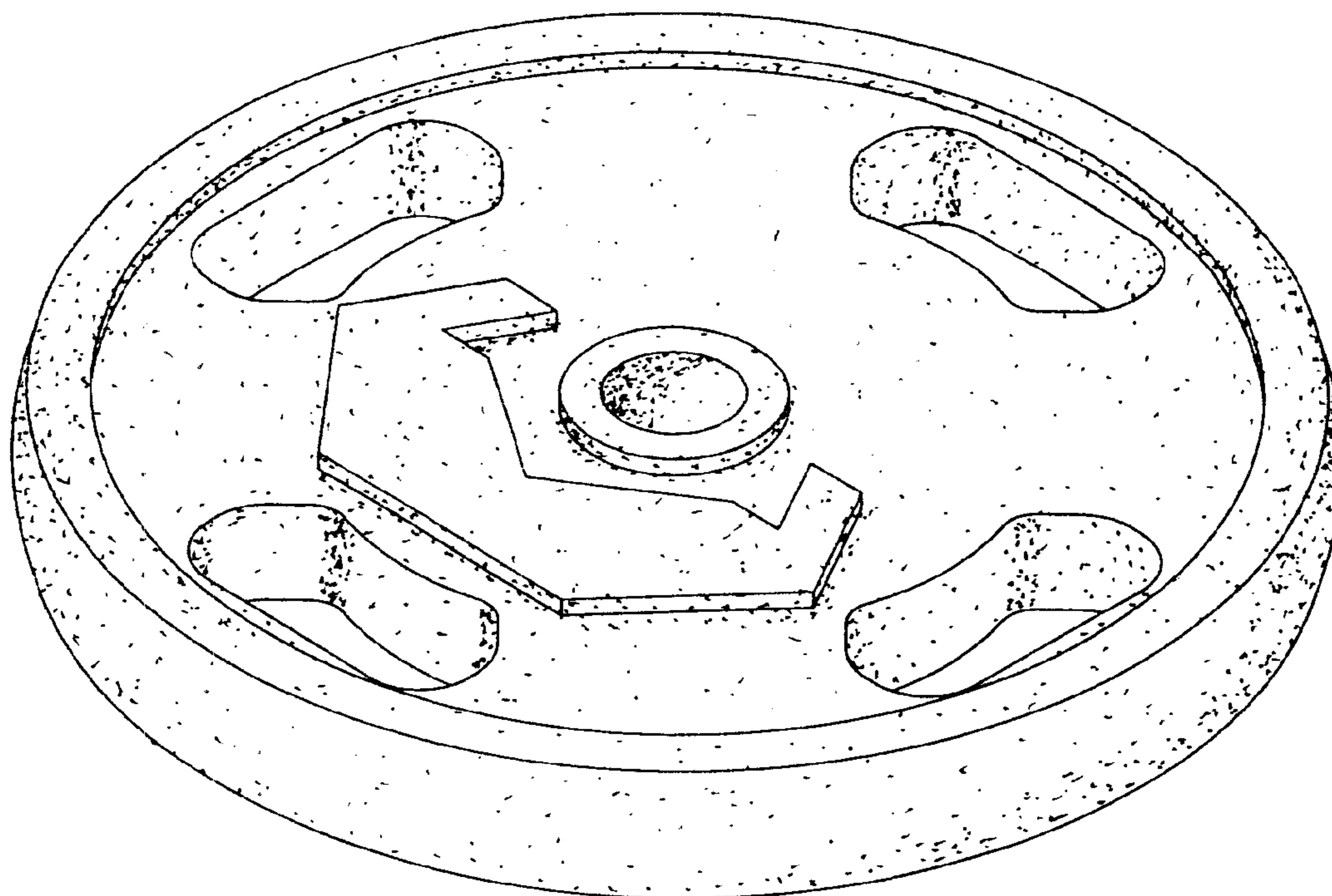
(57) **CLAIM**

The ornamental design for a weightlifting plant, as shown.

DESCRIPTION

FIG. 1 shows a perspective view of the present design.
 FIG. 2 shows a right side elevational view of the present design.
 FIG. 3 shows a top plan view of the present design.
 FIG. 4 shows a front elevational view of the present design.
 FIG. 5 shows a bottom plan view of the present design.
 FIG. 6 shows a left side elevational view of the present design; and,
 FIG. 7 shows a rear elevational view of the present design.

1 Claim, 3 Drawing Sheets



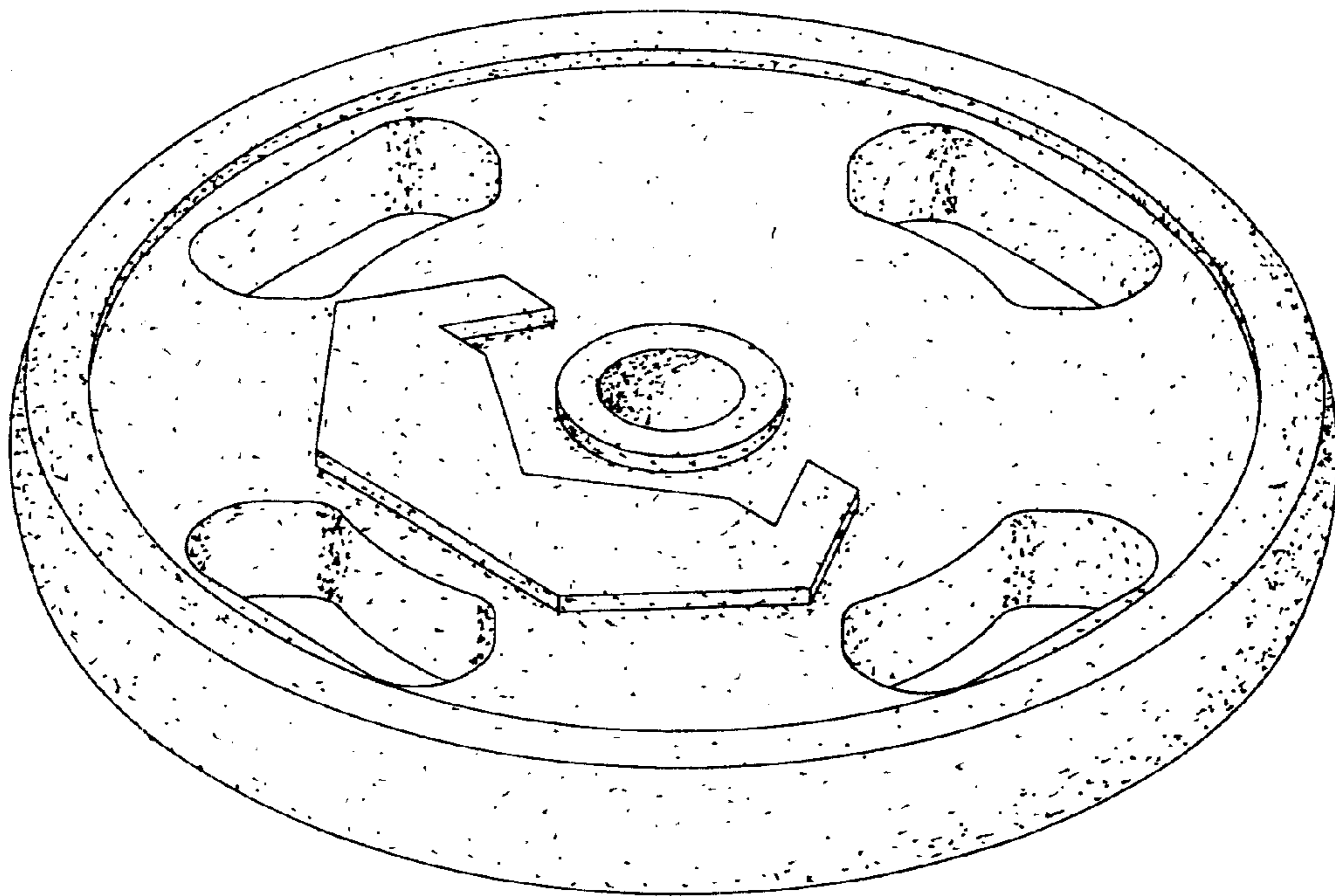


FIG. 1

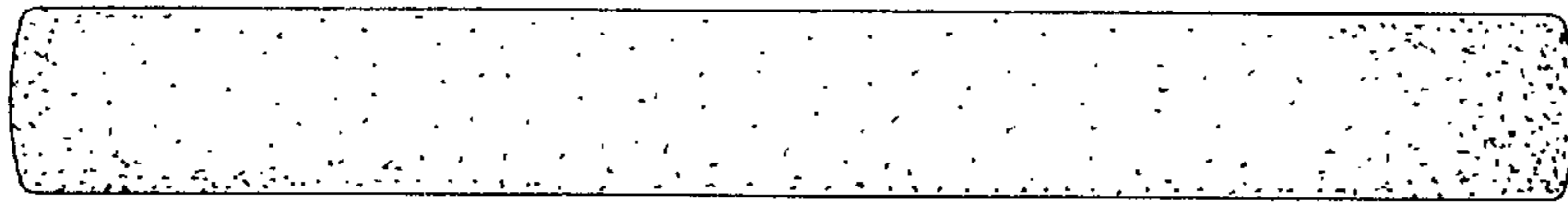


FIG. 3

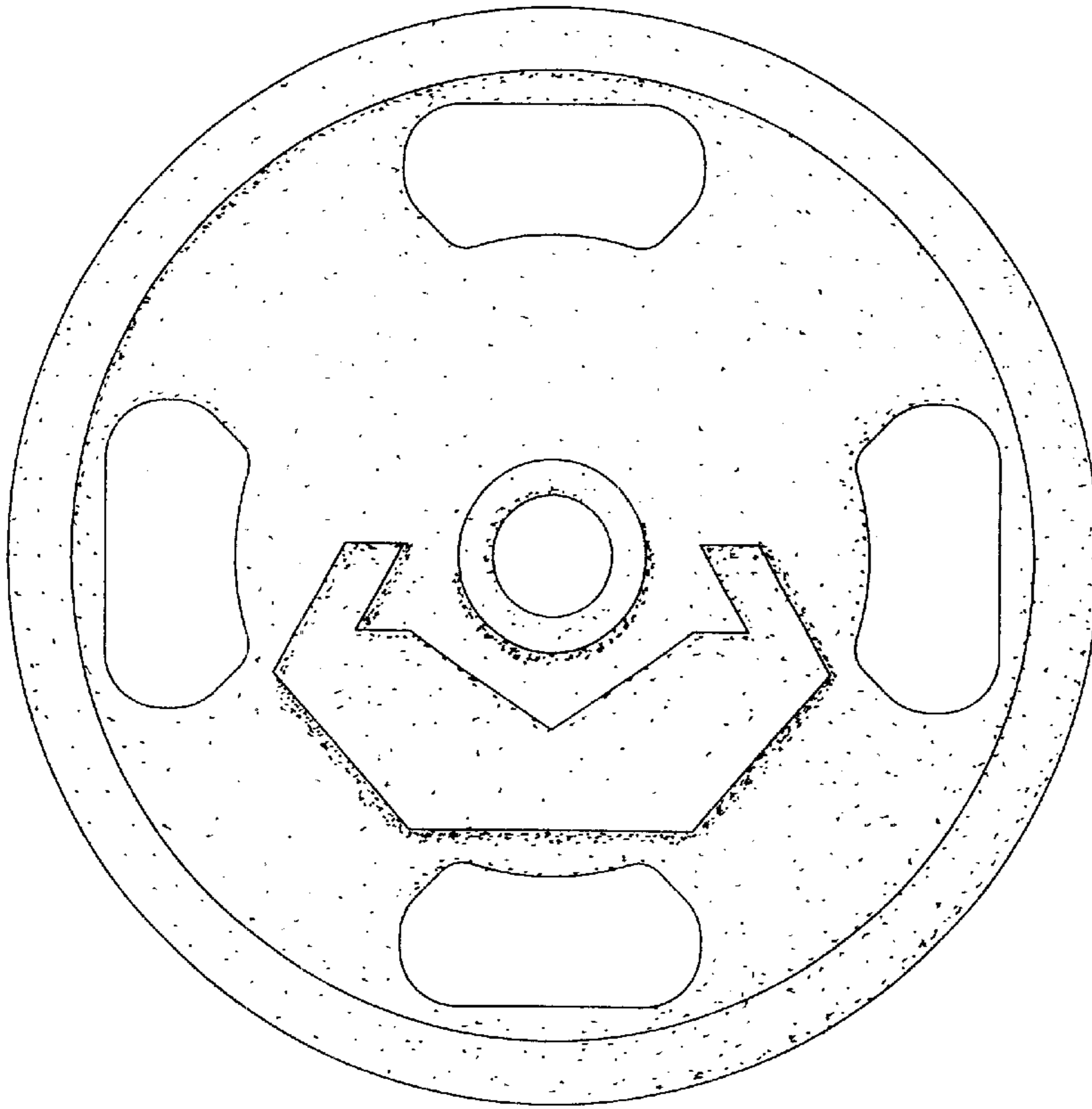


FIG. 4

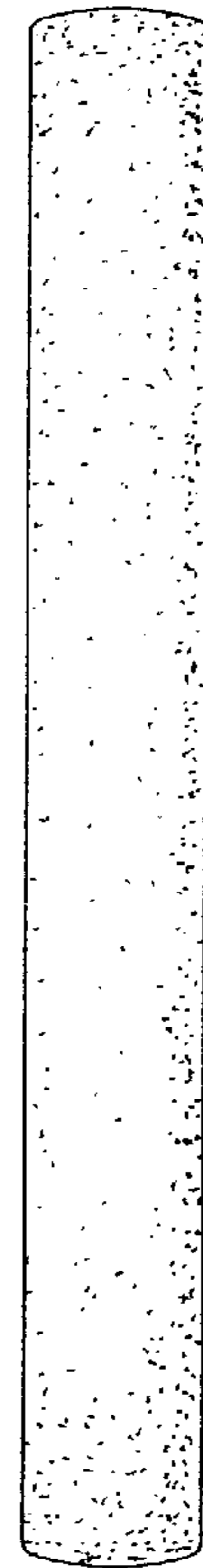


FIG. 2

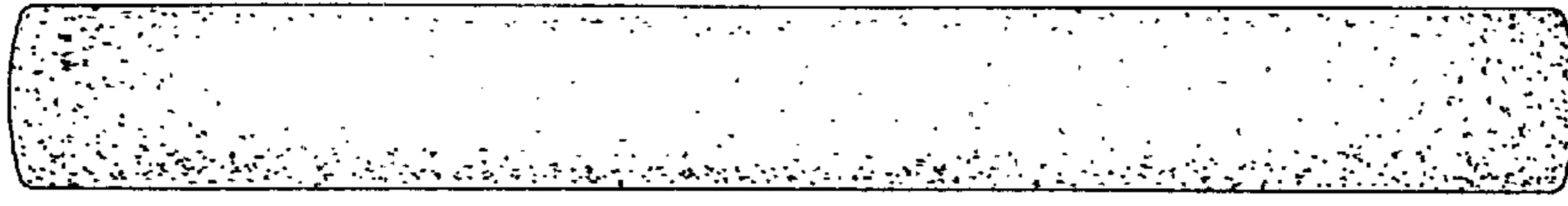


FIG. 5

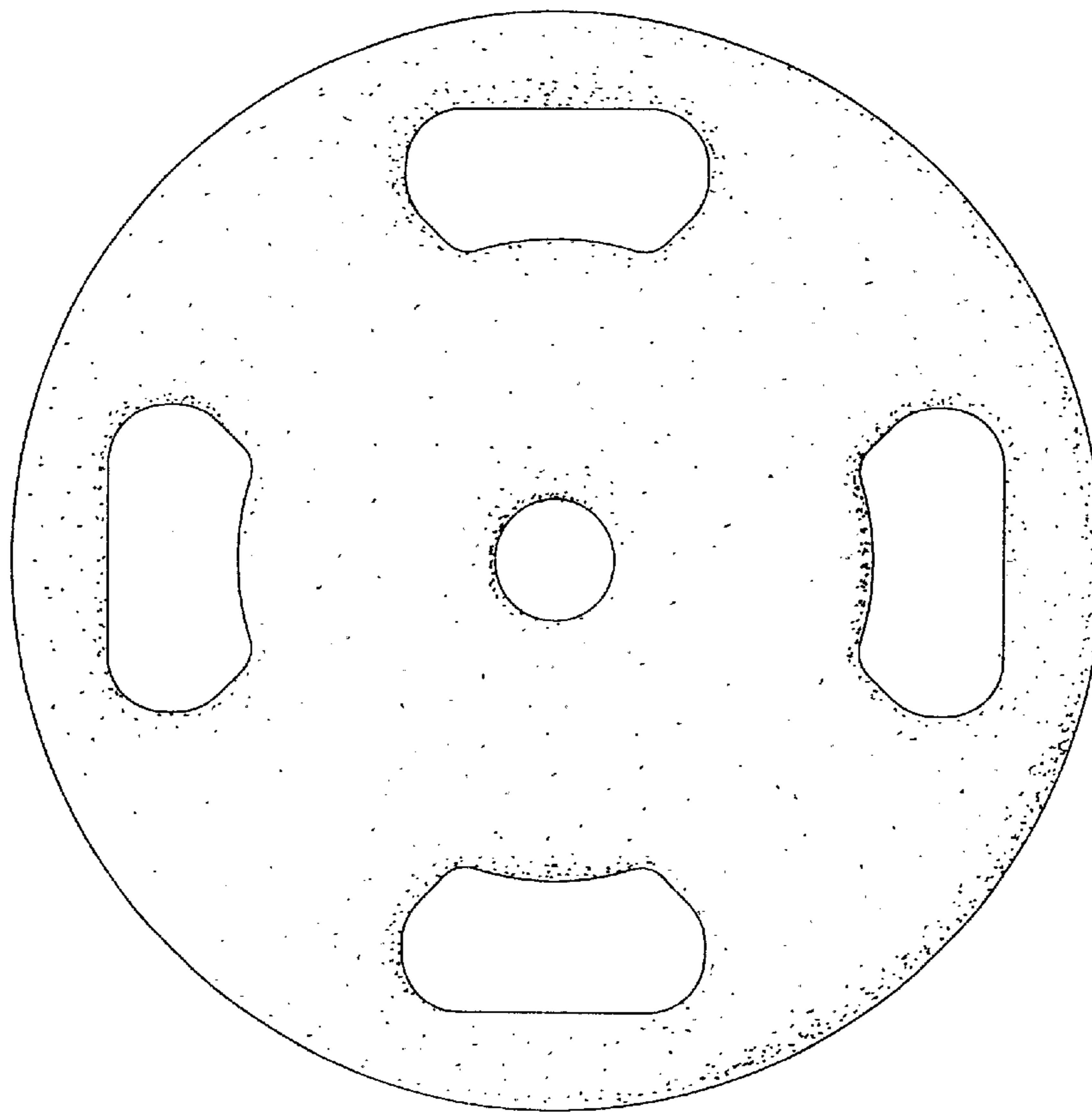


FIG. 7

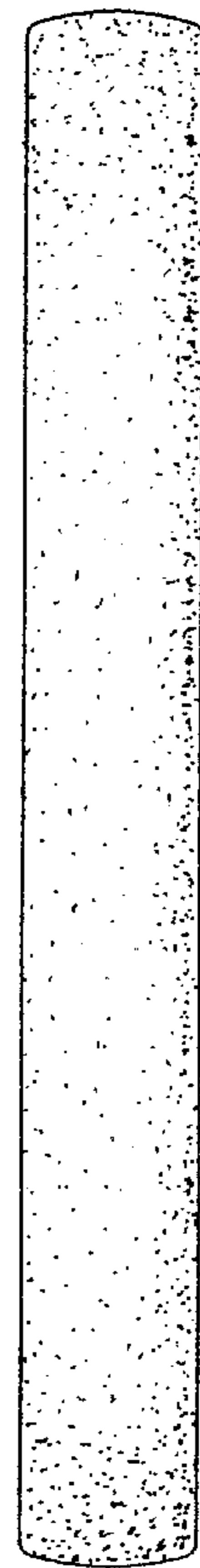


FIG. 6