



US00D476381S

(12) **United States Design Patent**
Mukaida

(10) **Patent No.:** **US D476,381 S**

(45) **Date of Patent:** **** Jun. 24, 2003**

(54) **REMOTE CONTROL TOY**

(76) Inventor: **Kenji Mukaida**, 15-15, Kameari
5-chome, Katsushika-ku, Tokyo
125-0061 (JP)

(**) Term: **14 Years**

(21) Appl. No.: **29/169,714**

(22) Filed: **Oct. 21, 2002**

(51) **LOC (7) Cl.** **21-01**

(52) **U.S. Cl.** **D21/538**

(58) **Field of Search** D21/538, 432;
D12/110; 446/431, 440, 454-456, 465,
468, 470; 180/219

(56) **References Cited**

U.S. PATENT DOCUMENTS

4,290,228 A * 9/1981 Goldfard et al. 446/456
D269,099 S * 5/1983 Goldfarb et al. D21/538
4,685,530 A * 8/1987 Hara 180/219
4,966,569 A * 10/1990 Asano 446/440

D346,414 S * 4/1994 Wong D21/538
5,820,439 A * 10/1998 Hair, III 446/468
6,095,891 A * 8/2000 Hoeting 446/431

* cited by examiner

Primary Examiner—Raphael Barkai

(74) *Attorney, Agent, or Firm*—Young Law Firm, P.C.

(57) **CLAIM**

The ornamental design for a remote control toy, as shown.

DESCRIPTION

FIG. 1 is a perspective view of the remote control toy according to the present invention.

FIG. 2 is a right side view of the remote control toy of FIG. 1.

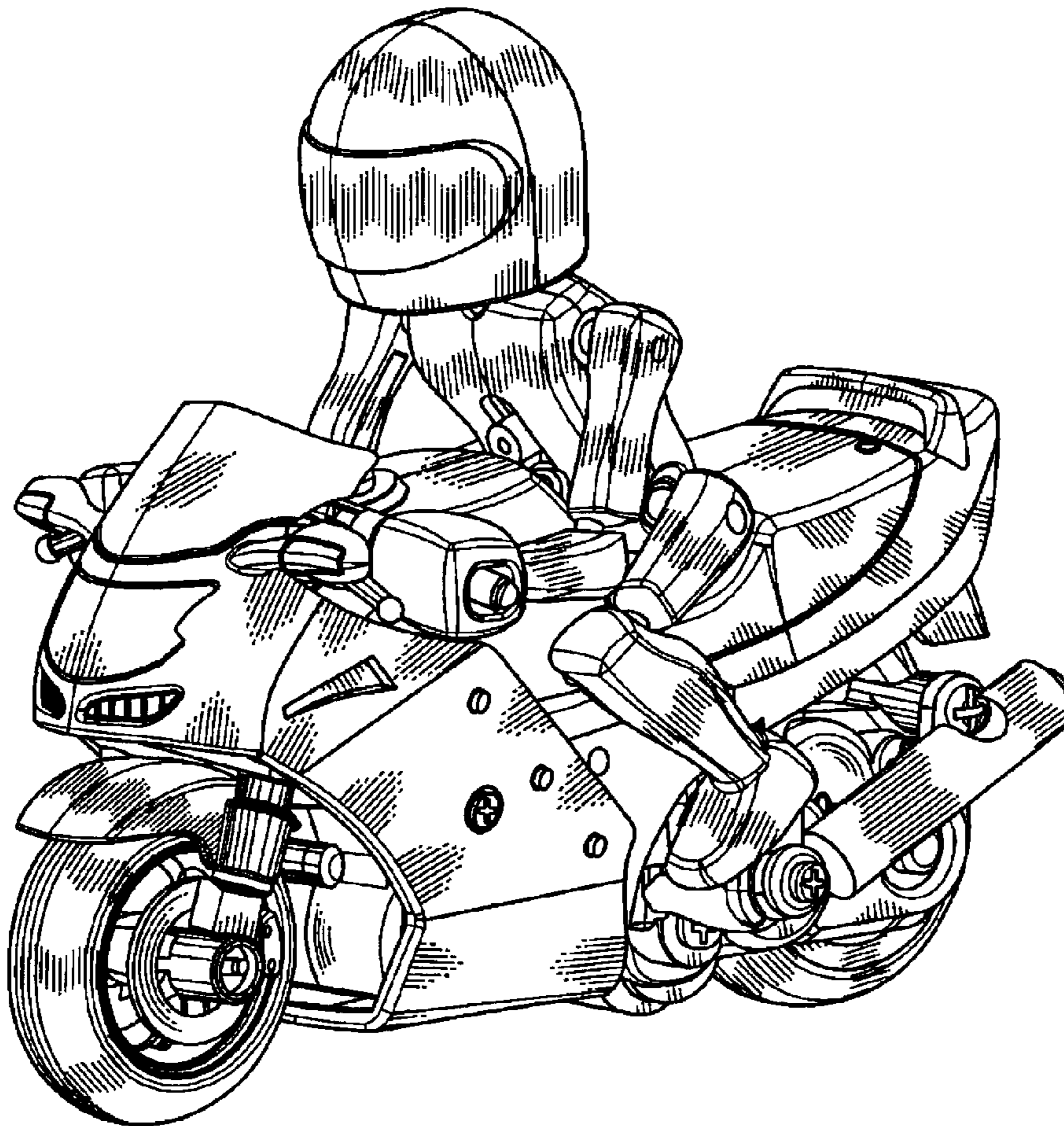
FIG. 3 is a left side view of the remote control toy of FIG. 1.

FIG. 4 is a top view of the remote control toy of FIG. 1.

FIG. 5 is a bottom view of the remote control toy of FIG. 1.

FIG. 6 is a rear view of the remote control toy of FIG. 1; and, FIG. 7 is a front view of the remote control toy of FIG. 1.

1 Claim, 7 Drawing Sheets



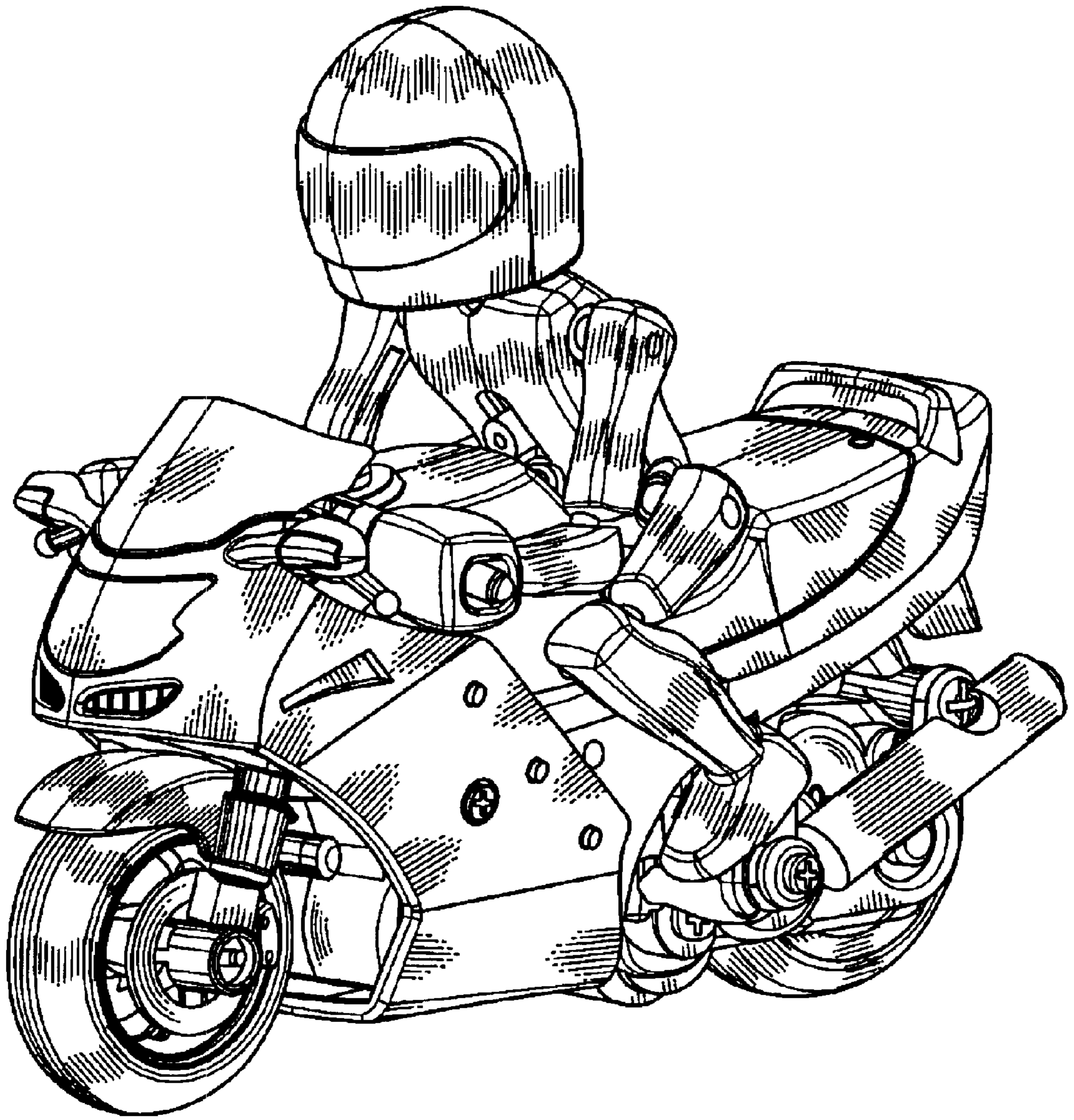


FIG. 1

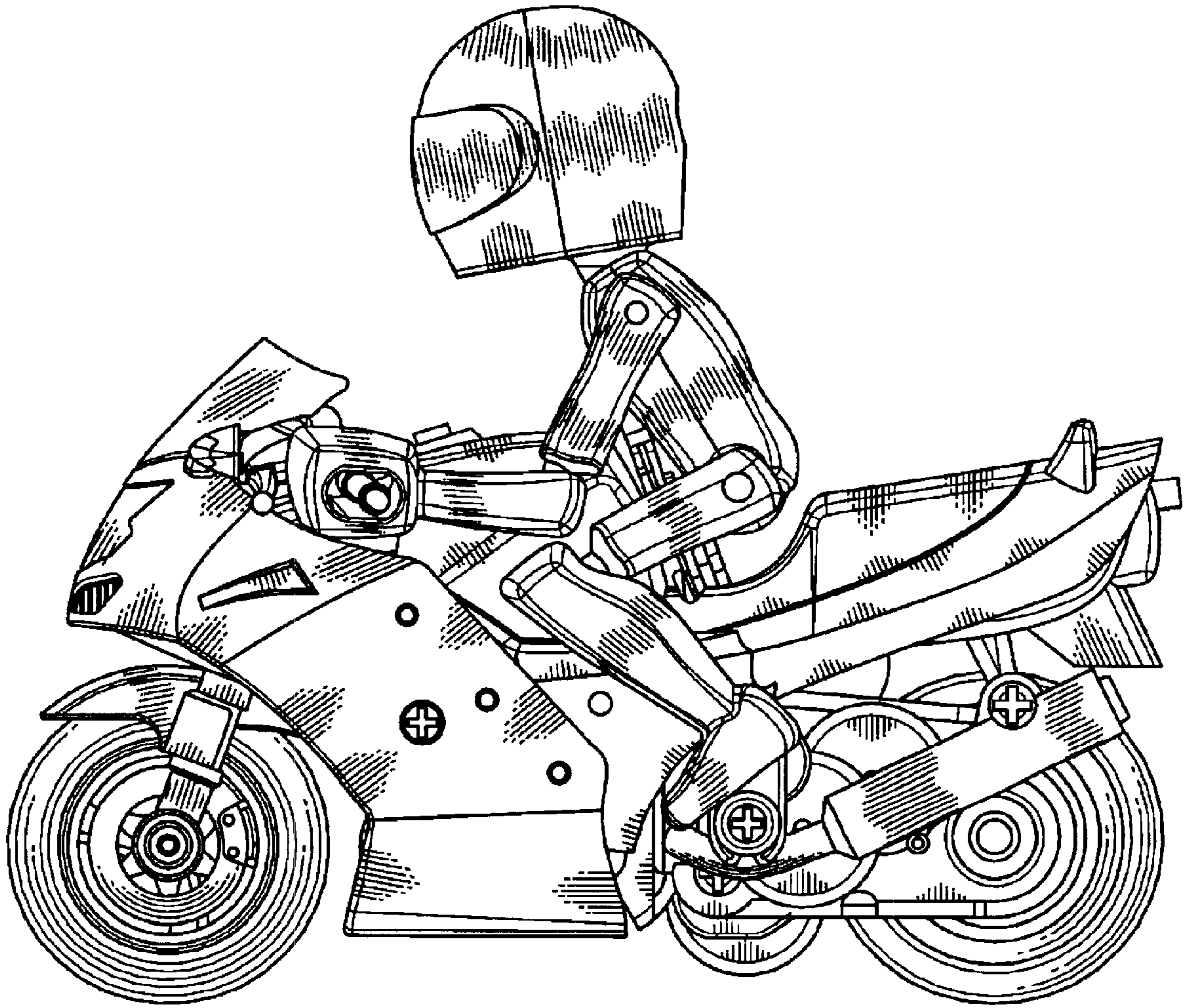


FIG. 2

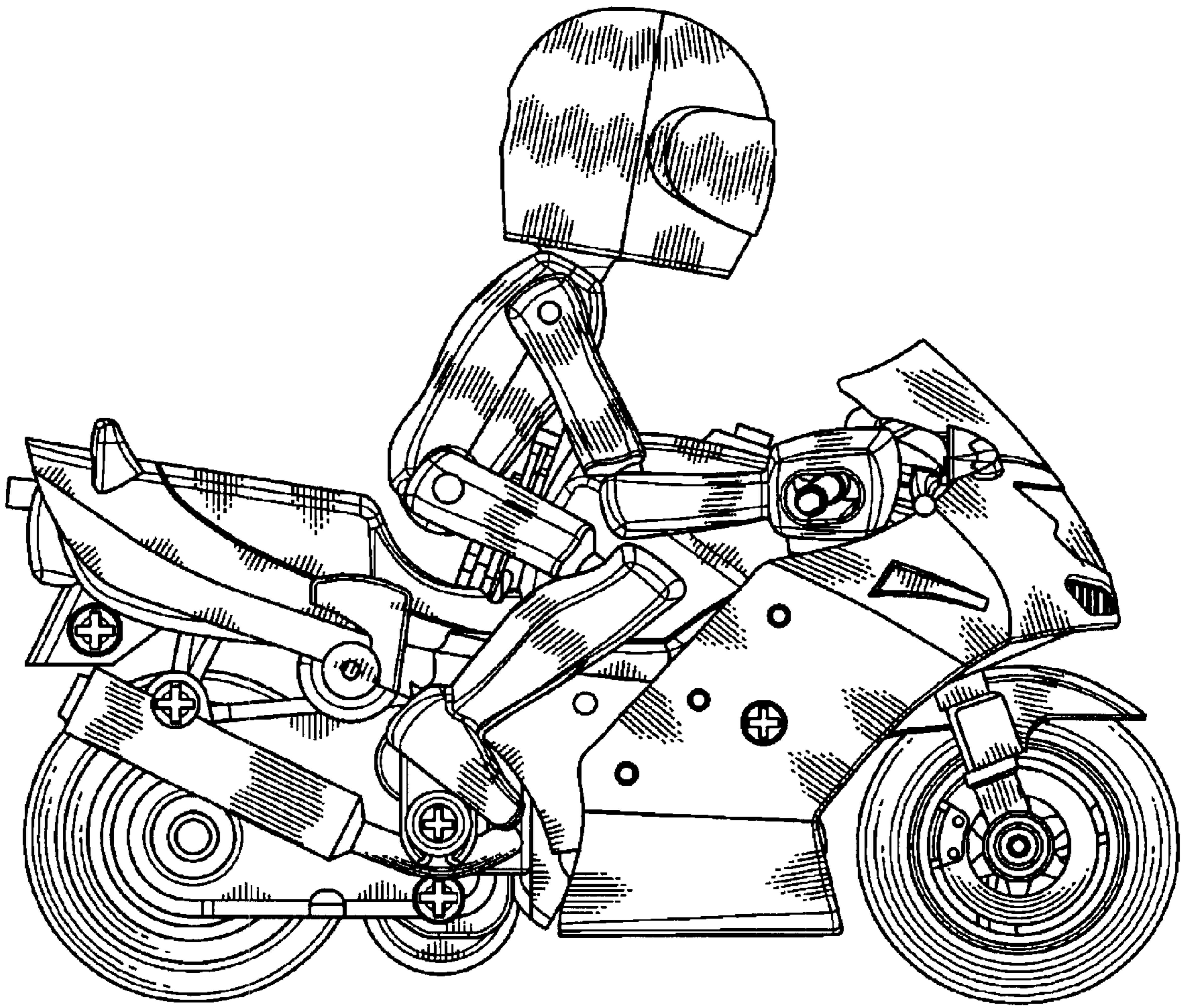


FIG. 3

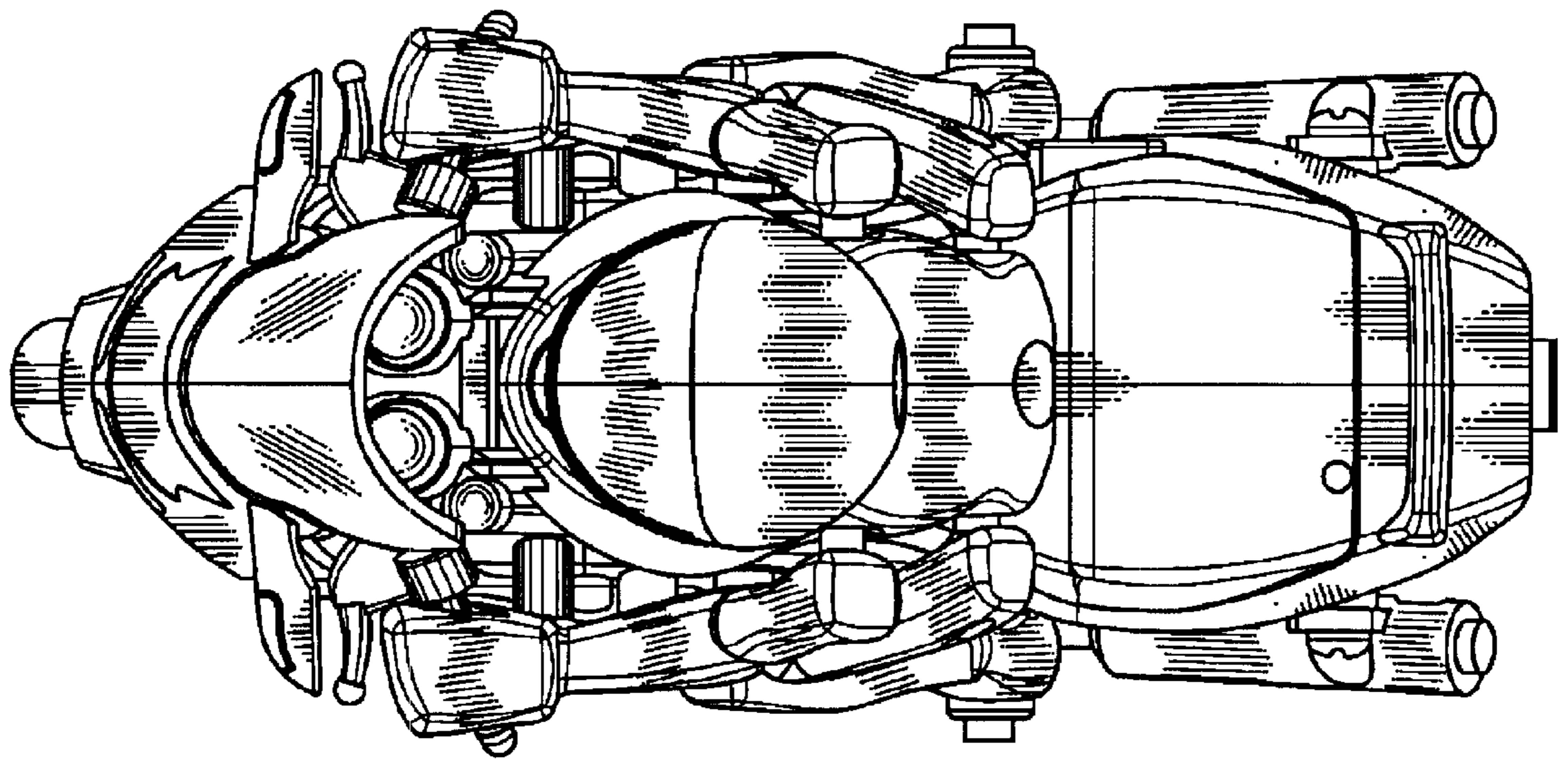


FIG. 4

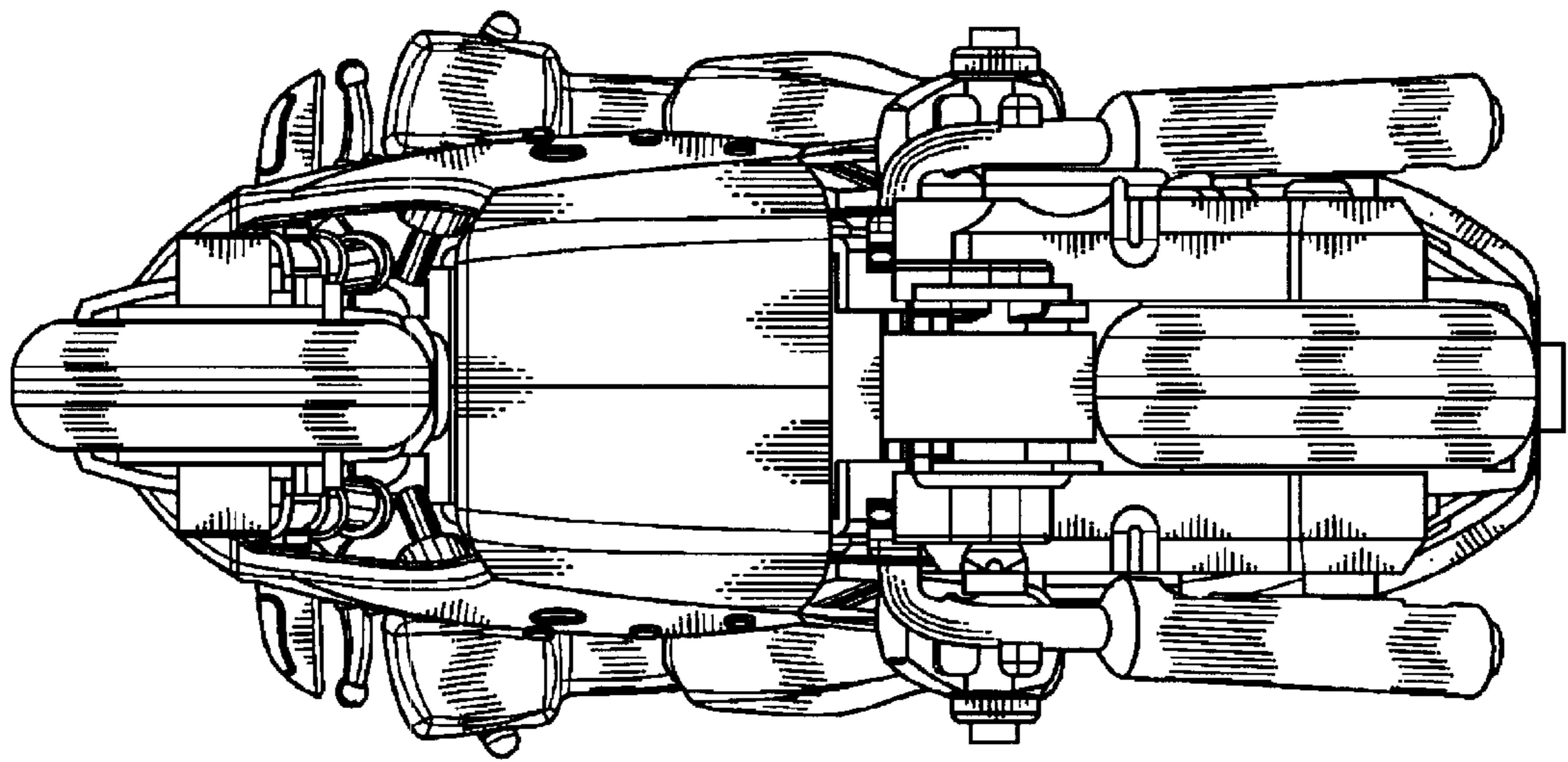


FIG. 5

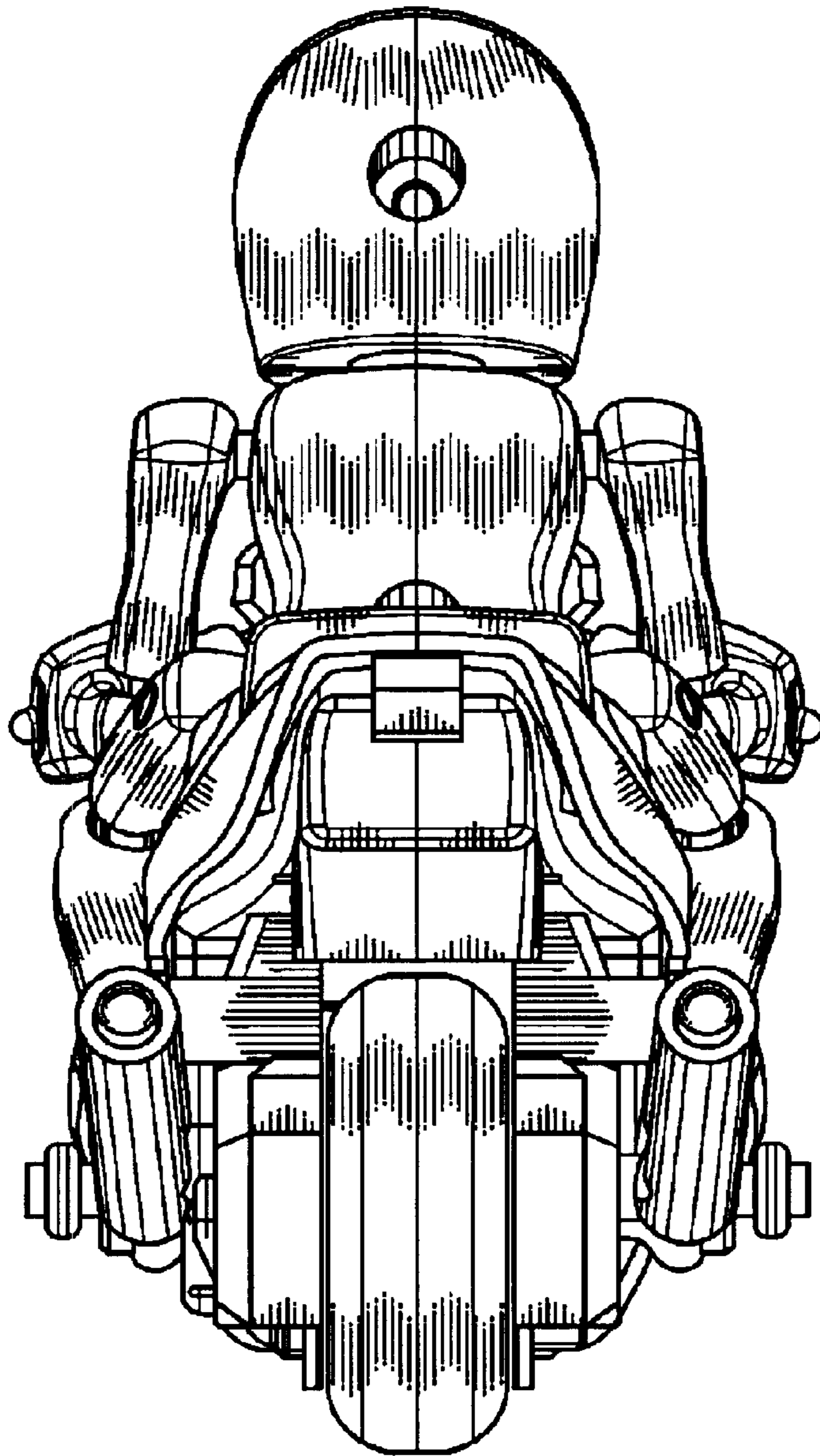


FIG. 6

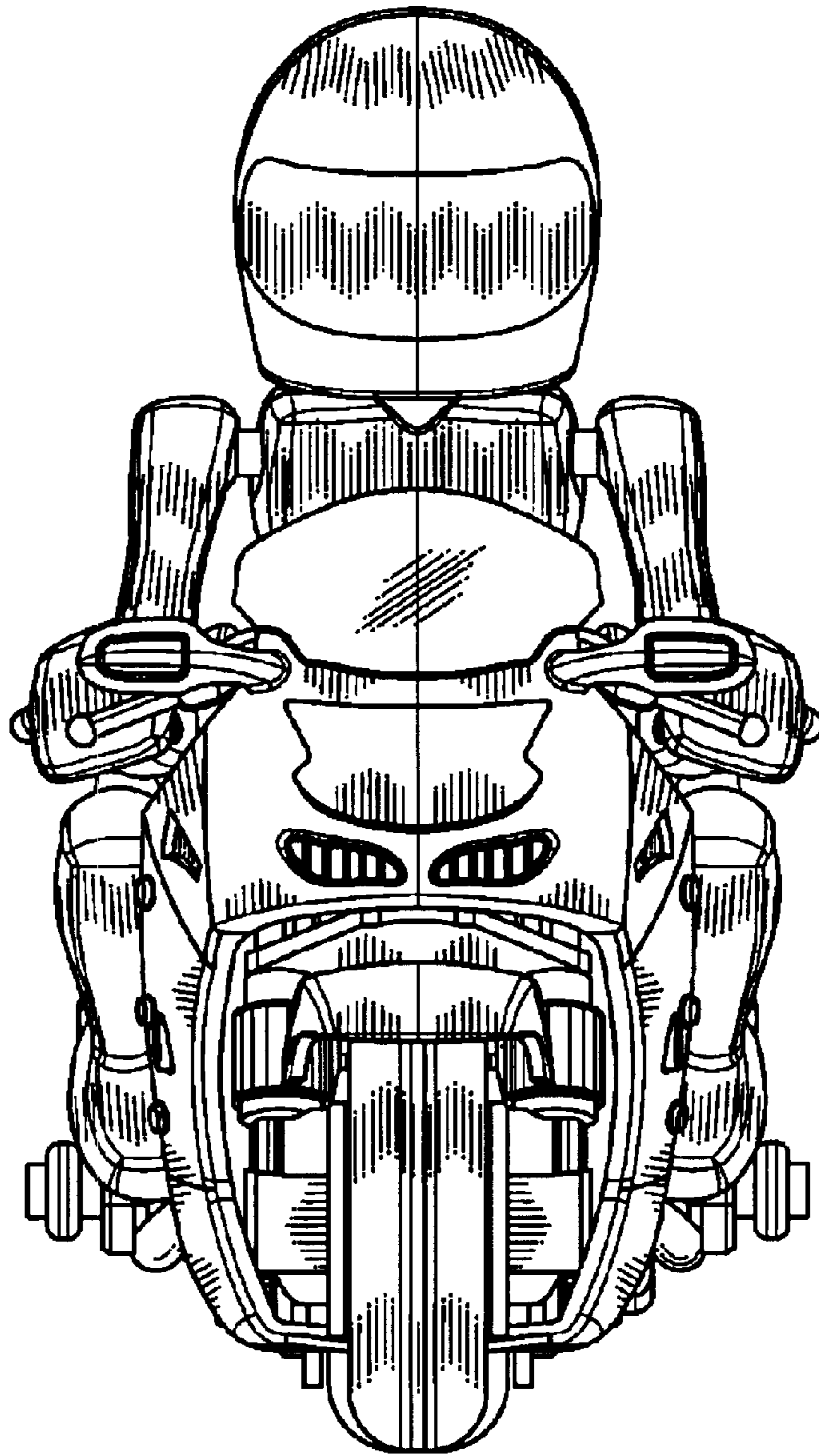


FIG. 7

UNITED STATES PATENT AND TRADEMARK OFFICE
CERTIFICATE OF CORRECTION

PATENT NO. : Des. 476,381 S
DATED : June 24, 2003
INVENTOR(S) : Mukaida

Page 1 of 1

It is certified that error appears in the above-identified patent and that said Letters Patent is hereby corrected as shown below:

Title page,
Please insert Item

-- [73], Assignee: **NIKKO Co., Ltd.**
15-15 Kameari 5-Chome
Katsushika-Ku
JAPAN --

Signed and Sealed this

Thirteenth Day of January, 2004



JON W. DUDAS
Acting Director of the United States Patent and Trademark Office