



US00D476377S

(12) **United States Design Patent**  
**Klitsner et al.**

(10) **Patent No.: US D476,377 S**

(45) **Date of Patent: \*\* Jun. 24, 2003**

(54) **GAME APPARATUS**

(75) Inventors: **Dan Klitsner**, Larkspur, CA (US);  
**Gary Levenberg**, San Francisco, CA  
(US); **Brian Clemens**, San Francisco,  
CA (US); **Peter Martin Kullgren**,  
Springfield, MA (US)

(73) Assignees: **Hasbro, Inc.**, Pawtucket, RI (US);  
**Klitsner Industrial Design, LLC**, San  
Francisco, CA (US)

(\*\*) Term: **14 Years**

(21) Appl. No.: **29/164,949**

(22) Filed: **Aug. 2, 2002**

(51) **LOC (7) Cl.** ..... **21-01**

(52) **U.S. Cl.** ..... **D21/329**

(58) **Field of Search** ..... D21/324, 329,  
D21/330, 333; D14/496, 400, 401; 273/148 B;  
463/1, 29-39, 46, 47, 5; 345/156, 903,  
905

(56) **References Cited**

**U.S. PATENT DOCUMENTS**

5,095,799 A	3/1992	Wallace et al.	
5,121,668 A	6/1992	Segan et al.	
5,166,463 A	11/1992	Weber	
5,232,223 A *	8/1993	Dornbusch .....	273/148 B
5,373,768 A	12/1994	Sciortino	
D369,387 S *	4/1996	Stambolic et al. ....	D21/329
D371,165 S *	6/1996	Stambolic et al. ....	D21/329

5,540,608 A	7/1996	Goldfarb	
5,670,729 A	9/1997	Miller et al.	
5,744,744 A	4/1998	Wakuda	
D397,371 S *	8/1998	Bagley .....	D21/329
D399,884 S *	10/1998	Schultz et al. ....	D21/329
5,889,224 A	3/1999	Tanaka	
5,893,798 A	4/1999	Stambolic et al.	
D423,600 S *	4/2000	Bagley et al. ....	D21/329
D428,937 S *	8/2000	Clemmer et al. ....	D21/329
6,210,278 B1 *	4/2001	Klitsner .....	463/37
6,225,544 B1	5/2001	Sciortino	
6,225,547 B1	5/2001	Toyama et al.	
6,274,800 B1	8/2001	Gardner	
D453,030 S *	1/2002	Lutchen et al. ....	D21/329
6,342,665 B1	1/2002	Okita et al.	
2001/0046895 A1	11/2001	Kondo et al.	

\* cited by examiner

*Primary Examiner*—Prabhakar Deshmukh

(74) *Attorney, Agent, or Firm*—Kurt R. Benson

(57) **CLAIM**

The ornamental design for a game apparatus, as shown.

**DESCRIPTION**

FIG. 1 is a perspective view of the game apparatus of the instant invention;

FIG. 2 is a front elevational view thereof;

FIG. 3 is a rear elevational view thereof;

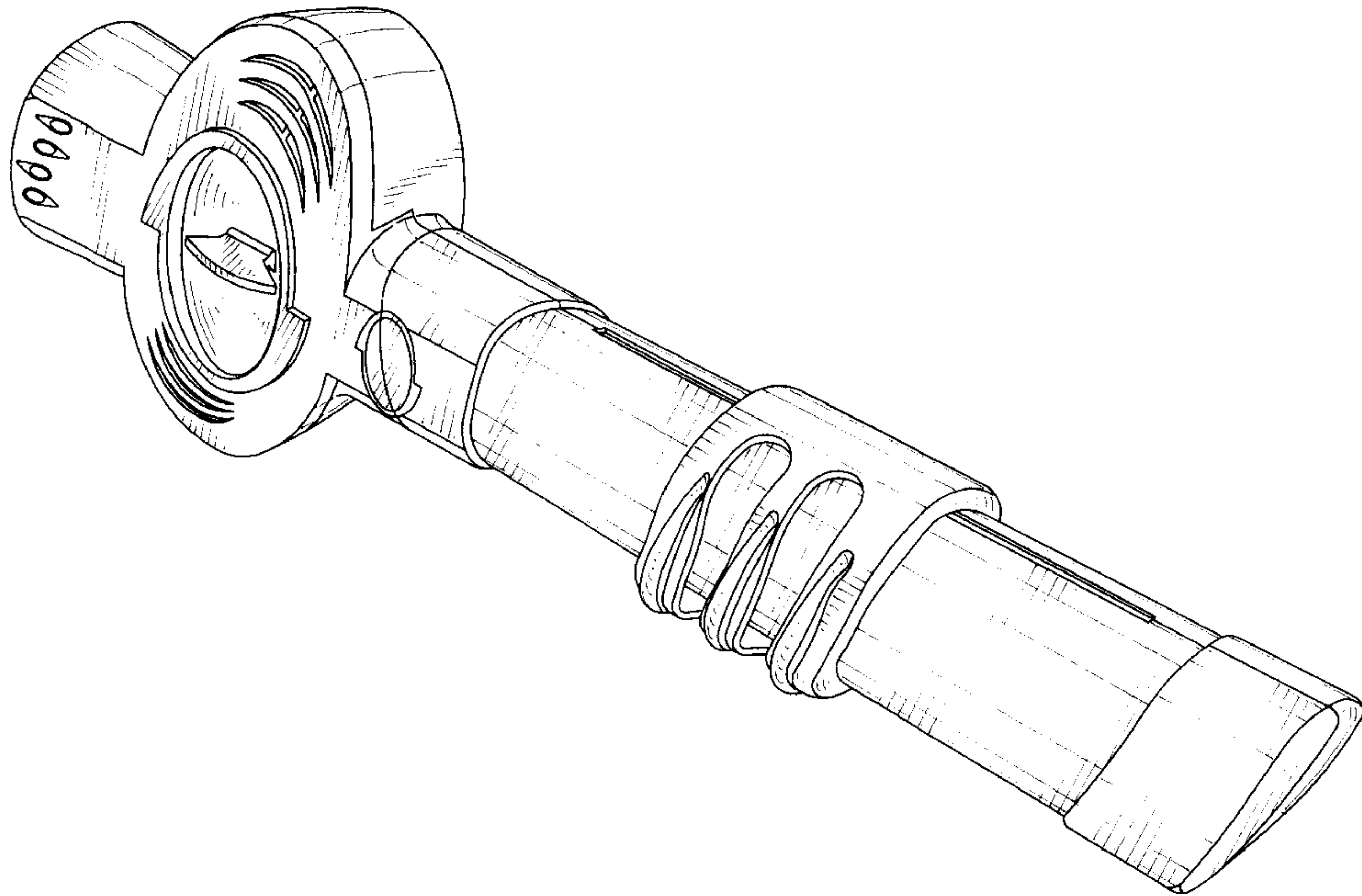
FIG. 4 is a top plan view thereof;

FIG. 5 is a bottom plan view thereof;

FIG. 6 is a right end elevational view thereof; and,

FIG. 7 is a left end elevational view thereof.

**1 Claim, 4 Drawing Sheets**



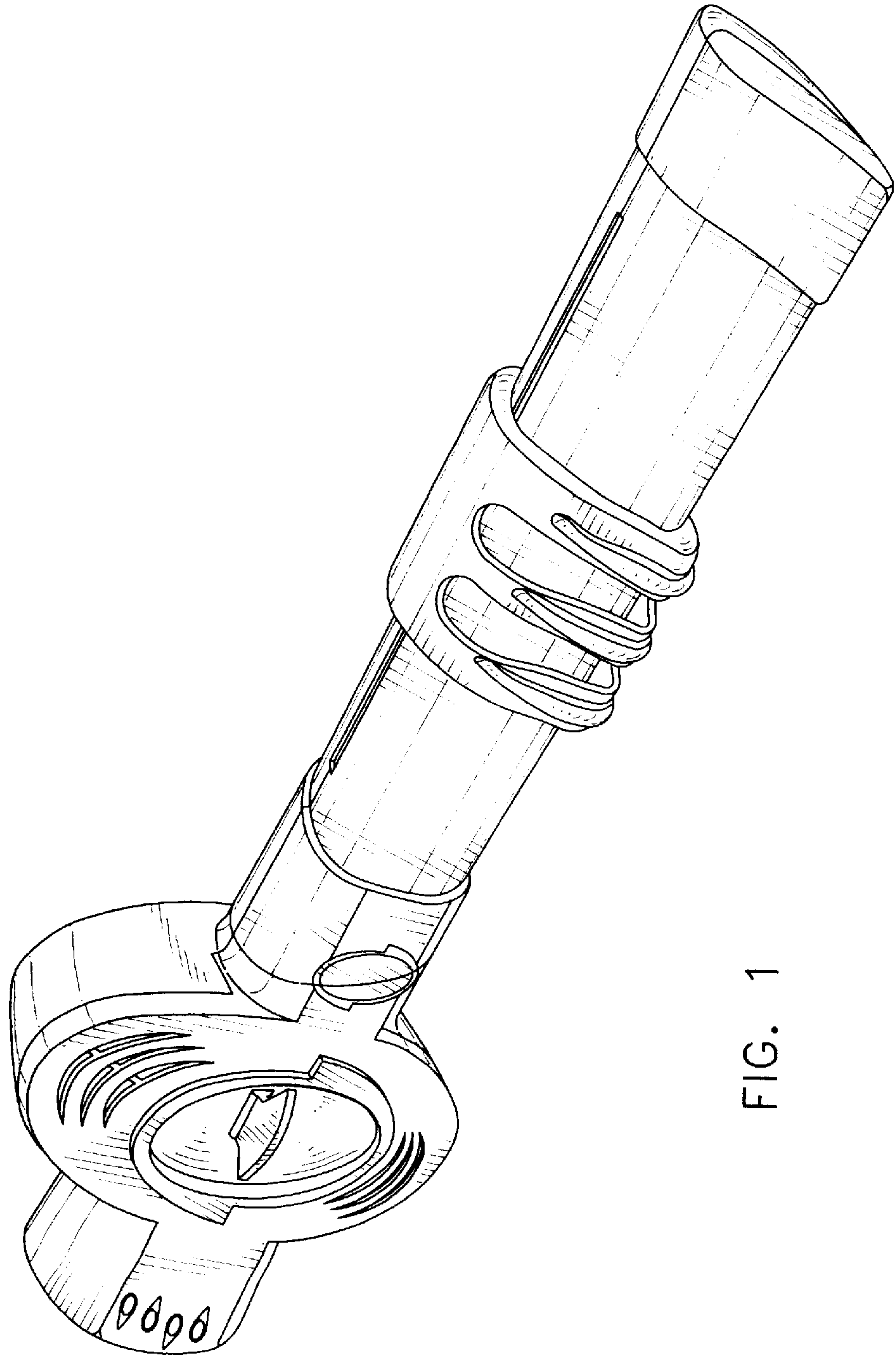


FIG. 1

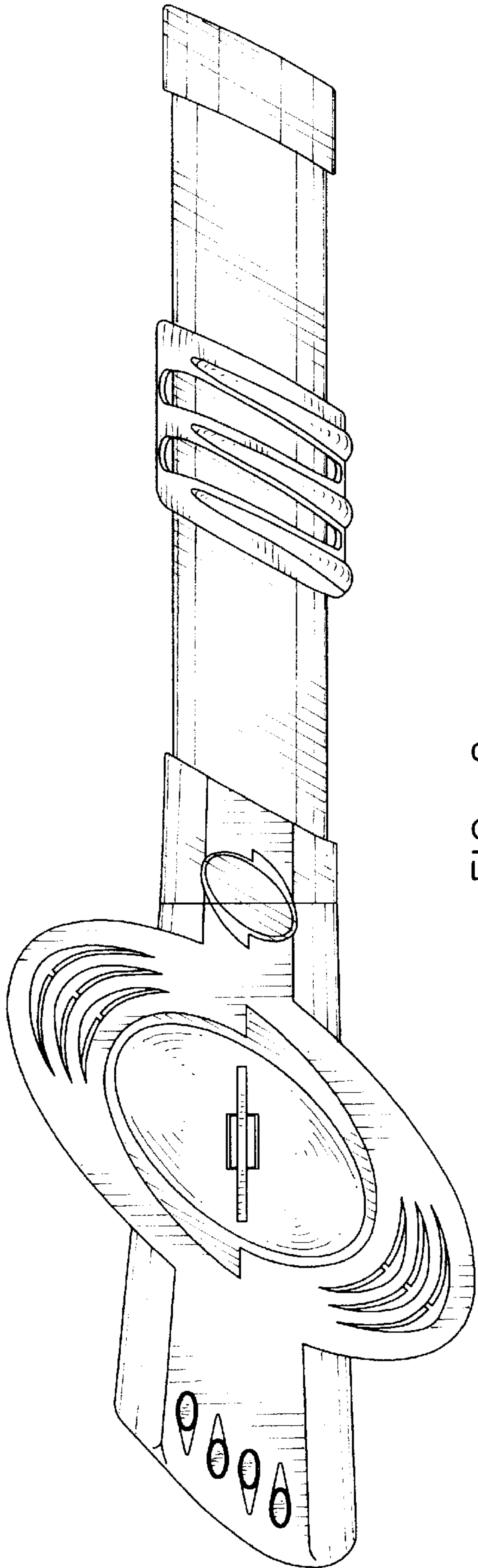


FIG. 2

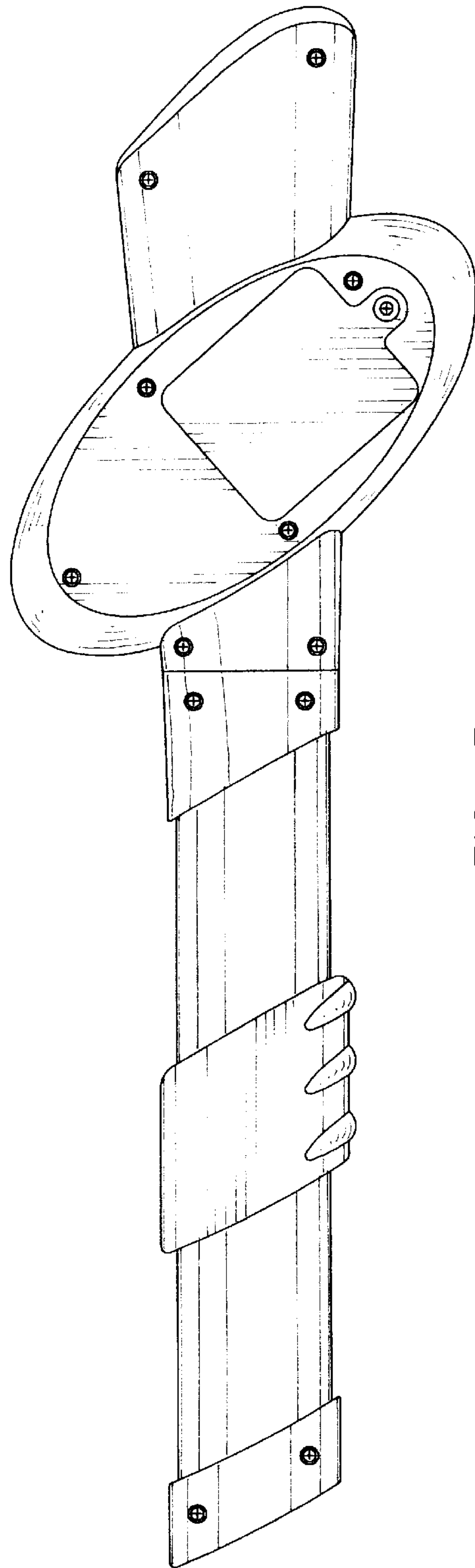


FIG. 3

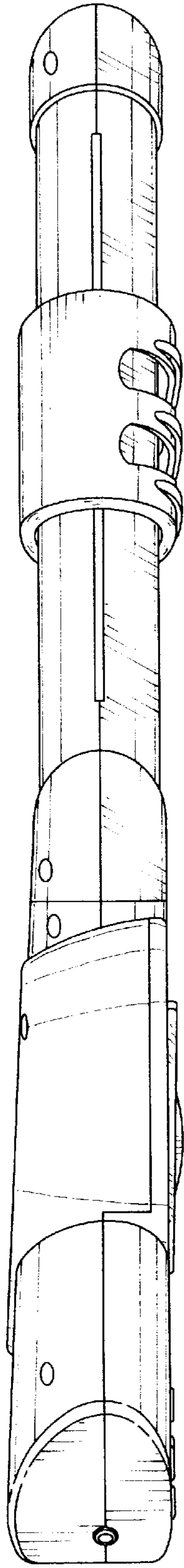


FIG. 4

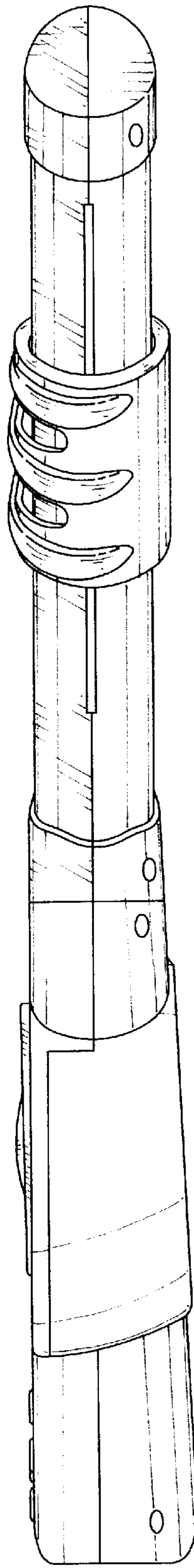


FIG. 5



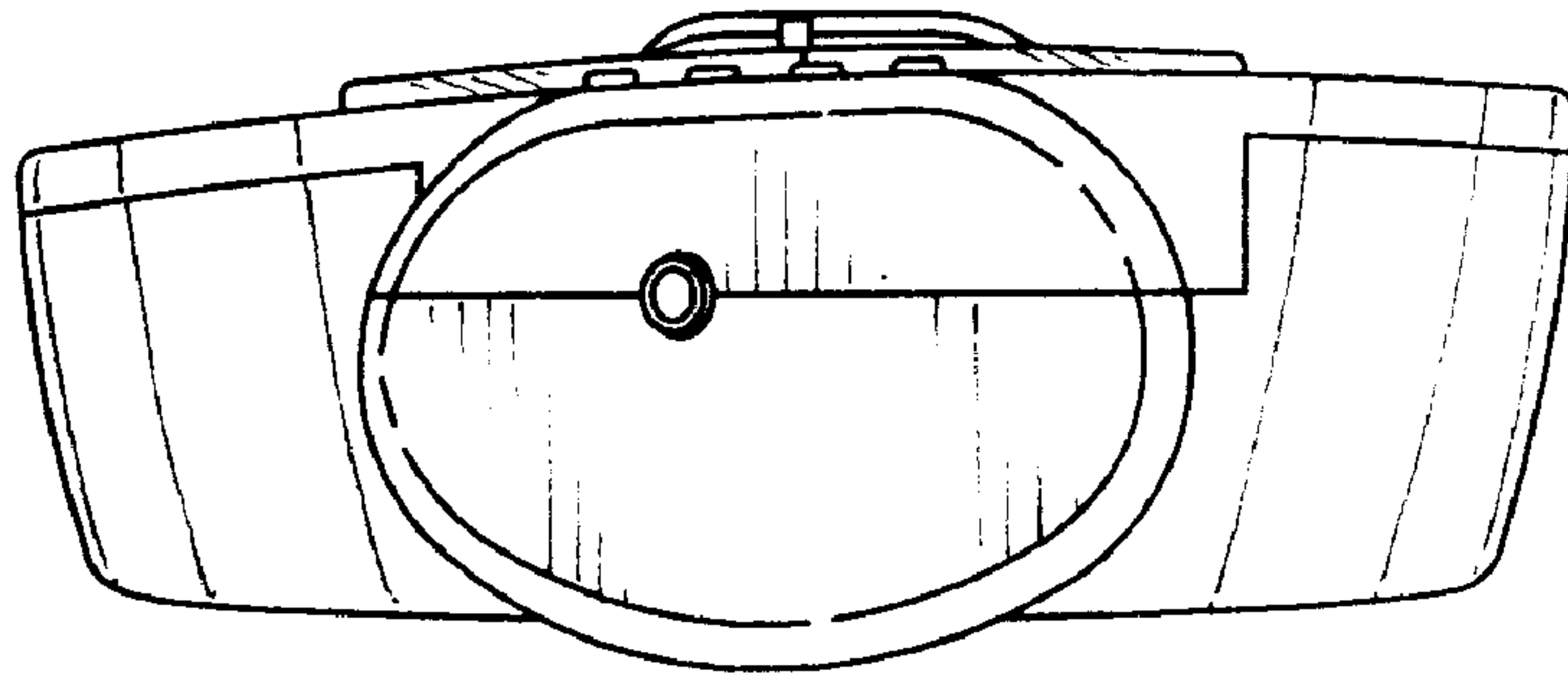


FIG. 7

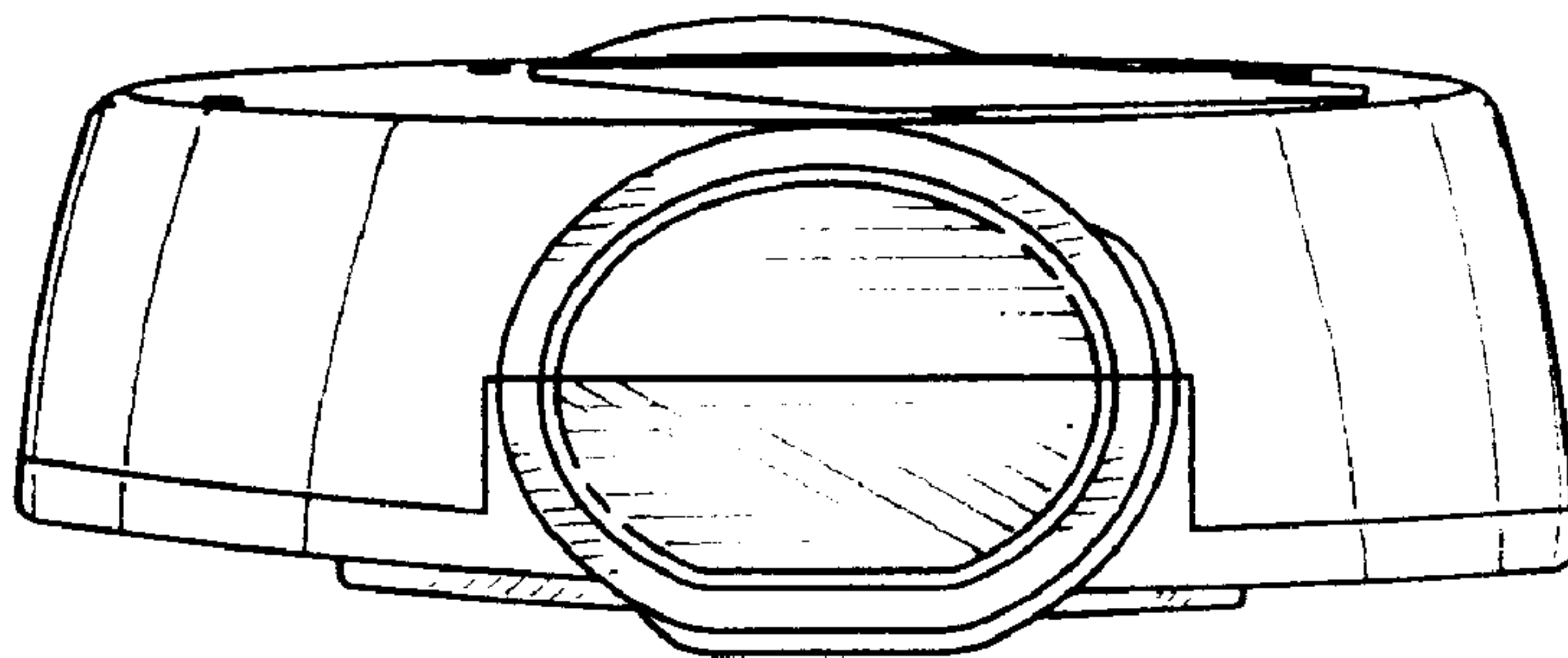


FIG. 6