



US00D476375S

(12) **United States Design Patent**
Zadak et al.

(10) **Patent No.:** **US D476,375 S**

(45) **Date of Patent:** **** Jun. 24, 2003**

(54) **COMBINATION LABEL HOLDER**

(75) Inventors: **Craig Zadak**, Roscoe, IL (US);
Thomas E. Valiulis, Rockford, IL (US)

(73) Assignee: **Southern Imperial, Inc.**, Rockford, IL (US)

(**) Term: **14 Years**

(21) Appl. No.: **29/161,094**

(22) Filed: **May 22, 2002**

(51) **LOC (7) Cl.** **20-03**

(52) **U.S. Cl.** **D20/43**

(58) **Field of Search** D20/10, 22, 40,
D20/42, 43, 44, 99; D19/20; D25/119,
121, 122, 124; 40/124.01, 124.05, 584,
642.01, 642.02, 649, 653, 654.01, 661,
661.03; 52/522; 248/214

(56) **References Cited**

U.S. PATENT DOCUMENTS

D305,911 S * 2/1990 Burlando D20/44
D393,283 S * 4/1998 Moderhack D20/10
5,815,970 A * 10/1998 Thalenfeld et al. 40/642.01
D422,643 S * 4/2000 Goslin et al. D20/43

D434,084 S * 11/2000 LaFountain et al. D20/44

* cited by examiner

Primary Examiner—Robert M. Spear

(74) *Attorney, Agent, or Firm*—Leydig, Voit & Mayer, Ltd.

(57) **CLAIM**

I claim the ornamental design for a combination label holder, as shown and described.

DESCRIPTION

FIG. 1 is a perspective view of a combination label holder, taken from the front and right of the label holder;

FIG. 2 is a perspective view of the label holder shown in FIG. 1, taken from the front and left of the label holder;

FIG. 3 is a perspective view of the label holder shown in FIG. 1, taken from the rear and right of the label holder;

FIG. 4 is a perspective view of the label holder shown in FIG. 1, taken from the rear and left of the label holder;

FIG. 5 is a top view of the label holder shown in FIG. 1;

FIG. 6 is a front view of the label holder shown in FIG. 1;

FIG. 7 is a bottom view of the label holder shown in FIG. 1;

FIG. 8 is an enlarged side view of the label holder shown in FIG. 1, taken from the left; and,

FIG. 9 is an enlarged side view of the label holder shown in FIG. 1, taken from the right.

1 Claim, 4 Drawing Sheets

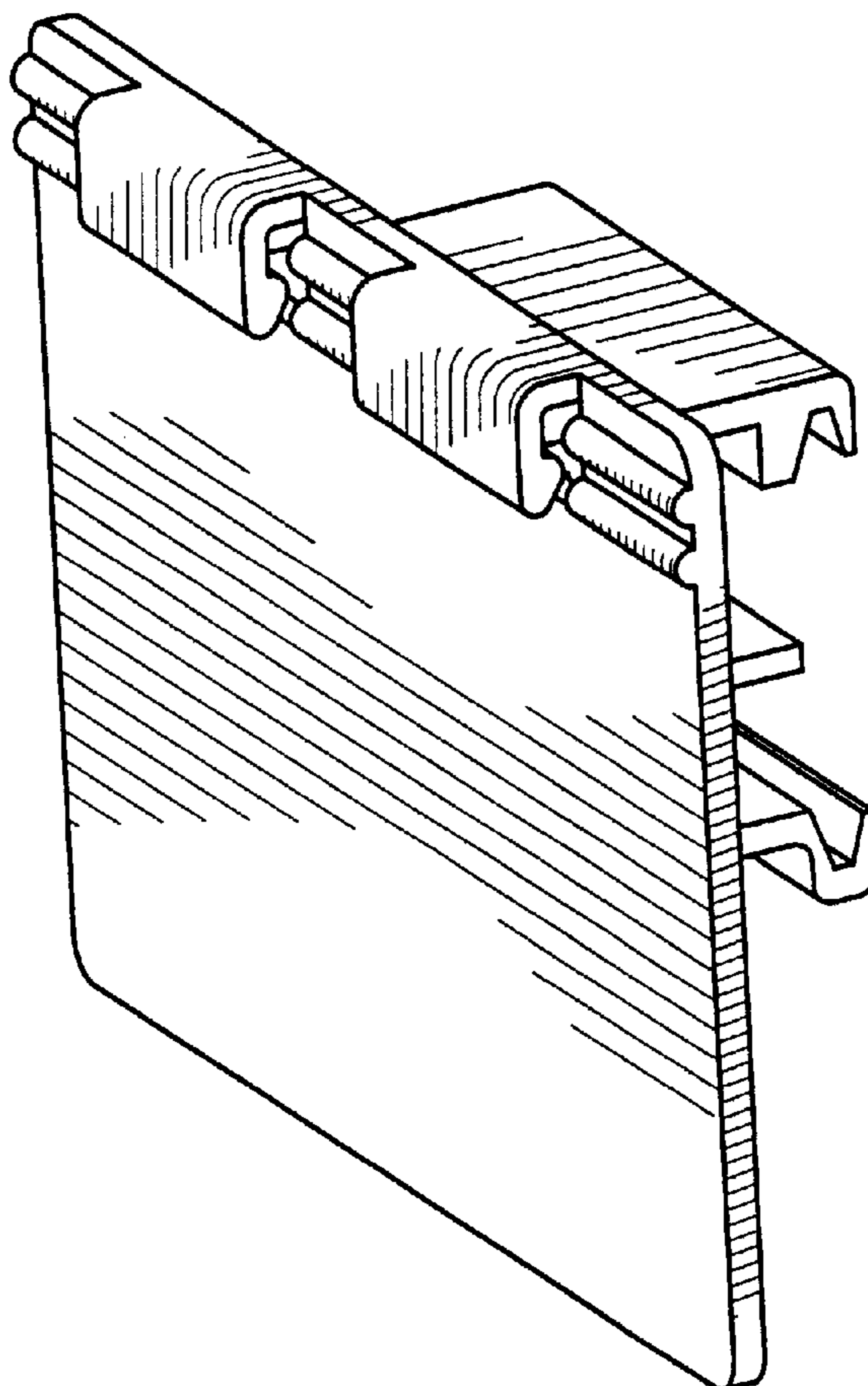


FIG. 1

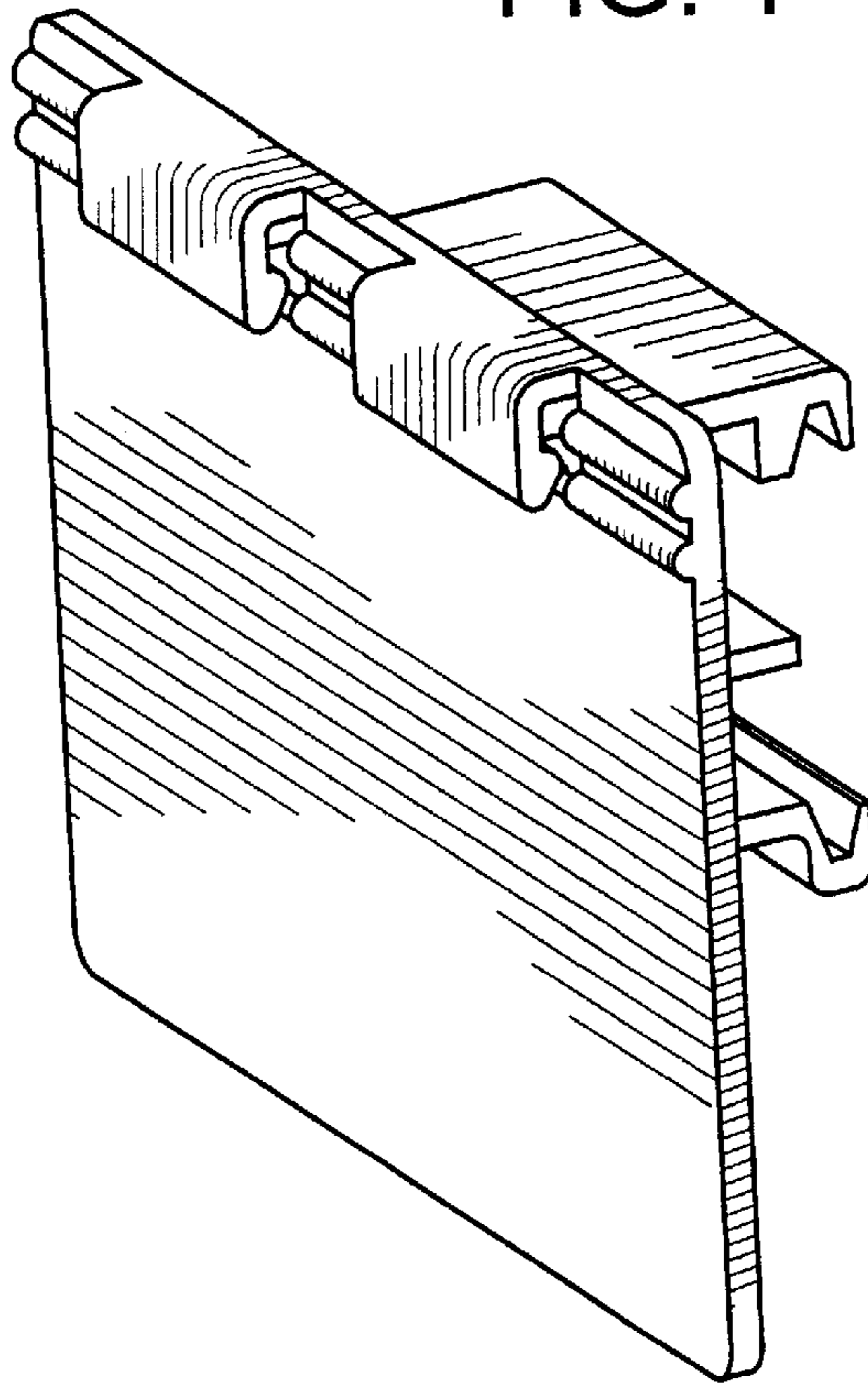


FIG. 2

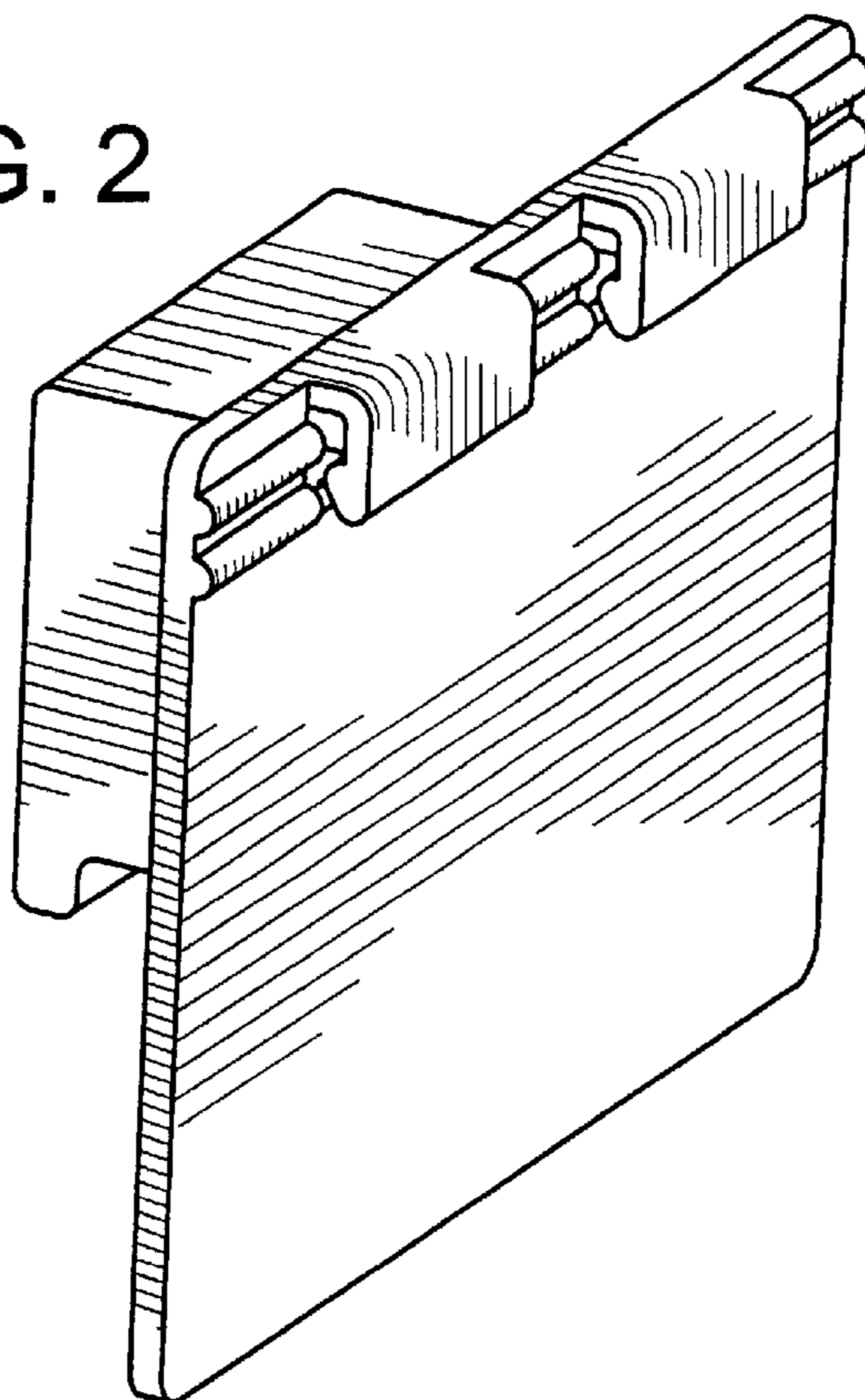


FIG. 3

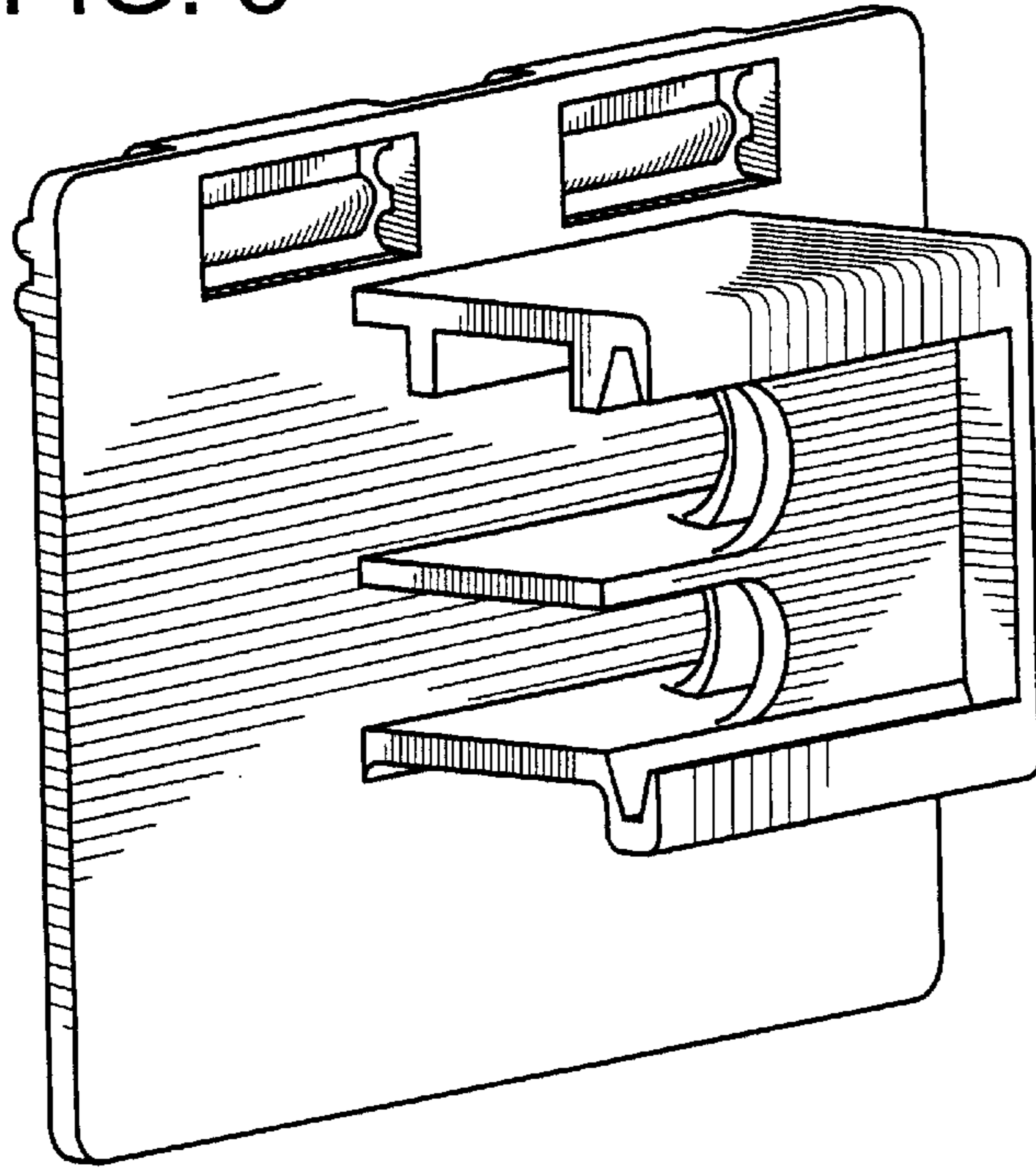


FIG. 4

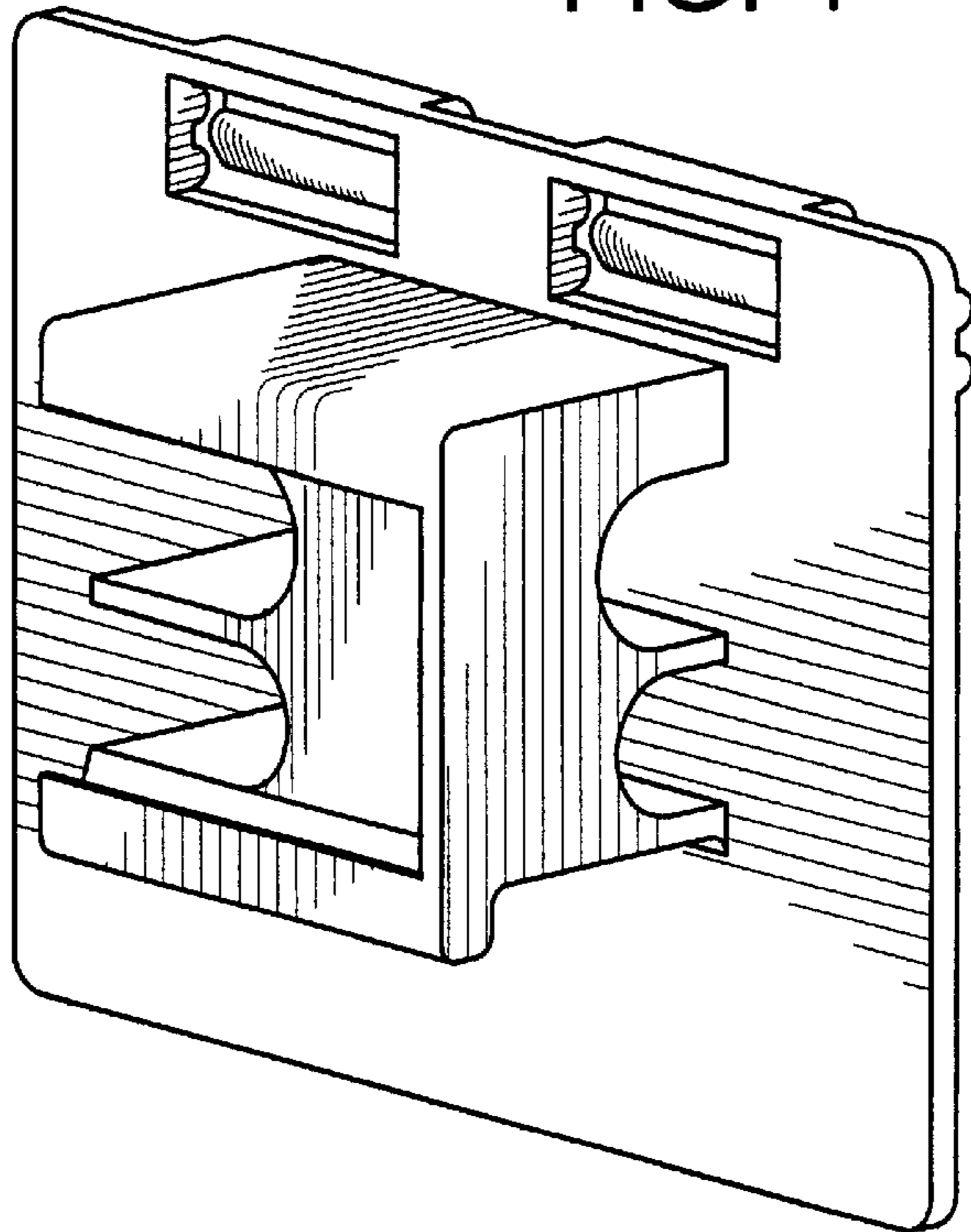


FIG. 5

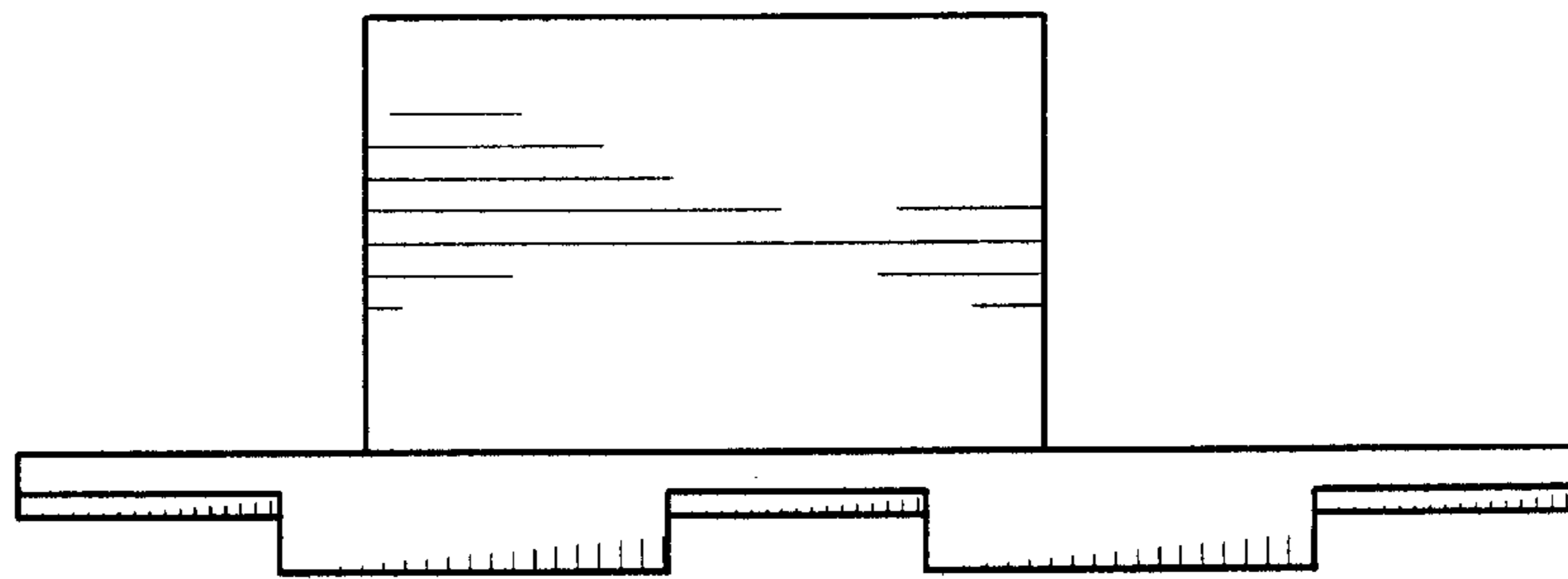


FIG. 6

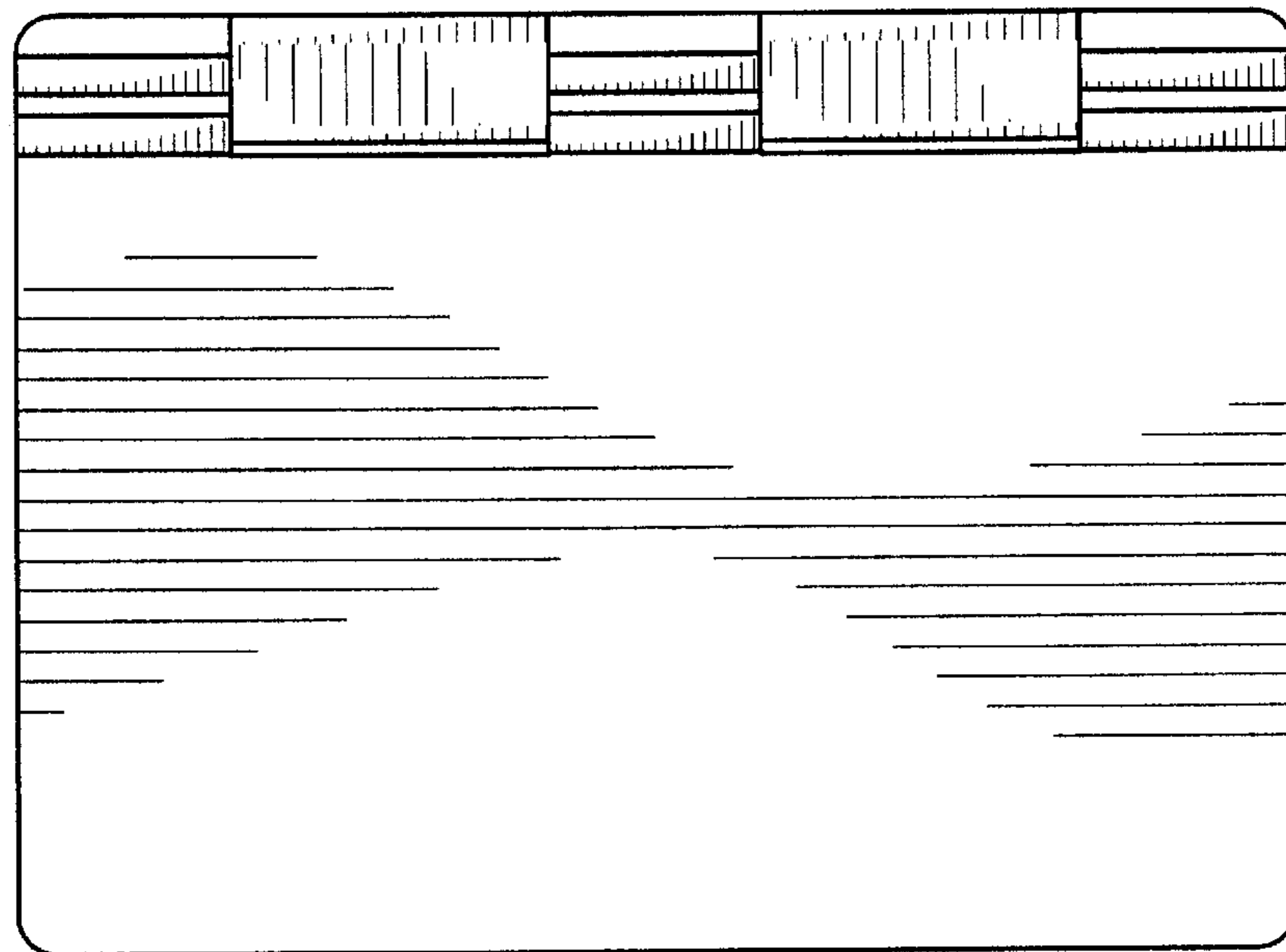


FIG. 7

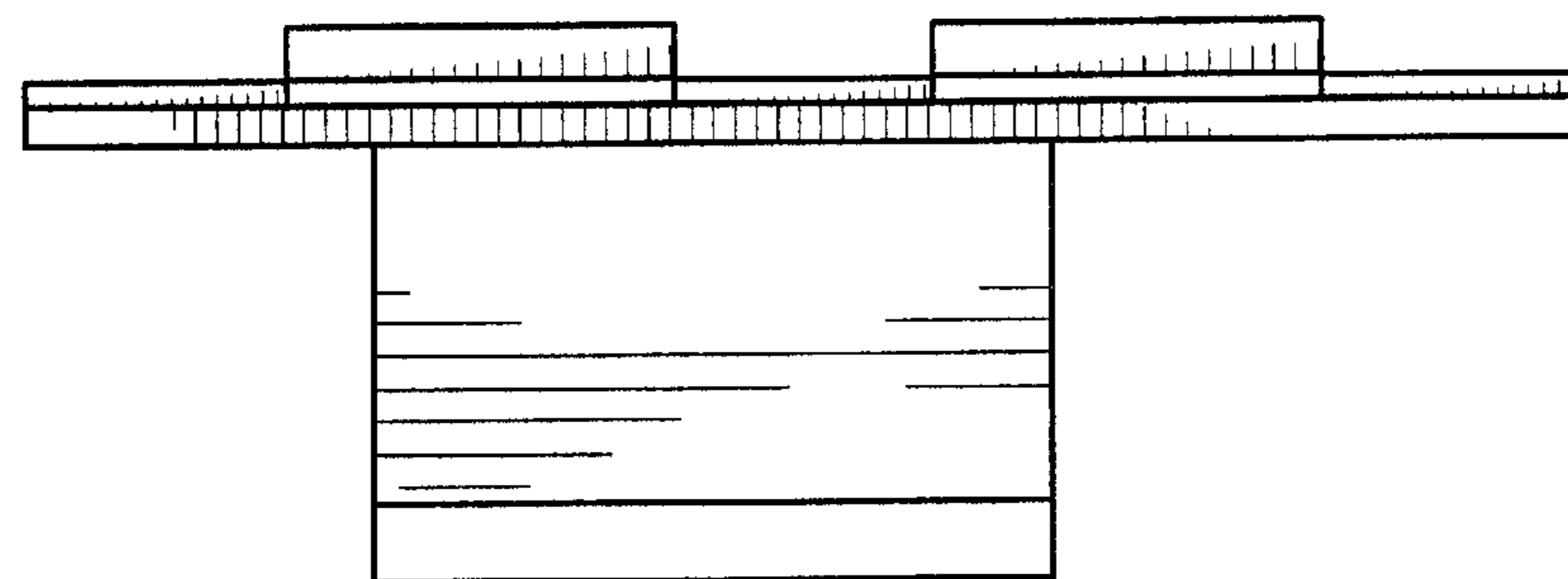


FIG. 9

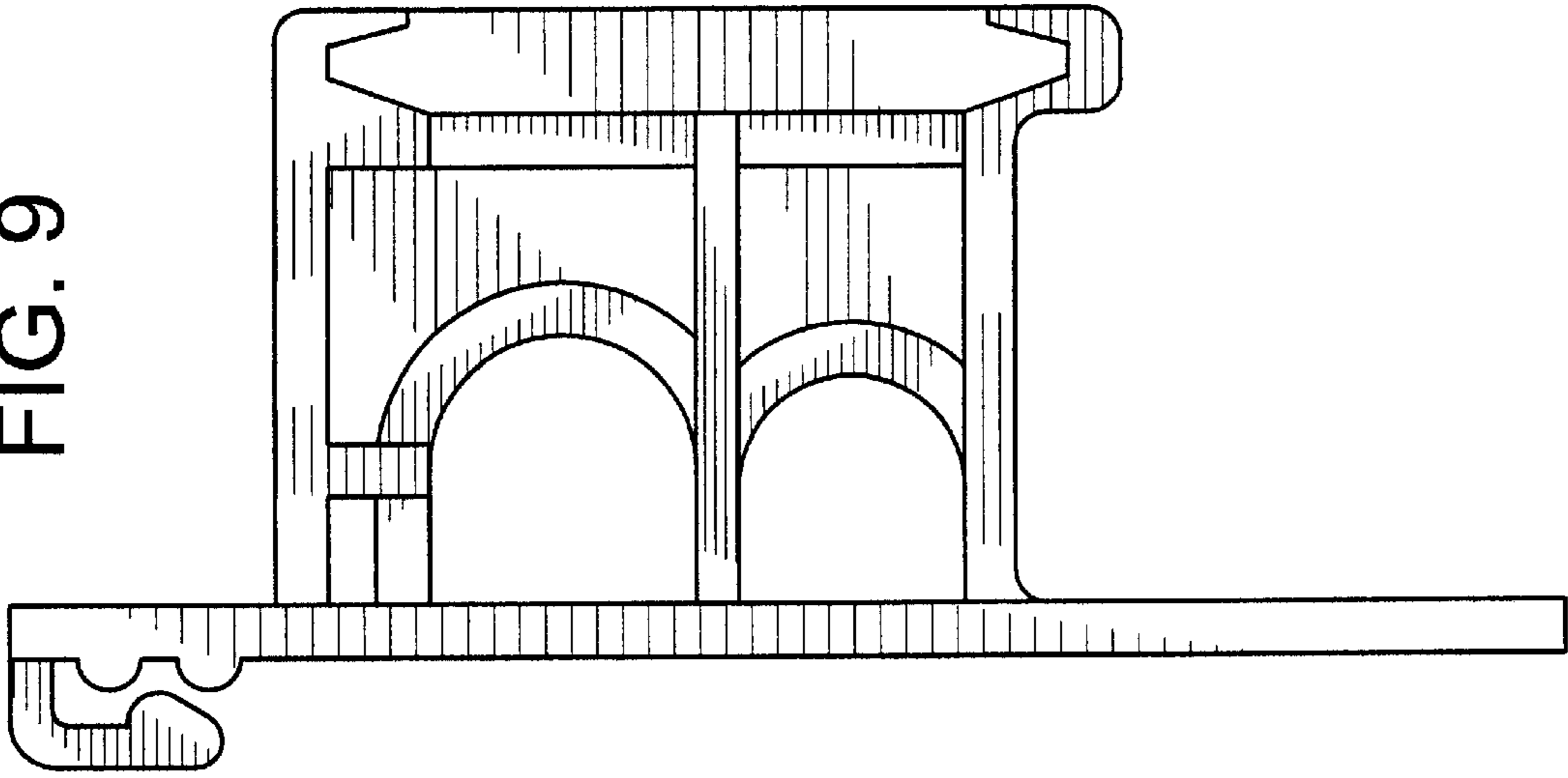


FIG. 8

