



US00D476374S

(12) **United States Design Patent**  
**Boire**

(10) **Patent No.: US D476,374 S**

(45) **Date of Patent: \*\* Jun. 24, 2003**

(54) **COMPACT DISK DISPLAY**

(76) Inventor: **Janet Boire**, 314 Philadelphia Ave.,  
Takoma Park, MD (US) 20912

(\*\*) Term: **14 Years**

(21) Appl. No.: **29/163,923**

(22) Filed: **Jul. 16, 2002**

(51) **LOC (7) Cl. .... 20-02**

(52) **U.S. Cl. .... D20/41**

(58) **Field of Search** ..... D20/10, 11, 13,  
D20/15, 19, 20, 25, 29, 31, 32, 40, 41,  
42, 99; 40/1, 218, 124.02, 124.04, 591,  
593

(56) **References Cited**

**U.S. PATENT DOCUMENTS**

D60,887 S	*	4/1922	Tuttle	.....	D20/41
1,637,626 A	*	8/1927	Smith	.....	40/572
1,927,913 A	*	9/1933	Bennett	.....	40/593
D223,165 S	*	3/1972	Komendat	.....	D20/29
D234,443 S	*	3/1975	Golub	.....	D20/42
D360,846 S	*	8/1995	Kallionpaa	.....	D20/41
D385,583 S	*	10/1997	Walsh	.....	D20/42
D407,118 S	*	3/1999	Whitten	.....	D20/10
D434,805 S	*	12/2000	Chris	.....	D20/10

**OTHER PUBLICATIONS**

Physician's Mirror, Fisher & Bragonier, Jr.: What's What,  
1981.\*

Gatorade Dump Bin, Point-of-Purchase Design Annual 5  
(The 39th Merchandizing Awards, p. 138. Copyright 1997.\*

\* cited by examiner

*Primary Examiner*—Robert M. Spear

(74) *Attorney, Agent, or Firm*—Micheal L. Greenberg;  
Greenberg & Lieberman

(57) **CLAIM**

The ornamental design for a compact disk display, as shown  
and described.

**DESCRIPTION**

FIG. 1 is an isometric view of a first embodiment of a  
compact disk display;

FIG. 2 is a left elevational view of the first embodiment of  
the present invention, the right elevational image being a  
mirror image thereof;

FIG. 3 is a frontal elevational view of the first embodiment  
of the present invention, the rear elevational view being a  
mirror image thereof;

FIG. 4 is a top elevational view of the first embodiment of  
the present invention;

FIG. 5 is a bottom elevational view of the first embodiment  
of the present invention;

FIG. 6 is an isometric view of the second embodiment of the  
present invention;

FIG. 7 is a left elevational view of the second embodiment  
of the present invention, the right elevational image being a  
mirror image thereof;

FIG. 8 is a frontal elevational view of the second embodi-  
ment of the present invention, the rear elevational view  
being a mirror image thereof;

FIG. 9 shows a top elevational view of the second embodi-  
ment of the present invention;

FIG. 10 shows a bottom elevational view of the second  
embodiment of the present invention;

FIG. 11 shows an isometric view of the third embodiment of  
the present invention;

FIG. 12 shows a left elevational view of the third embodi-  
ment, the right elevational image being a mirror image  
thereof;

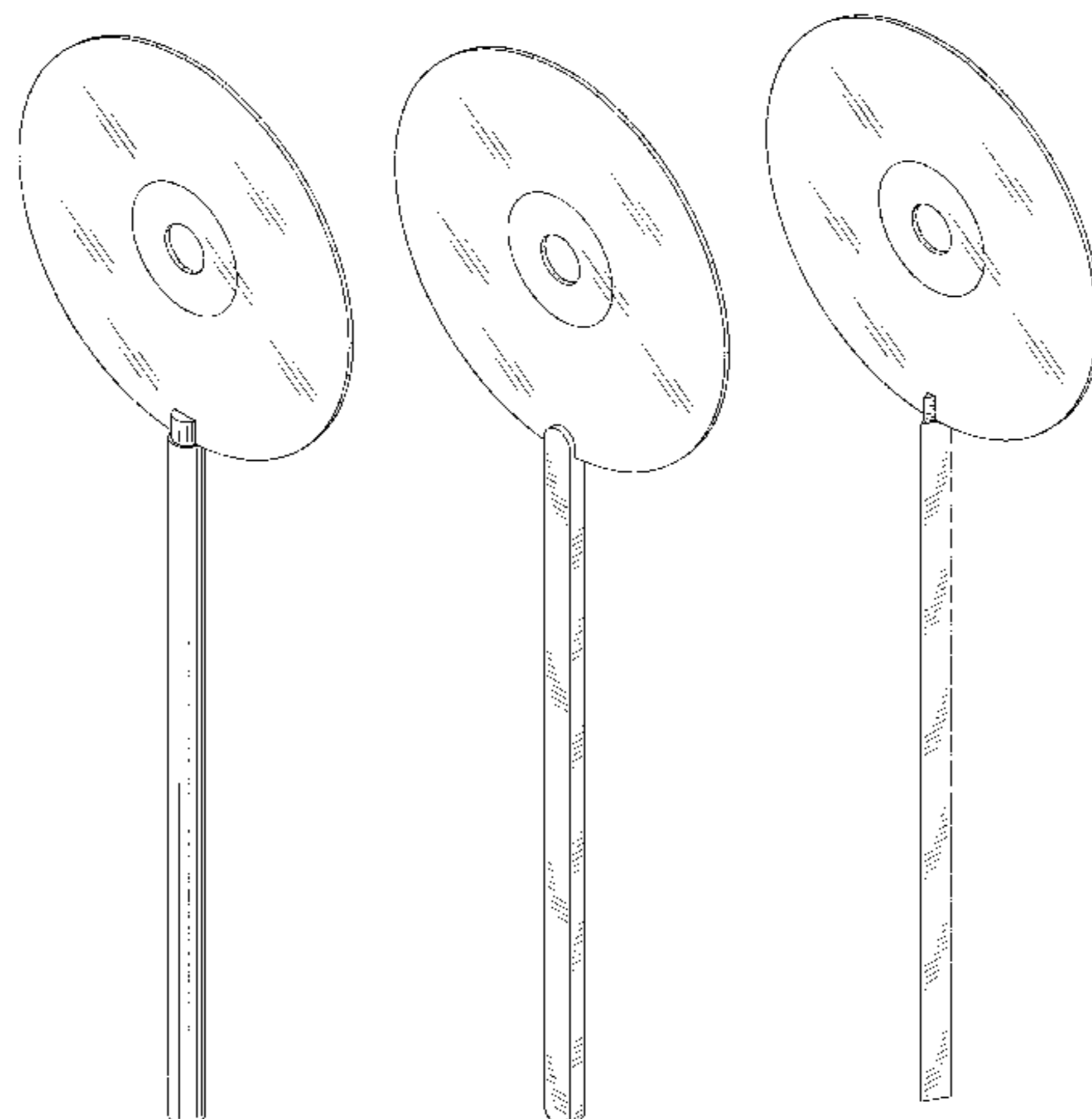
FIG. 13 is a frontal elevational view of the third embodi-  
ment of the present invention;

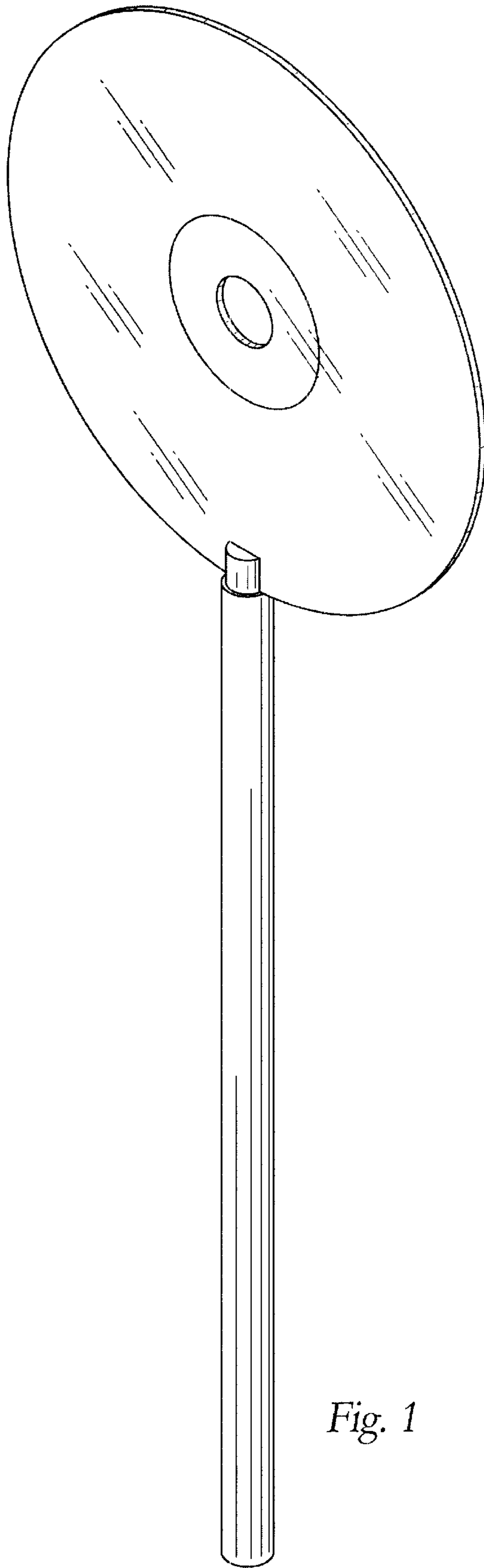
FIG. 14 shows a top elevational view of the third embodi-  
ment of the present invention;

FIG. 15 shows a bottom elevational view of the third  
embodiment of the present invention; and,

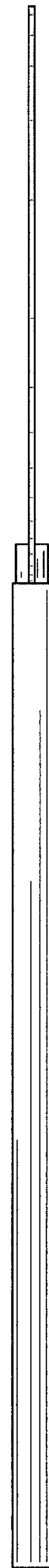
FIG. 16 shows a rear elevational view of the third embodi-  
ment of the present invention.

**1 Claim, 7 Drawing Sheets**





*Fig. 1*



*Fig. 2*

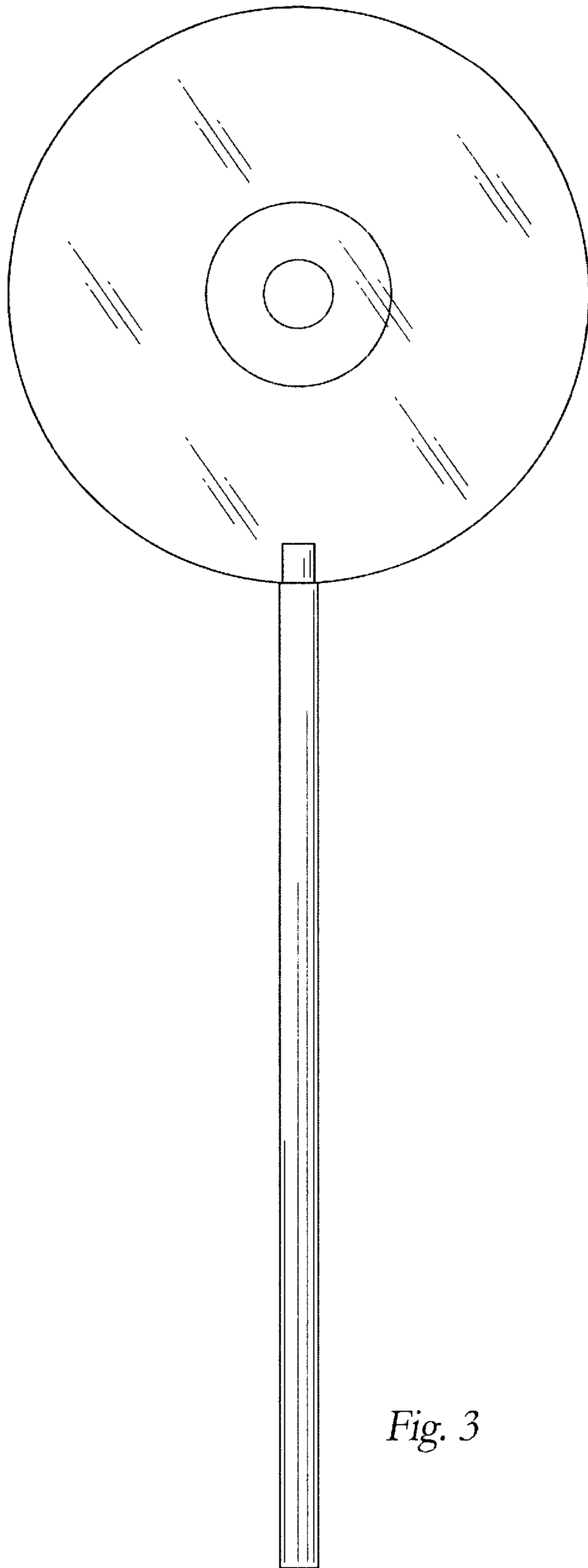


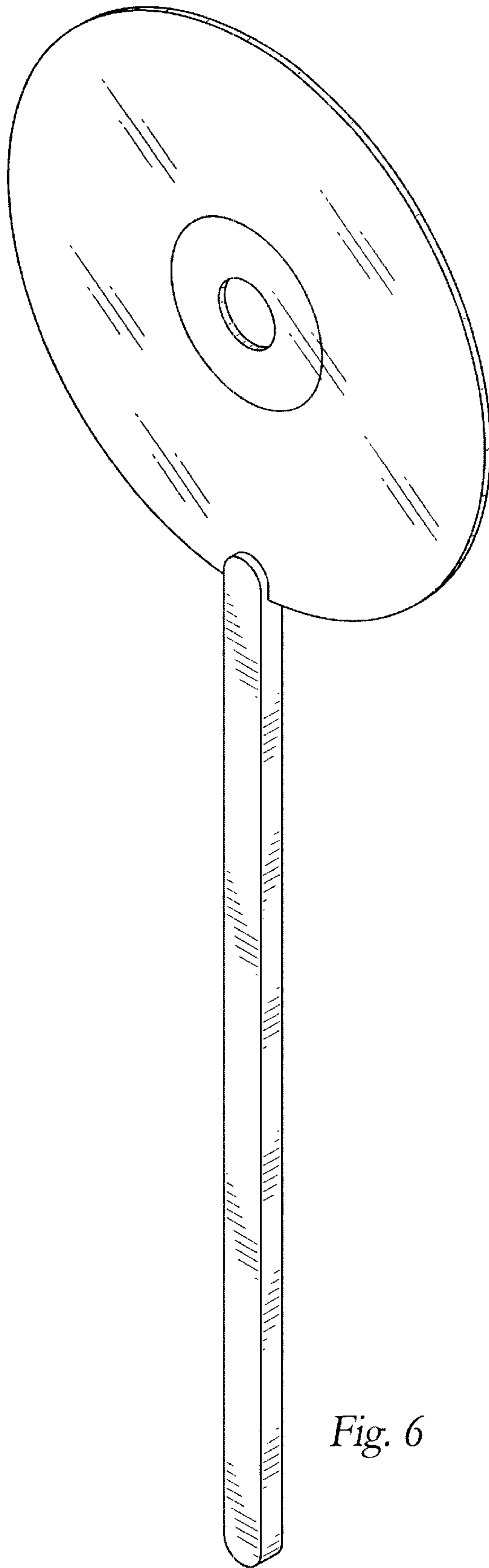
Fig. 3



Fig. 4



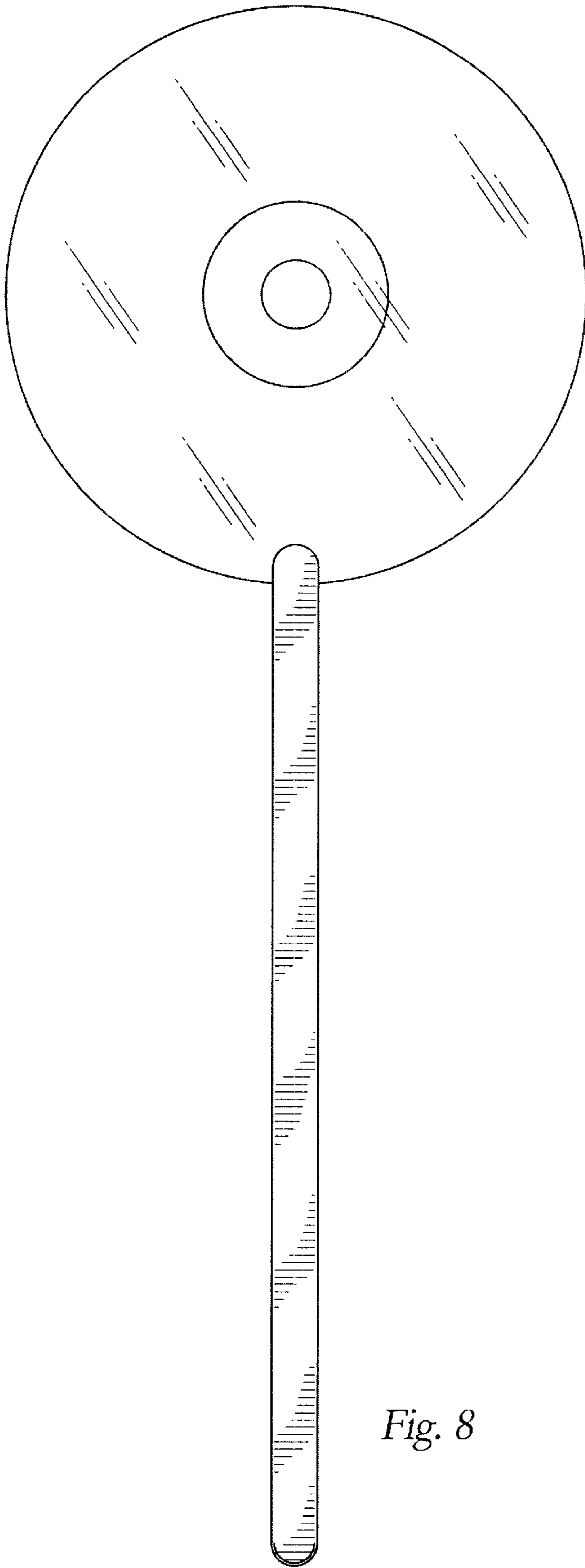
Fig. 5



*Fig. 6*



*Fig. 7*



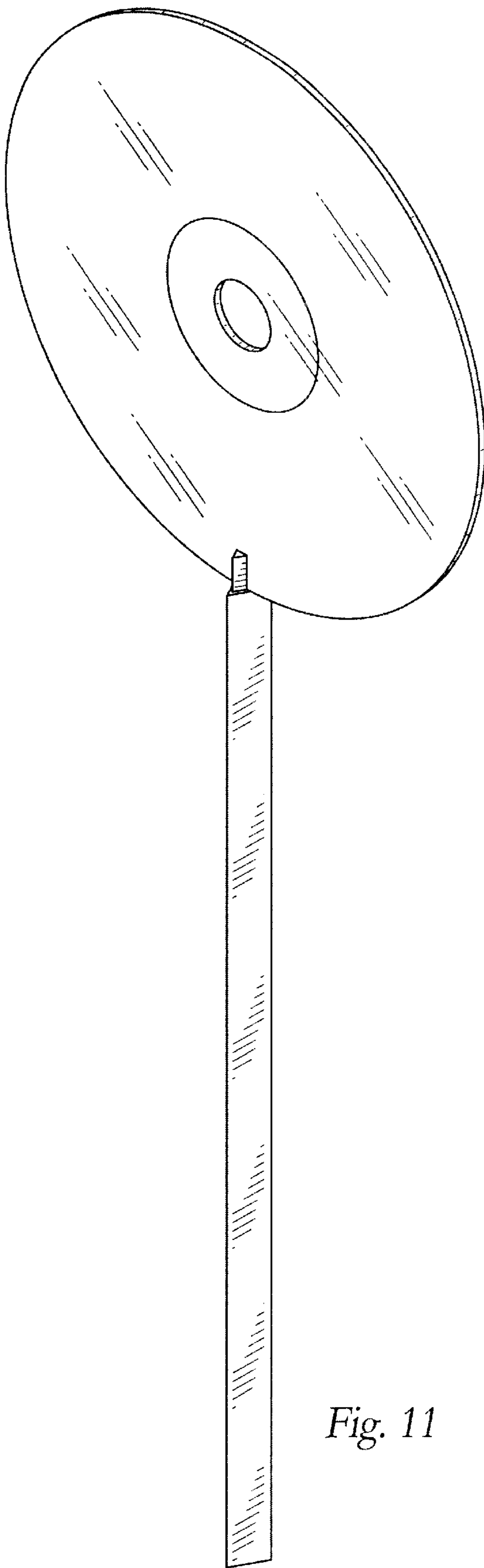
*Fig. 8*



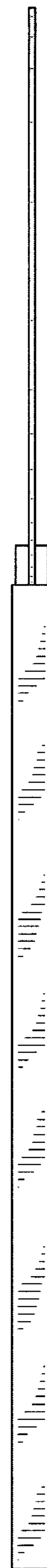
*Fig. 9*



*Fig. 10*



*Fig. 11*



*Fig. 12*

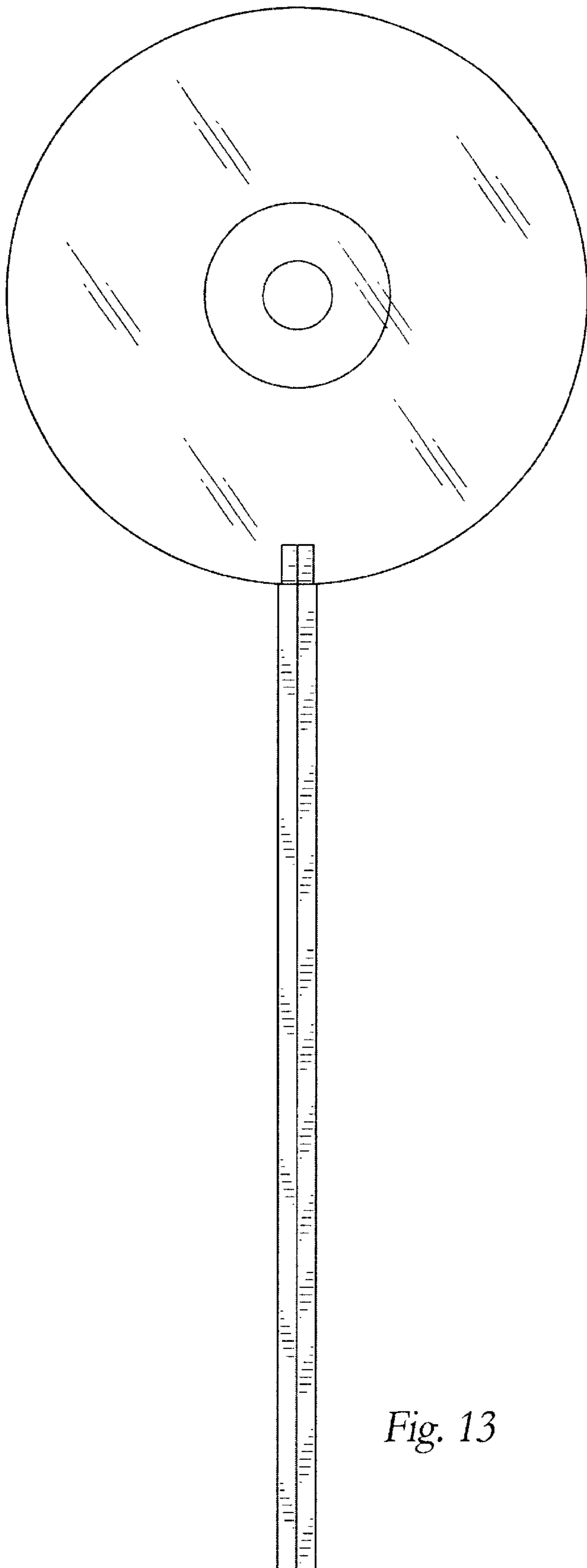


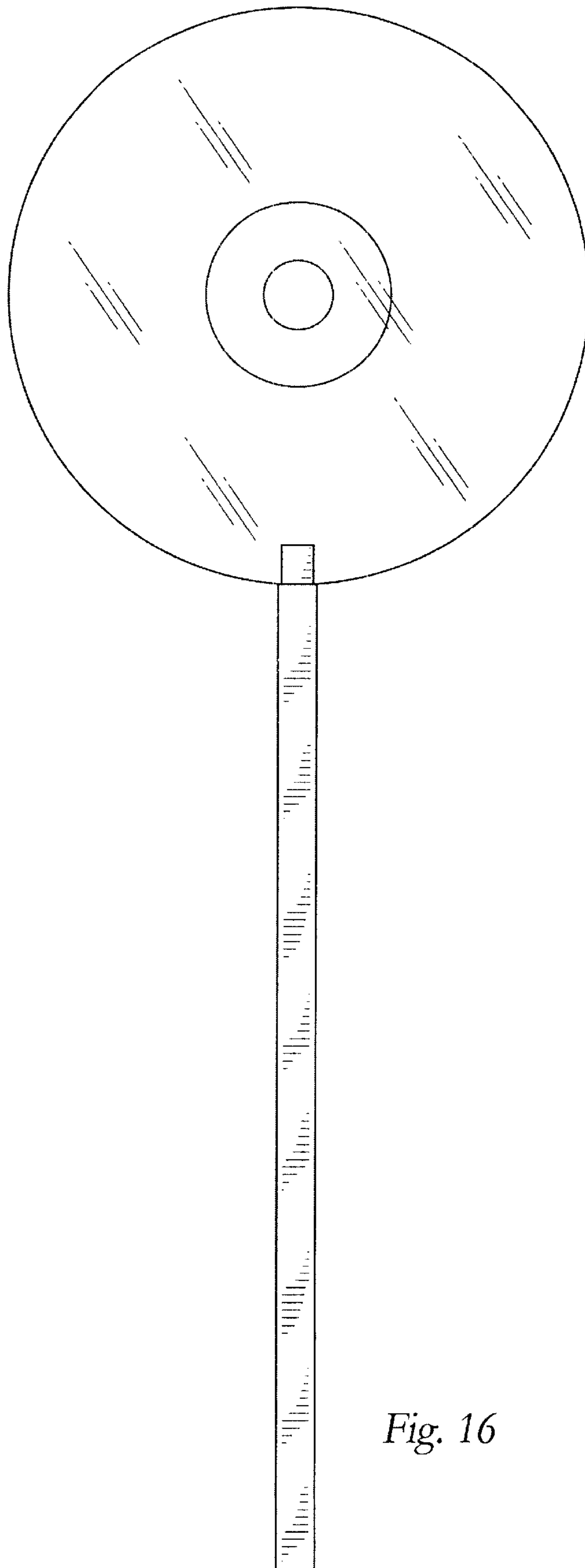
Fig. 13



Fig. 14



Fig. 15



*Fig. 16*