



US00D476370S

(12) **United States Design Patent**  
**Serrault et al.**

(10) **Patent No.:** **US D476,370 S**  
(45) **Date of Patent:** **\*\* Jun. 24, 2003**

- (54) **DOCUMENT TRAY**
- (75) Inventors: **Jayson Serrault**, Middleton, WI (US);  
**Gil Gaska**, Madison, WI (US)
- (73) Assignee: **Berol Corporation**, Freeport, IL (US)
- (\*\*) Term: **14 Years**
- (21) Appl. No.: **29/146,483**
- (22) Filed: **Aug. 10, 2001**
- (51) **LOC (7) Cl.** ..... **19-02**
- (52) **U.S. Cl.** ..... **D19/92; D19/99**
- (58) **Field of Search** ..... **D7/554.3; D32/55;**  
**D3/306; D19/65, 75, 78, 86, 90, 91, 92,**  
**95, 99, 100; 206/509-513, 215, 55, 449,**  
**555, 556; 211/11, 126.9, 126.11, 85.31,**  
**90.03, 126.13, 181.1; 220/485, 486, 495**

- 5,996,812 A \* 12/1999 Sokol, Jr. .... 211/11
- D425,937 S \* 5/2000 Serrault et al. .... D19/92
- D456,044 S \* 4/2002 St. James ..... D19/92

**OTHER PUBLICATIONS**

D. 469,470, Jan. 2003, Title: Writing Implement Container (Design), Invs.: Serrault et al.

\* cited by examiner

*Primary Examiner*—Martie K. Holtje

(74) *Attorney, Agent, or Firm*—Marshall, Gerstein & Borun

(57) **CLAIM**

We claim the ornamental design for a document tray, as shown and described.

**DESCRIPTION**

FIG. 1 is a perspective view of one embodiment of a document tray;  
 FIG. 2 is a top view of the document tray shown in FIG. 1;  
 FIG. 3 is a front view of the document tray shown in FIG. 1;  
 FIG. 4 is a side view of the document tray shown in FIG. 1, the opposite side of the document tray being the same as that shown in FIG. 4;  
 FIG. 5 is a rear view of the document tray shown in FIG. 1; and,  
 FIG. 6 is a bottom view of the document tray shown in FIG. 1.

The ornamental design which is claimed is shown in solid lines in the drawings. The broken lines in the drawings are for illustrative purposes only and form no part of the claimed design.

**1 Claim, 3 Drawing Sheets**

(56) **References Cited**

**U.S. PATENT DOCUMENTS**

- 893,786 A \* 7/1908 Collis et al. .... 211/126.11
- D39,557 S \* 9/1908 Hebestreit ..... D7/554.3
- 933,517 A \* 9/1909 Worcester ..... 211/126.11
- 2,554,232 A \* 5/1951 Young ..... 211/126.9
- D178,183 S \* 7/1956 Glezen ..... D32/55
- 3,204,778 A \* 9/1965 Nawman et al. .... 206/510
- 3,305,125 A \* 2/1967 Chesley ..... 220/485
- D215,378 S \* 9/1969 Schaible ..... D19/92
- 3,704,791 A \* 12/1972 Young, Jr. .... 211/126.9
- 3,717,259 A \* 2/1973 Fried et al. .... 211/126.9
- D235,994 S \* 7/1975 Stiene ..... D19/92
- D265,325 S \* 7/1982 Rich ..... D19/92
- D315,925 S \* 4/1991 Rich ..... D19/92
- D348,693 S \* 7/1994 Tillyer, Sr. .... D19/86
- D353,159 S \* 12/1994 Kirchner et al. .... D19/92

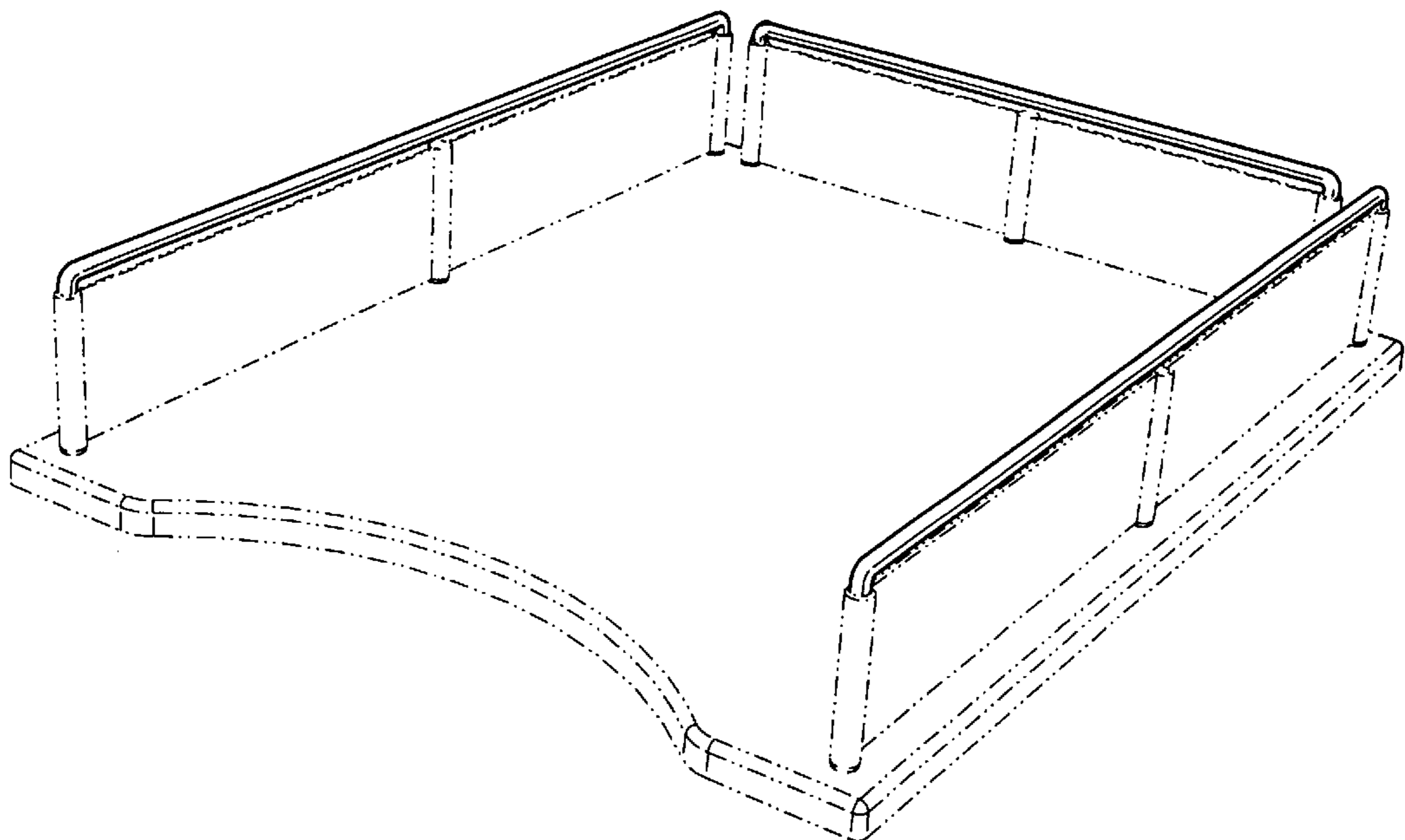


FIG. 1

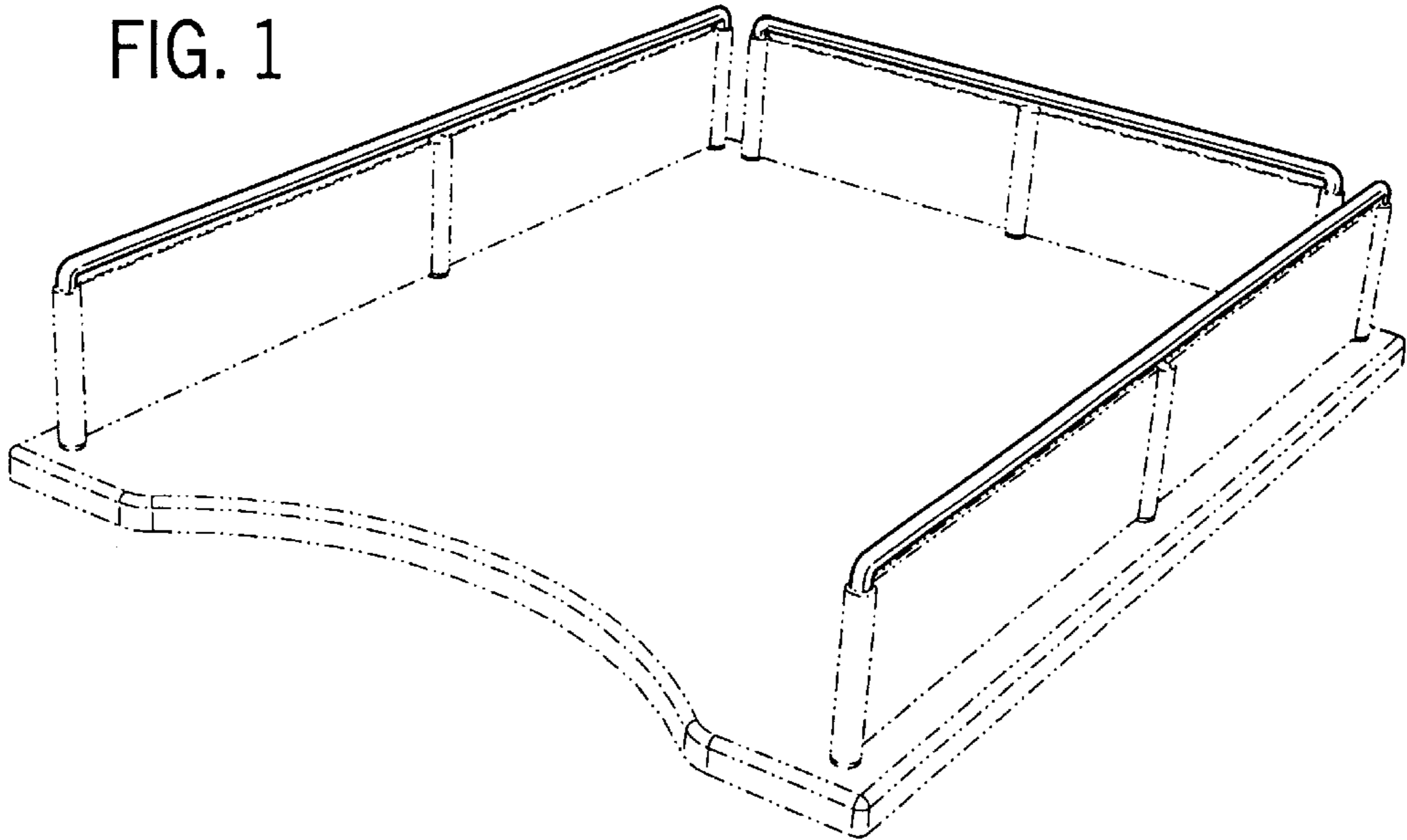
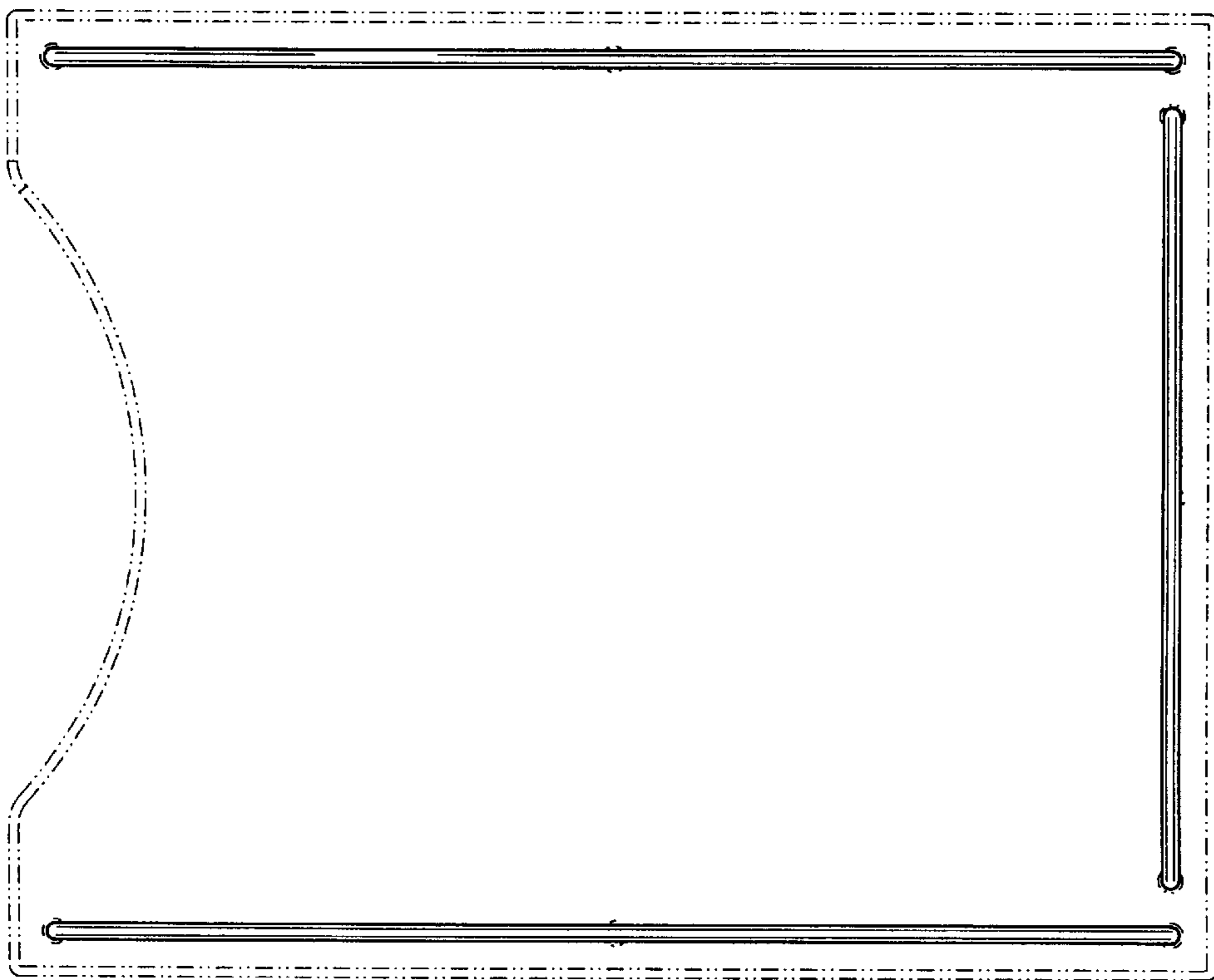


FIG. 2



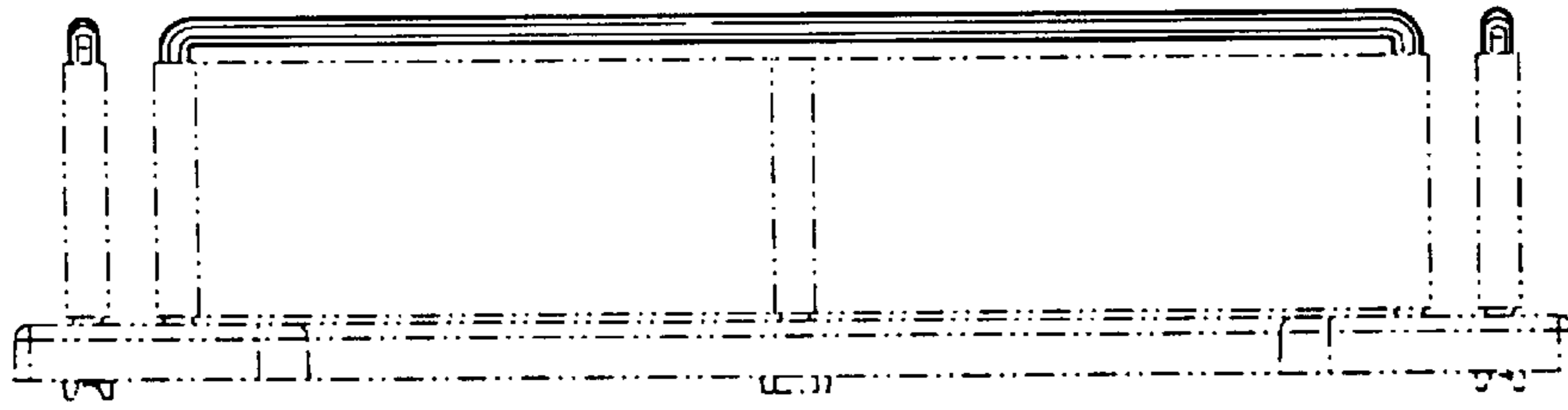


FIG. 3

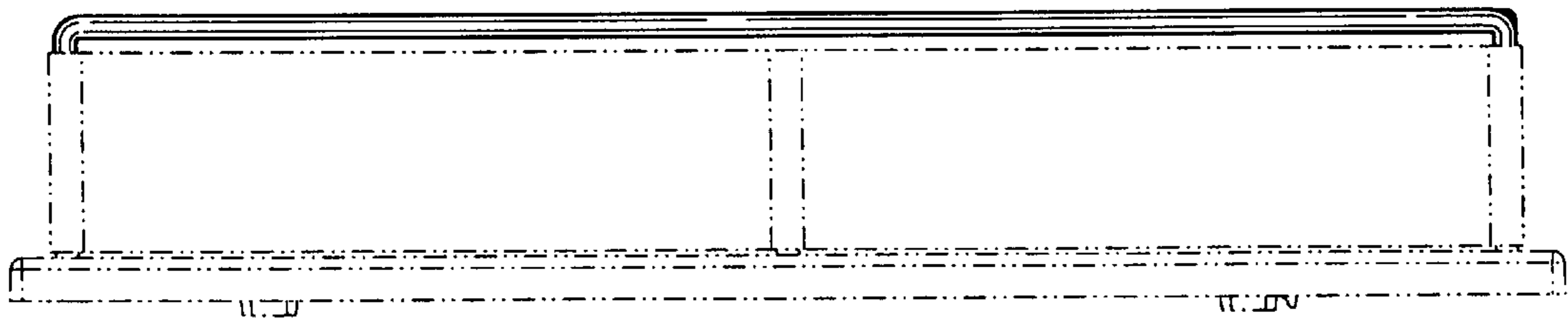


FIG. 4

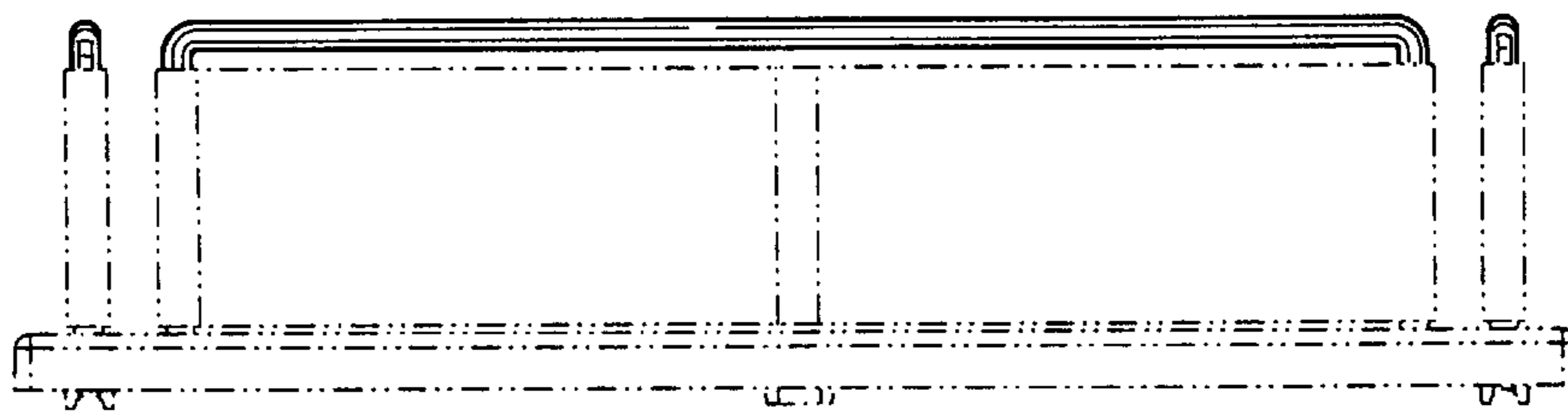


FIG. 5

FIG. 6

