



US00D476368S

(12) **United States Design Patent**
Suzuki

(10) **Patent No.:** **US D476,368 S**

(45) **Date of Patent:** **** Jun. 24, 2003**

(54) **TAPE DISPENSER HAVING A
TRANSPARENT CASING**

D447,175 S * 8/2001 Blom et al. D19/46
D452,273 S * 12/2001 Blom et al. D19/46

(75) Inventor: **Kazuhiko Suzuki**, Kanagawa (JP)

* cited by examiner

(73) Assignee: **Tombow Pencil Co., Ltd.**, Tokyo (JP)

Primary Examiner—Martie K. Holtje
(74) *Attorney, Agent, or Firm*—Birch, Stewart, Kolasch & Birch, LLP

(**) Term: **14 Years**

(21) Appl. No.: **29/166,520**

(22) Filed: **Aug. 30, 2002**

(30) **Foreign Application Priority Data**

Mar. 1, 2002 (JP) 2002-005475

(51) **LOC (7) Cl.** **19-02**

(52) **U.S. Cl.** **D19/69; D19/67**

(58) **Field of Search** D19/36, 46, 53,
D19/65, 66, 67-69, 72, 89, 99, 100; 225/6,
7, 11, 12, 19, 22, 25, 34, 35, 46, 56, 57,
77, 89; 242/588, 588.1-588.6, 590; 156/510,
327, 523, 527, 540, 577; 118/200; 15/104.93,
104.94; 401/85

(56) **References Cited**

U.S. PATENT DOCUMENTS

- 1,427,985 A * 9/1922 Vasselli 401/85
- D198,959 S * 8/1964 Di Fulvio et al. D19/36
- D378,532 S * 3/1997 Suzuki D19/69
- 5,679,156 A * 10/1997 Matsumaru 118/200
- D400,923 S * 11/1998 Katami D19/69
- 6,000,455 A * 12/1999 Semmler 156/540
- D438,251 S * 2/2001 Katami D19/69

(57) **CLAIM**

The ornamental design for a tape dispenser having a transparent casing, as shown and described.

DESCRIPTION

FIG. 1 is a front view of the tape dispenser having a transparent casing showing my new design with a head cover in a retracted position for exposing an application head;

FIG. 2 is a right side view thereof;

FIG. 3 is a left side view thereof;

FIG. 4 is a rear view thereof;

FIG. 5 is a top view thereof;

FIG. 6 is a bottom view thereof;

FIG. 7 is a front view similar to FIG. 1, with the head cover in an advanced position for covering the application head;

FIG. 8 is a perspective view thereof in a position during use with the head cover in the retracted position for exposing the application head; and,

FIG. 9 is a perspective view similar to FIG. 8, with the head cover in the advanced position for covering the application head.

1 Claim, 3 Drawing Sheets

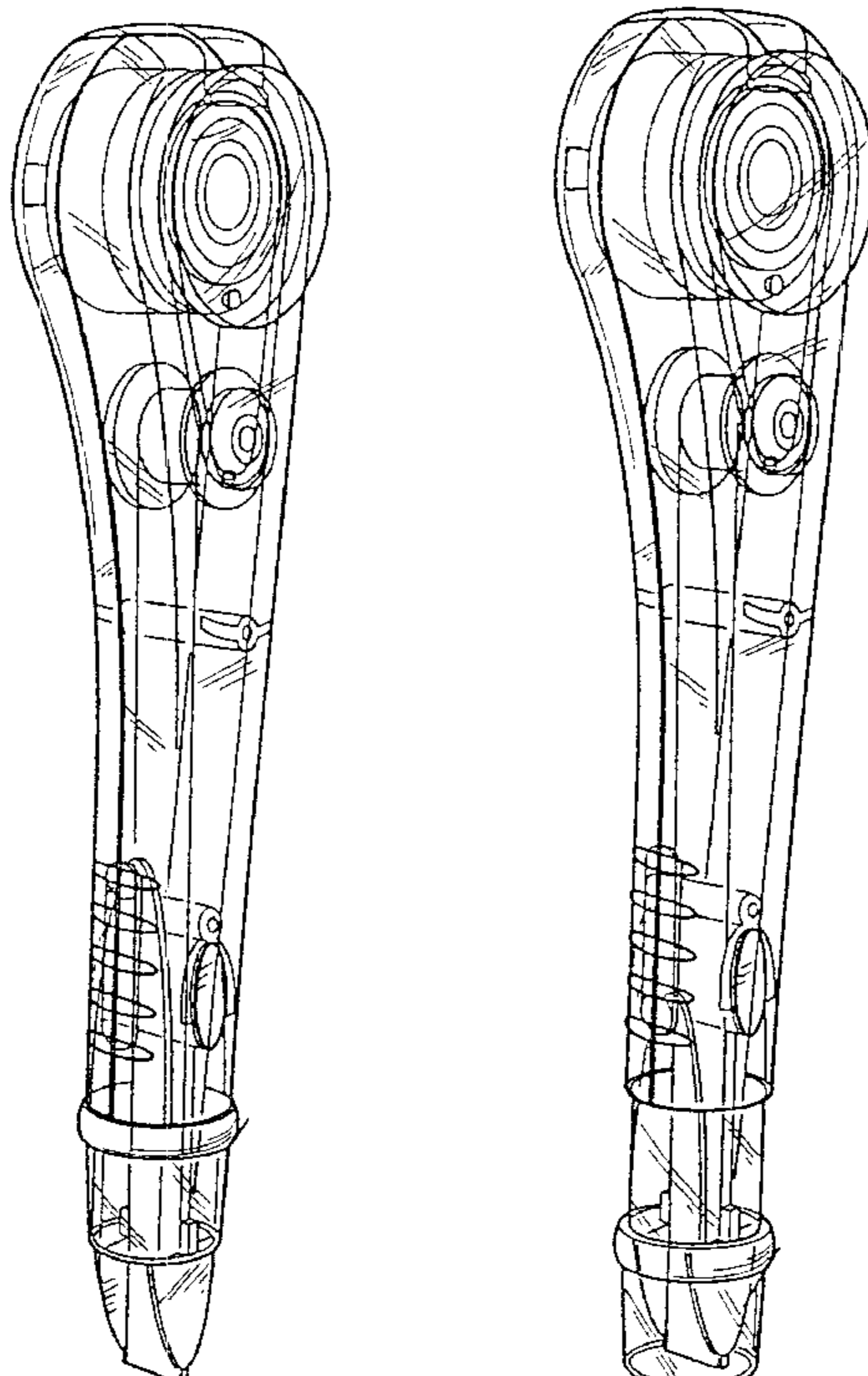


Fig. 2

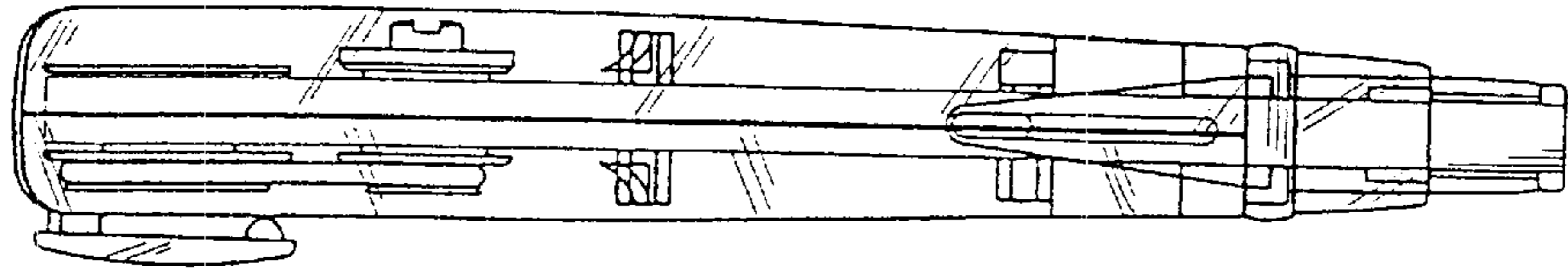


Fig. 1

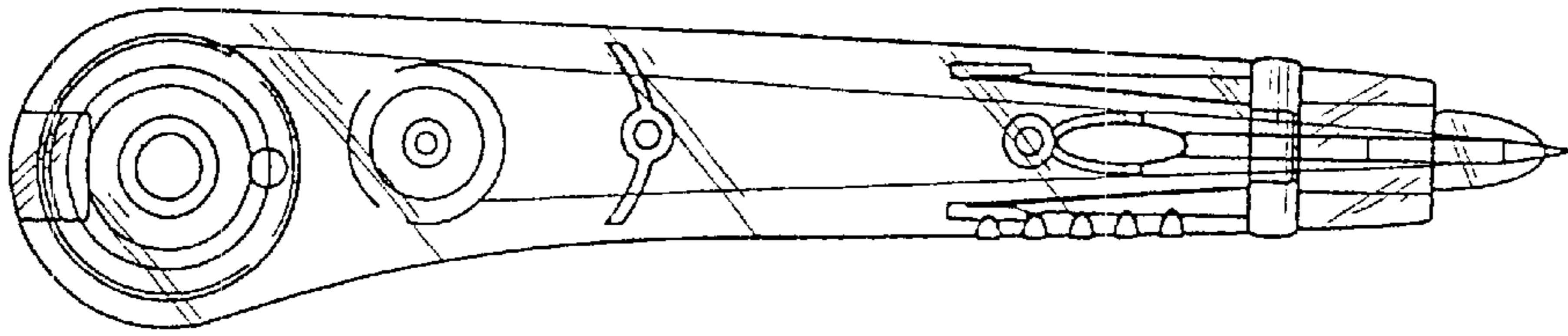


Fig. 3

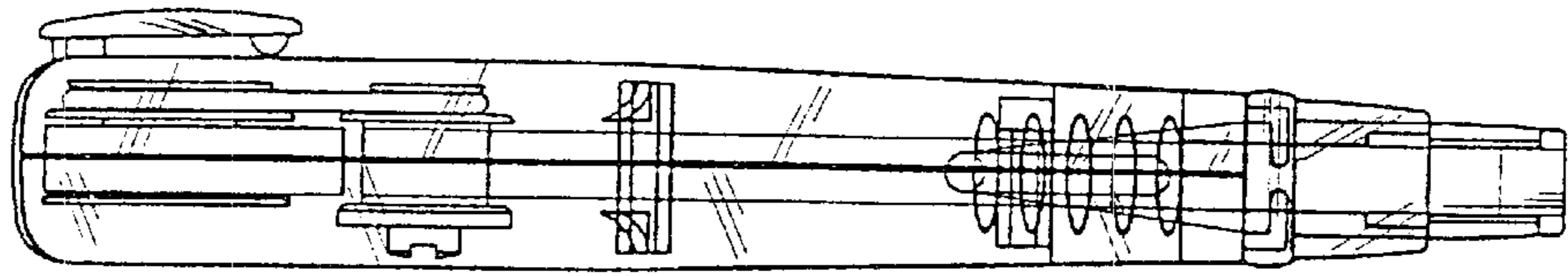


Fig. 4

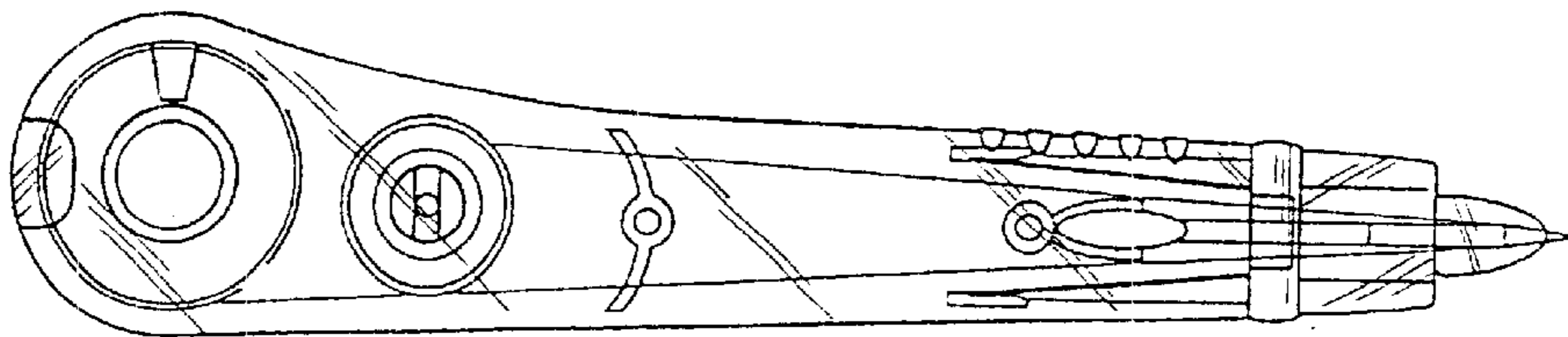


Fig. 5

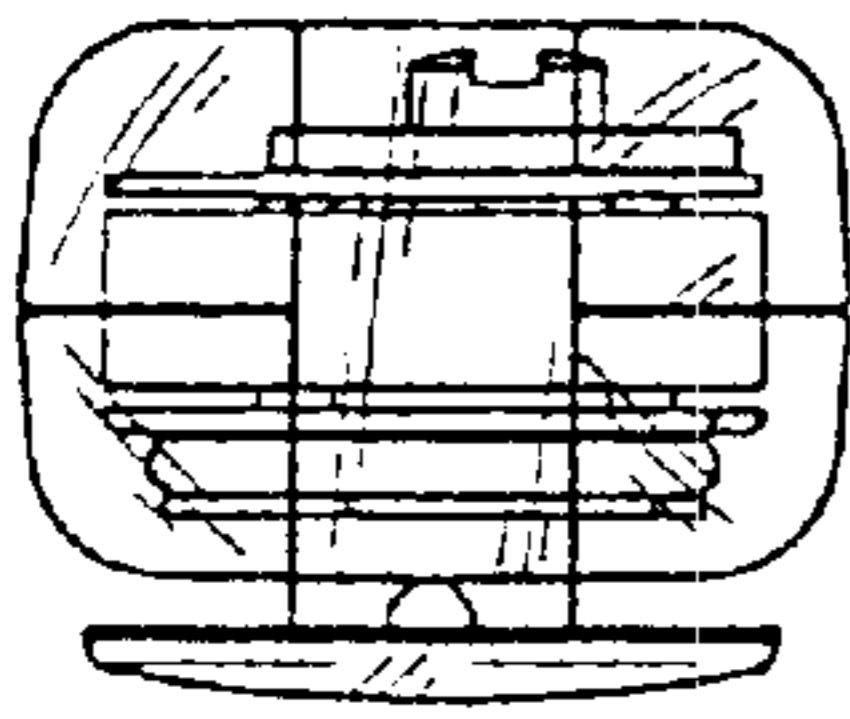


Fig. 7

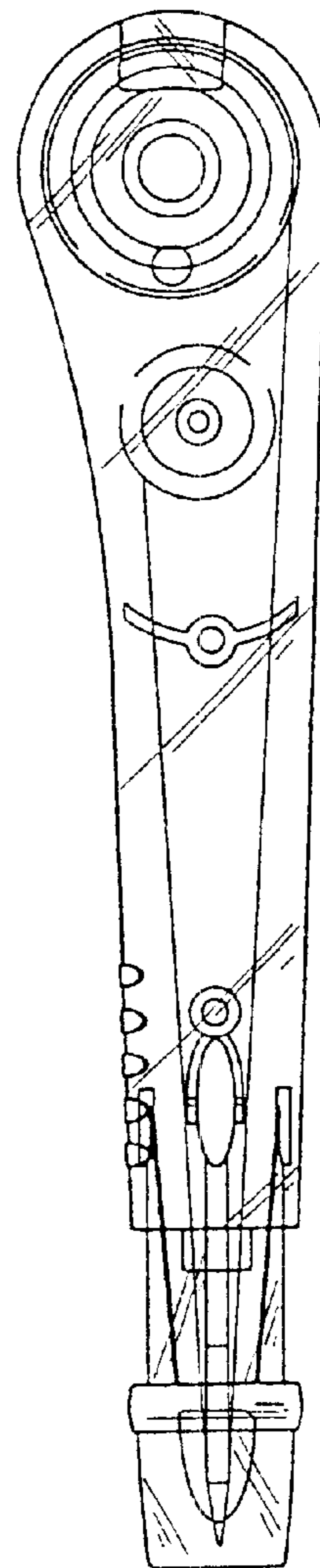


Fig. 6

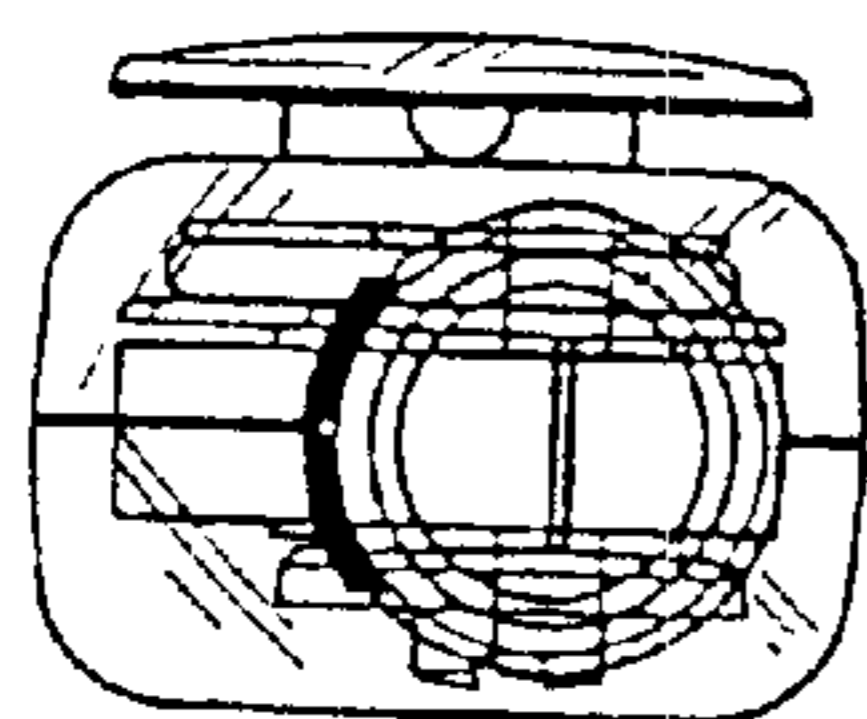


Fig. 8

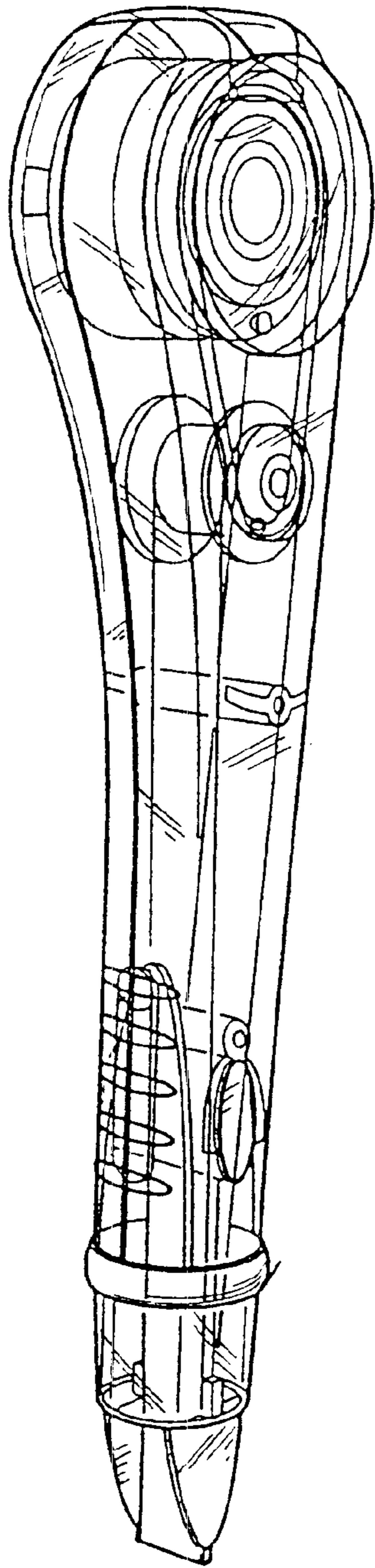


Fig. 9

