



US00D476367S

(12) **United States Design Patent**
Heckmann, Jr.

(10) **Patent No.:** **US D476,367 S**

(45) **Date of Patent:** **** Jun. 24, 2003**

(54) **KEYBOARD TRAINING DEVICE**

5,790,053 A 8/1998 Chang
5,938,353 A 8/1999 Butler

(76) Inventor: **Bernard E. Heckmann, Jr.**, P.O. Box
19818, Reno, NV (US) 89511

* cited by examiner

(**) Term: **14 Years**

Primary Examiner—Martie K. Holtje
(74) *Attorney, Agent, or Firm*—Jones, Waldo, Holbrook &
McDonough; Michael W. Starkweather; Brent T. Winder

(21) Appl. No.: **29/151,177**

(22) Filed: **Oct. 19, 2001**

(57) **CLAIM**

(51) **LOC (7) Cl.** **19-07**

The ornamental design for a keyboard training device, as shown and described.

(52) **U.S. Cl.** **D19/59; D18/12**

(58) **Field of Search** D19/59, 60, 62;
D18/12; 434/227, 228, 229, 230, 231, 232,
233; 400/100, 472, 486, 487, 489, 715

DESCRIPTION

(56) **References Cited**

U.S. PATENT DOCUMENTS

502,685 A	*	8/1893	Terry	400/715
918,283 A		4/1909	Chrisman	
1,328,818 A		1/1920	Butler et al.	
1,377,070 A		5/1921	Helguera	
1,560,020 A	*	11/1925	Curley	434/227
1,572,385 A		2/1926	Ellsworth	
1,687,904 A		10/1928	Larson et al.	
2,491,332 A	*	12/1949	Potter	400/715
2,800,727 A	*	7/1957	Potter	434/227
3,161,967 A		12/1964	Siegel et al.	
3,229,800 A		1/1966	Krag	
D242,877 S		12/1976	Bologna	
4,075,465 A		2/1978	Funk et al.	
D300,040 S		2/1989	Dermody	
4,902,231 A		2/1990	Freer	
5,286,125 A		2/1994	DiGiosia	
5,419,704 A		5/1995	North	
5,626,429 A		5/1997	Choate	
5,709,550 A		1/1998	Devine	
D395,450 S		6/1998	Drumm et al.	

A portion of the disclosure of this patent document contains material to which a claim for copyright is made. The copyright owner has no objection to the facsimile reproduction by anyone of the patent document or the patent disclosure, as it appears in the Patent and Trademark Office patent files or records, but reserves all other copyrights whatsoever. FIG. 1 is an oblique elevational perspective view of a keyboard training device showing my new design, the keyboard depicted by means of broken lines being shown for illustrative purposes only and forming no part of the claimed design. FIG. 2 is a front view of the keyboard training device in FIG. 1. FIG. 3 is a side view of the keyboard training device in FIG. 1. FIG. 4 is a top plan view of the keyboard training device. FIG. 5 is a sectional view taken along line 5—5 in FIG. 4. FIG. 6 is a rear view of the keyboard training device. FIG. 7 is a top plan view of another embodiment of a keyboard training device; and, FIG. 8 is a sectional view of the keyboard training device in FIG. 7, taken along line 8—8.

1 Claim, 3 Drawing Sheets

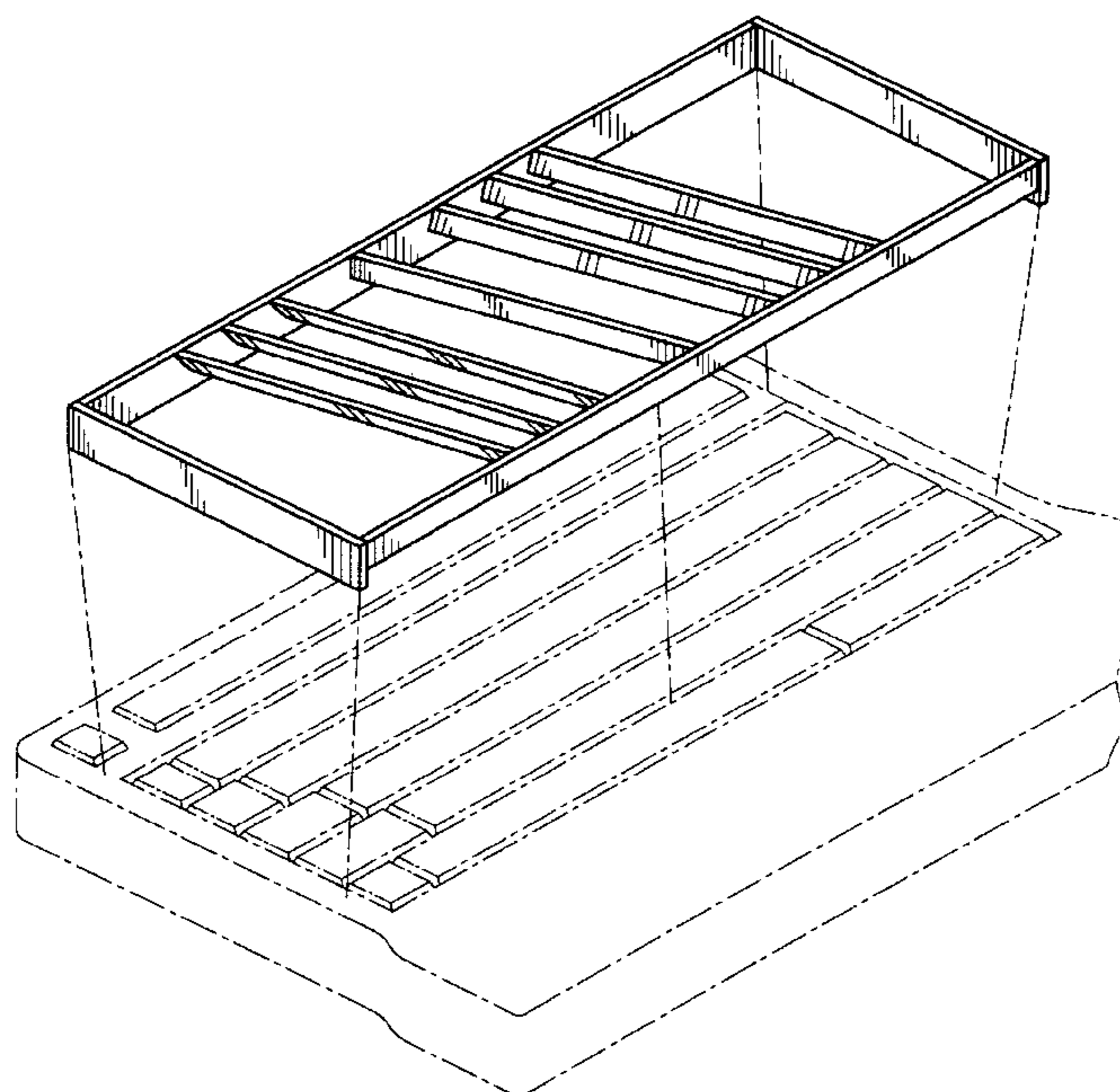


FIG. 1

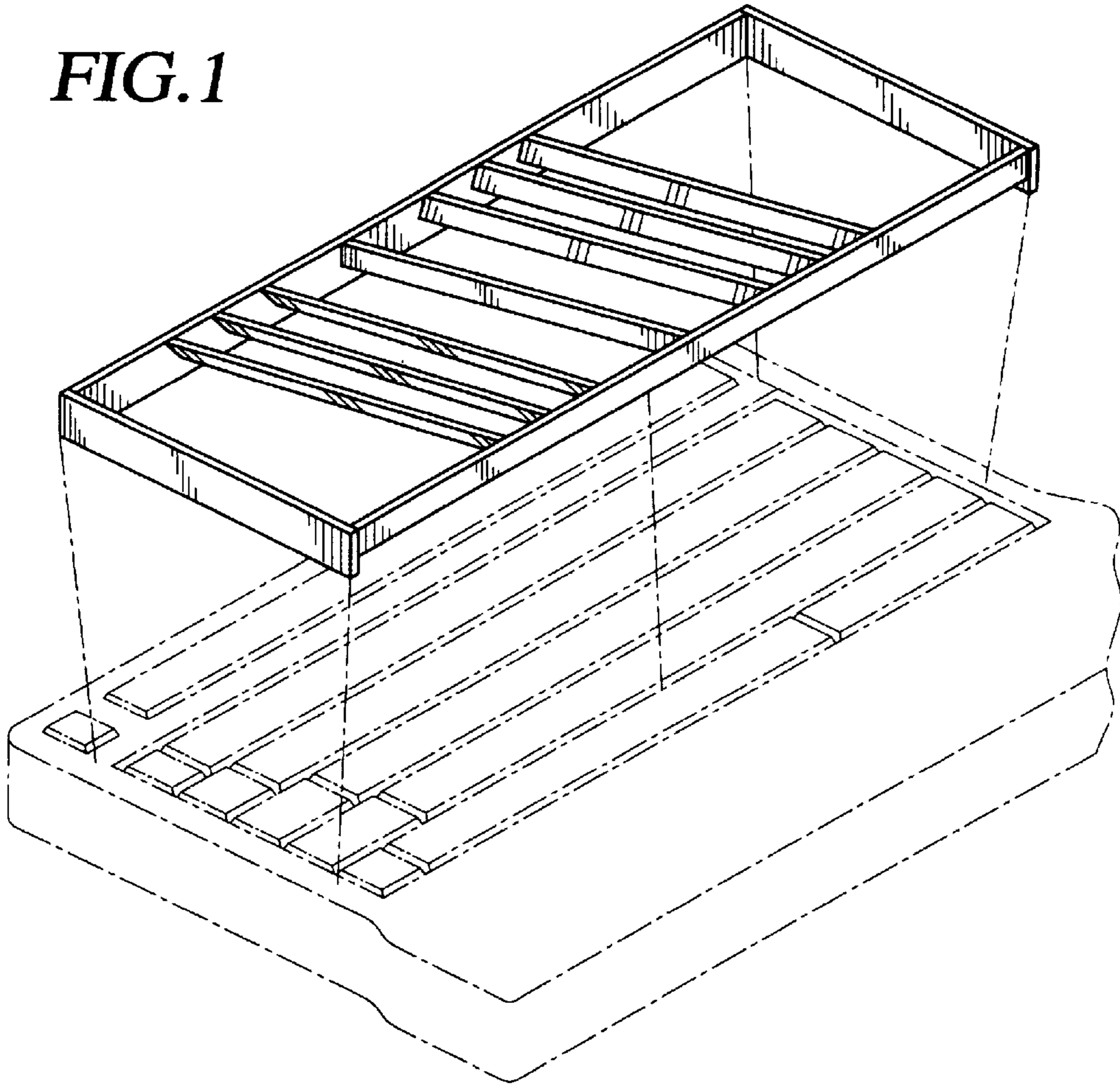


FIG. 2

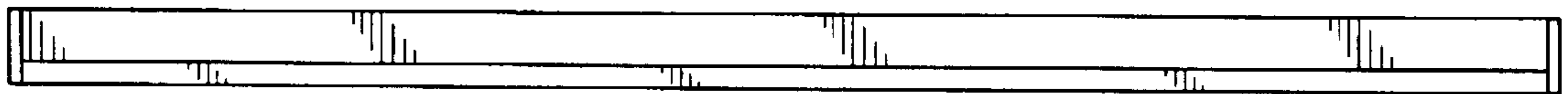


FIG. 3

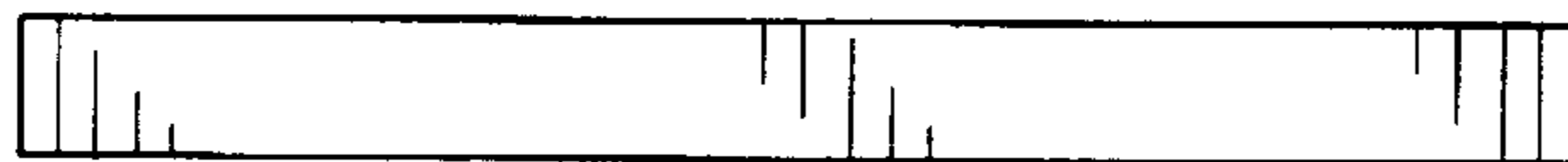


FIG.4

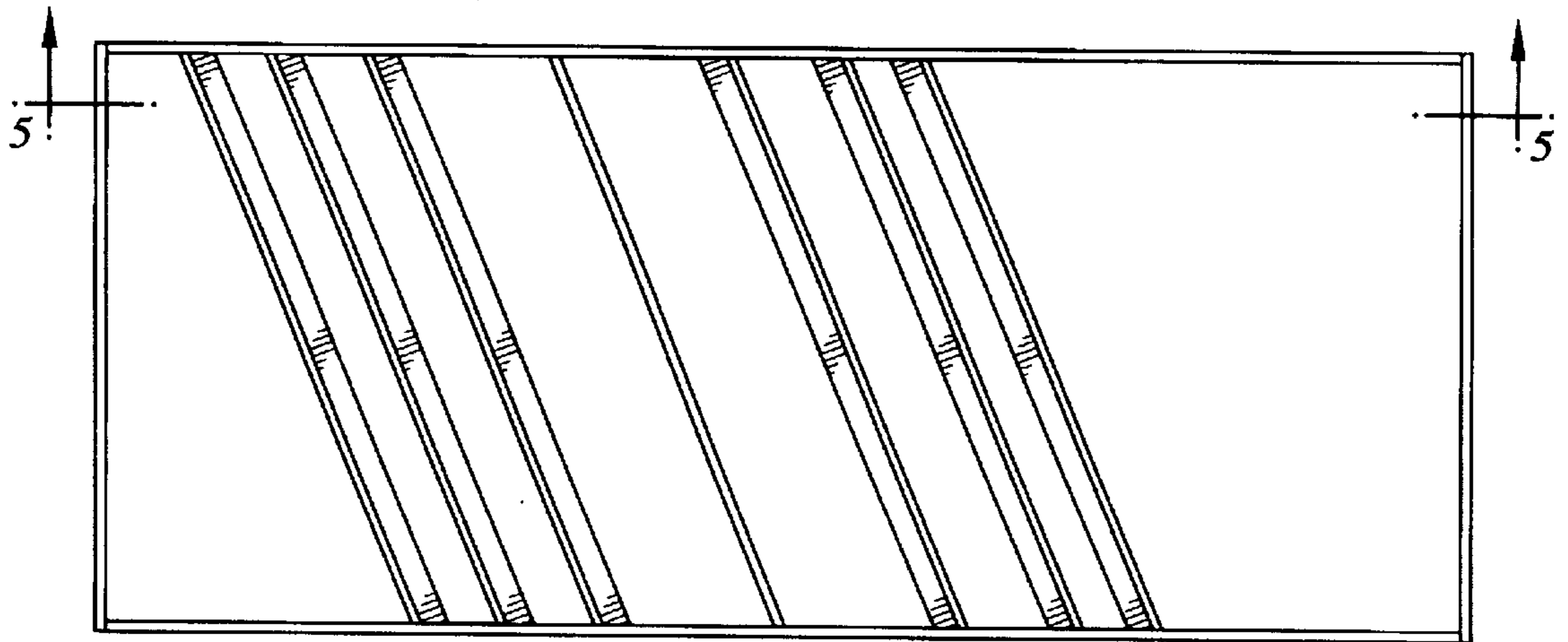


FIG.5



FIG.6



FIG. 7

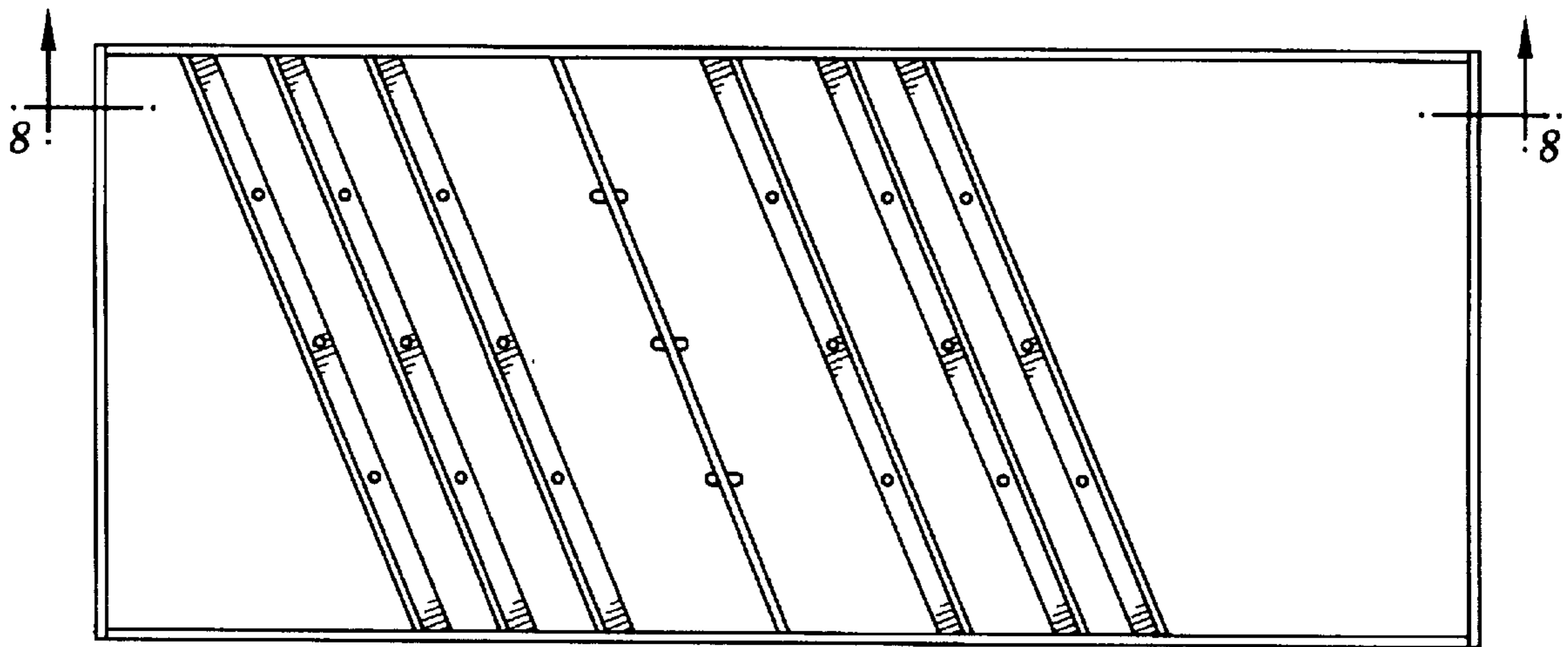


FIG. 8

