



US00D476360S

(12) **United States Design Patent**
Kawamura et al.

(10) **Patent No.: US D476,360 S**

(45) **Date of Patent: ** *Jun. 24, 2003**

(54) **INK TANK HOLDER WITH PRINTING HEAD FOR PRINTER**

(75) Inventors: **Shogo Kawamura**, Numazu (JP);
Michinari Mizutani, Sagamihara (JP)

(73) Assignee: **Canon Kabushiki Kaisha**, Tokyo (JP)

(*) Notice: This patent is subject to a terminal disclaimer.

(**) Term: **14 Years**

(21) Appl. No.: **29/153,855**

(22) Filed: **Jan. 15, 2002**

(30) **Foreign Application Priority Data**

Jul. 18, 2001 (JP) 2001-020946

(51) **LOC (7) Cl.** **18-02**

(52) **U.S. Cl.** **D18/56; 347/86**

(58) **Field of Search** **D18/56, 43; 347/86, 347/87**

(56) **References Cited**

U.S. PATENT DOCUMENTS

5,392,063 A * 2/1995 Rhoads 347/86

D425,556 S * 5/2000 Inoue et al. D18/56

D425,933 S * 5/2000 Inoue et al. D18/56
D438,242 S * 2/2001 Chiba et al. D18/56
D438,243 S * 2/2001 Chiba et al. D18/56
D438,561 S * 3/2001 Chiba et al. D18/56
D438,898 S * 3/2001 Chiba et al. D18/56
D443,892 S * 6/2001 Sekine et al. D18/56
D451,541 S * 12/2001 Hirose et al. D18/56

* cited by examiner

Primary Examiner—Cathy Anne MacCormac

(74) *Attorney, Agent, or Firm*—Fitzpatrick, Cella, Harper & Scinto

(57) **CLAIM**

The ornamental design for an ink tank holder with printing head for printer, as shown and described.

DESCRIPTION

FIG. 1 is a front view of an ink tank holder with printing head for printer showing our new design;
FIG. 2 is a rear view thereof;
FIG. 3 is a top plan view thereof;
FIG. 4 is a bottom plan view thereof;
FIG. 5 is a left side view thereof;
FIG. 6 is a right side view thereof; and,
FIG. 7 is a perspective view thereof.

1 Claim, 5 Drawing Sheets

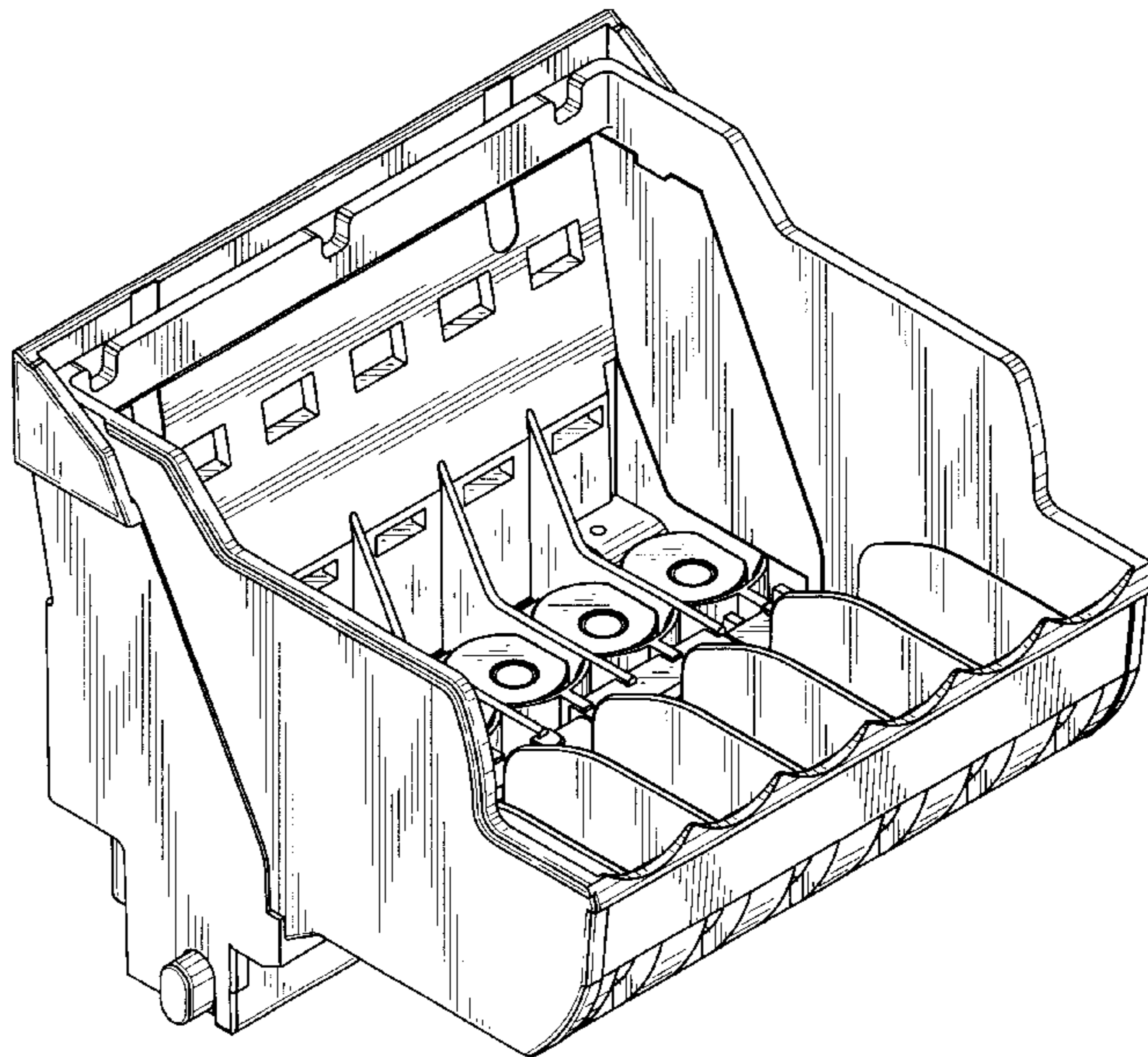
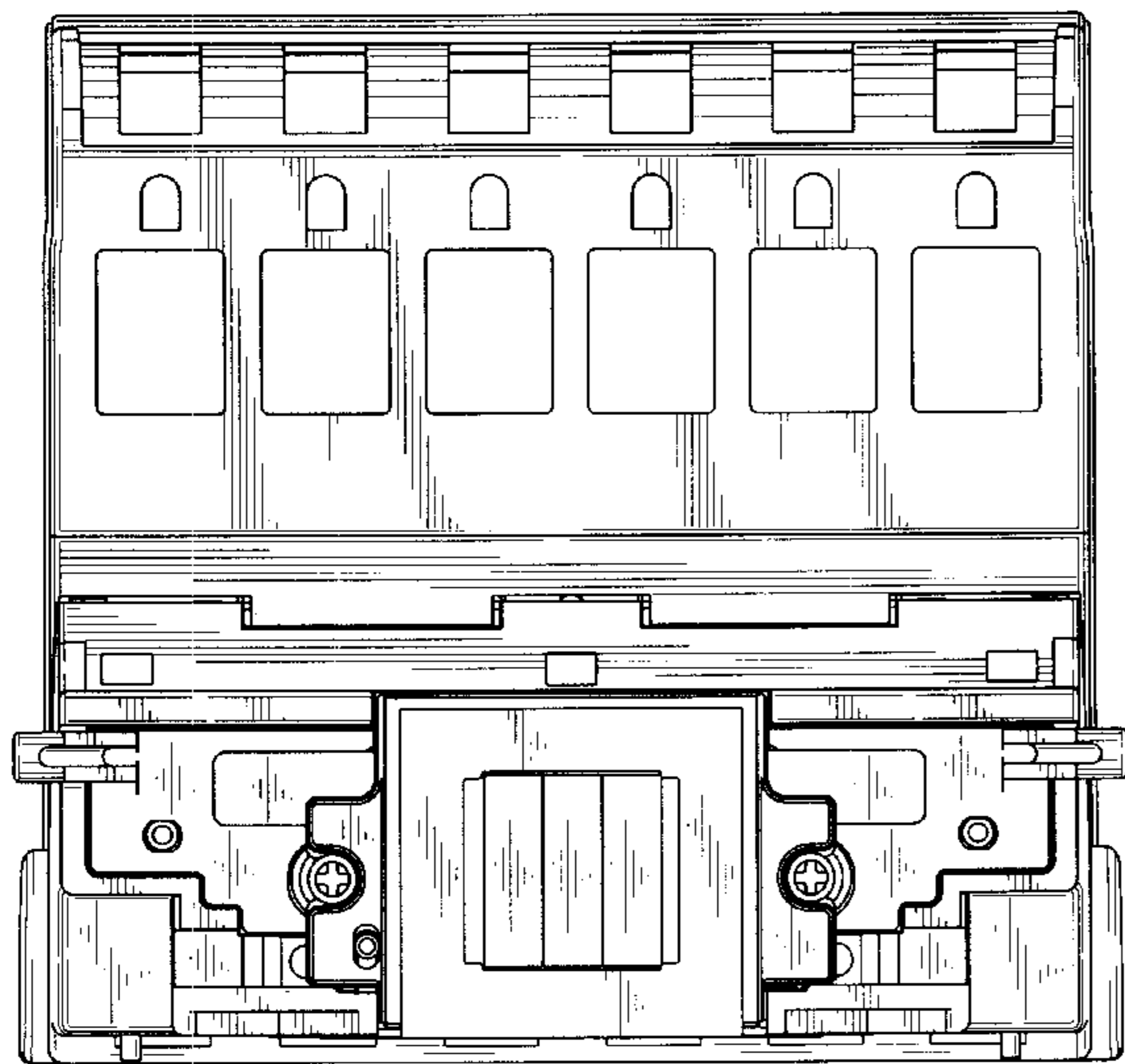


FIG. 1

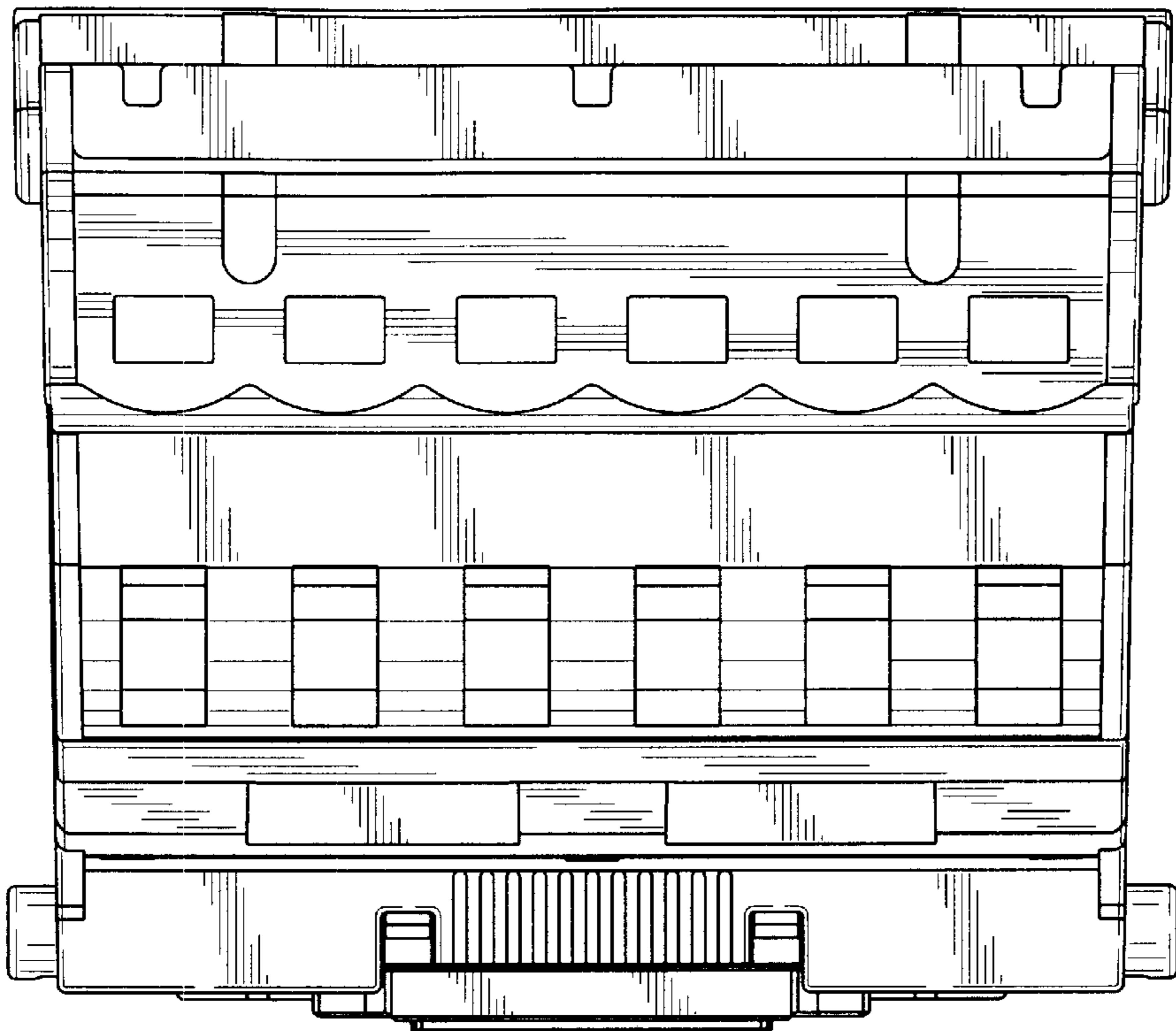


FIG. 2

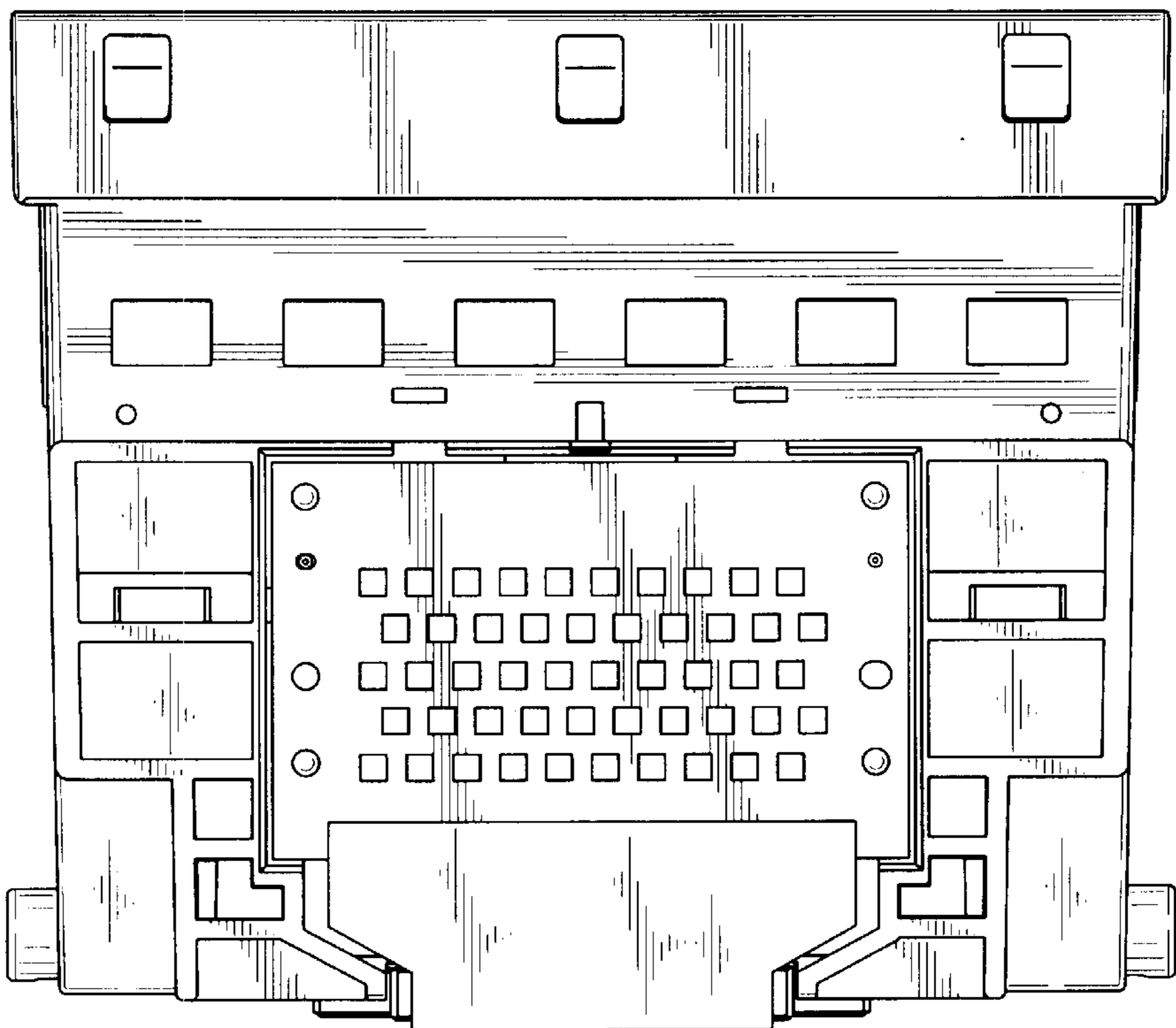


FIG. 3

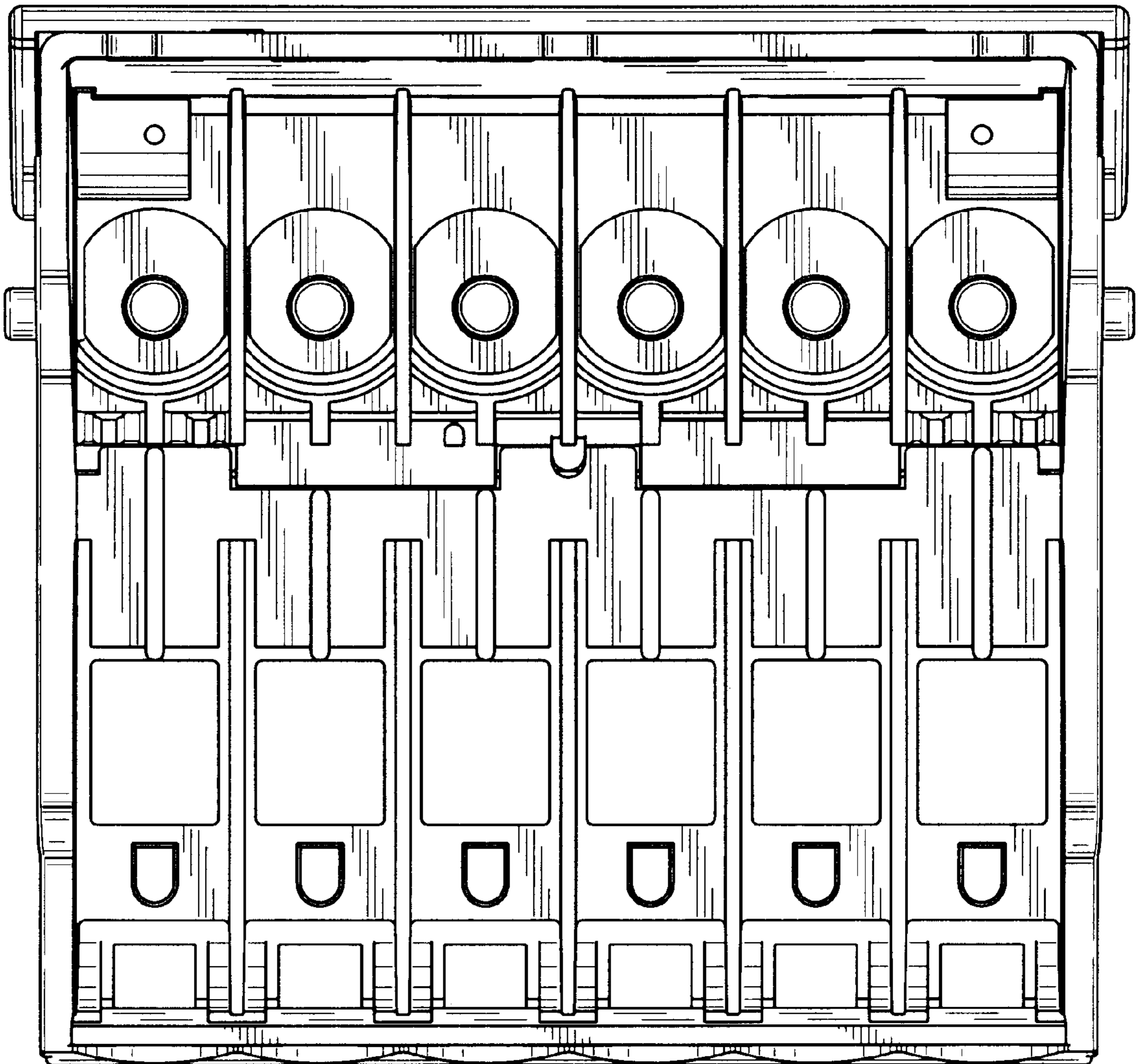


FIG. 4

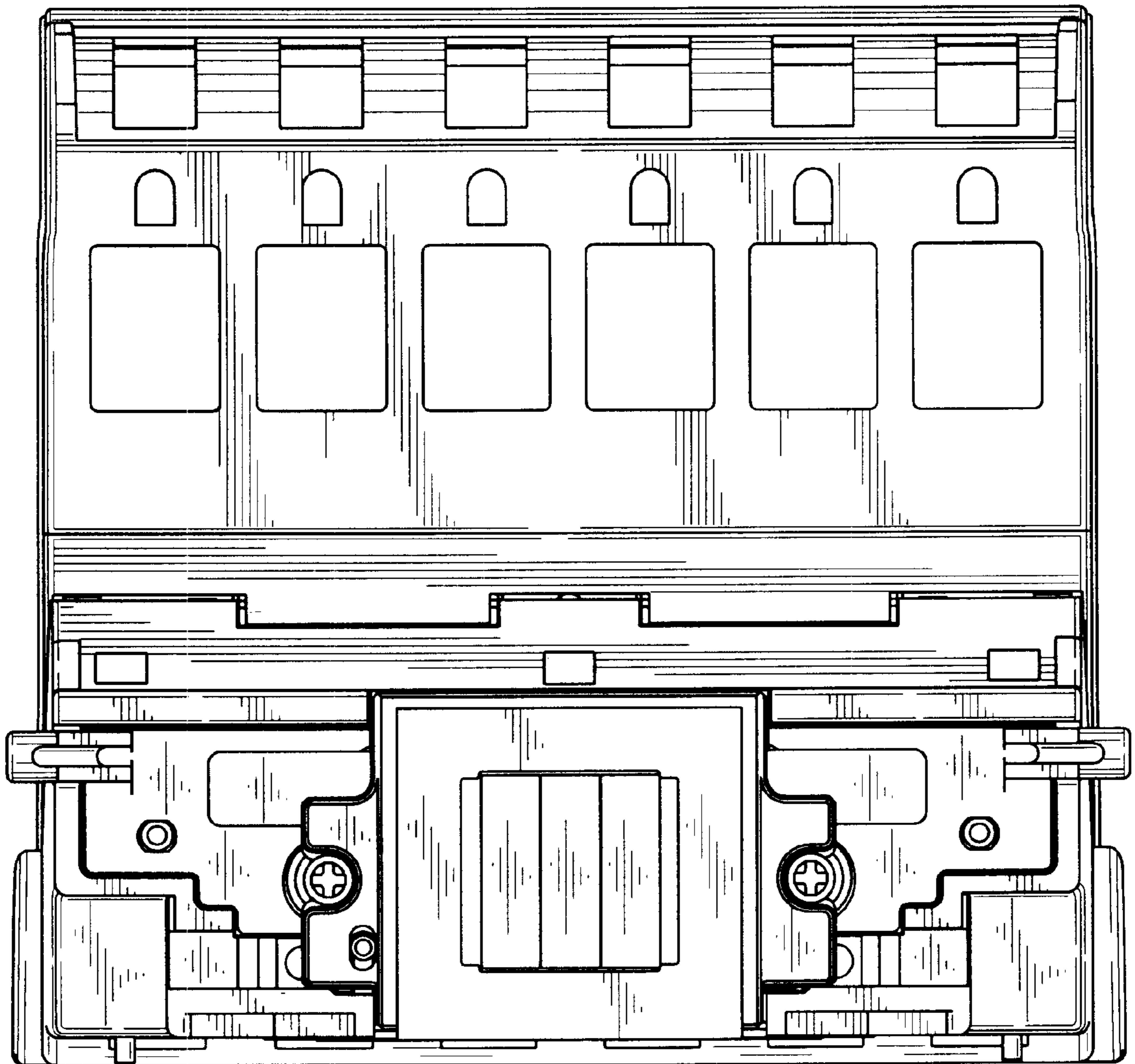


FIG. 5

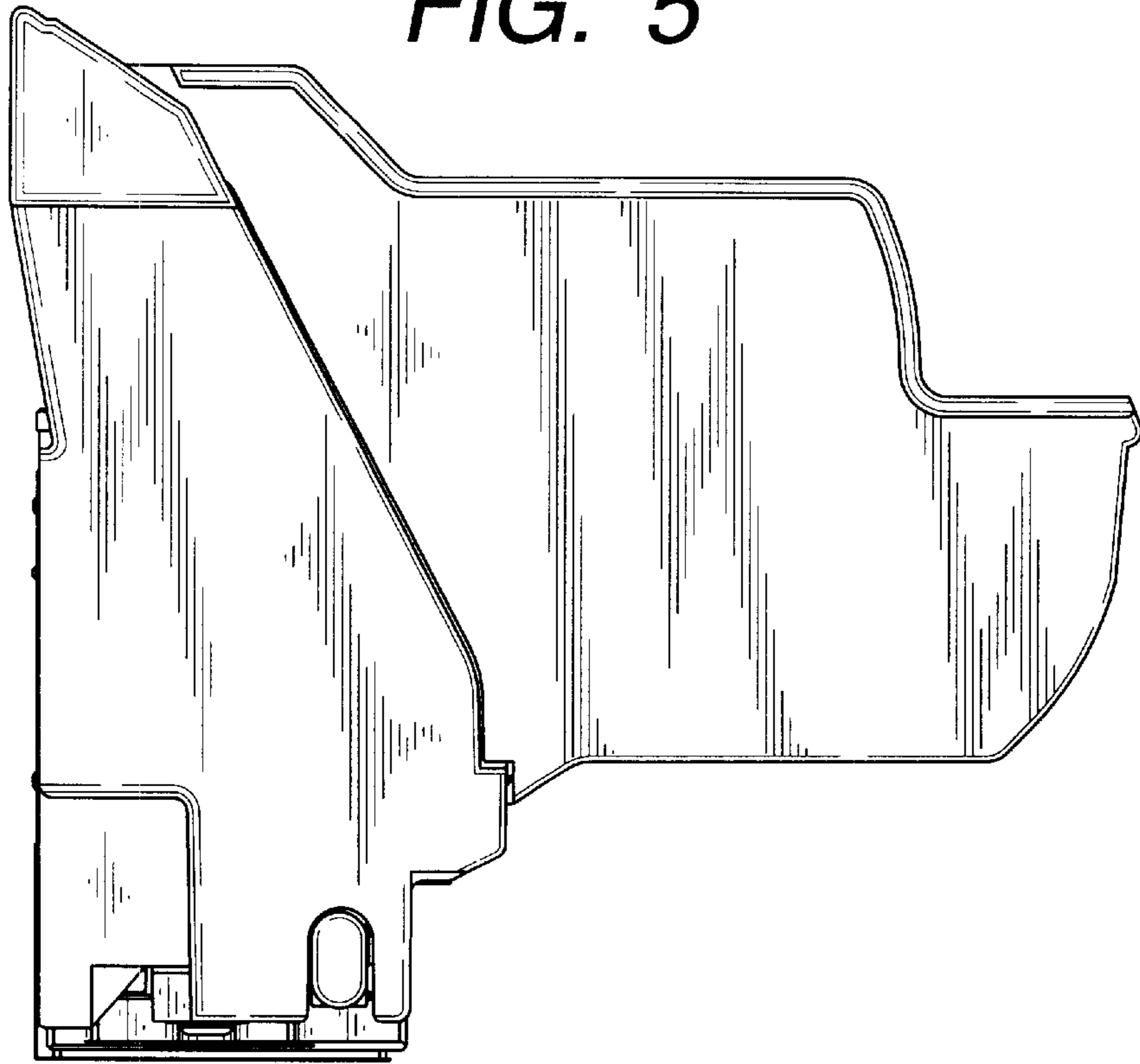


FIG. 6

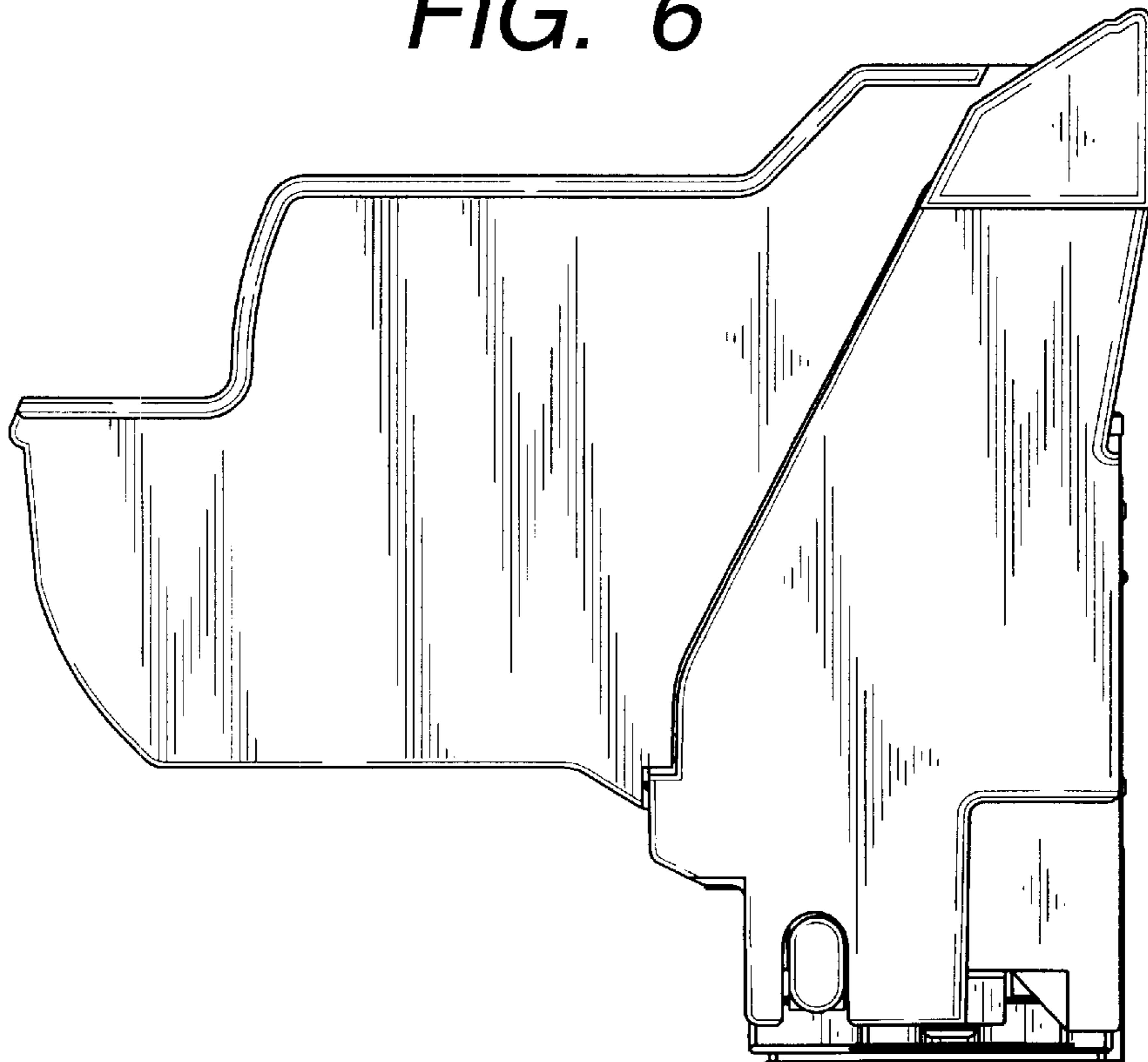


FIG. 7

