



US00D476359S

(12) **United States Design Patent**  
**Mittler**

(10) **Patent No.:** **US D476,359 S**  
(45) **Date of Patent:** **\*\* Jun. 24, 2003**

(54) **POINT-OF-SALE TERMINAL MOUNTING ADAPTER**

(75) Inventor: **Jon P. Mittler**, Roseville, CA (US)  
(73) Assignee: **Verifone, Inc.**, Santa Clara, CA (US)  
(\*\*) Term: **14 Years**

(21) Appl. No.: **29/160,042**  
(22) Filed: **Apr. 30, 2002**

(51) **LOC (7) Cl.** ..... **18-01**  
(52) **U.S. Cl.** ..... **D18/12; D14/433**  
(58) **Field of Search** ..... D18/4.1-4.6, 12,  
D18/56, 99; D14/142, 217, 251, 240, 433,  
434; 248/121, 188.1, 188.2, 205, 207; D19/32

(56) **References Cited**

**U.S. PATENT DOCUMENTS**

D422,018 S	*	3/2000	Brown et al.	.....	D19/32
D449,304 S	*	10/2001	Herath	.....	D14/433
D460,761 S	*	7/2002	Croley	.....	D14/434
D466,511 S	*	12/2002	Croley et al.	.....	D14/434

\* cited by examiner

*Primary Examiner*—Caron D. Veynar  
(74) *Attorney, Agent, or Firm*—Kolisch Hartwell, P.C.

(57) **CLAIM**

The ornamental design for a point-of-sale terminal mounting adapter, as shown and described.

**DESCRIPTION**

FIG. 1 is an isometric view of one embodiment of the present invention with the environment shown in broken lines forming no part of the claim;

FIG. 2 is a side elevation view of the embodiment of the invention shown in FIG. 1 with the environment shown in broken lines forming no part of the claim;

FIG. 3 is a second side elevation view of the embodiment of the invention shown in FIG. 1 with the environment shown in broken lines forming no part of the claim;

FIG. 4 is a topside plan view of the embodiment of the invention shown in FIG. 1 with the environment shown in broken lines forming no part of the claim;

FIG. 5 is a bottom-side plan view of the embodiment of the invention shown in FIG. 1 with the environment shown in broken lines forming no part of the claim;

FIG. 6 is an end elevation view of the embodiment of the invention shown in FIG. 1 with the environment shown in broken lines forming no part of the claim;

FIG. 7 is another end elevation view of the embodiment of the invention shown in FIG. 1 with the environment shown in broken lines forming no part of the claim;

FIG. 8 is an isometric view of another embodiment of the present invention;

FIG. 9 is a side elevation view of the second embodiment of the invention shown in FIG. 8;

FIG. 10 is a second side elevation view of the second embodiment of the invention shown in FIG. 8;

FIG. 11 is a topside plan view of the second embodiment of the invention shown in FIG. 8;

FIG. 12 is a bottom-side plan view of the second embodiment of the invention shown in FIG. 8;

FIG. 13 is an end elevation view of the second embodiment of the invention shown in FIG. 8; and,

FIG. 14 is another end elevation view of the second embodiment of the invention shown in FIG. 8.

**1 Claim, 4 Drawing Sheets**

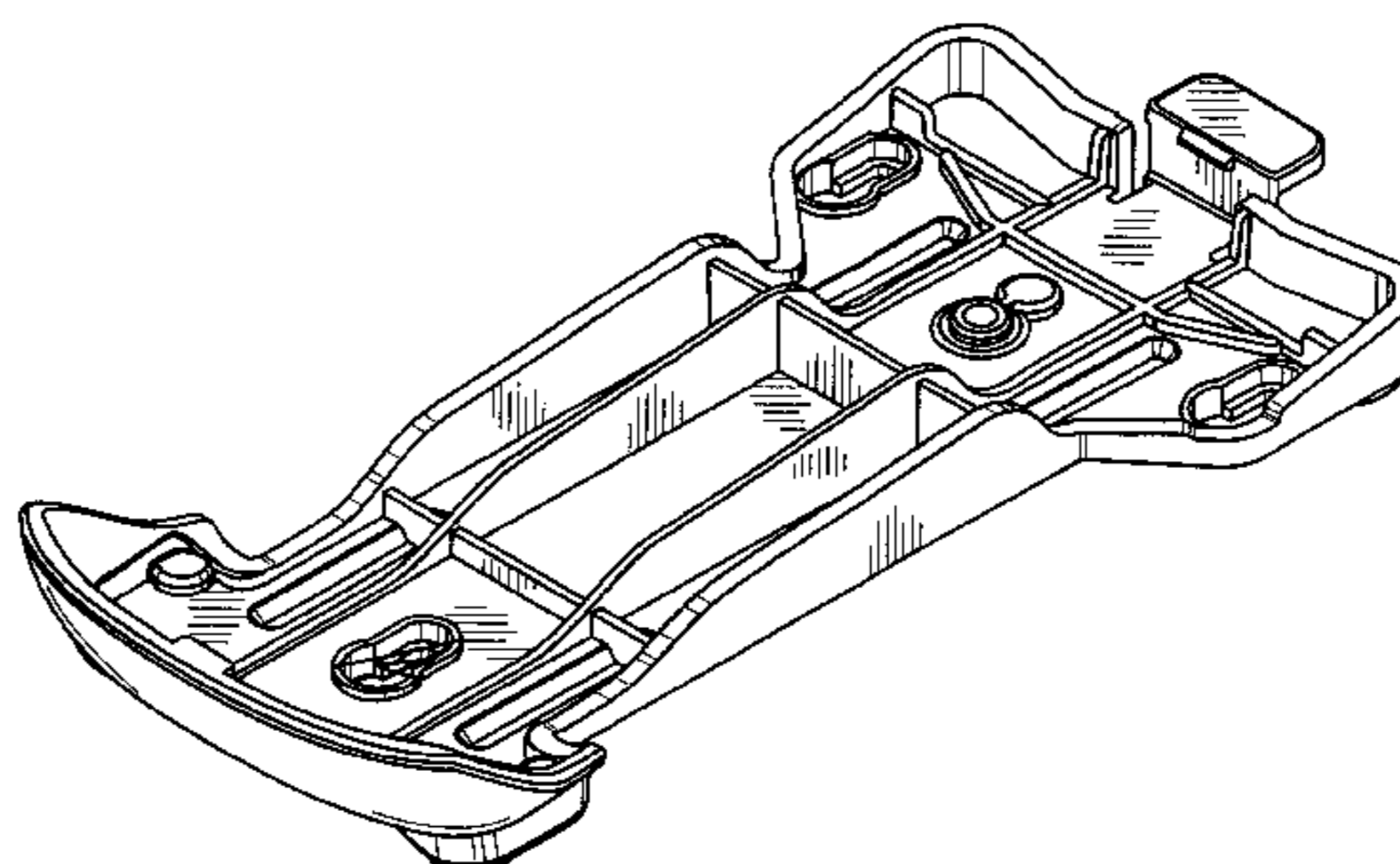
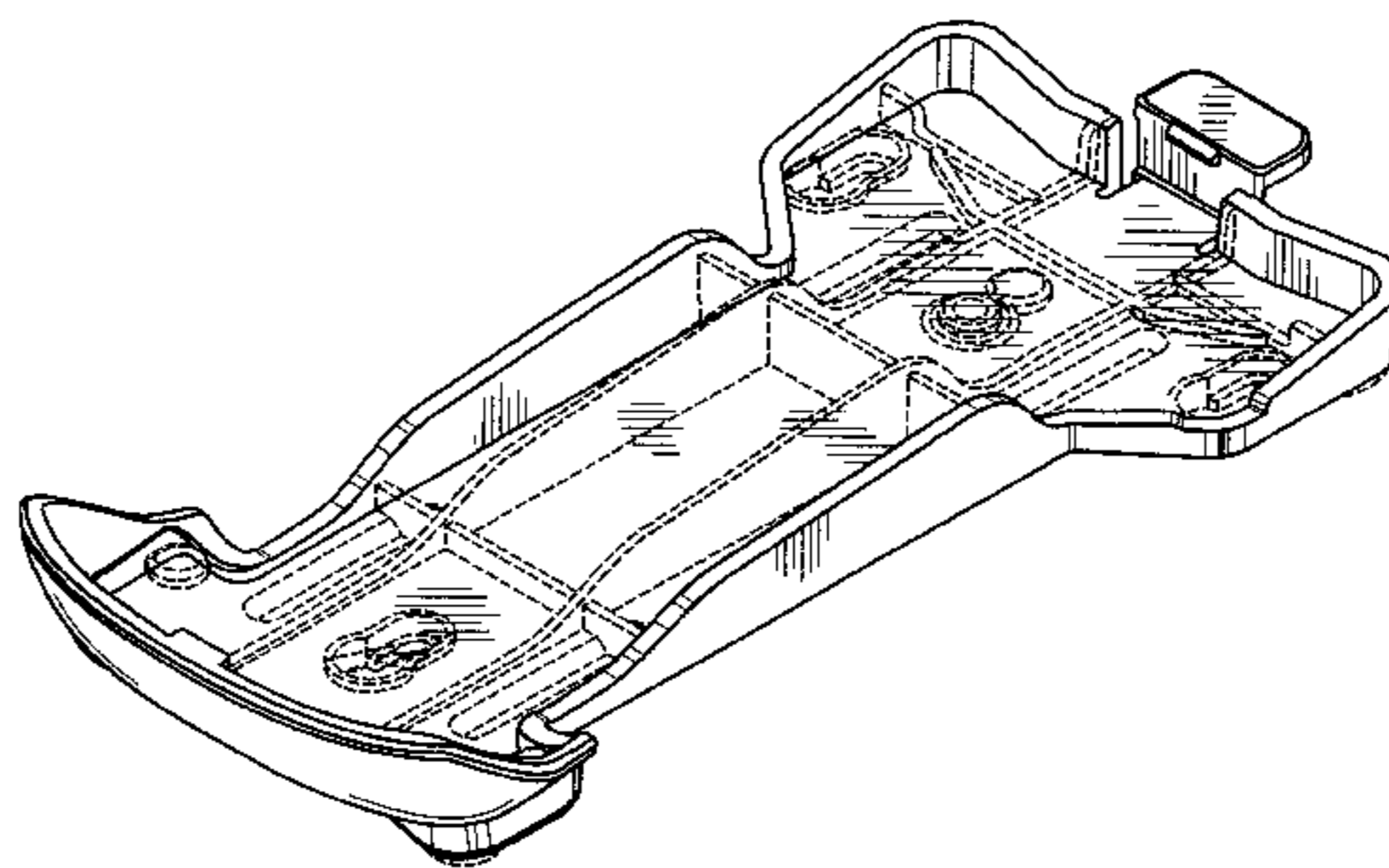


Fig. 1

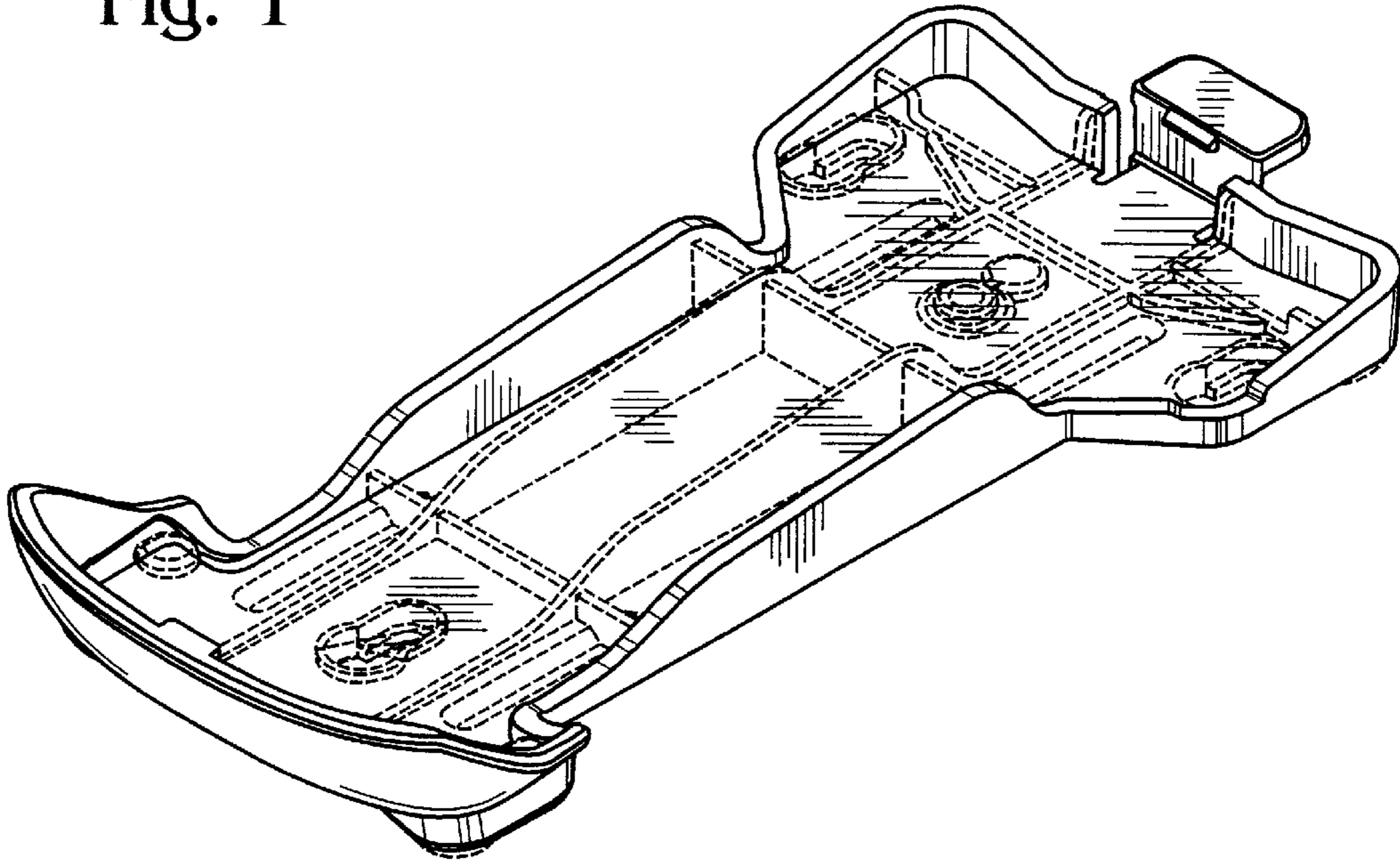


Fig. 2

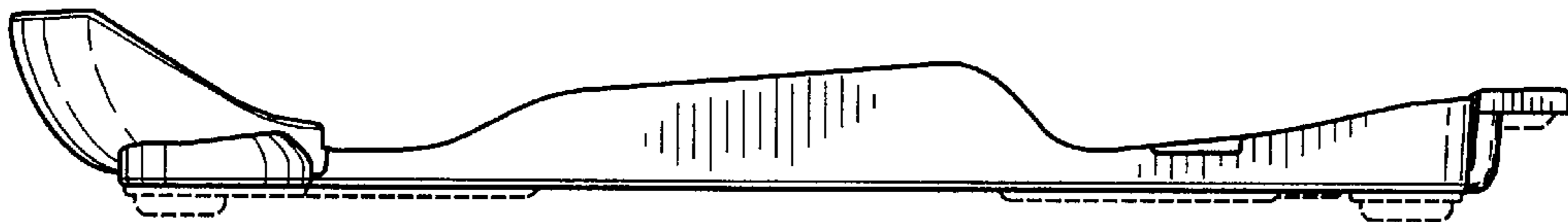


Fig. 3

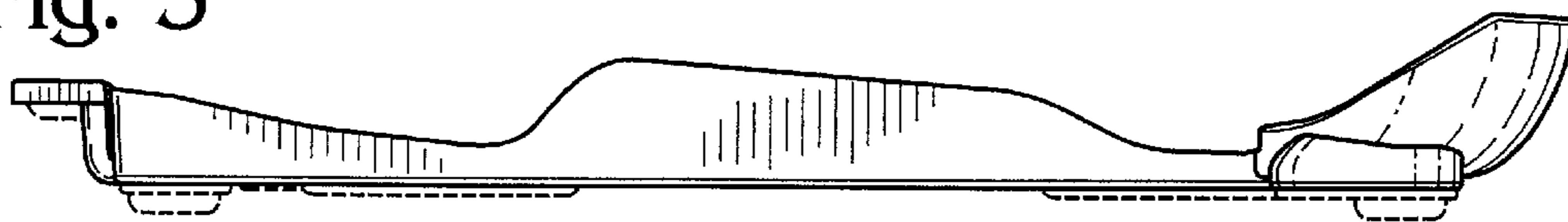


Fig. 4

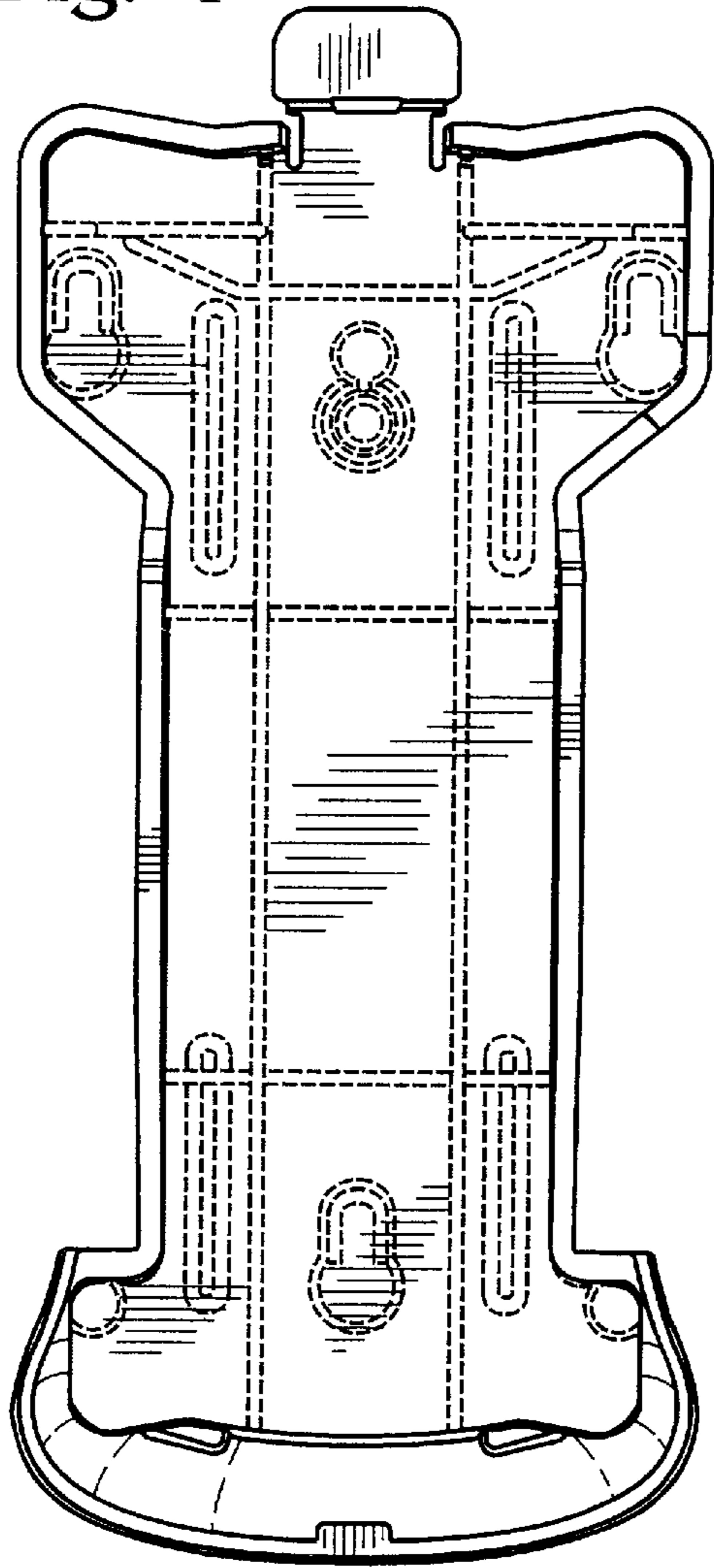


Fig. 5

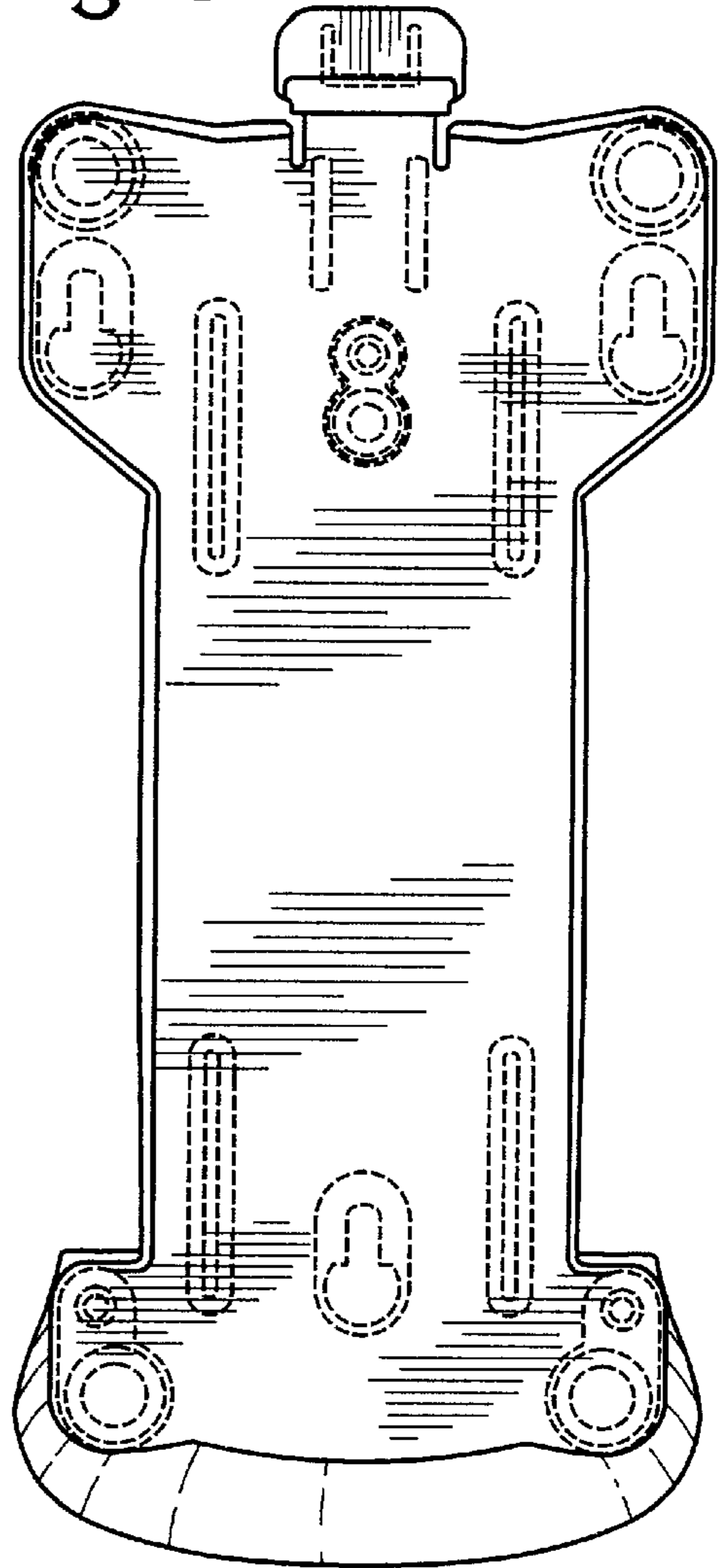


Fig. 6

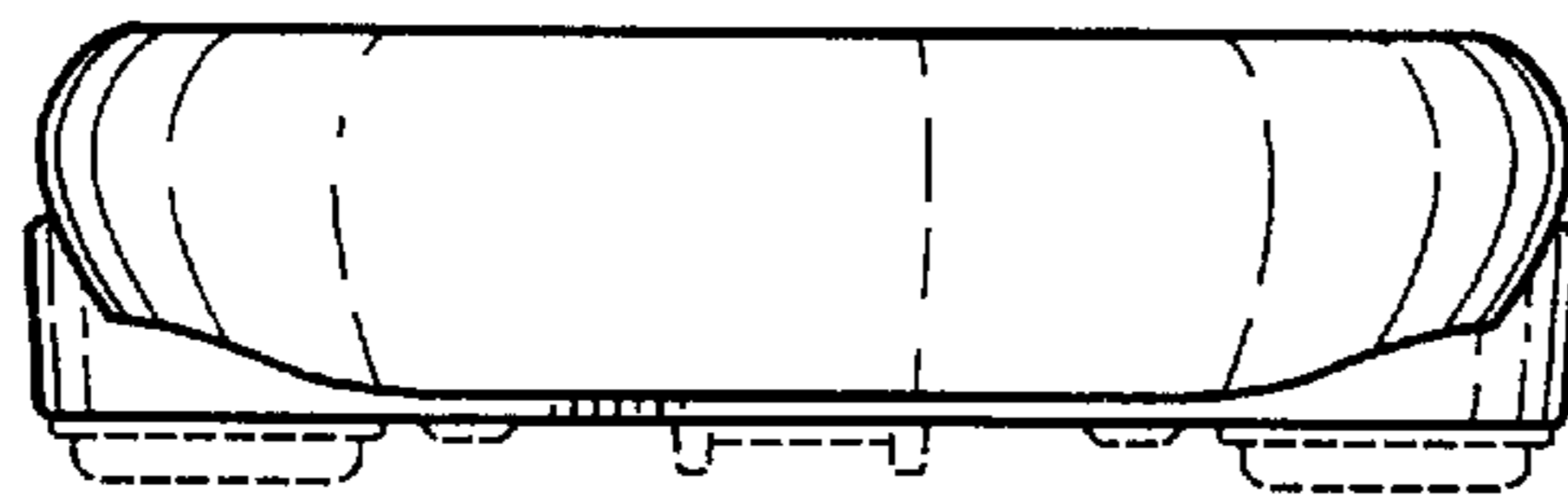


Fig. 7

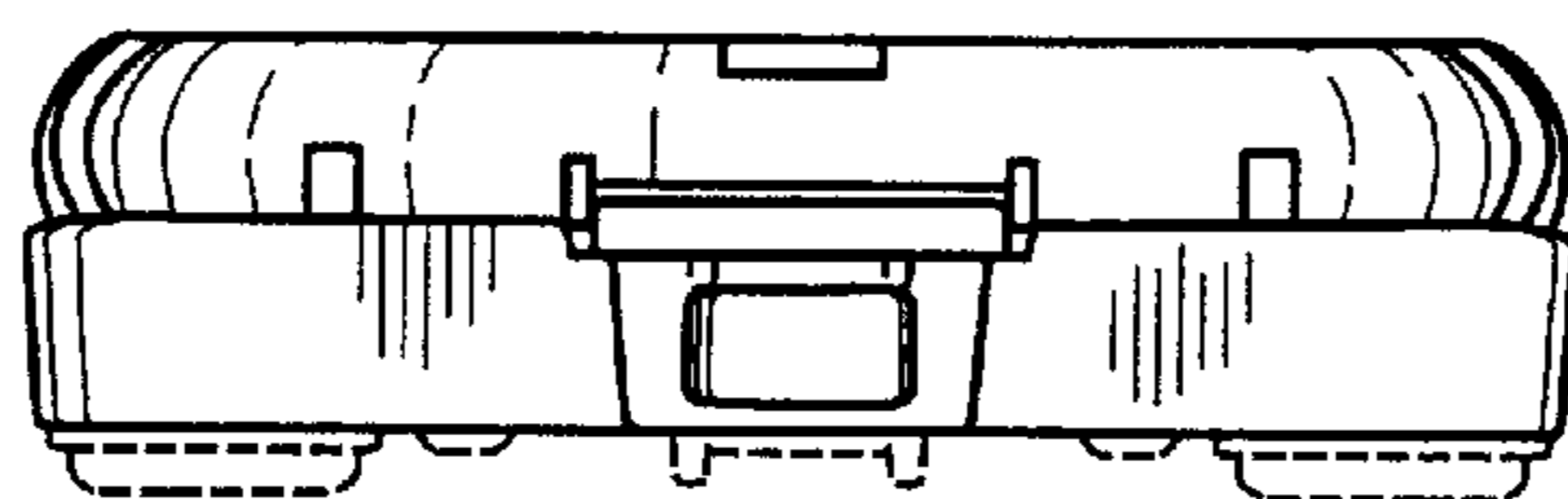


Fig. 8

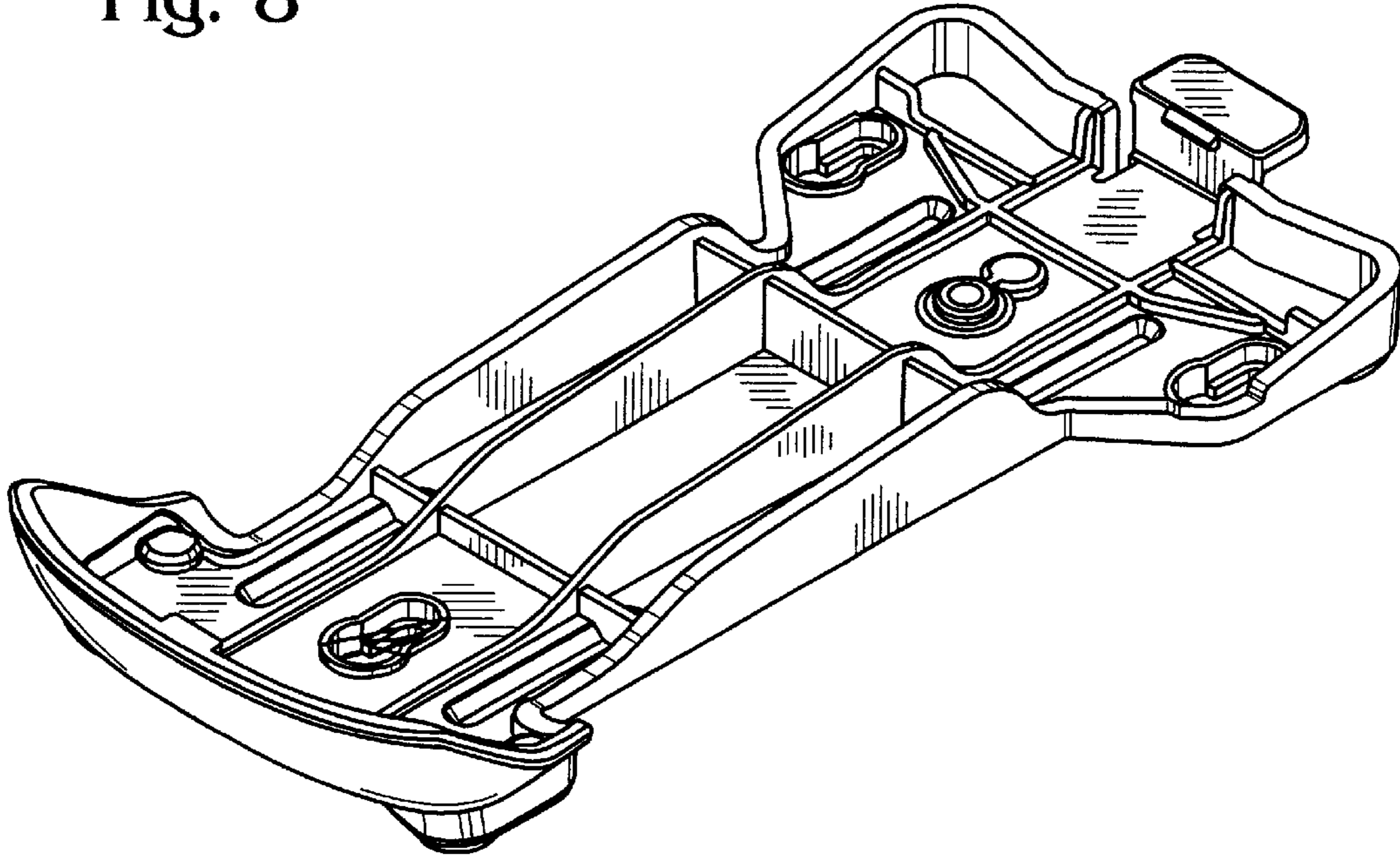


Fig. 9

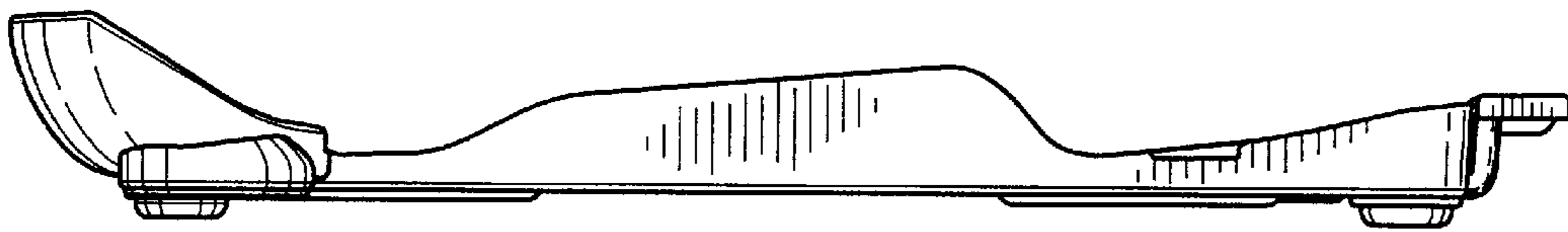


Fig. 10

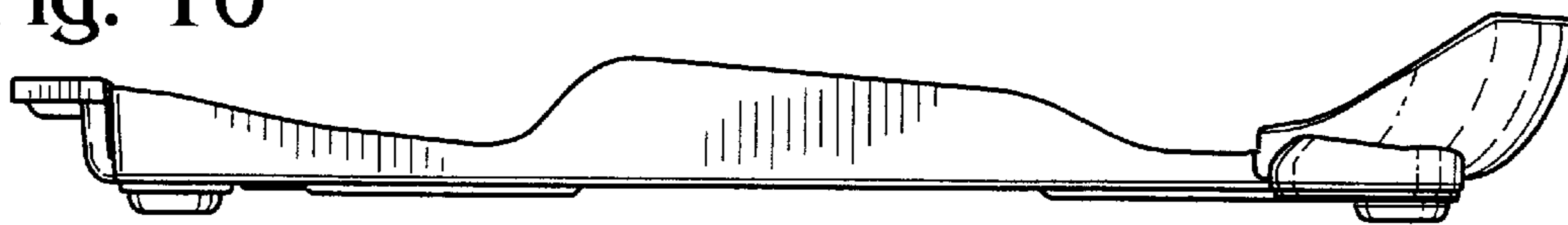


Fig. 11

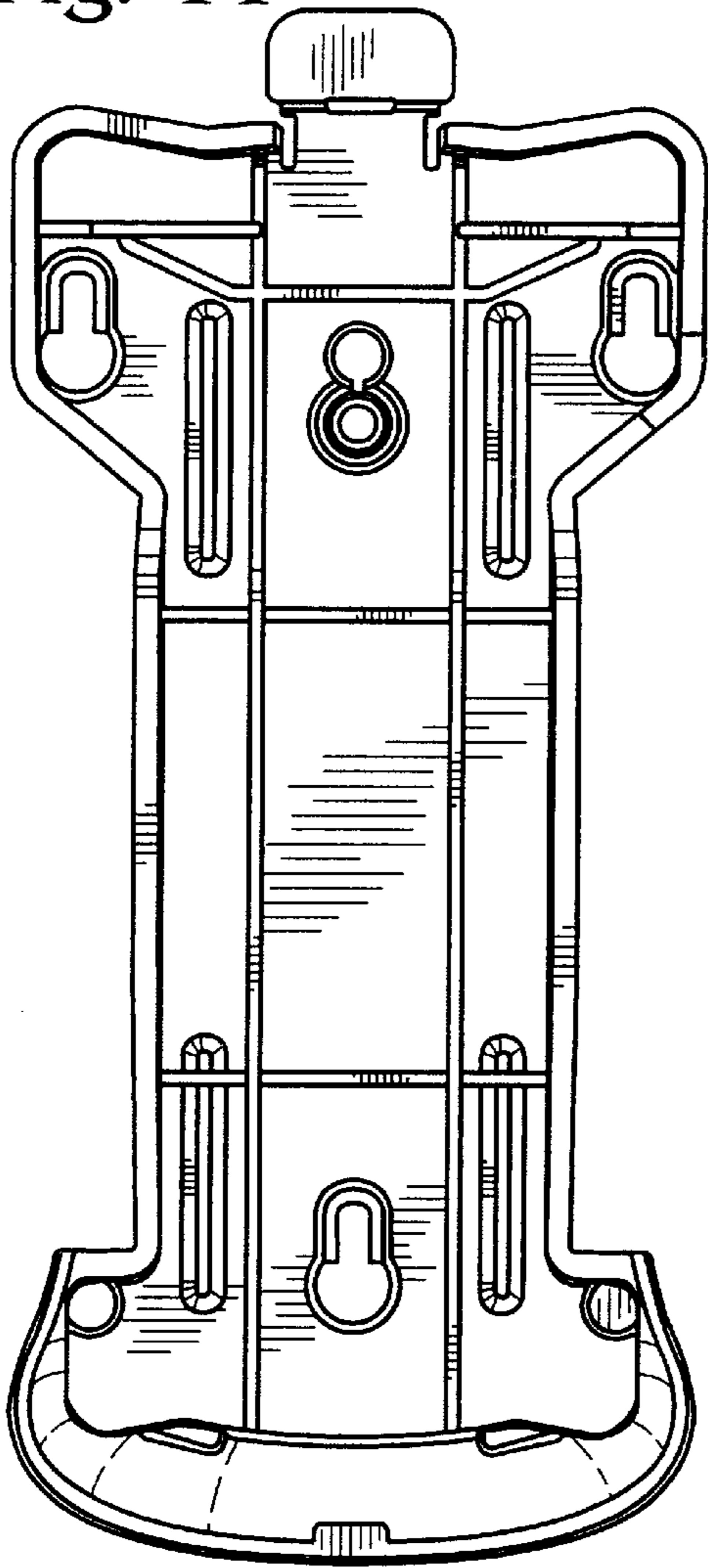


Fig. 12

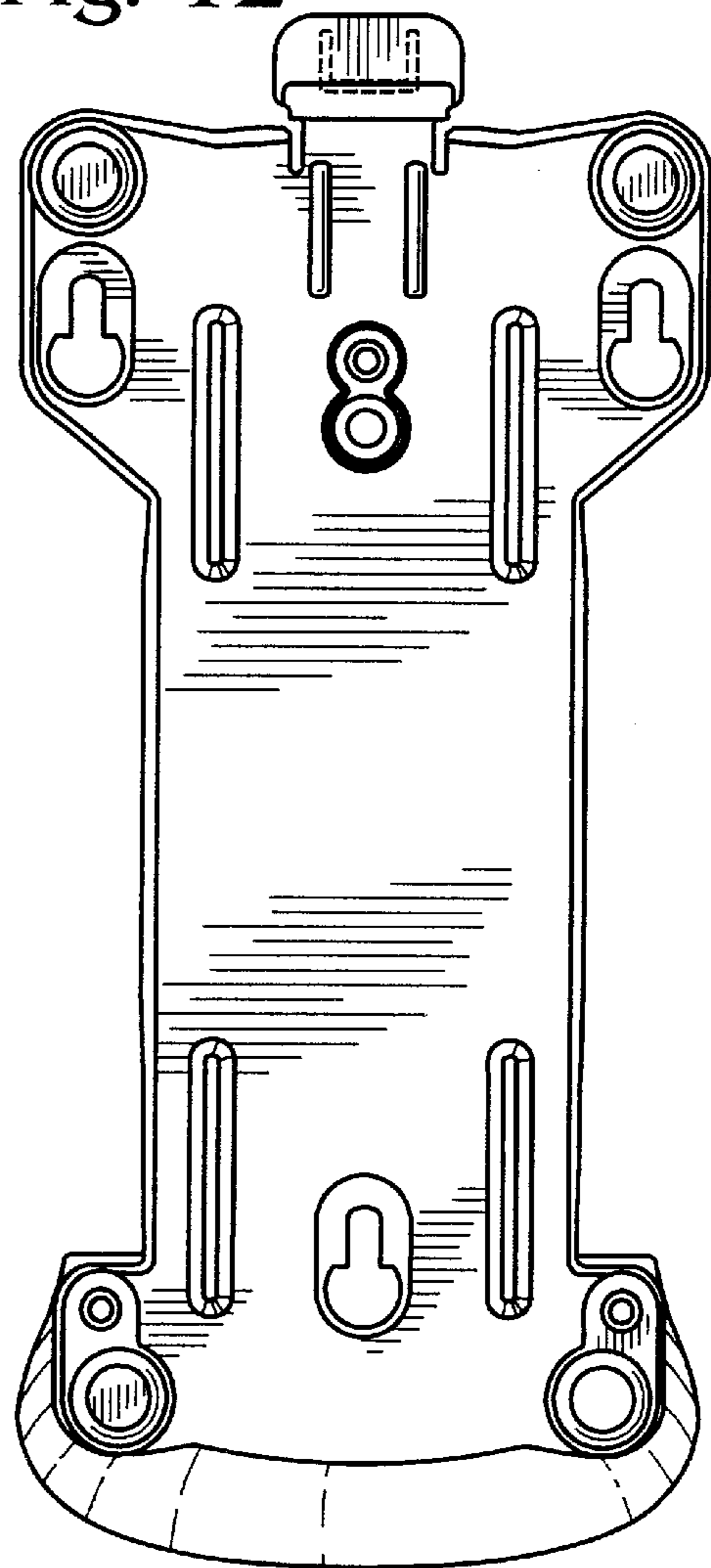


Fig. 13

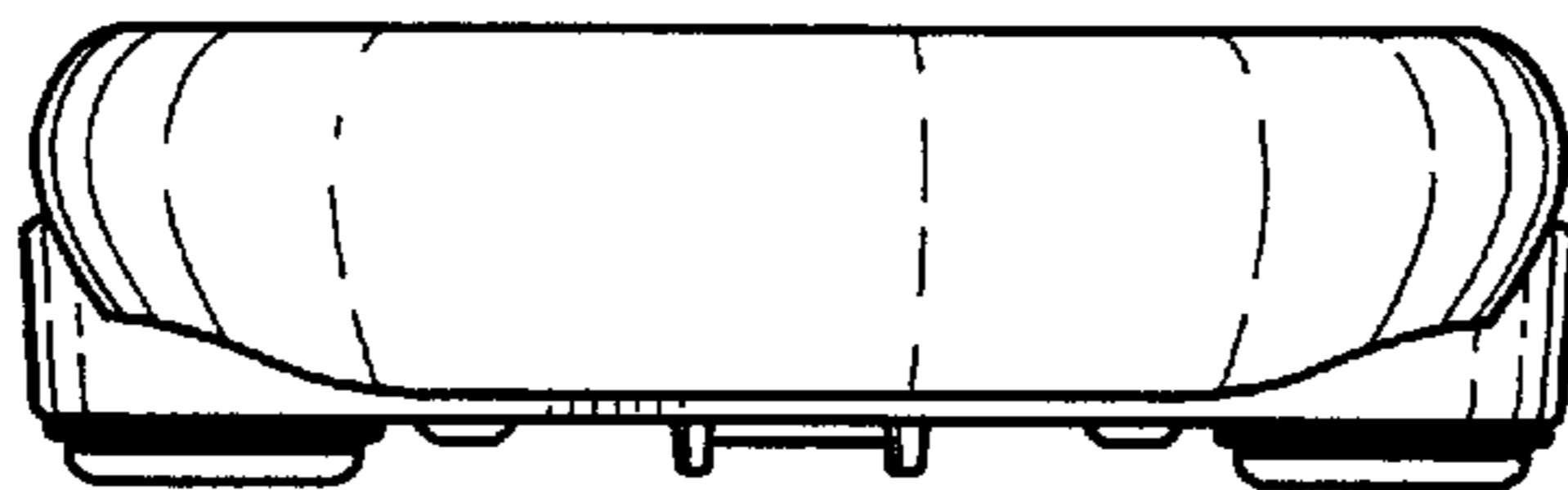


Fig. 14

