



US00D476356S

(12) **United States Design Patent**  
**Martinez**

(10) **Patent No.:** **US D476,356 S**

(45) **Date of Patent:** **\*\* Jun. 24, 2003**

(54) **CASE FOR ERGONOMIC HAND HELD DEVICE**

(76) **Inventor:** **Gustavo A. Martinez**, 1120 Crandon Blvd. #E-102, Key Biscayne, FL (US) 33049

(\*\*) **Term:** **14 Years**

(21) **Appl. No.:** **29/131,426**

(22) **Filed:** **Oct. 20, 2000**

(51) **LOC (7) Cl.** ..... **17-01**

(52) **U.S. Cl.** ..... **D17/1**

(58) **Field of Search** ..... D17/1-2, 5-7, D17/9, 24, 99; D21/409, 324, 405; 84/174, 175, 177, 180, 186.1, 172, 678, 423 R, 477 R-478, DIG. 17, 170-171, 82, 719, 744, 600, 615, 647, 653, 670, 743; 446/397, 143; D28/50, 51; D3/208; D14/163, 165, 167

(56) **References Cited**

**U.S. PATENT DOCUMENTS**

4,998,457 A \* 3/1991 Suzuki et al. .... 84/600

D342,274 S \* 12/1993 Ohki et al. .... D17/99  
5,300,729 A \* 4/1994 Tokunaga et al. .... 84/657  
5,313,010 A \* 5/1994 Matsushima et al. .... 84/600  
D376,365 S \* 12/1996 Kawada ..... D14/217  
D401,963 S \* 12/1998 Schneider et al. .... D17/99  
5,973,256 A \* 10/1999 Martinez ..... 84/653  
D436,228 S \* 1/2001 Sulik et al. .... D28/50

\* cited by examiner

*Primary Examiner*—Ruth McInroy

(74) *Attorney, Agent, or Firm*—J. Sanchelima; A. Bordas

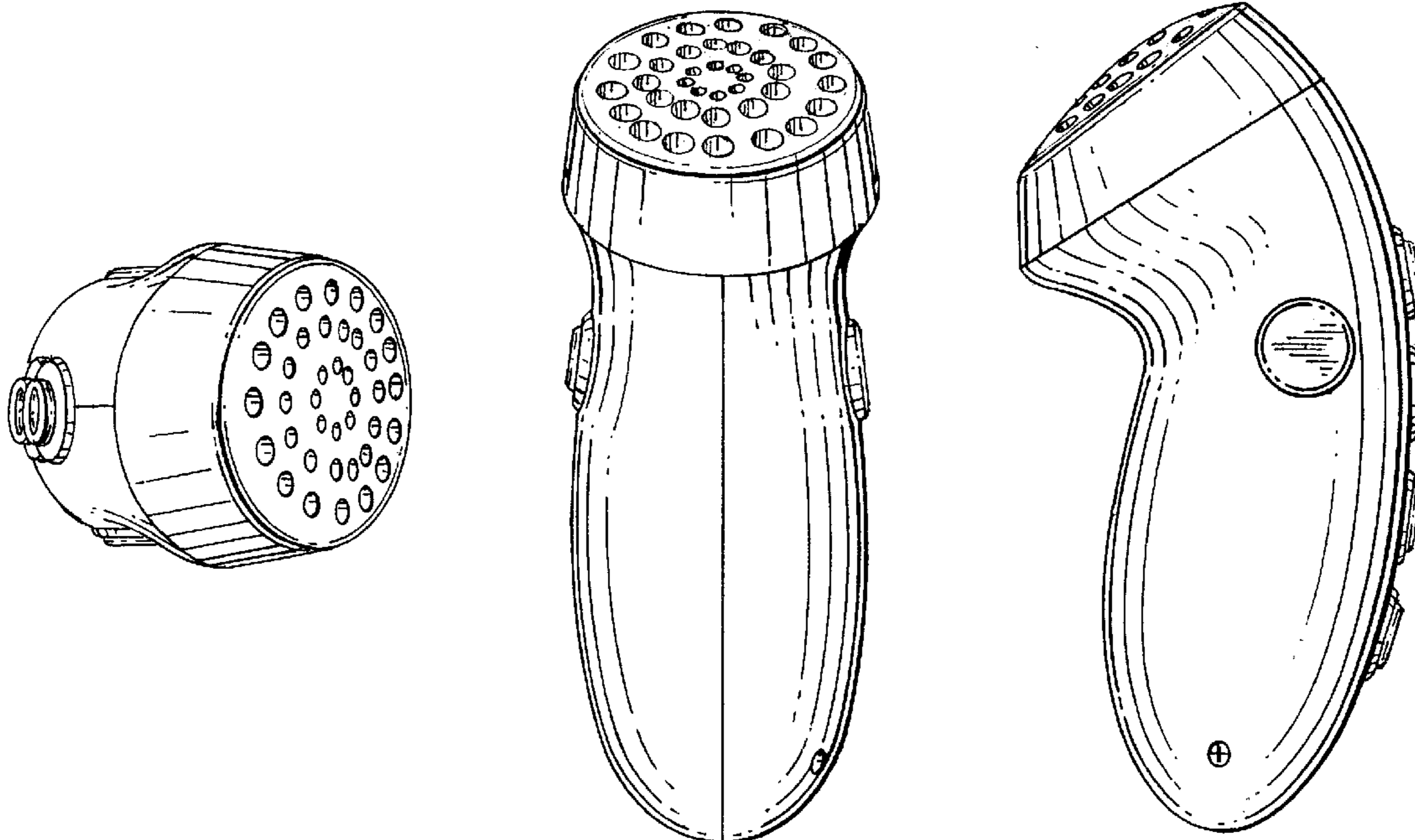
(57) **CLAIM**

The ornamental design for a case for ergonomic hand held device, shown and described.

**DESCRIPTION**

FIG. 1 is a top plan view of a case for ergonomic hand held device showing my new design;  
FIG. 2 is a front elevational view thereof;  
FIG. 3 is a bottom plan view thereof;  
FIG. 4 is a left side elevational view thereof;  
FIG. 5 is a back view thereof; and,  
FIG. 6 is a right side elevational view thereof.

**1 Claim, 2 Drawing Sheets**



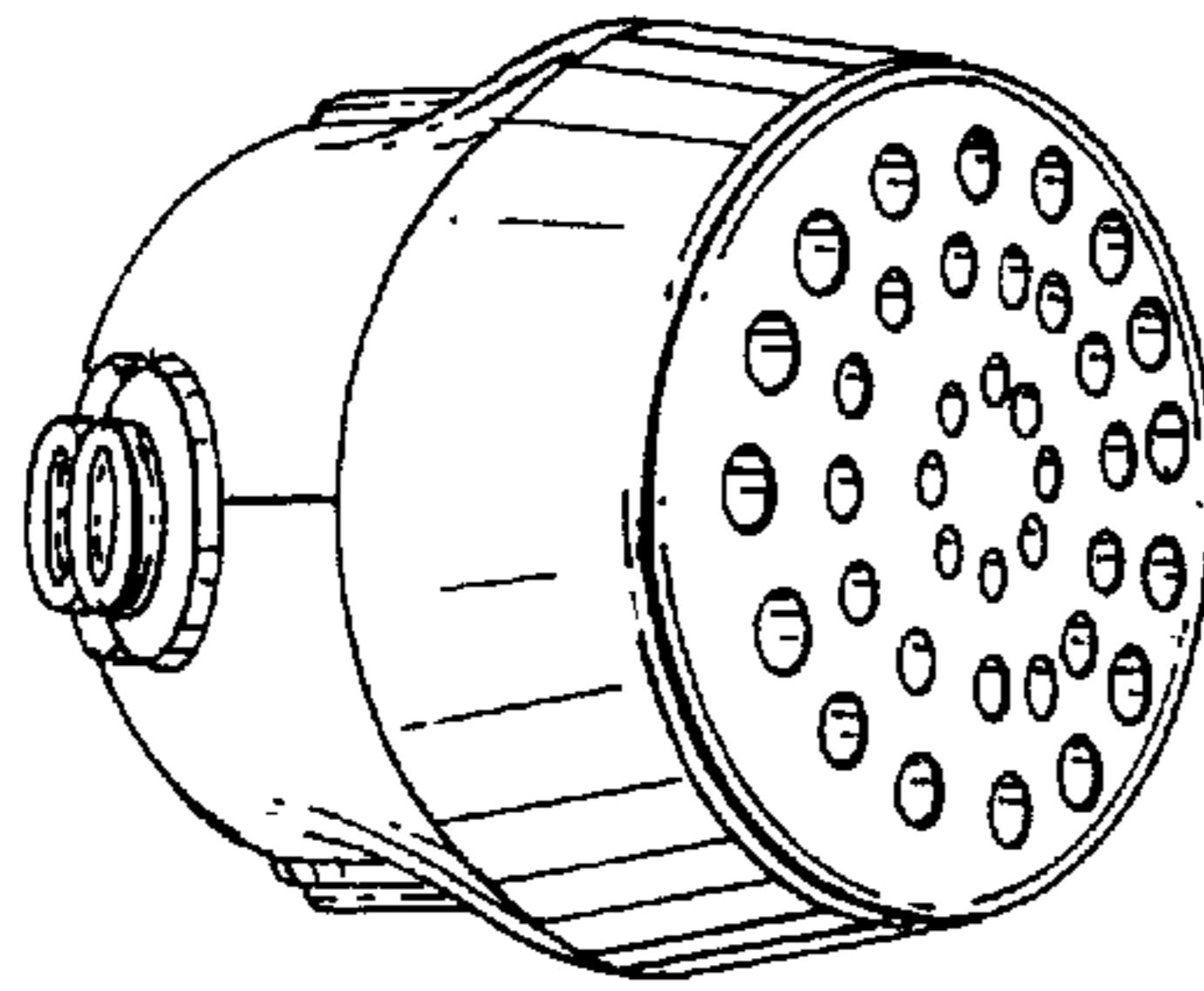


FIG. 1.

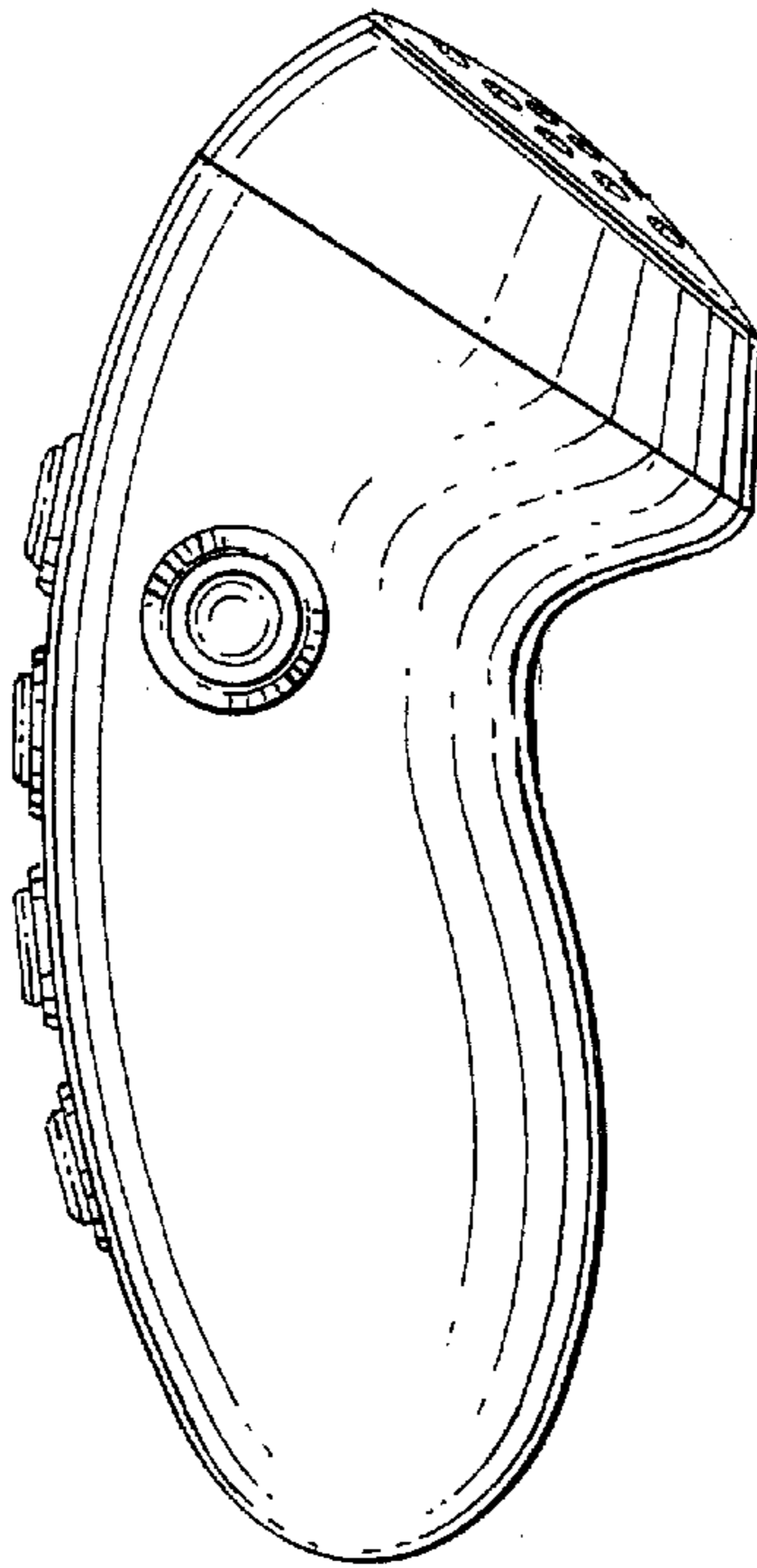


FIG. 2.

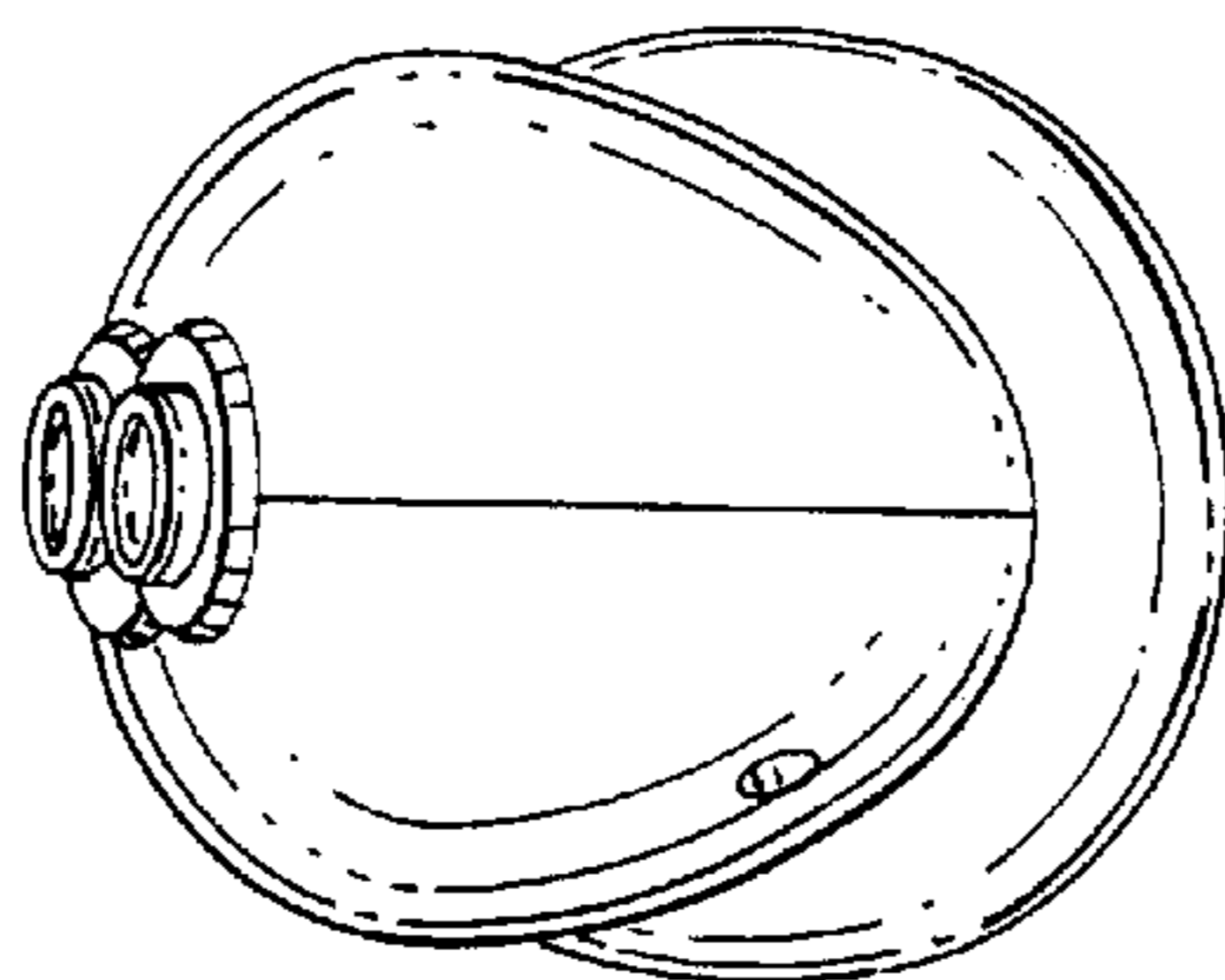


FIG. 3.

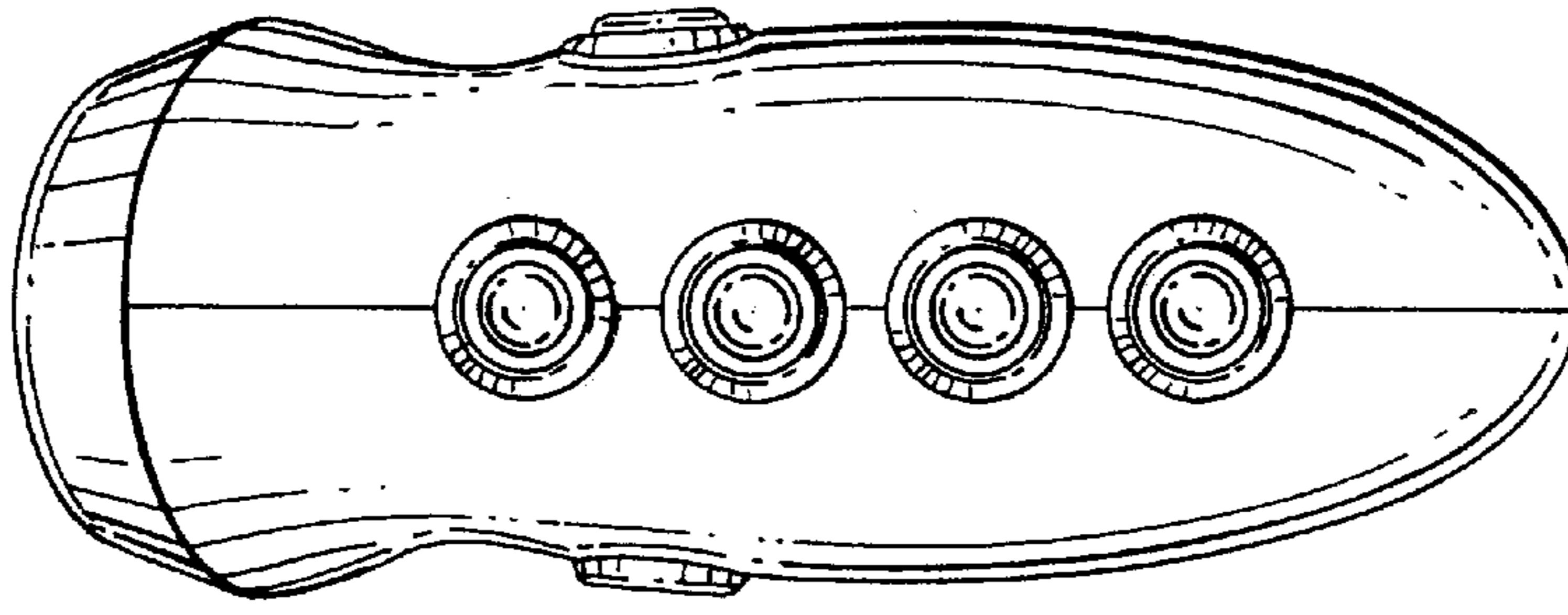


FIG. 6

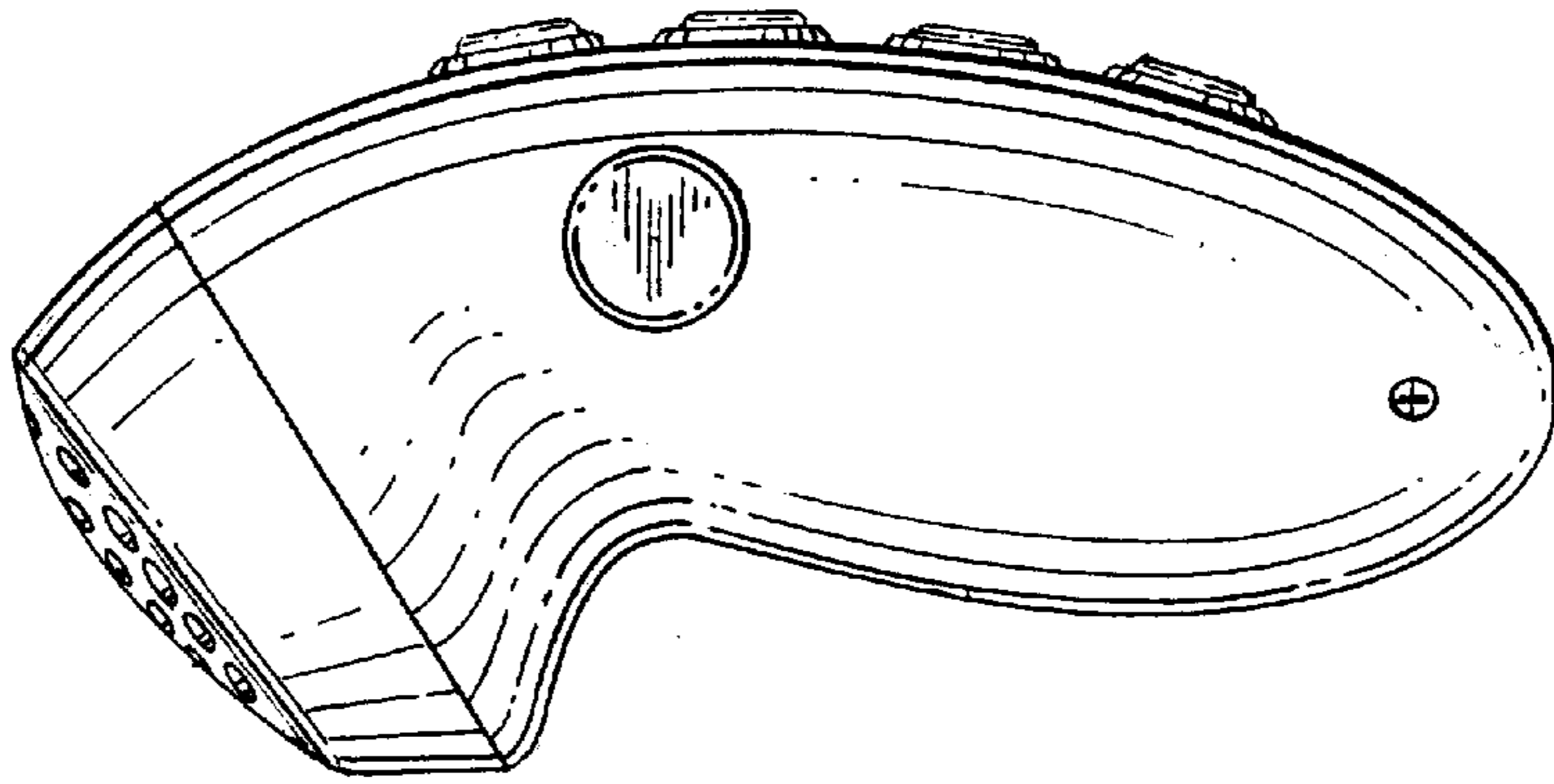


FIG. 5

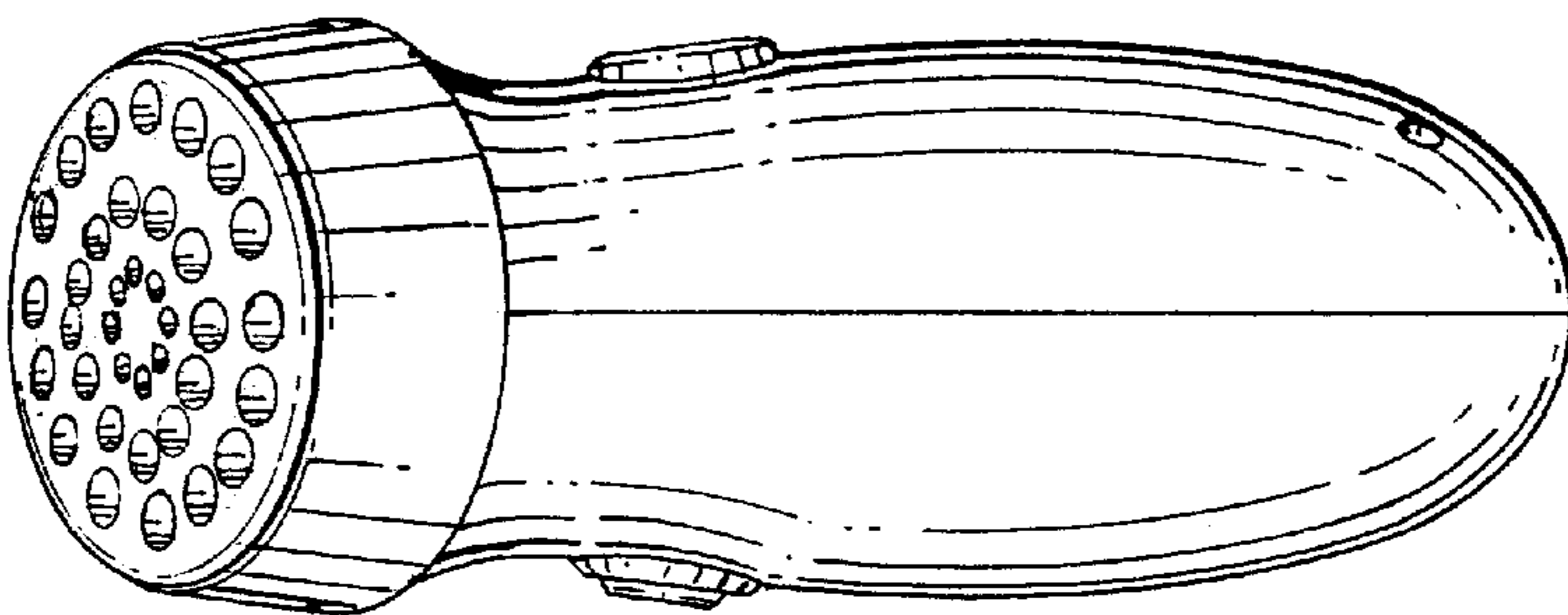


FIG. 4