



US00D476353S

(12) **United States Design Patent**
Morishita et al.

(10) **Patent No.:** **US D476,353 S**

(45) **Date of Patent:** **** Jun. 24, 2003**

(54) **VIDEO PROJECTOR**

(75) Inventors: **Yoshihito Morishita**, Osaka (JP);
Kuniyuki Kawamoto, Osaka (JP);
Sadayoshi Azuma, Kyoto (JP)

(73) Assignee: **Matsushita Electric Industrial Co., Ltd.**, Osaka (JP)

(**) Term: **14 Years**

(21) Appl. No.: **29/171,194**

(22) Filed: **Nov. 14, 2002**

(30) **Foreign Application Priority Data**

May 16, 2002 (JP) 2002-013056

(51) **LOC (7) Cl.** **16-02**

(52) **U.S. Cl.** **D16/231; D16/230**

(58) **Field of Search** **D16/205, 202, D16/221, 225, 230, 231, 234; D21/514; 353/115, 119, 122**

(56) **References Cited**

U.S. PATENT DOCUMENTS

D410,020 S	*	5/1999	Adachi	D16/231
D412,926 S	*	8/1999	Saeki et al.	D16/231
D420,691 S	*	2/2000	Adachi	D16/231
D422,292 S	*	4/2000	Takizawa	D16/231
6,053,616 A	*	4/2000	Fujimori et al.	353/119
D424,090 S	*	5/2000	Ko et al.	D16/231
6,227,671 B1	*	5/2001	Haba	353/119

D449,637 S	*	10/2001	Hayashi et al.	D16/230
6,302,543 B1	*	10/2001	Arai et al.	353/119
D451,941 S	*	12/2001	Takizawa	D16/230
6,505,941 B2	*	1/2003	Nakano	353/119

FOREIGN PATENT DOCUMENTS

JP	1072776	6/2000
JP	1080411	7/2000
JP	1129442	12/2001

* cited by examiner

Primary Examiner—Adir Aronovich

(74) *Attorney, Agent, or Firm*—Christensen O'Connor Johnson Kindness PLLC

(57) **CLAIM**

The ornamental design for a video projector, as shown and described.

DESCRIPTION

FIG. 1 is a perspective view of the top, front and right side of a video projector showing our new design;
FIG. 2 is a front view thereof;
FIG. 3 is a rear view thereof;
FIG. 4 is a right side view thereof;
FIG. 5 is a left side view thereof;
FIG. 6 is a top plan view thereof;
FIG. 7 is a bottom view thereof; and,
FIG. 8 is a perspective view thereof, the projector being in a vertical position with the handle open.

1 Claim, 6 Drawing Sheets

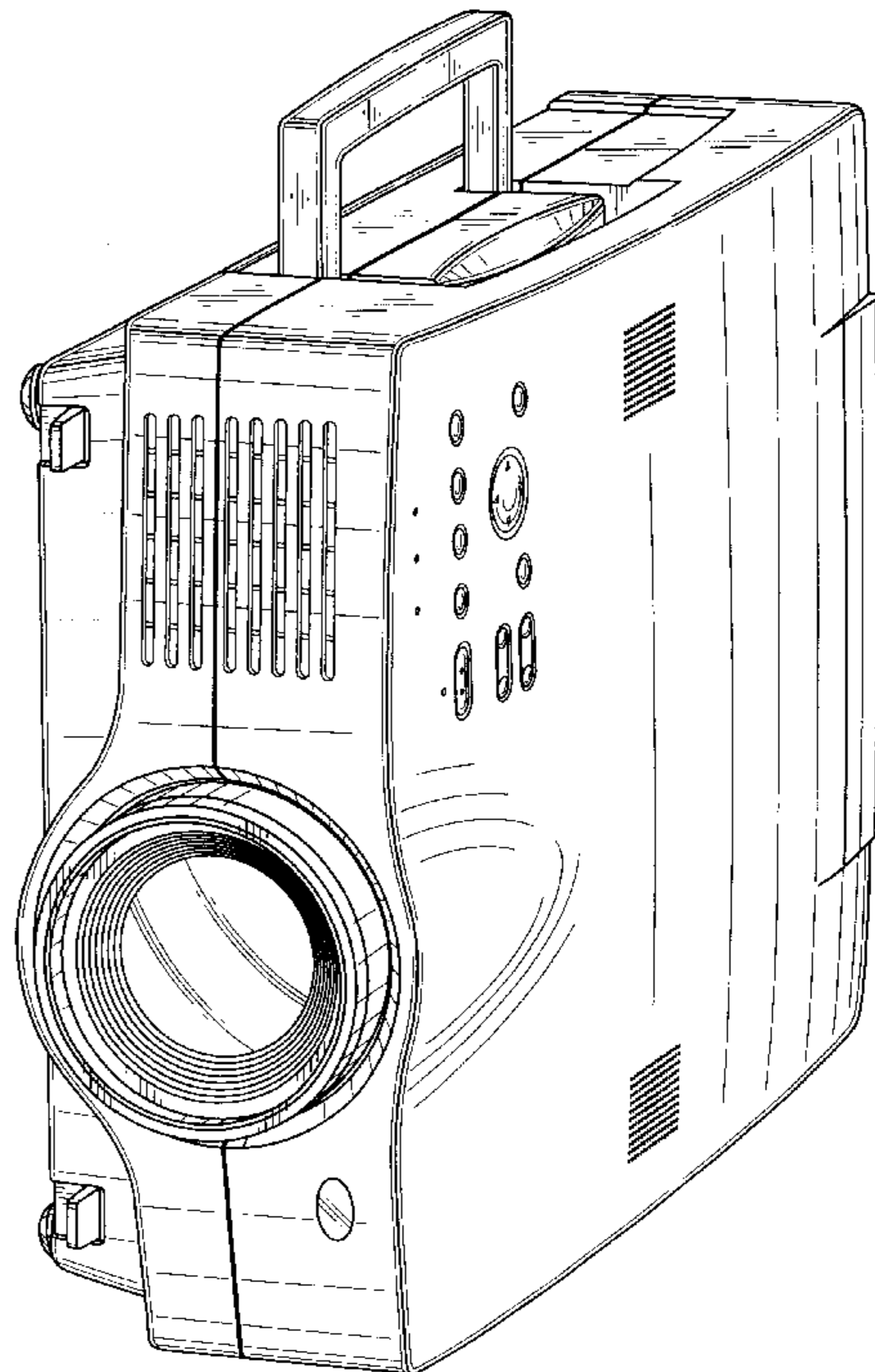
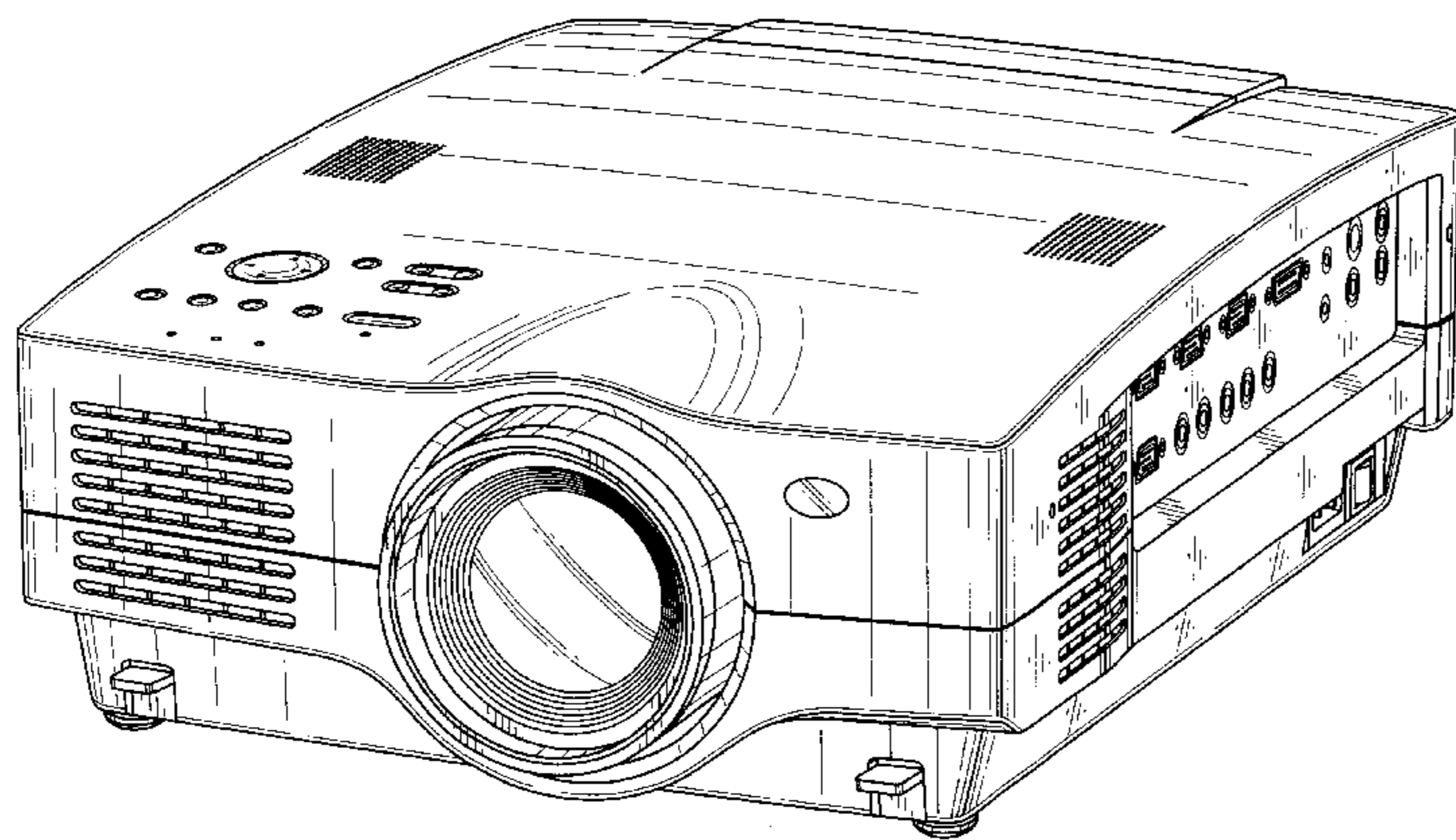


FIG. 1

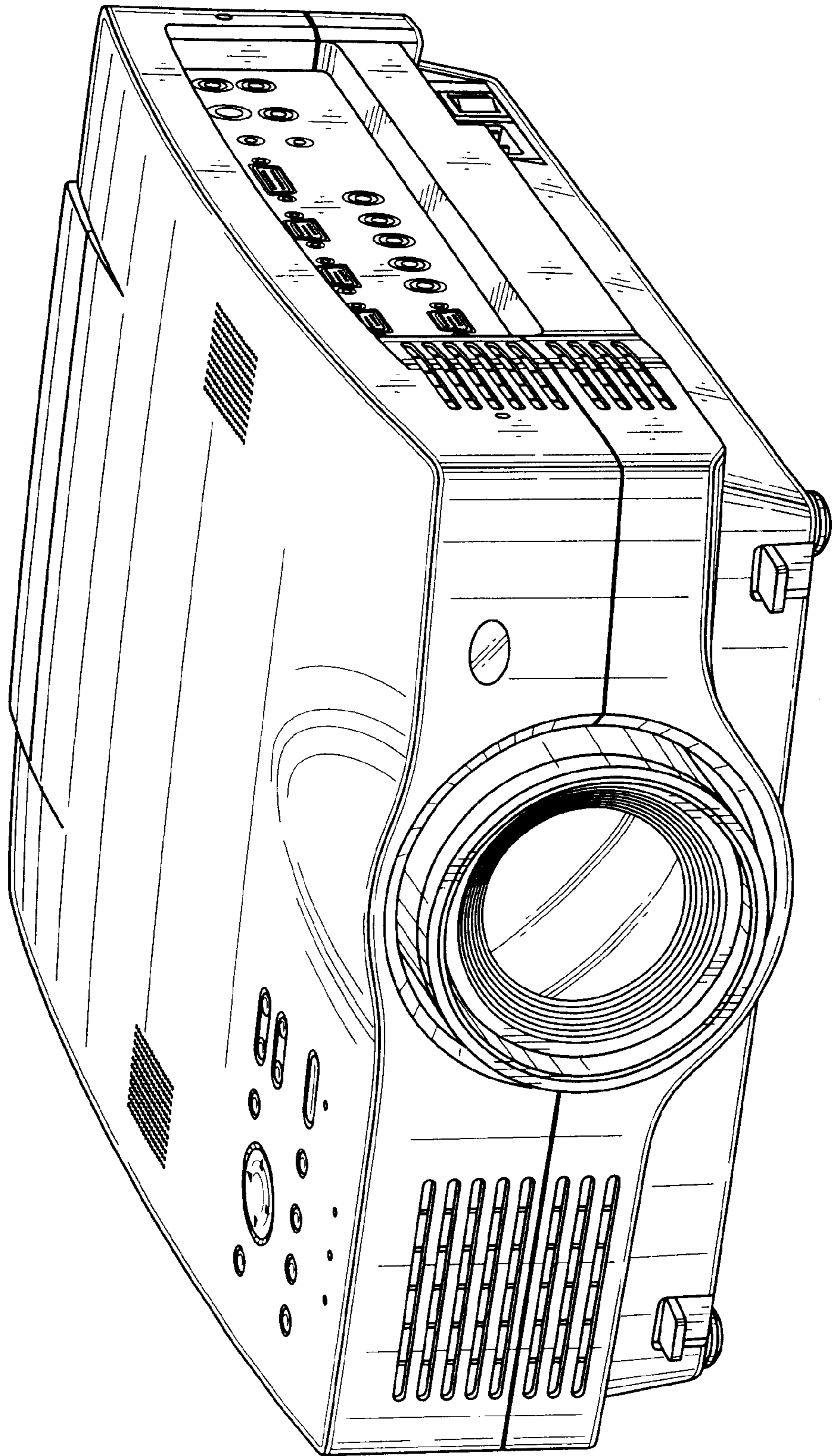


FIG. 2

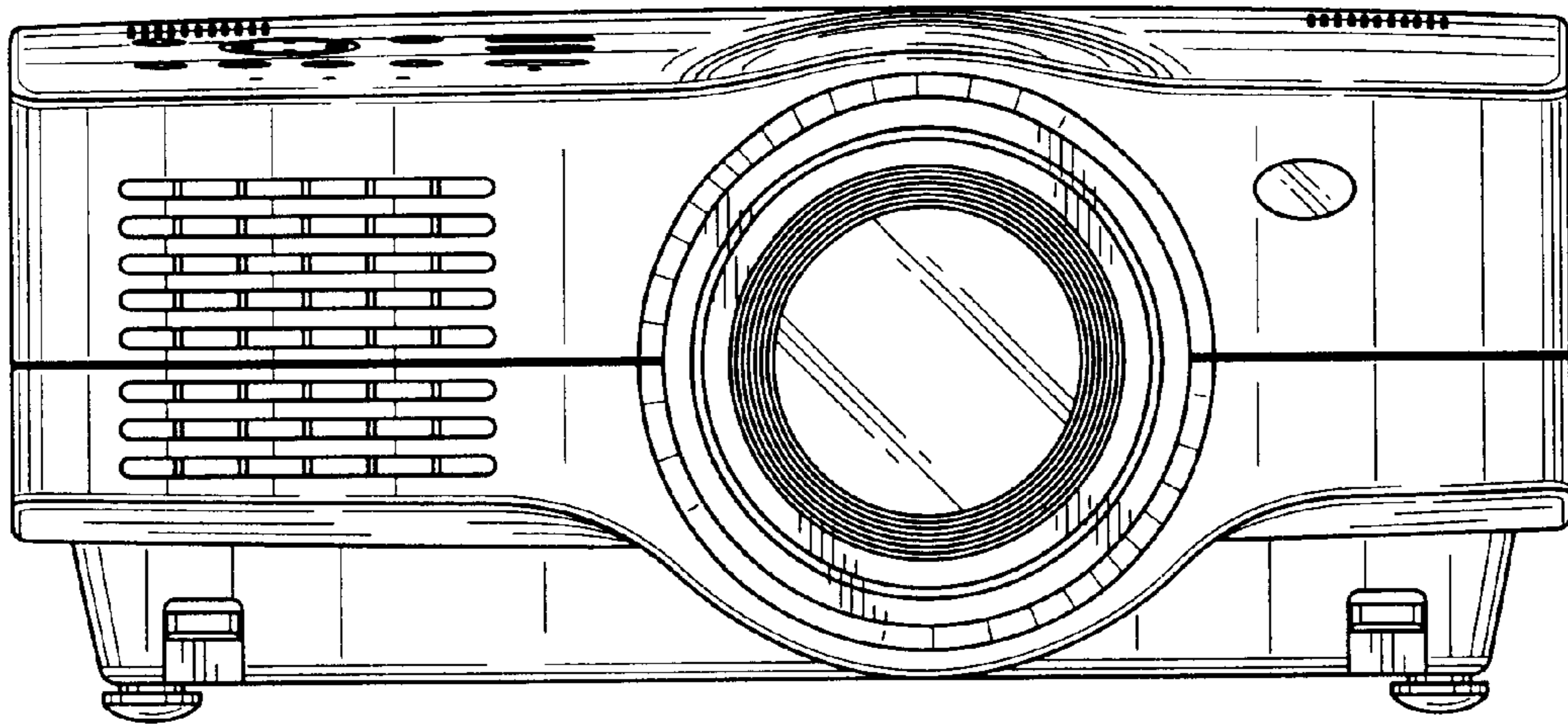


FIG. 3

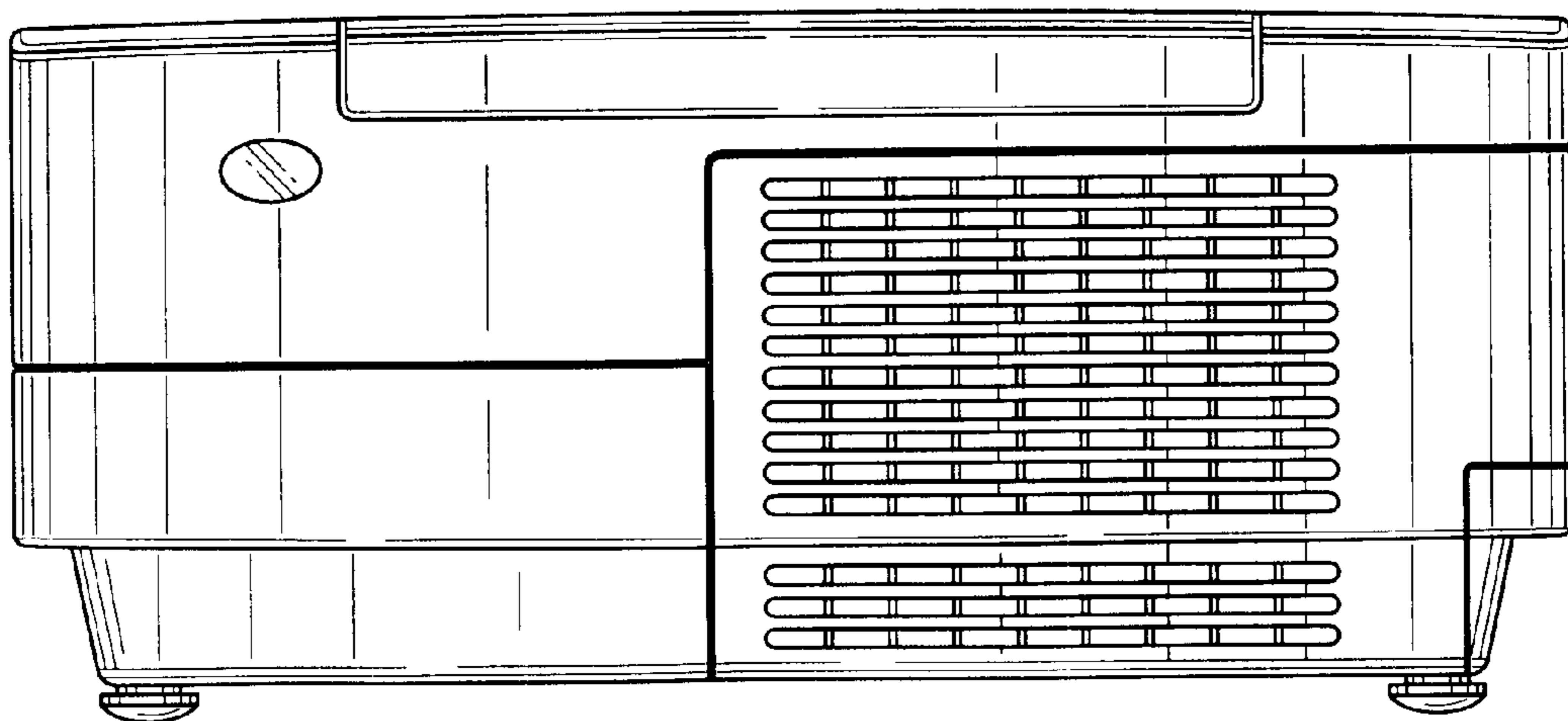


FIG. 4

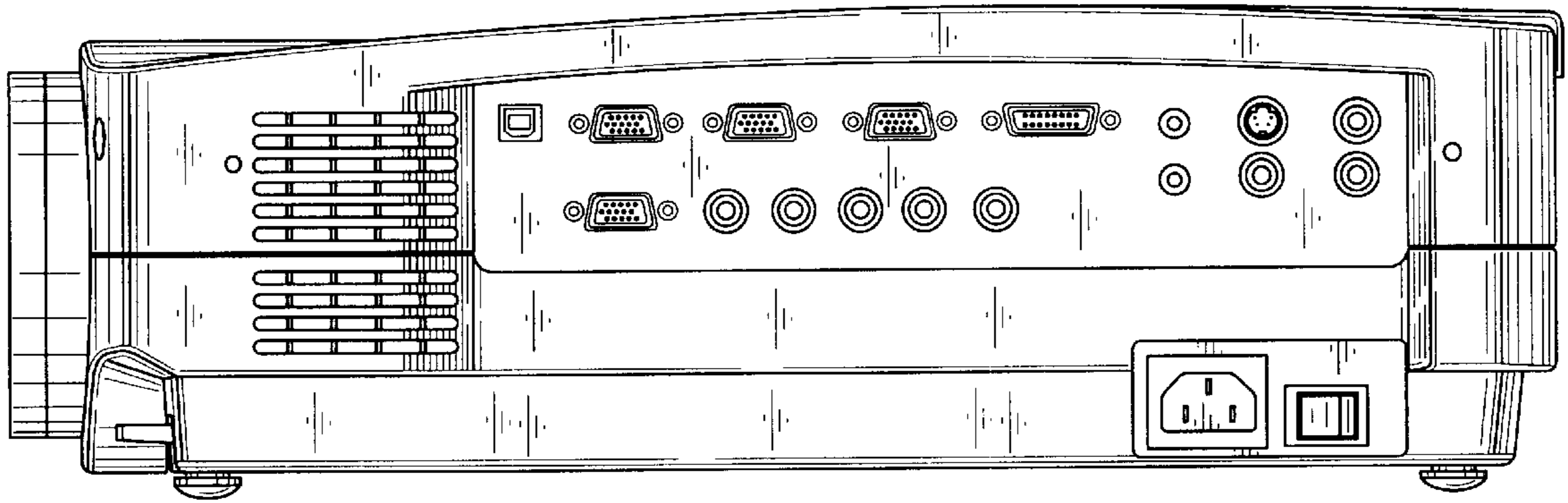


FIG. 5

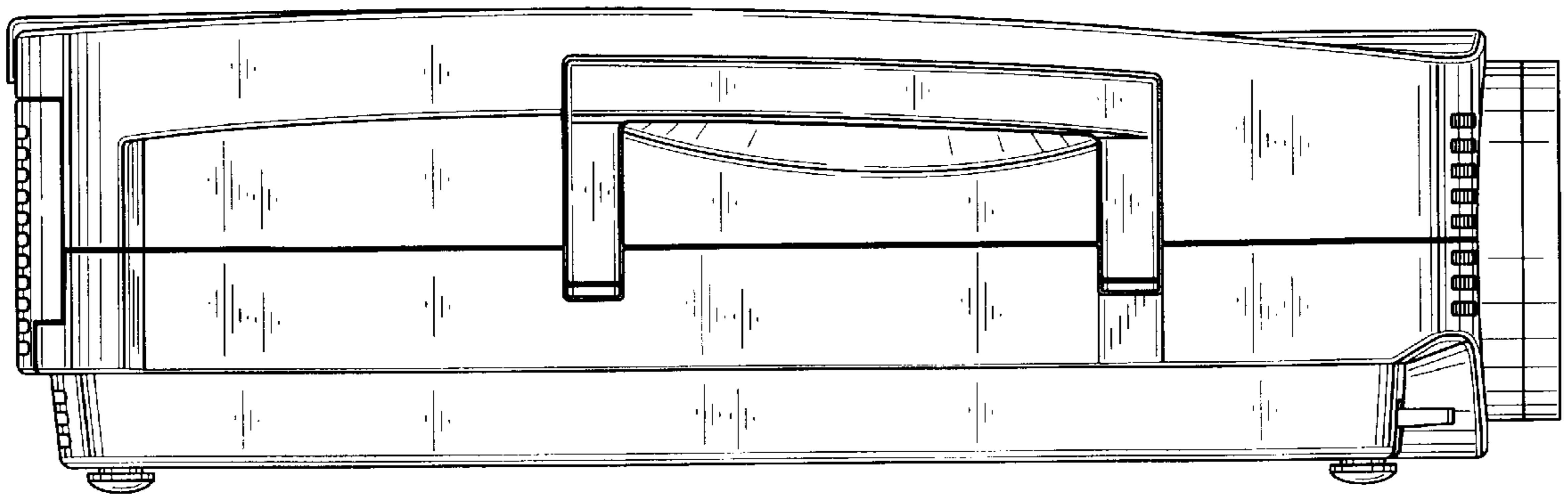


FIG. 6

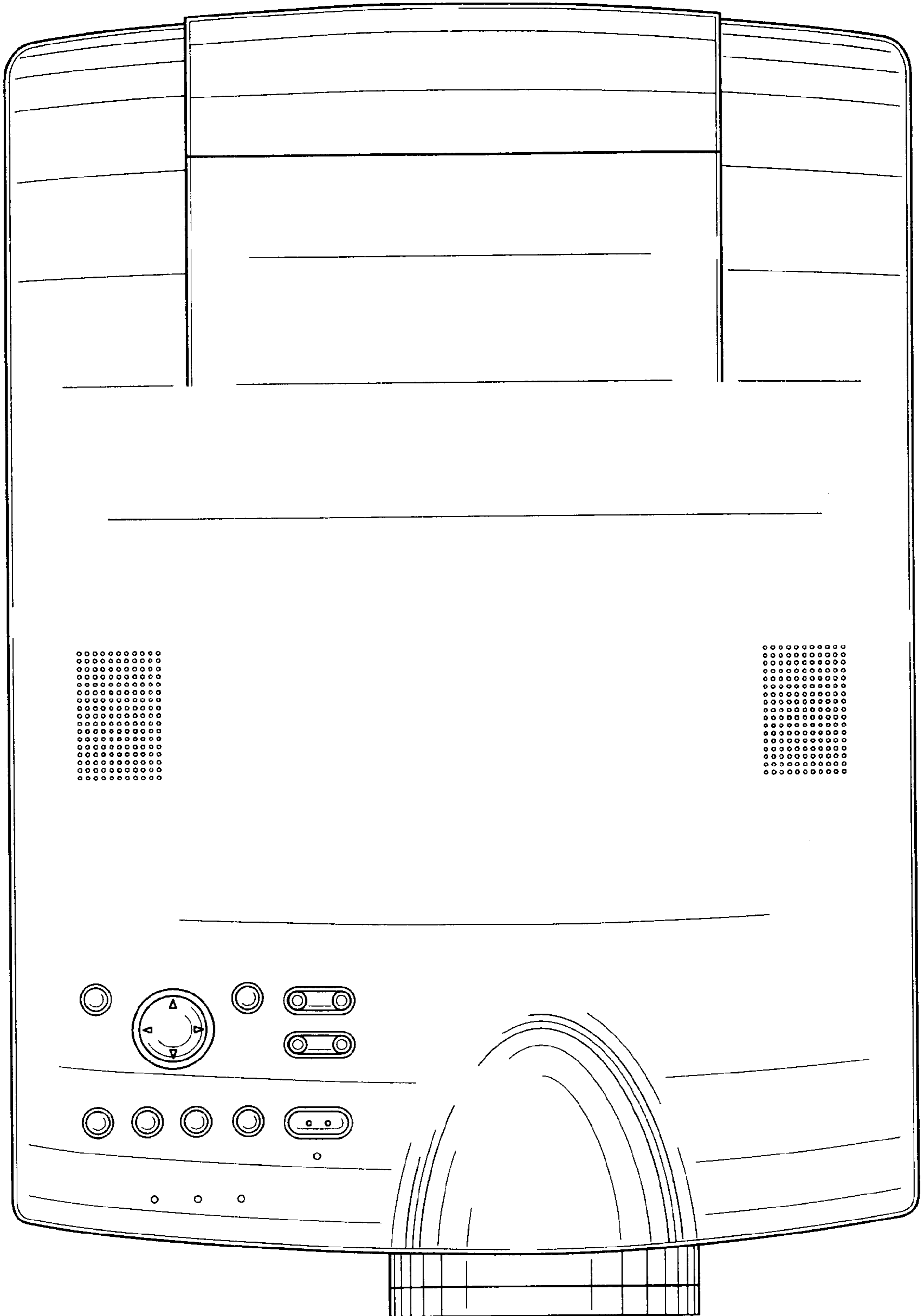


FIG. 7

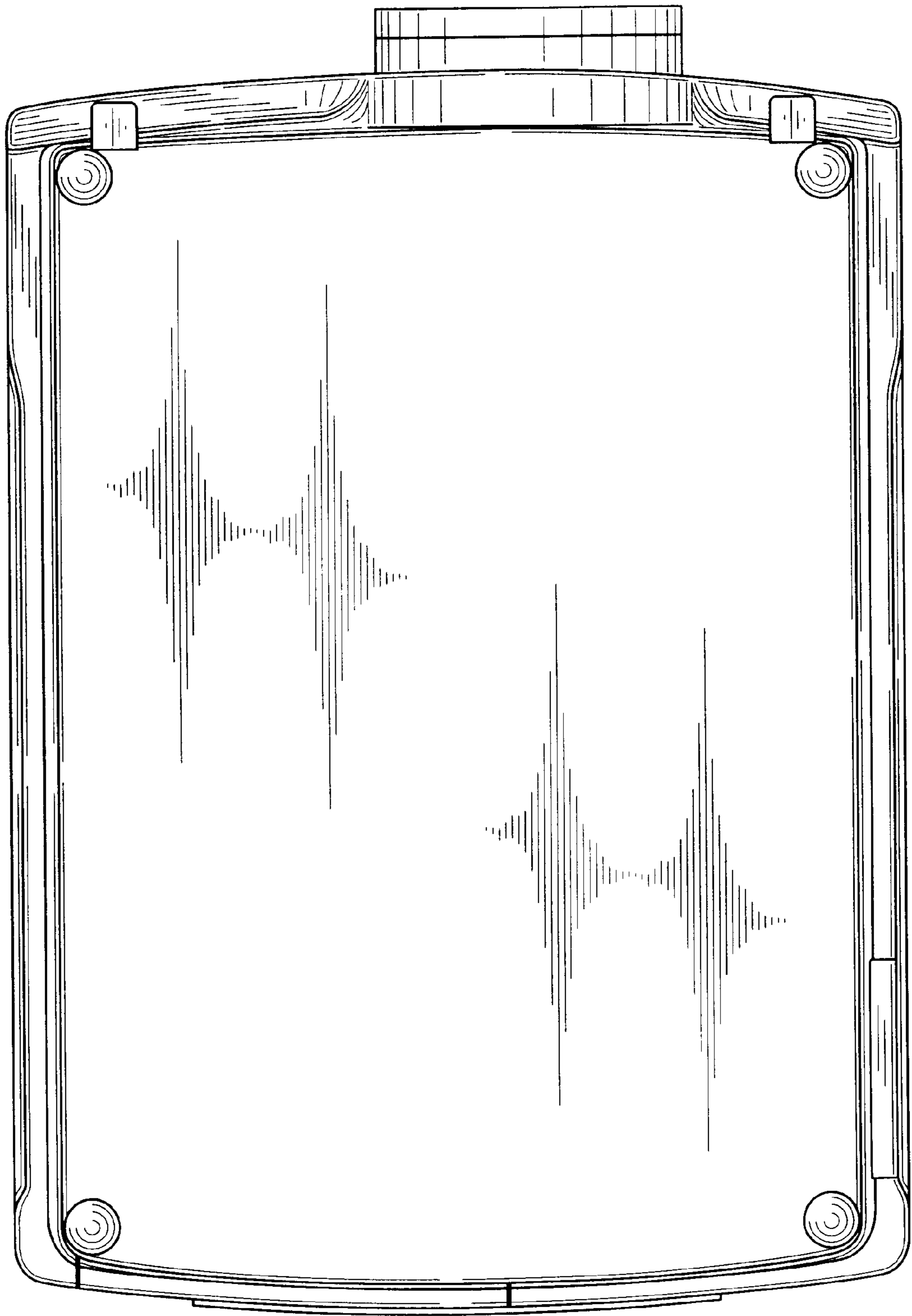


FIG. 8

