



US00D476352S

(12) **United States Design Patent**
Takimura et al.

(10) **Patent No.:** **US D476,352 S**

(45) **Date of Patent:** **** Jun. 24, 2003**

(54) **CAMERA**

(75) **Inventors:** **Ryo Takimura, Tokyo (JP); Masayoshi Era, Tokyo (JP); Koujiro Yoshida, Tokyo (JP)**

(73) **Assignee:** **Konica Corporation, Tokyo (JP)**

(**) **Term:** **14 Years**

(21) **Appl. No.:** **29/161,888**

(22) **Filed:** **Jun. 5, 2002**

(30) **Foreign Application Priority Data**

Dec. 4, 2001 (JP) 2001-036136

(51) **LOC (7) Cl.** **16-01**

(52) **U.S. Cl.** **D16/218; D16/208**

(58) **Field of Search** **D16/200-206, D16/208, 209, 218; 396/6, 7, 535-541**

(56) **References Cited**

U.S. PATENT DOCUMENTS

D382,888 S * 8/1997 Isozaki D16/208
5,907,720 A * 5/1999 Kawamura 396/6

D412,923 S * 8/1999 Takaba D16/218
D418,529 S * 1/2000 Nihei et al. D16/208
D462,373 S * 9/2002 Nihei et al. D16/209
D462,977 S * 9/2002 Yamaguchi D16/209

* cited by examiner

Primary Examiner—Adir Aronovich

(74) *Attorney, Agent, or Firm*—Frishauf, Holtz, Goodman & Chick, P.C.

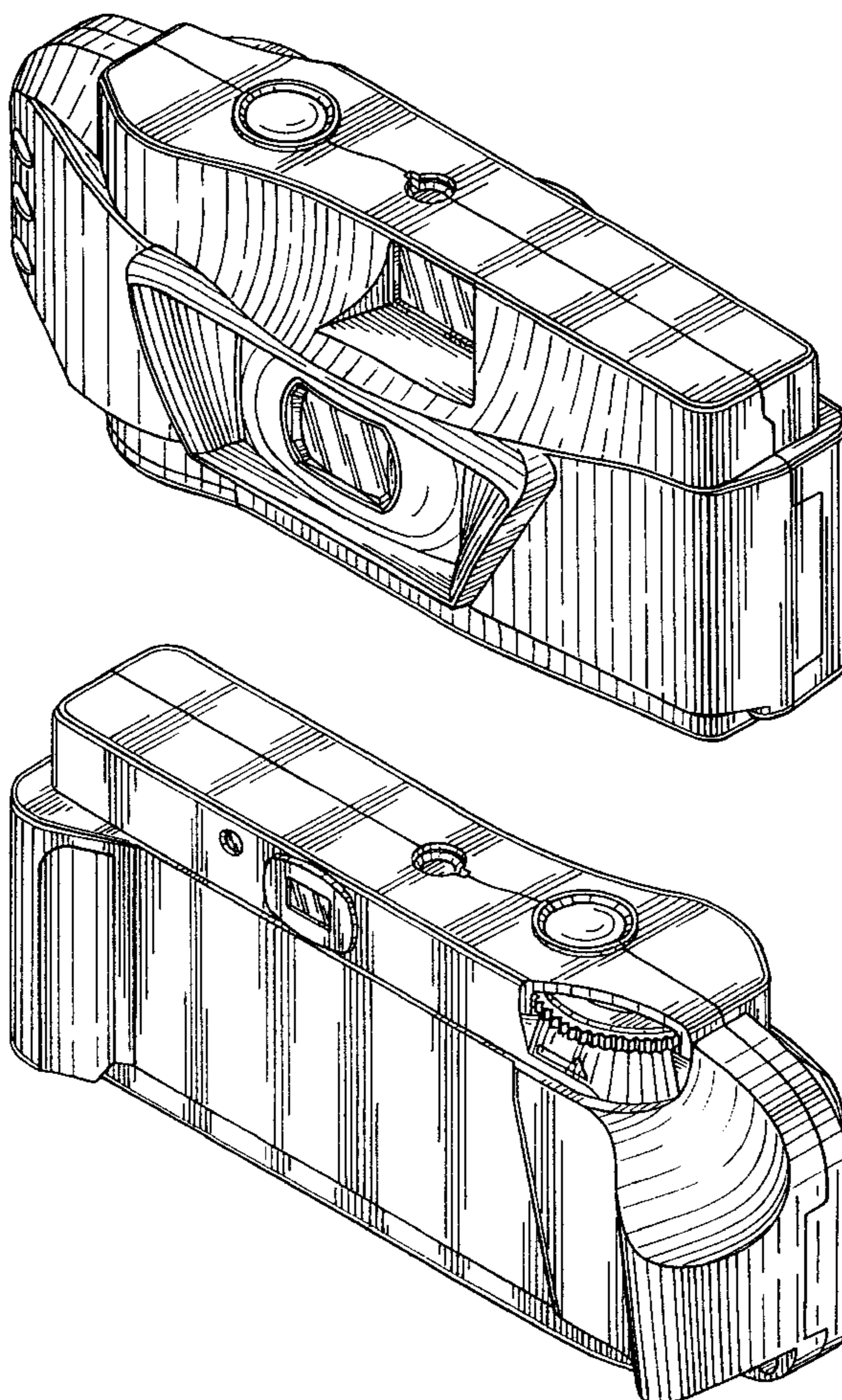
(57) **CLAIM**

The ornamental design for a camera, as shown.

DESCRIPTION

FIG. 1 is a front view of a camera showing our new design; FIG. 2 is a rear view thereof; FIG. 3 is a top plan view thereof; FIG. 4 is a bottom plan view thereof; FIG. 5 is a right side elevational view thereof; FIG. 6 is a left side elevational view thereof; and FIG. 7 is a front, top, right side perspective view thereof; and, FIG. 8 is a rear, top, left side perspective view thereof.

1 Claim, 2 Drawing Sheets



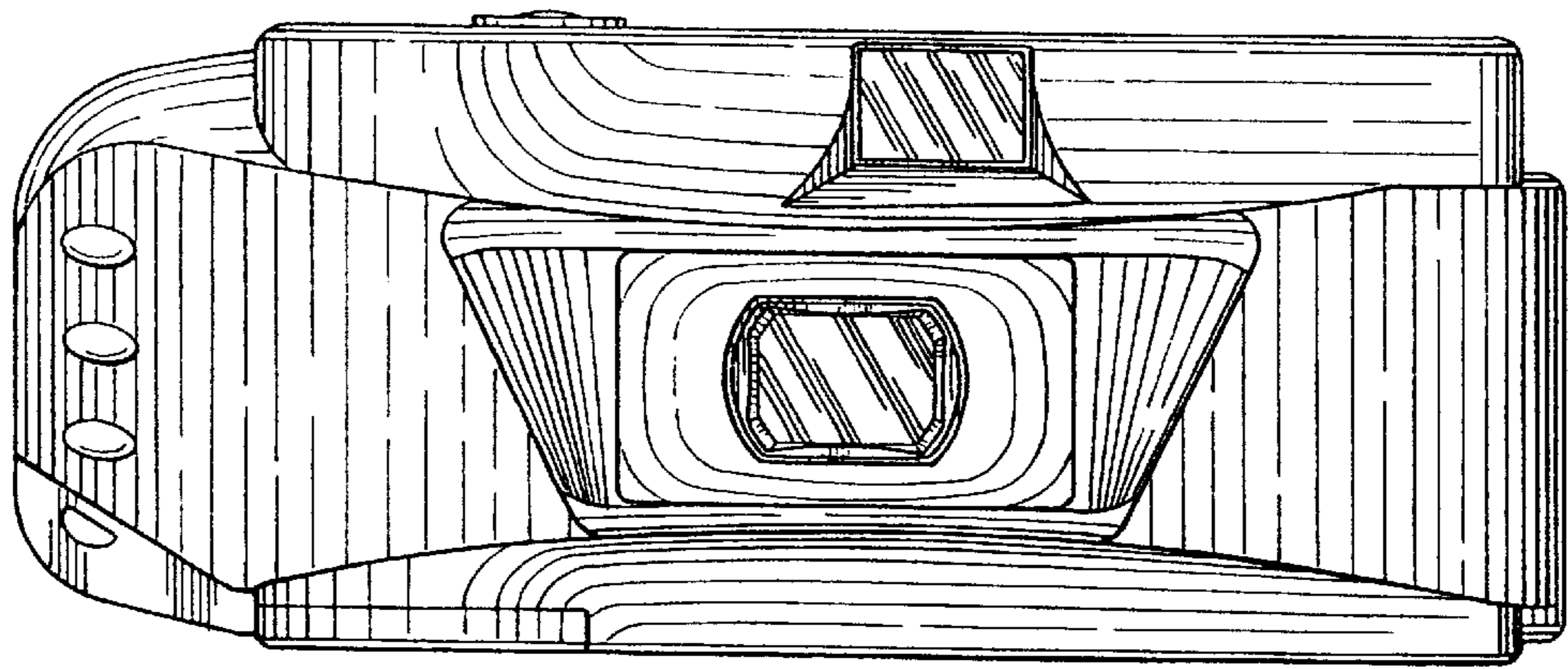


Fig. 1

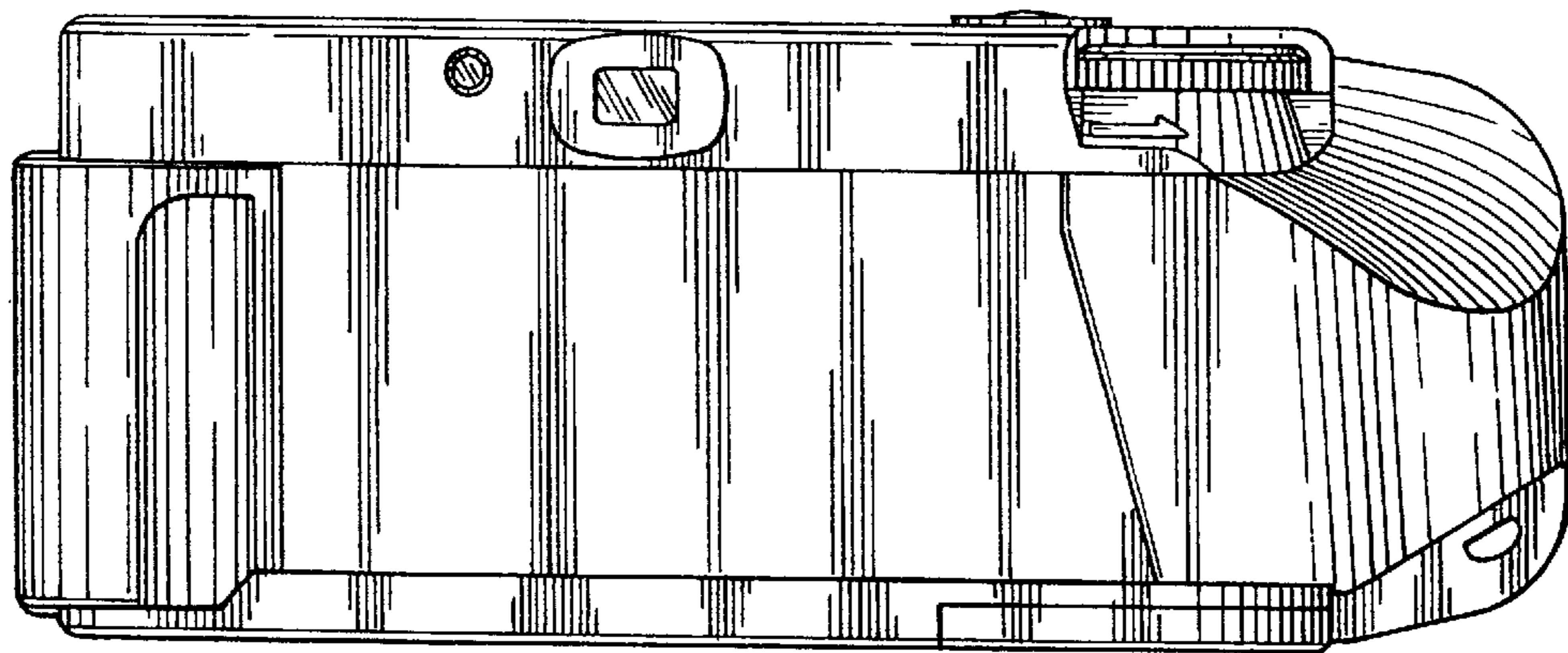


Fig. 2

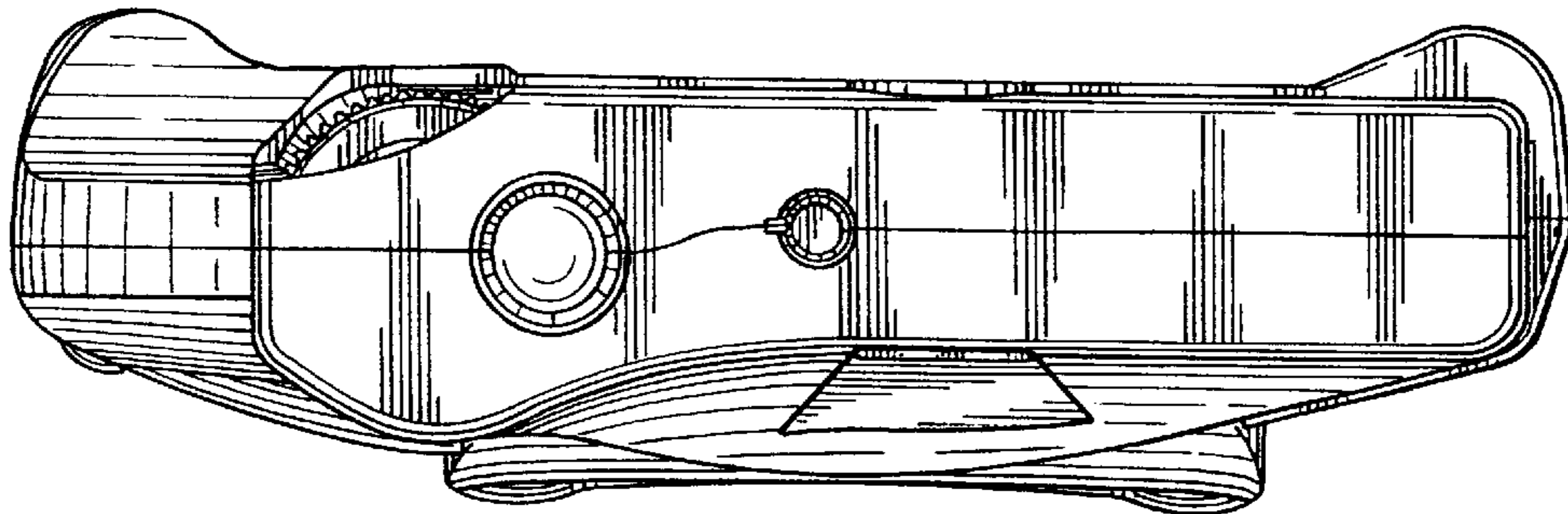


Fig. 3

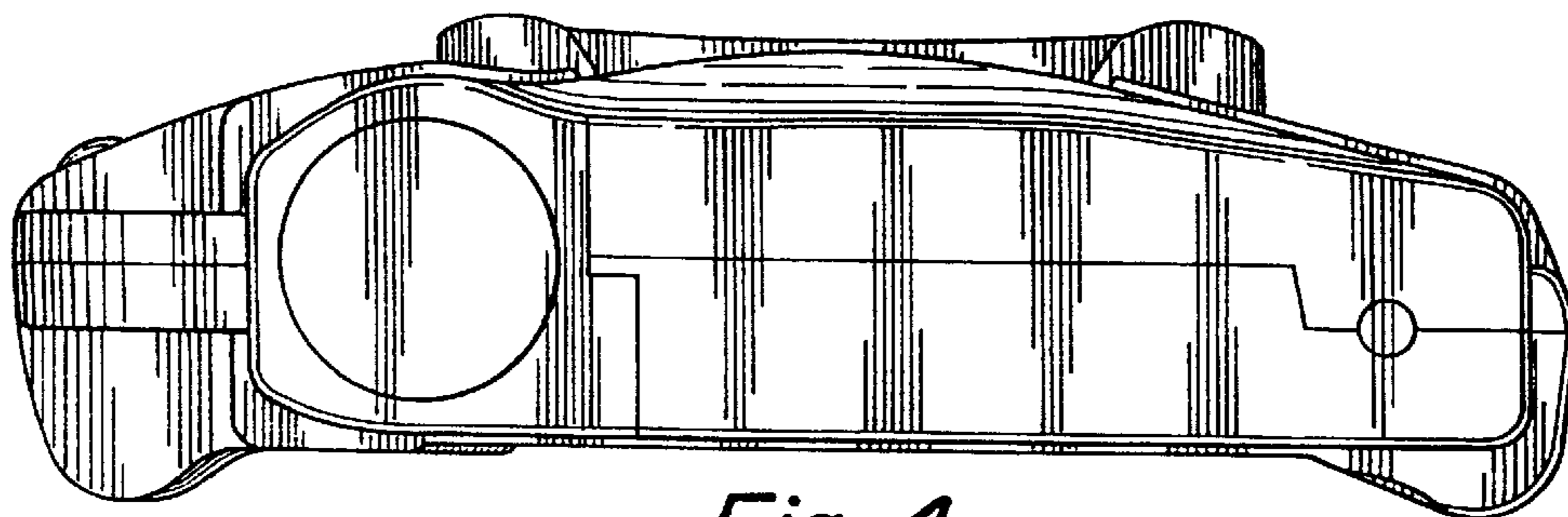


Fig. 4

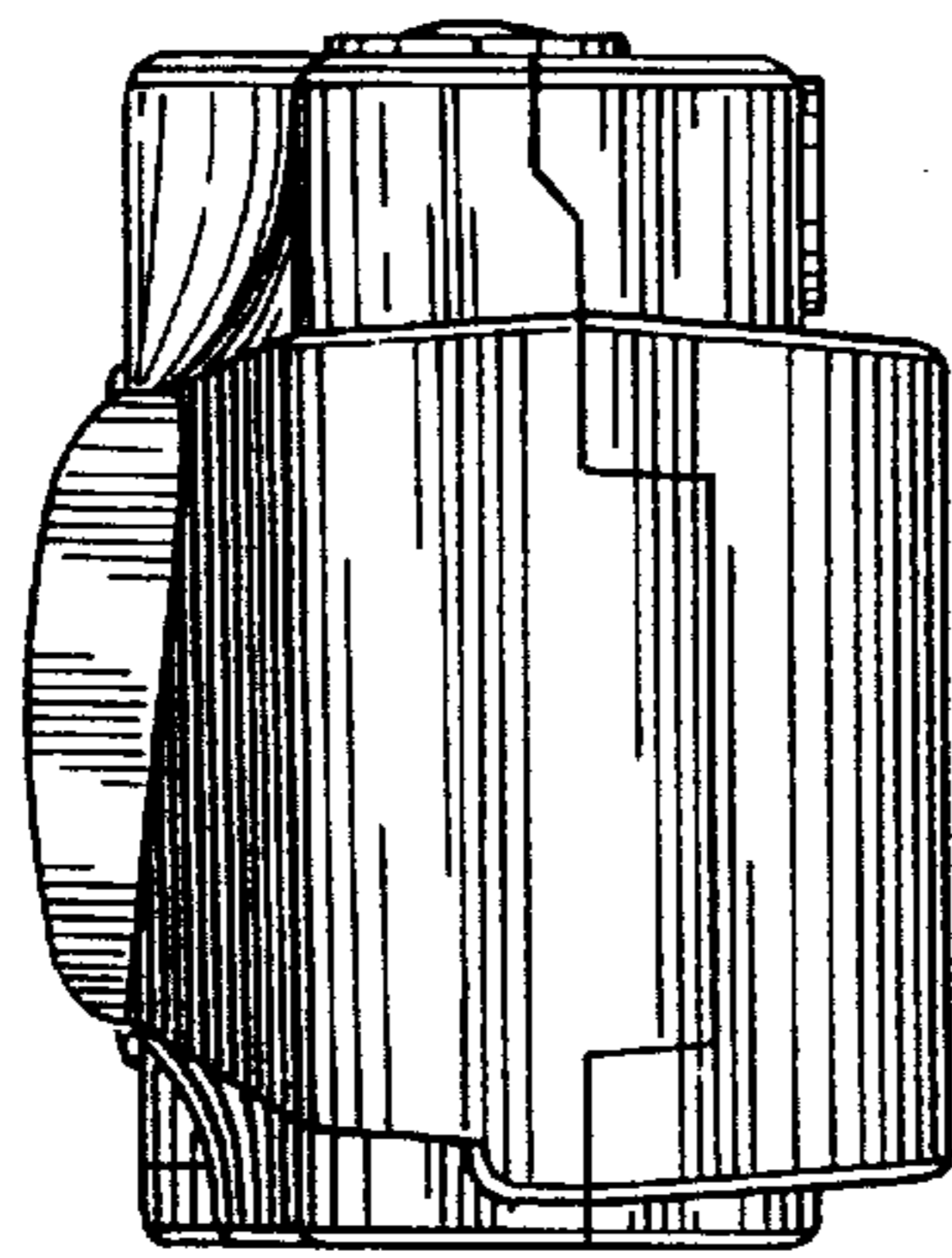


Fig. 5

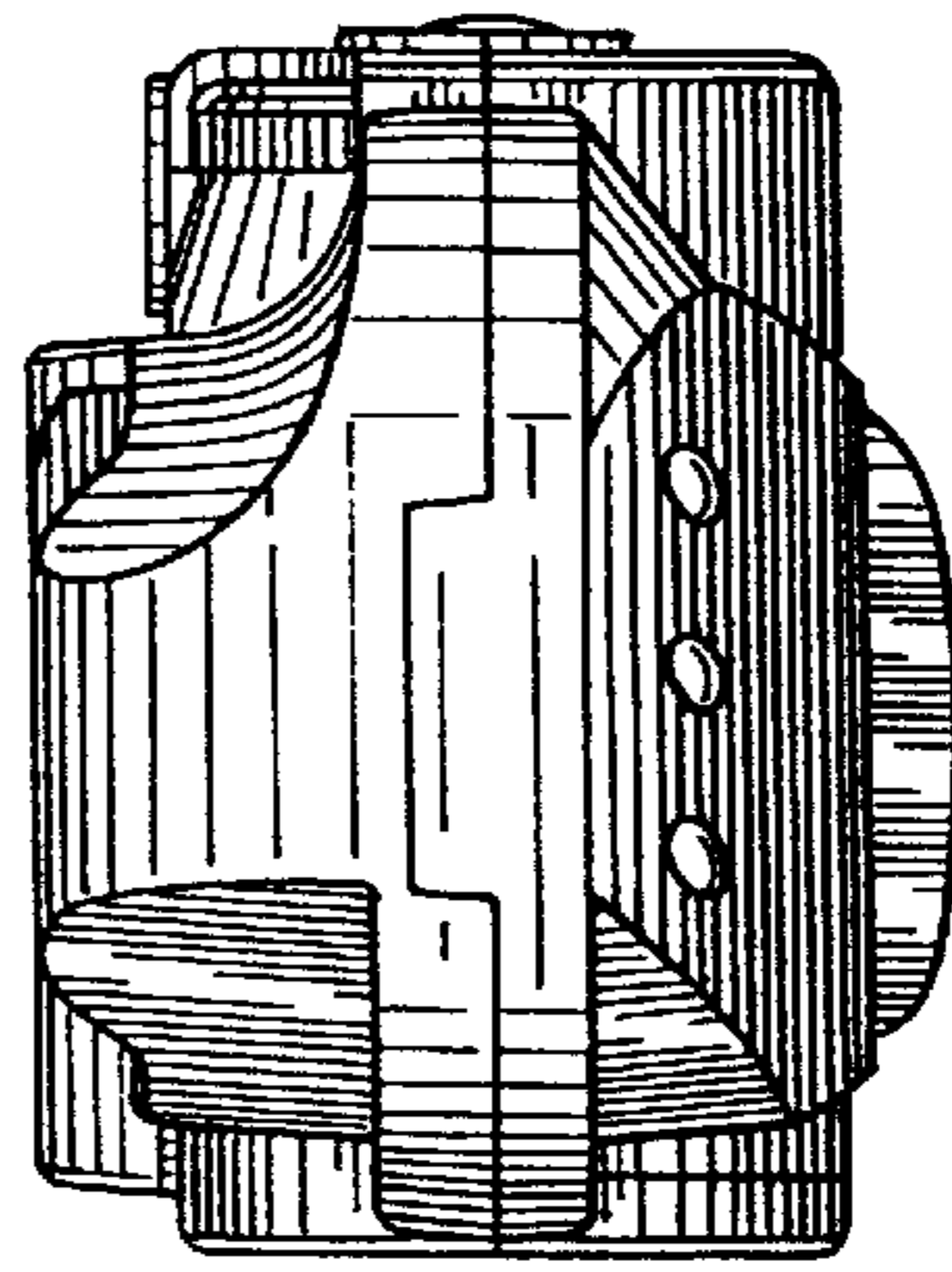


Fig. 6

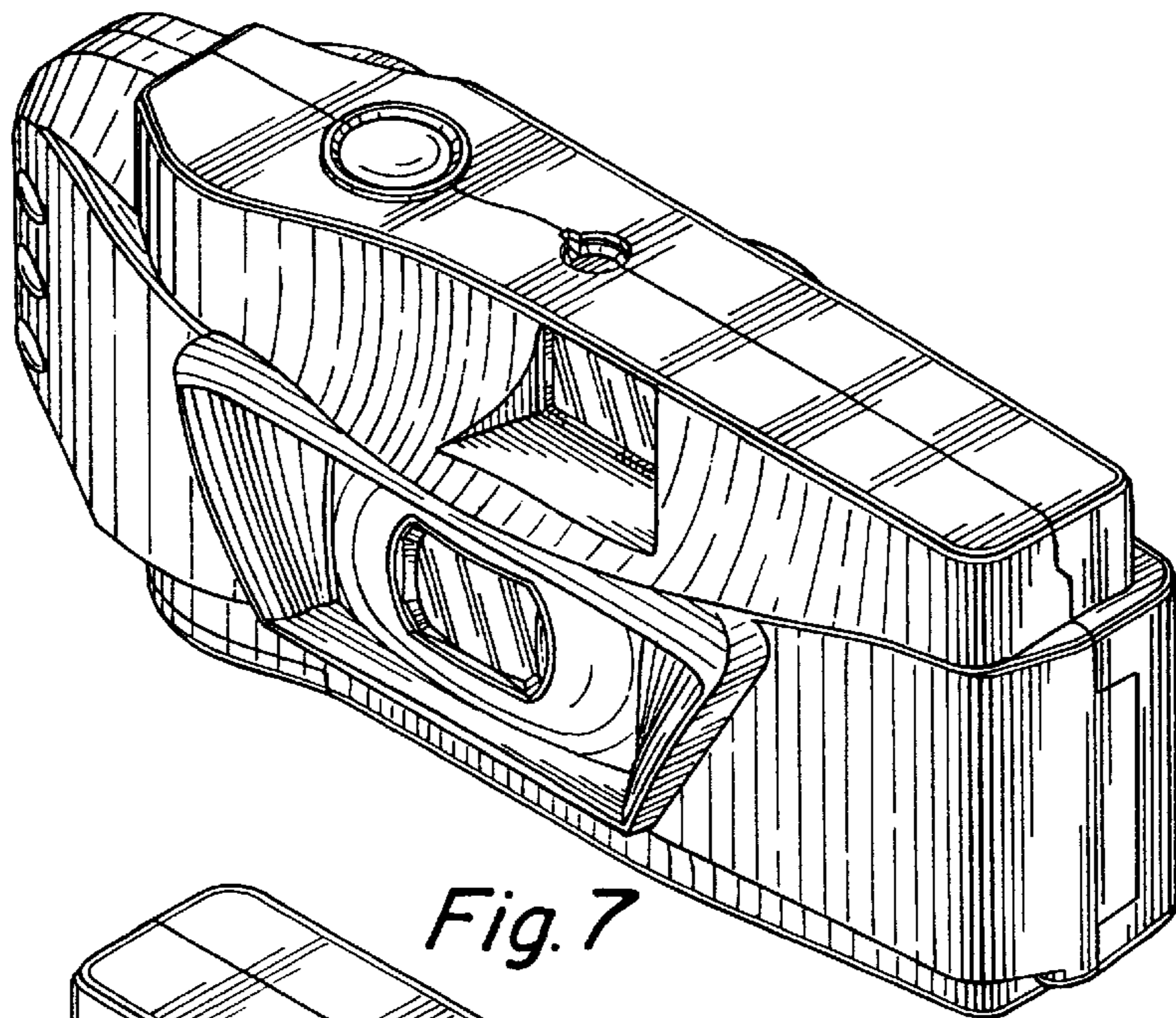


Fig. 7

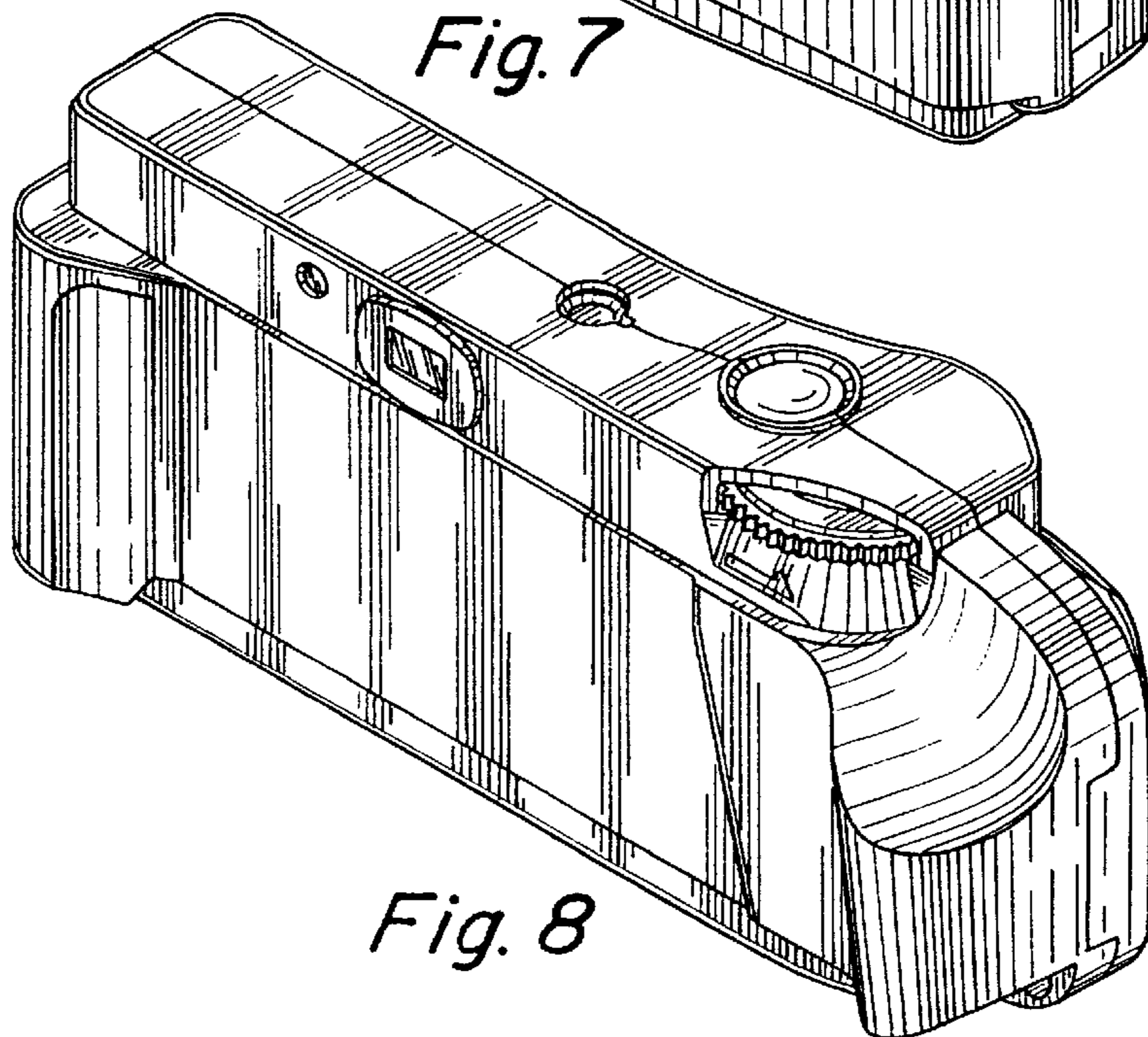


Fig. 8

UNITED STATES PATENT AND TRADEMARK OFFICE
CERTIFICATE OF CORRECTION

PATENT NO. : Des. 476,352 S
DATED : June 24, 2003
INVENTOR(S) : Ryo Takimura

Page 1 of 1

It is certified that error appears in the above-identified patent and that said Letters Patent is hereby corrected as shown below:

Title page,

Item [30], **Foreign Application Priority Data**, change "Dec. 4," to -- Dec. 7, --

Signed and Sealed this

Seventh Day of October, 2003

A handwritten signature in black ink, appearing to read "James E. Rogan", written over a horizontal line.

JAMES E. ROGAN
Director of the United States Patent and Trademark Office