



US00D476351S

(12) **United States Design Patent**
Onuma

(10) **Patent No.:** **US D476,351 S**

(45) **Date of Patent:** **** Jun. 24, 2003**

(54) **CAMERA**

D438,228 S * 2/2001 Hamamura D16/209

(75) Inventor: **Koki Onuma**, Tokyo (JP)

FOREIGN PATENT DOCUMENTS

(73) Assignee: **Pentax Corporation**, Tokyo (JP)

JP D1099144 1/2001

(**) Term: **14 Years**

* cited by examiner

(21) Appl. No.: **29/165,566**

Primary Examiner—Adir Aronovich

(22) Filed: **Aug. 14, 2002**

(74) *Attorney, Agent, or Firm*—Sughrue Mion, PLLC

(30) **Foreign Application Priority Data**

(57) **CLAIM**

Feb. 15, 2002 (JP) 2002-003663

The ornamental design for a camera, as shown and described.

(51) **LOC (7) Cl.** **16-01**

DESCRIPTION

(52) **U.S. Cl.** **D16/209**

FIG. 1 is a perspective view of the front, top and left of a camera showing my new design;

(58) **Field of Search** D16/200–206,
D16/208, 209, 212, 218; 396/535–541

FIG. 2 is a top plan view thereof;

FIG. 3 is a front elevational view thereof;

FIG. 4 is a right side elevational view thereof;

FIG. 5 is a left side elevational view thereof;

FIG. 6 is a bottom plan view thereof;

FIG. 7 is a rear elevational view thereof; and,

FIG. 8 is a perspective view similar to FIG. 1 but with the lens extended.

(56) **References Cited**

U.S. PATENT DOCUMENTS

- 5,519,466 A * 5/1996 Arai 396/106
- D381,350 S * 7/1997 Hamamura D16/209
- D404,750 S * 1/1999 Koinuma D16/209
- D412,004 S * 7/1999 Hamamura D16/209
- D416,034 S * 11/1999 Hayamizu D16/209

1 Claim, 5 Drawing Sheets

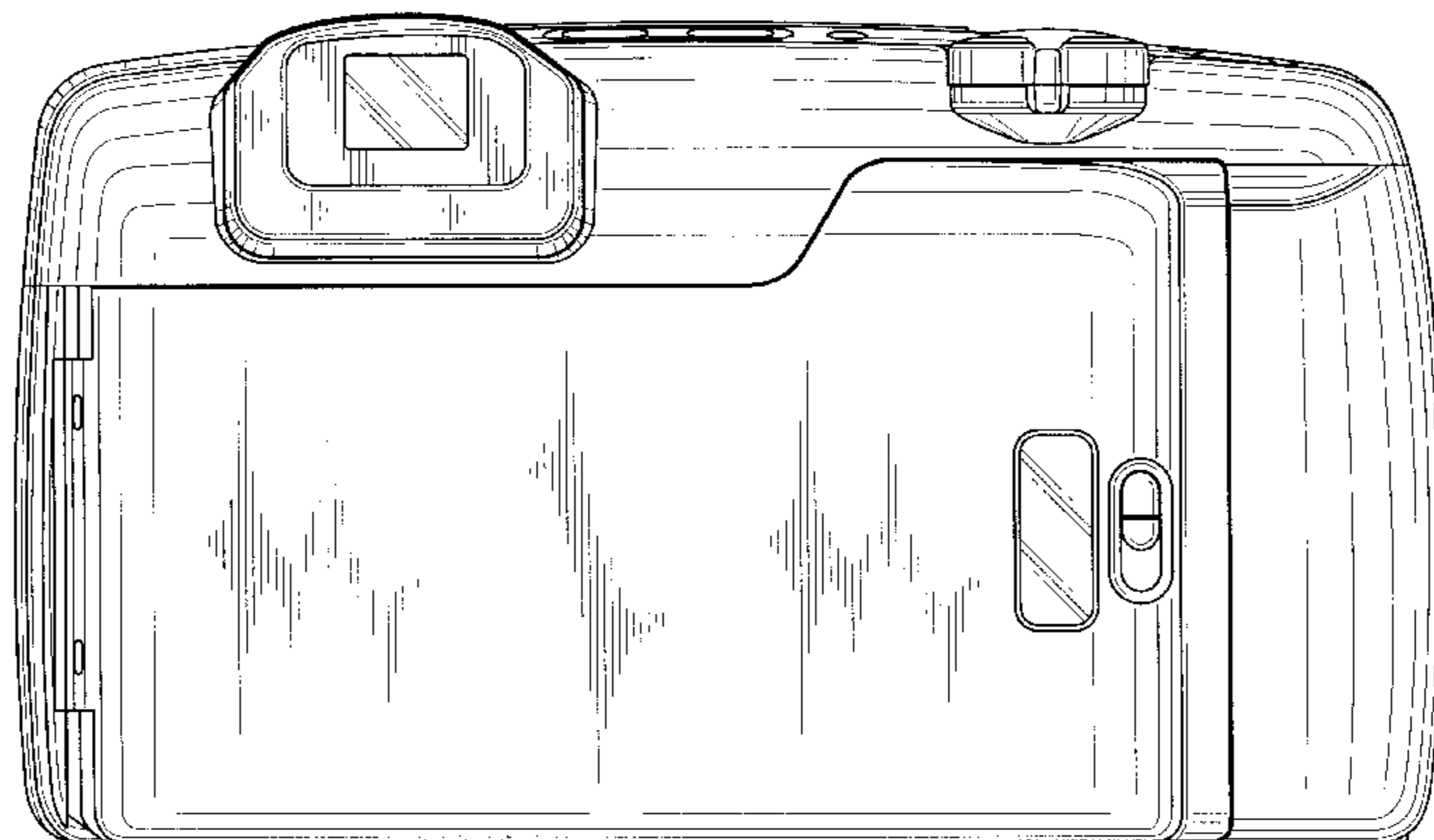
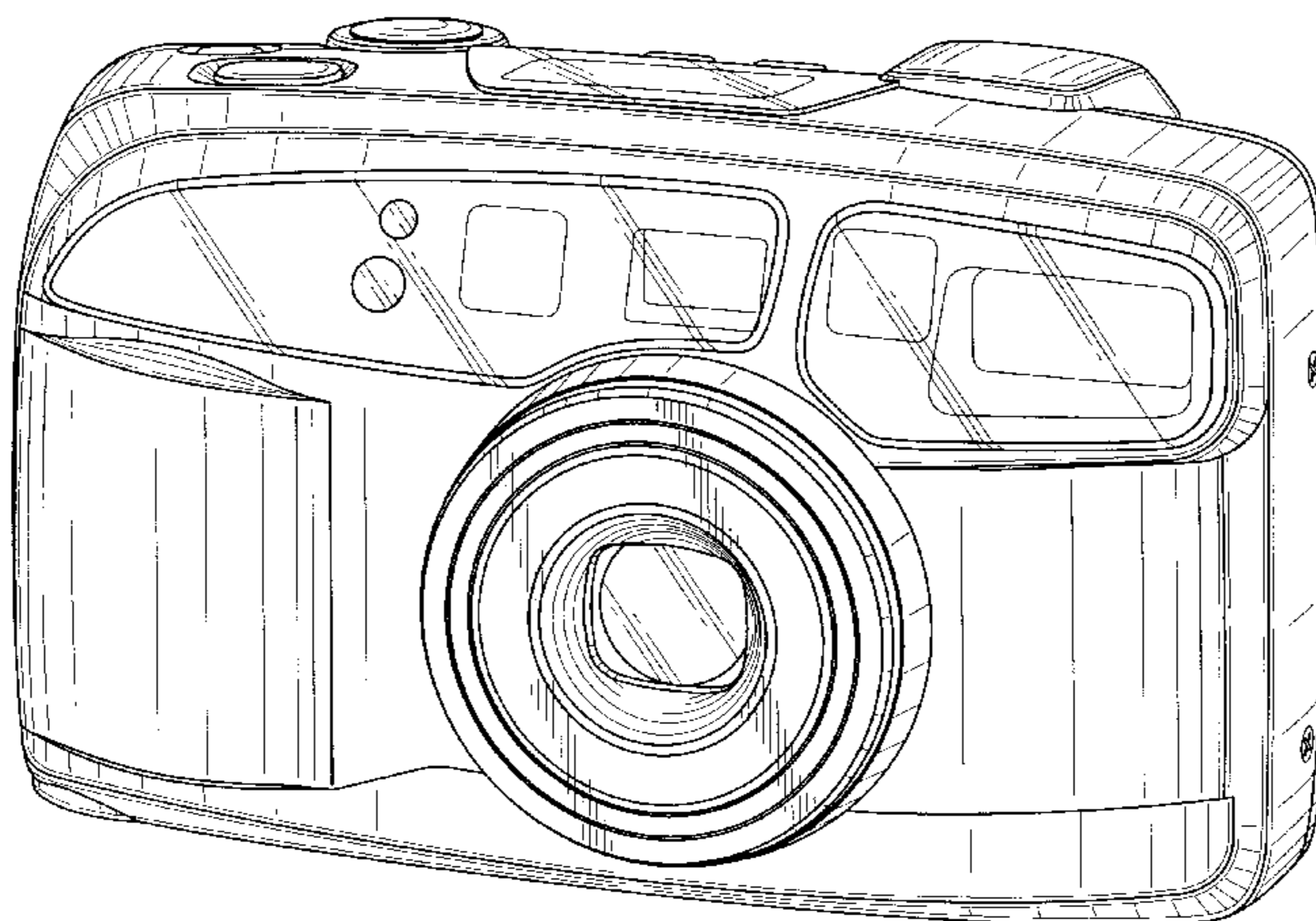


FIG. 1

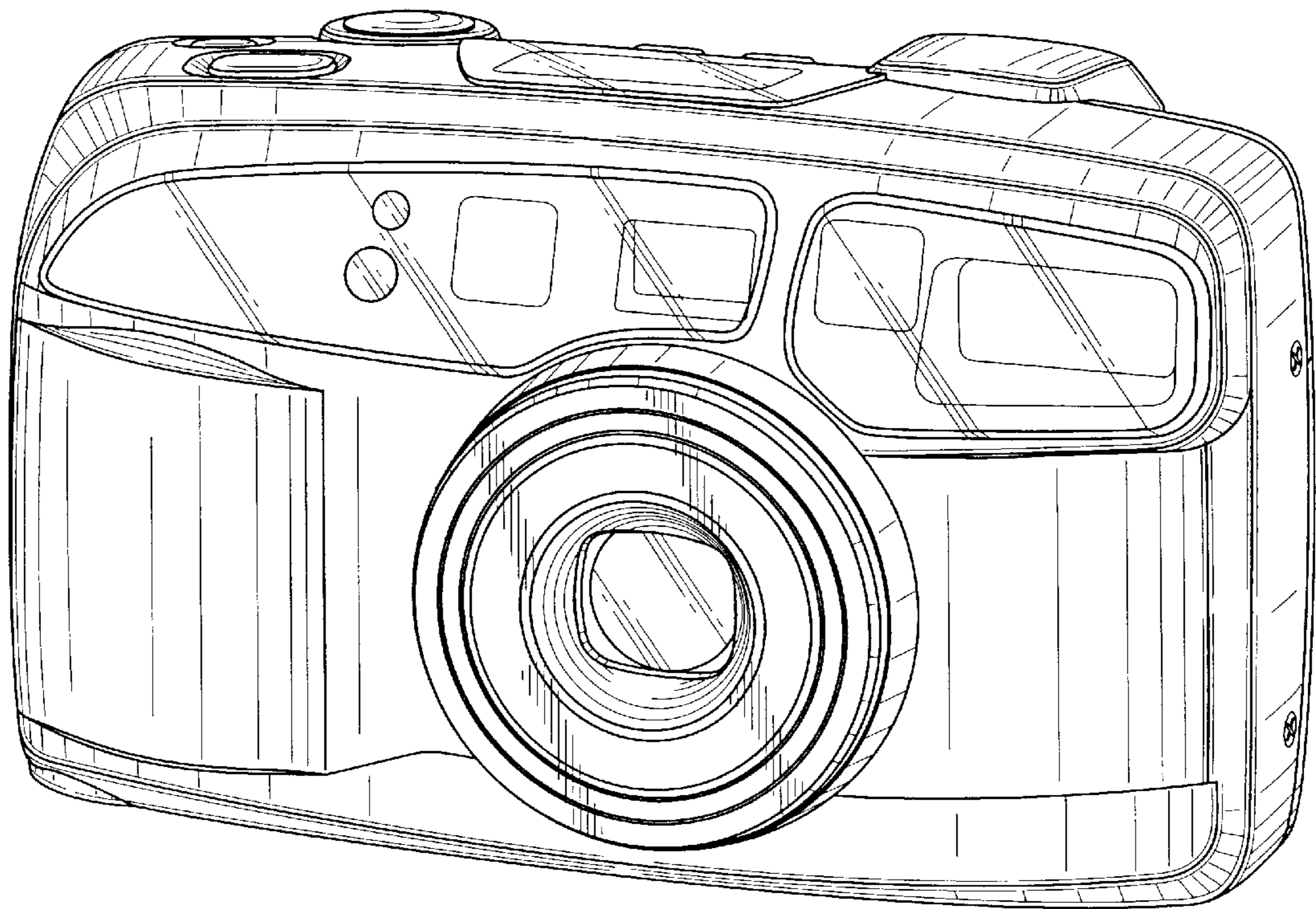


FIG. 2

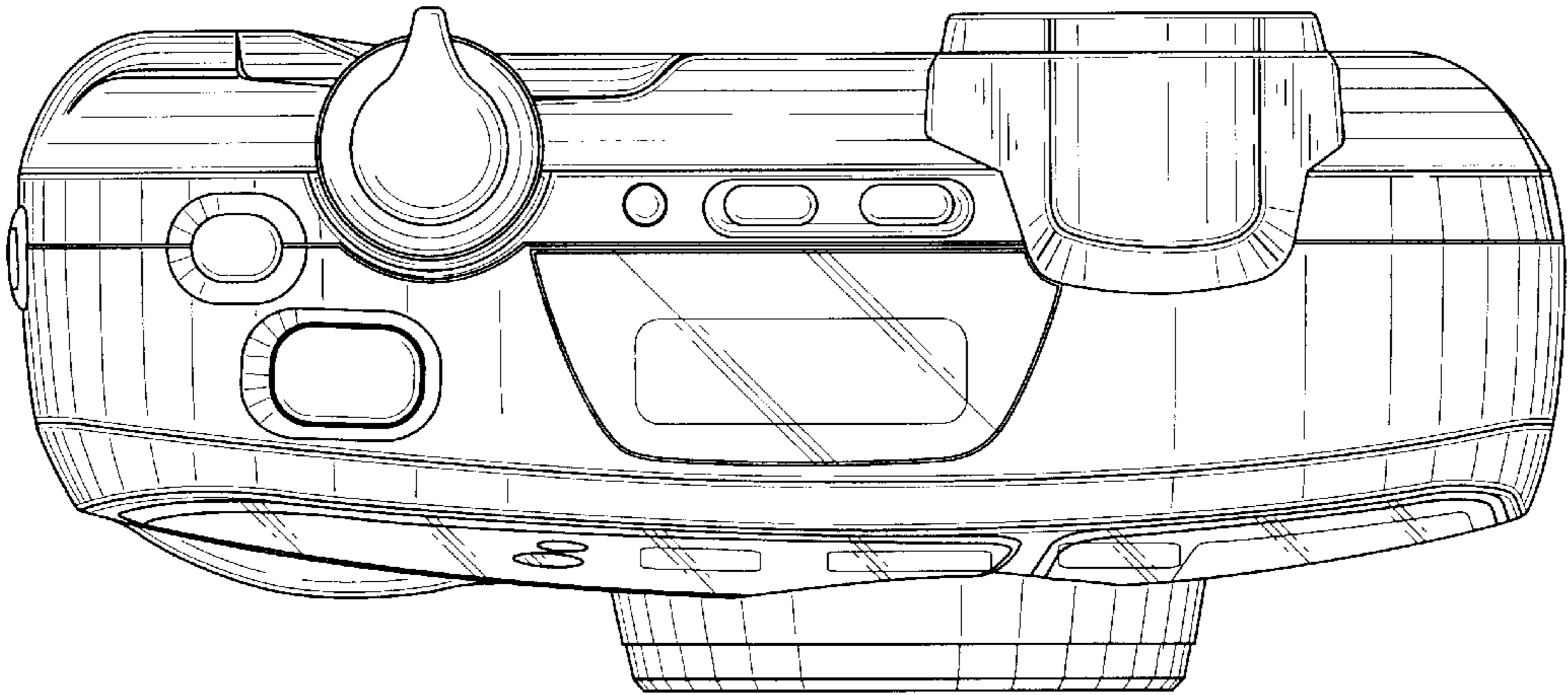


FIG. 3

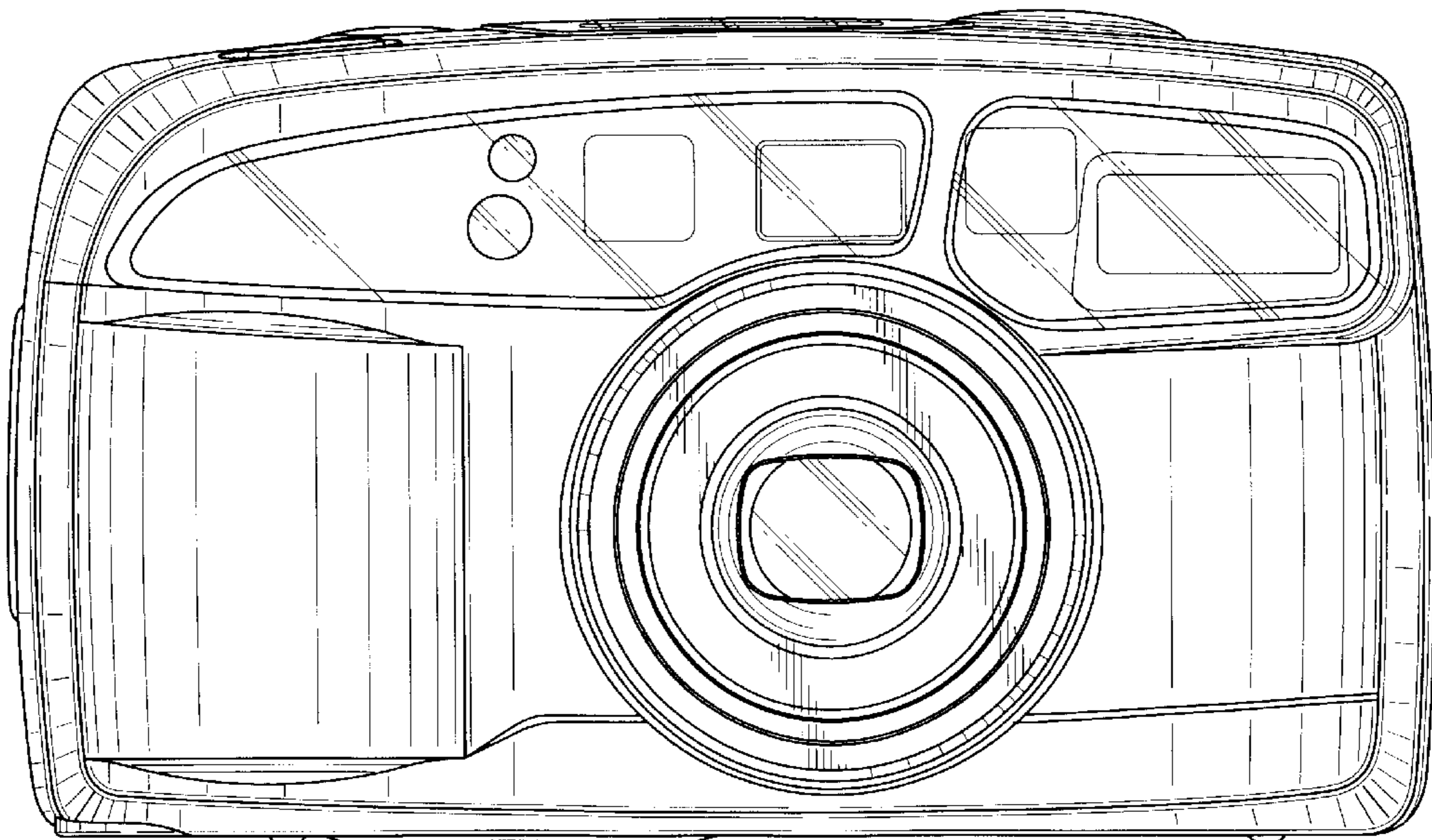


FIG. 4

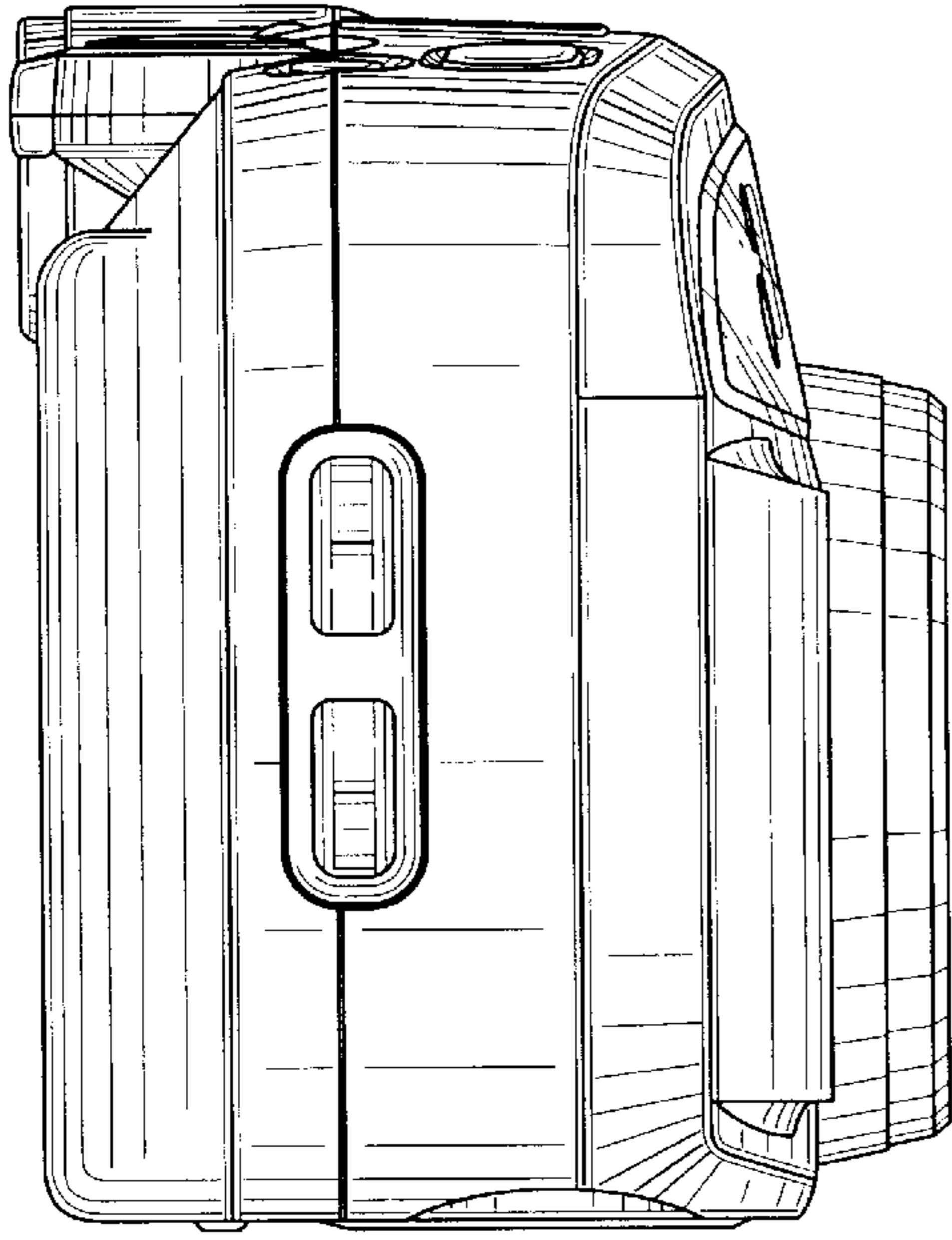


FIG. 5

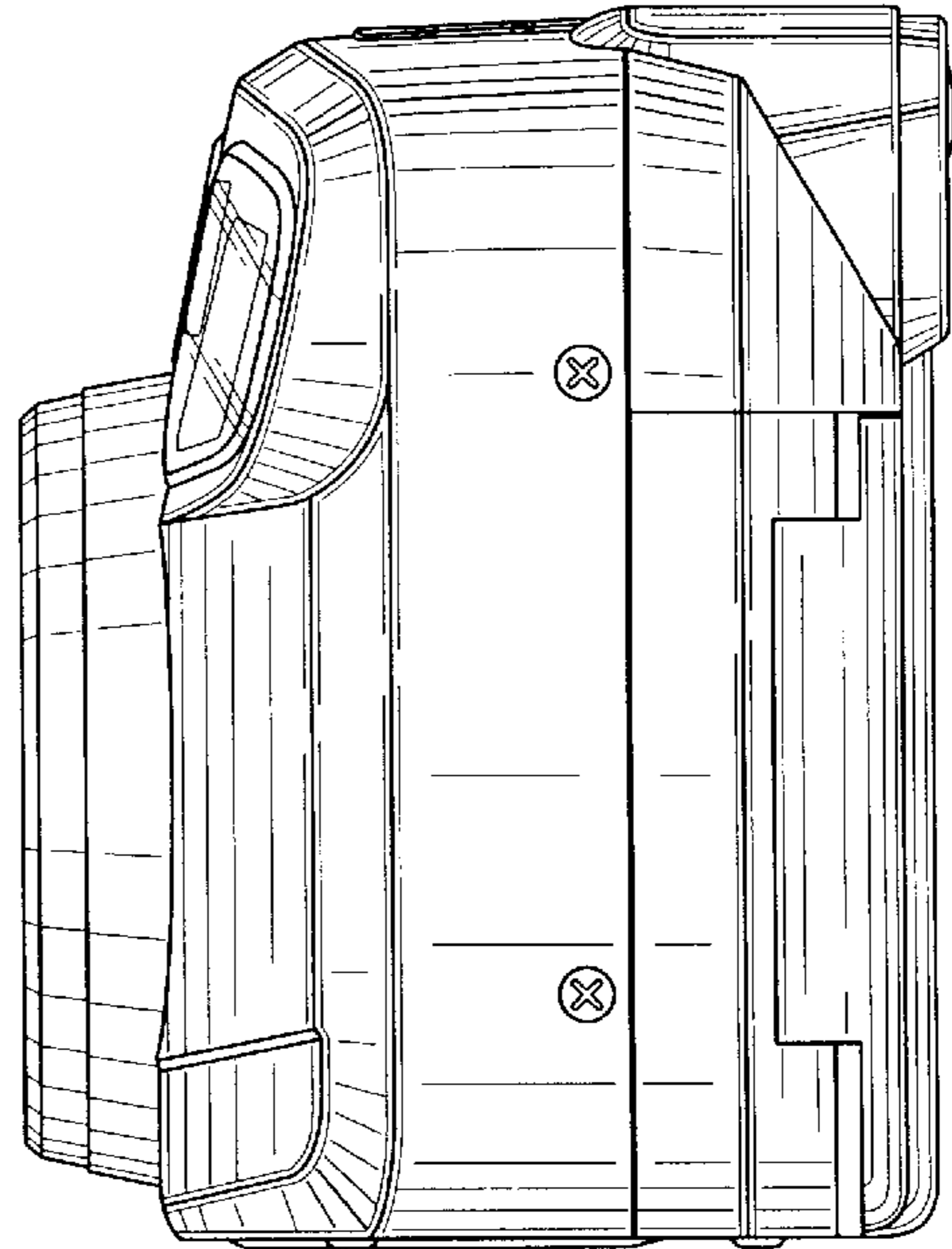


FIG. 6

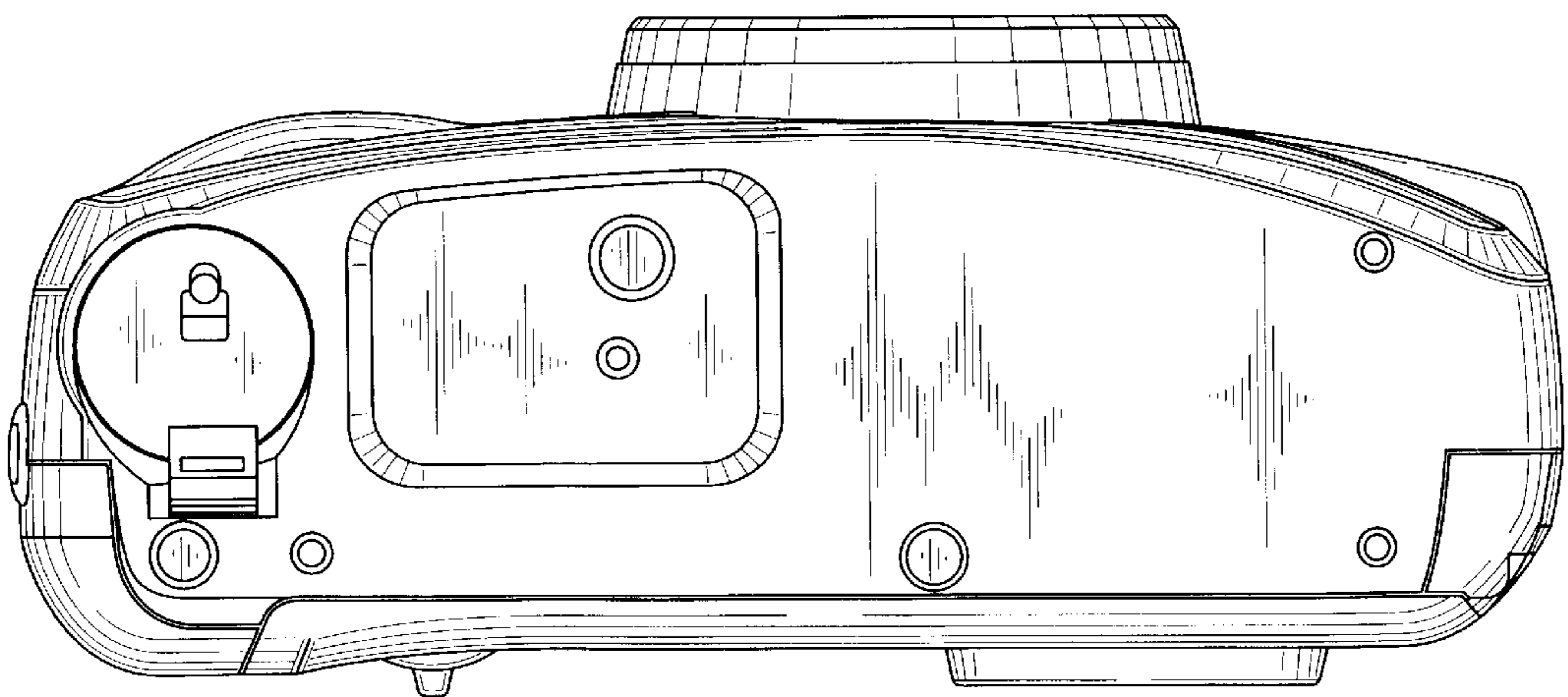


FIG. 7

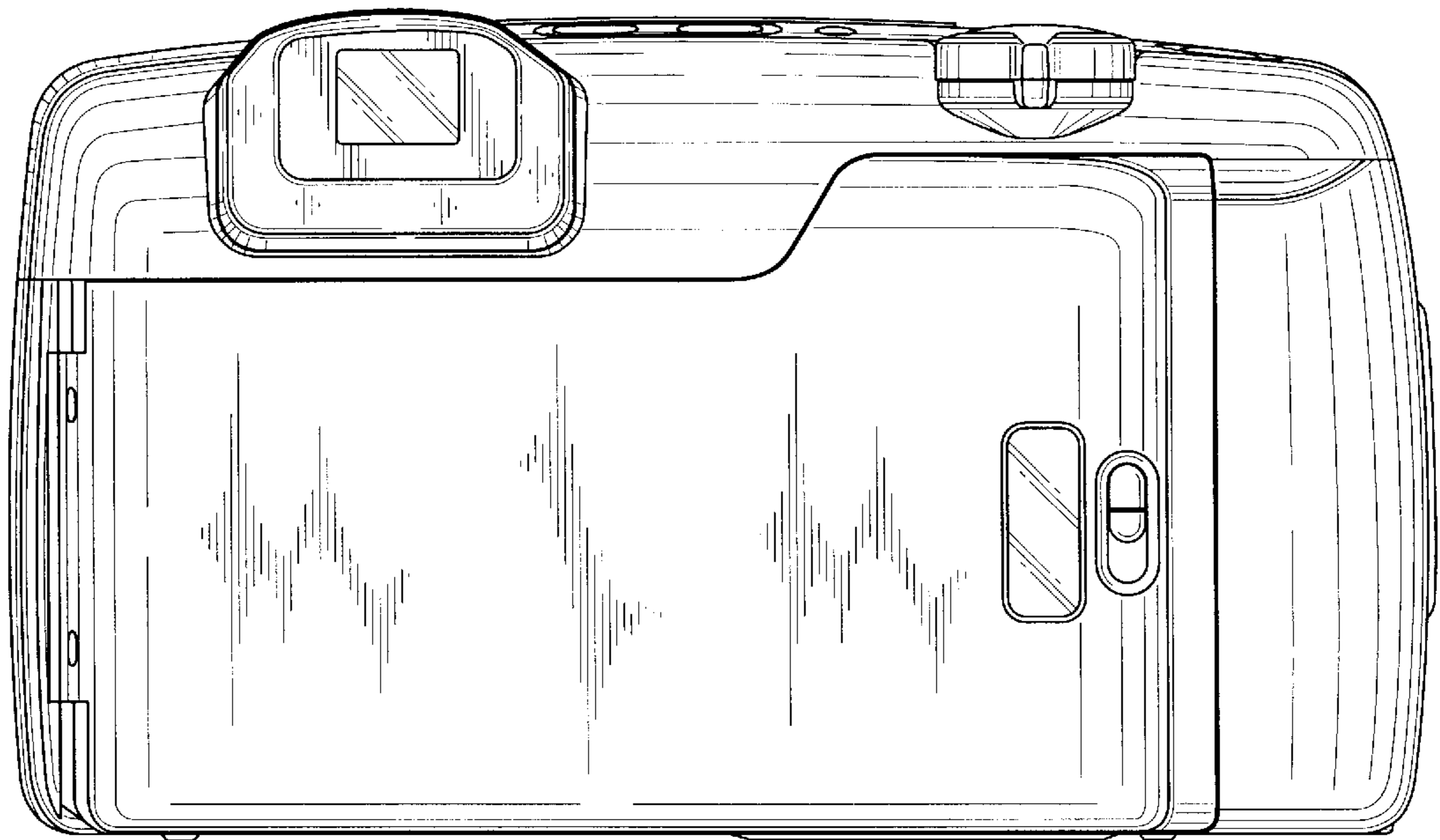


FIG. 8

