



US00D476346S

(12) **United States Design Patent**
Fujii

(10) **Patent No.:** **US D476,346 S**

(45) **Date of Patent:** **** Jun. 24, 2003**

(54) **COMBINED BINOCULARS AND DIGITAL CAMERA**

(75) Inventor: **Akio Fujii**, Tokyo (JP)

(73) Assignee: **Pentax Corporation**, Tokyo (JP)

(**) Term: **14 Years**

(21) Appl. No.: **29/165,054**

(22) Filed: **Aug. 6, 2002**

(30) **Foreign Application Priority Data**

Feb. 8, 2002 (JP) 2002-003168

(51) **LOC (7) Cl.** **16-01**

(52) **U.S. Cl.** **D16/208; D16/133**

(58) **Field of Search** D16/133, 200,
D16/202, 203, 208, 210, 212, 213; 396/429,
432; 359/480, 481

(56) **References Cited**

U.S. PATENT DOCUMENTS

D259,569 S * 6/1981 Nishioka D16/133
D262,632 S * 1/1982 Yamazaki D16/208
5,506,726 A * 4/1996 Tahira 359/480

D409,212 S * 5/1999 Omino D16/133
D411,848 S * 7/1999 Maruska et al. D16/202
D439,260 S * 3/2001 Matsushita D16/133
D439,593 S * 3/2001 Enderby et al. D16/213
6,330,401 B1 * 12/2001 Greene 396/432
D453,174 S * 1/2002 Koinuma D16/133

* cited by examiner

Primary Examiner—Adir Aronovich

(74) *Attorney, Agent, or Firm*—Sughrue Mion, PLLC

(57) **CLAIM**

The ornamental design for a combined binoculars and digital camera, as shown.

DESCRIPTION

FIG. 1 is a perspective view of the top, front and right side of a combined binoculars and digital camera showing my new design;

FIG. 2 is a front elevational view thereof;

FIG. 3 is a rear elevational view thereof;

FIG. 4 is a right side elevational view thereof;

FIG. 5 is a left side elevational view thereof;

FIG. 6 is a top plan view thereof; and,

FIG. 7 is a bottom plan view thereof.

1 Claim, 3 Drawing Sheets

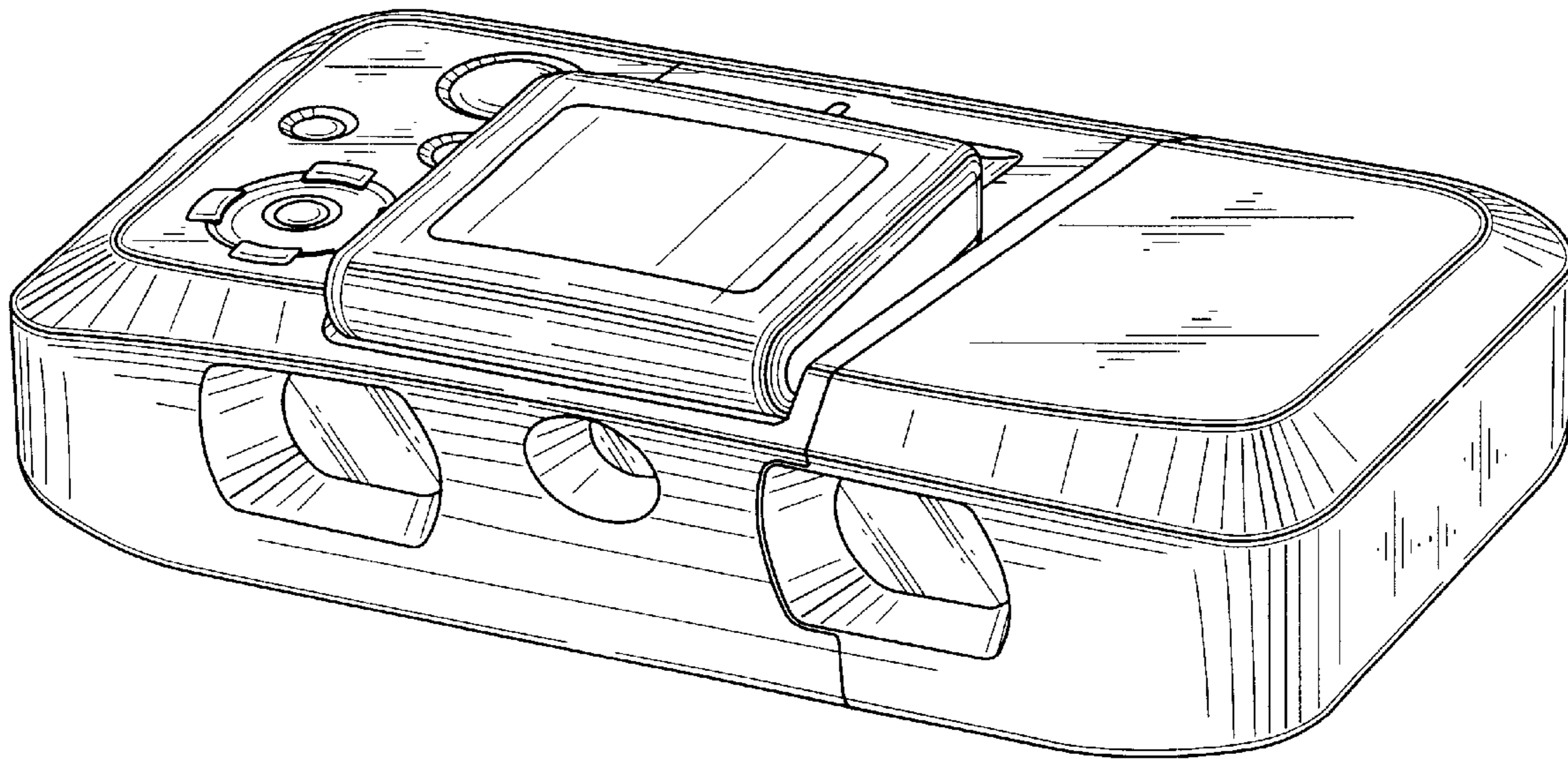


FIG. 1

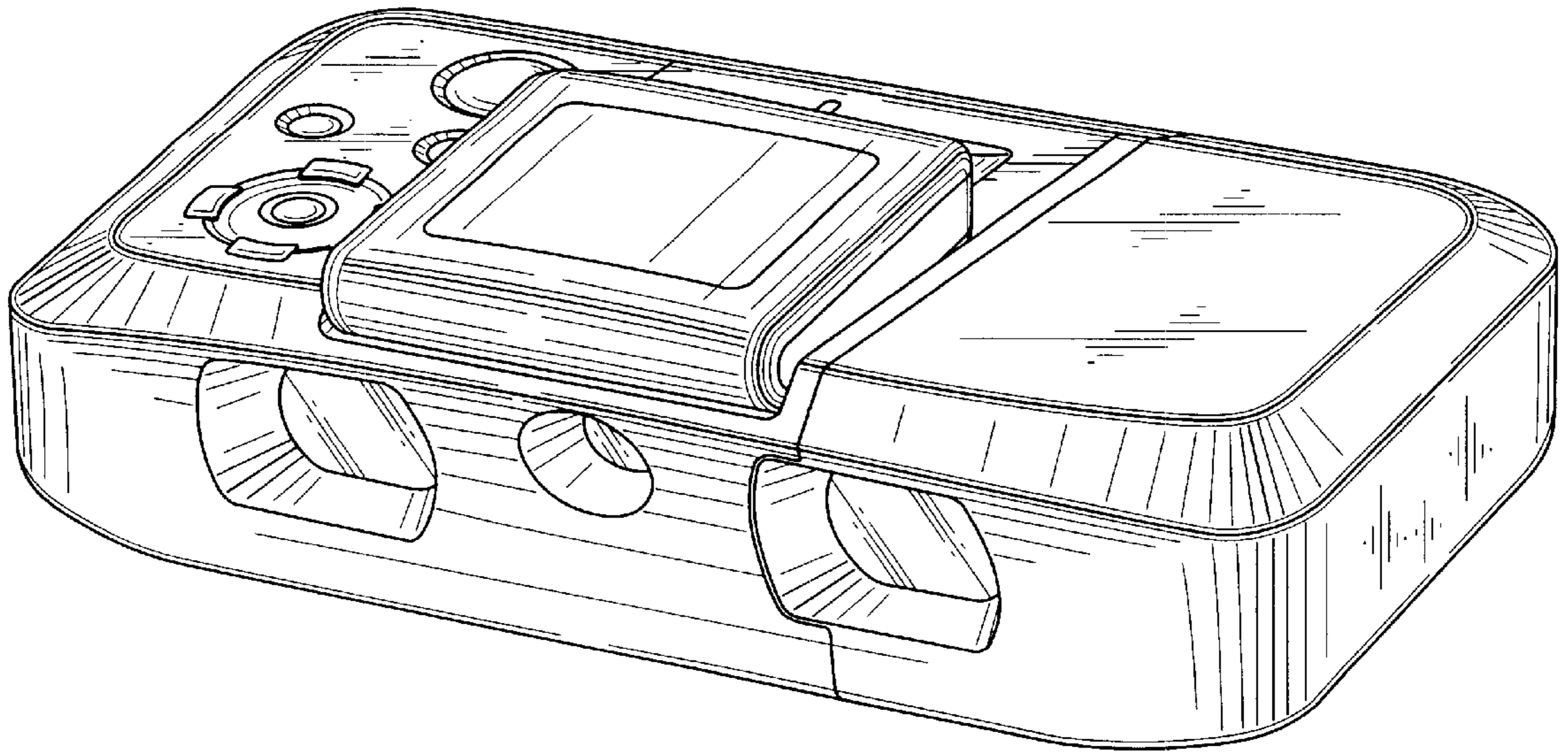


FIG. 2

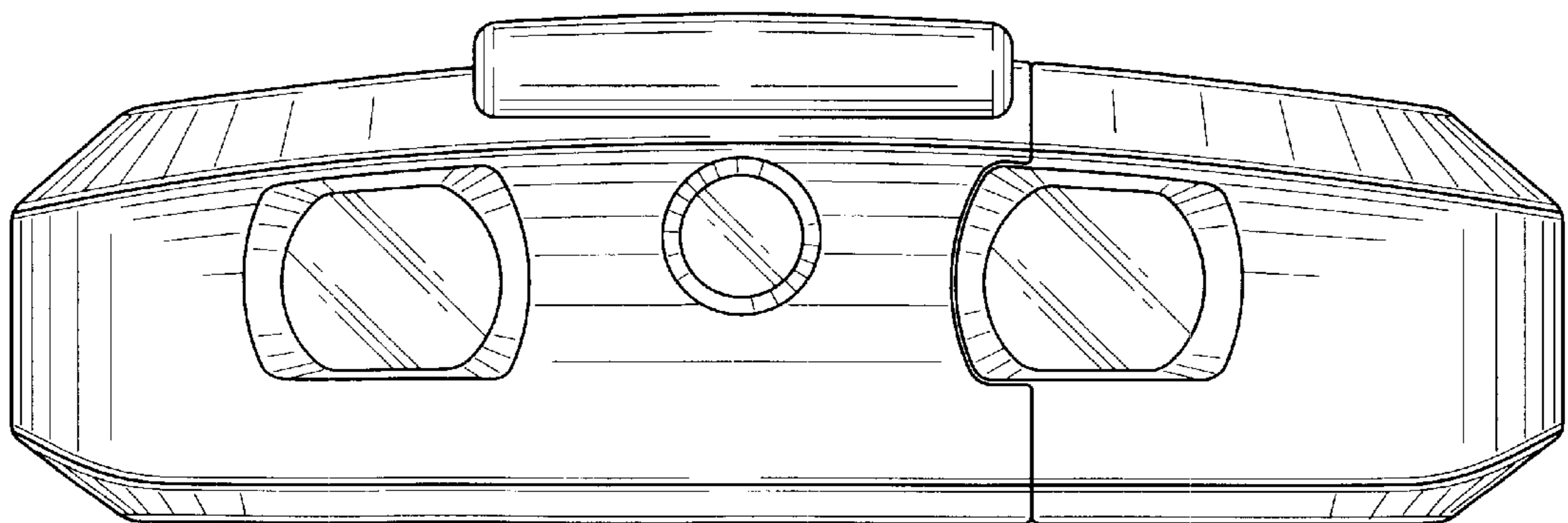


FIG. 3

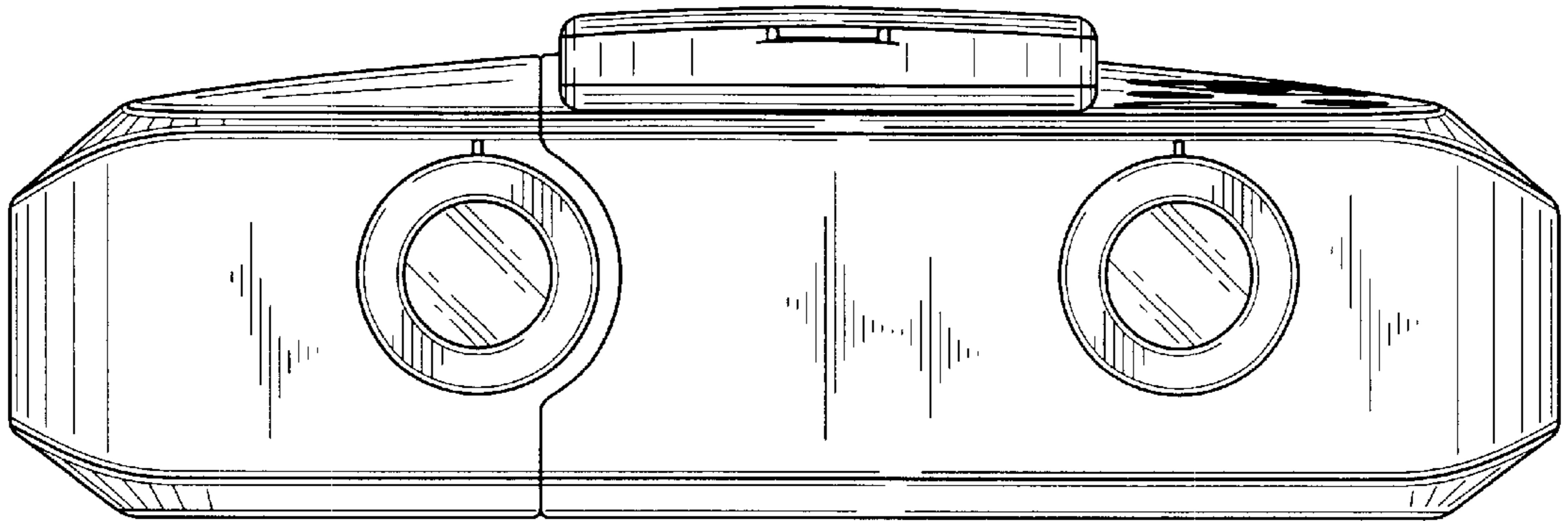


FIG. 4

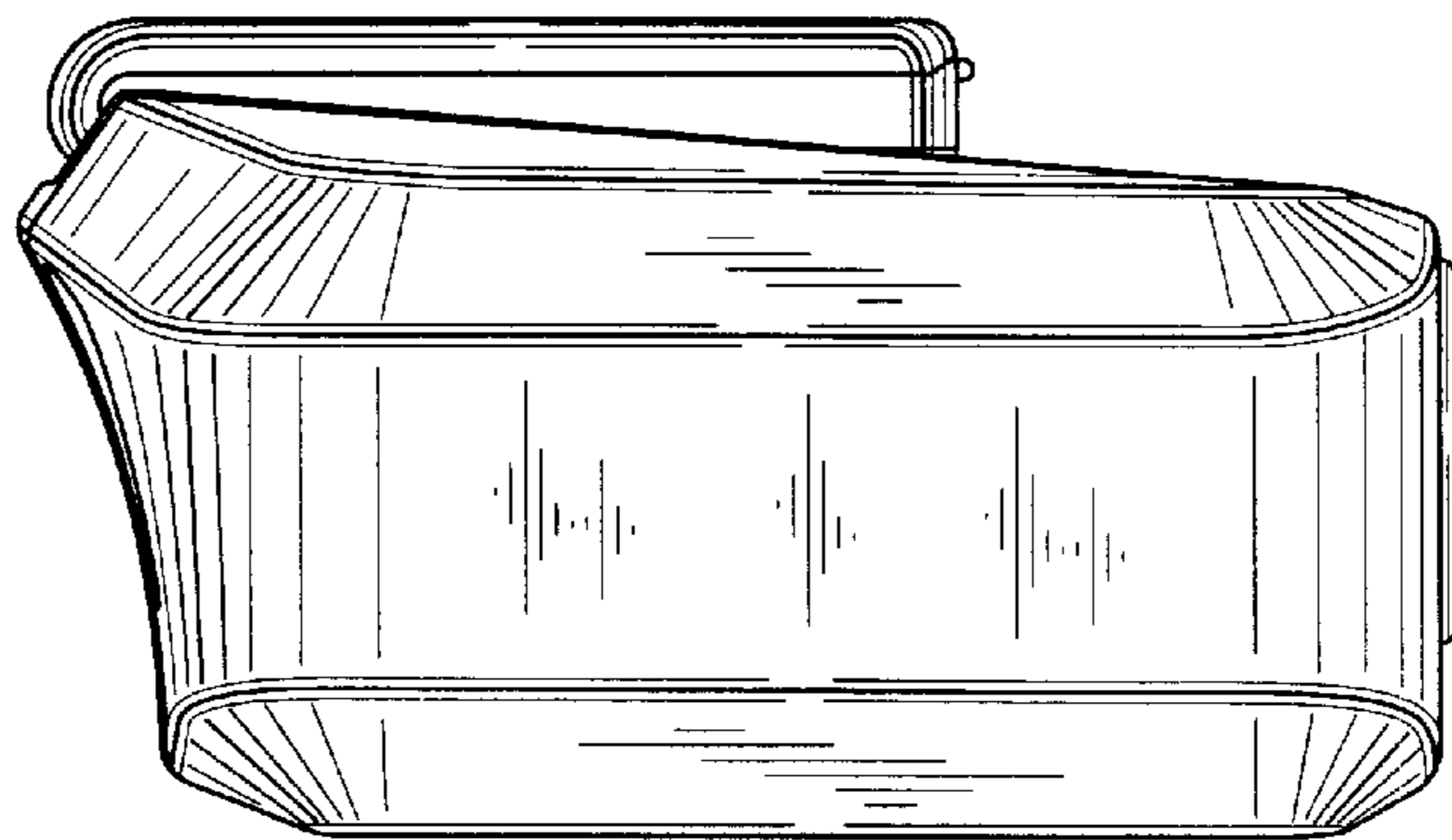


FIG. 5

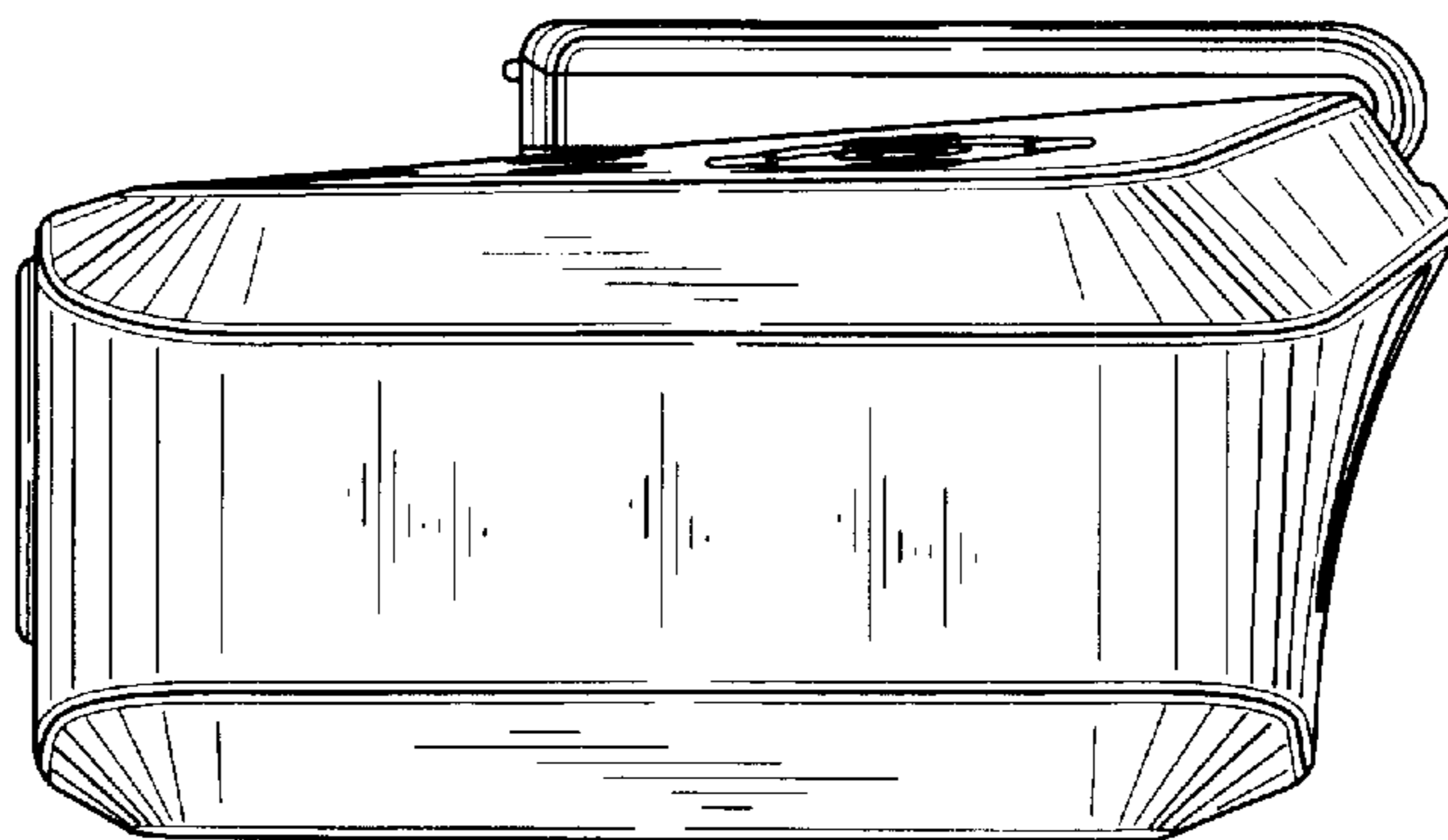


FIG. 6

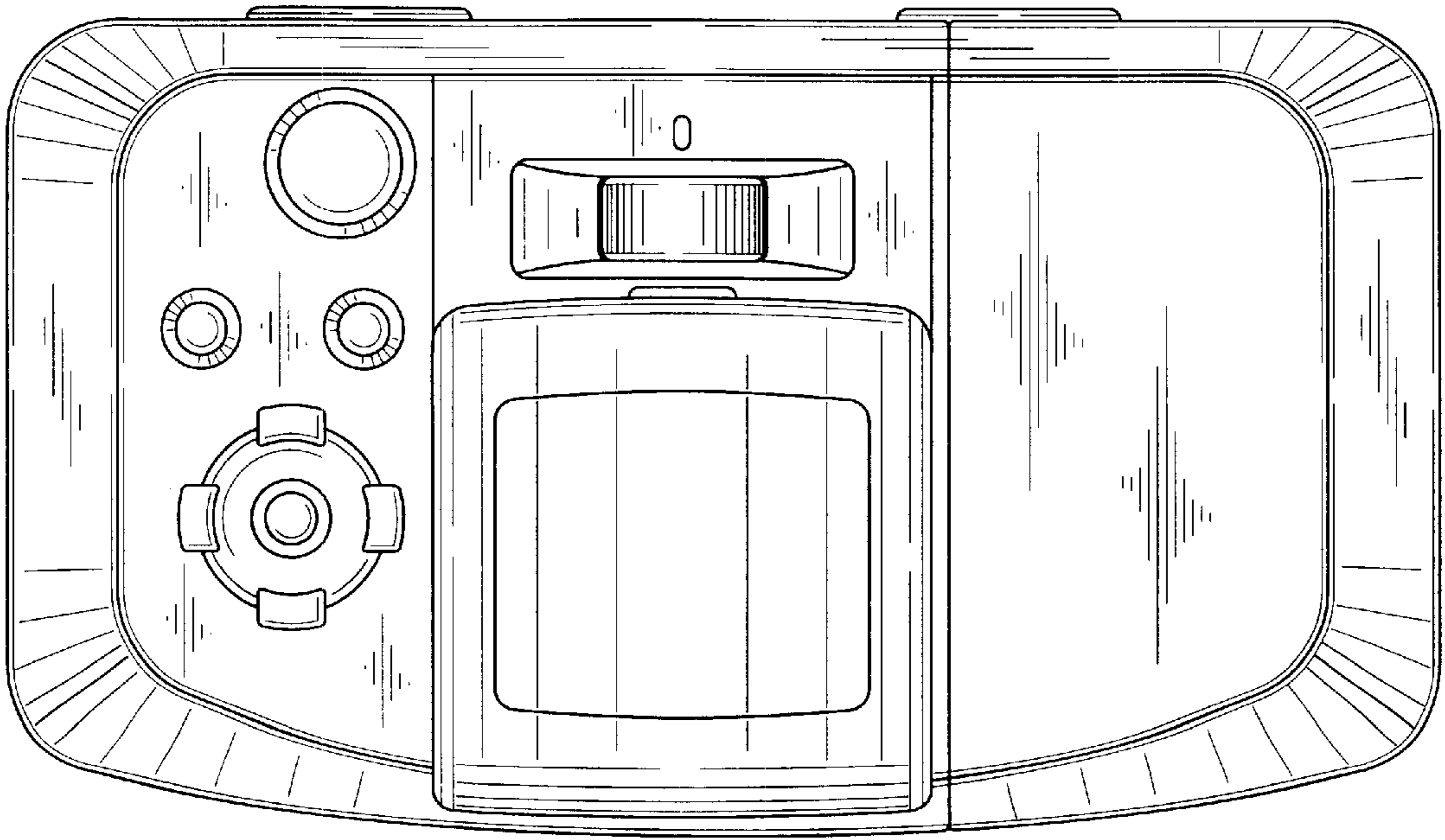


FIG. 7

