



US00D476345S

(12) **United States Design Patent**  
**Phelps et al.**

(10) **Patent No.:** **US D476,345 S**  
(45) **Date of Patent:** **\*\* Jun. 24, 2003**

(54) **VIDEO CAMERA**

(75) Inventors: **Daniel R. Phelps**, Peabody, MA (US);  
**Teresa M. Drummey**, Wilmington, MA  
(US); **Anthony M. Duys**, Merrimac,  
MA (US); **Scott H. Wakefield**,  
Andover, MA (US); **Benjamin Misrahi**,  
Watertown, MA (US)

(73) Assignee: **Polycom, Inc.**, Milpitas, CA (US)

(\*\*) Term: **14 Years**

(21) Appl. No.: **29/167,214**

(22) Filed: **Sep. 9, 2002**

(51) **LOC (7) Cl.** ..... **16-01**

(52) **U.S. Cl.** ..... **D16/202**

(58) **Field of Search** ..... D16/200-205,  
D16/208, 218; 348/14.01-14.16, 373-376;  
396/419, 427, 535-541

(56) **References Cited**

**U.S. PATENT DOCUMENTS**

D374,023 S \* 9/1996 Beck et al. .... D16/202  
D387,789 S \* 12/1997 Sumida et al. .... D16/202

D394,274 S \* 5/1998 Suzuki ..... D16/202  
D400,549 S \* 11/1998 Wakefield ..... D16/202  
5,900,907 A \* 5/1999 Malloy et al. .... 348/14.1  
D433,431 S \* 11/2000 Uehara et al. .... D16/202

\* cited by examiner

*Primary Examiner*—Adir Aronovich  
(74) *Attorney, Agent, or Firm*—Wong, Cabello, Lutsch,  
Rutherford & Brucculeri, L.L.P.

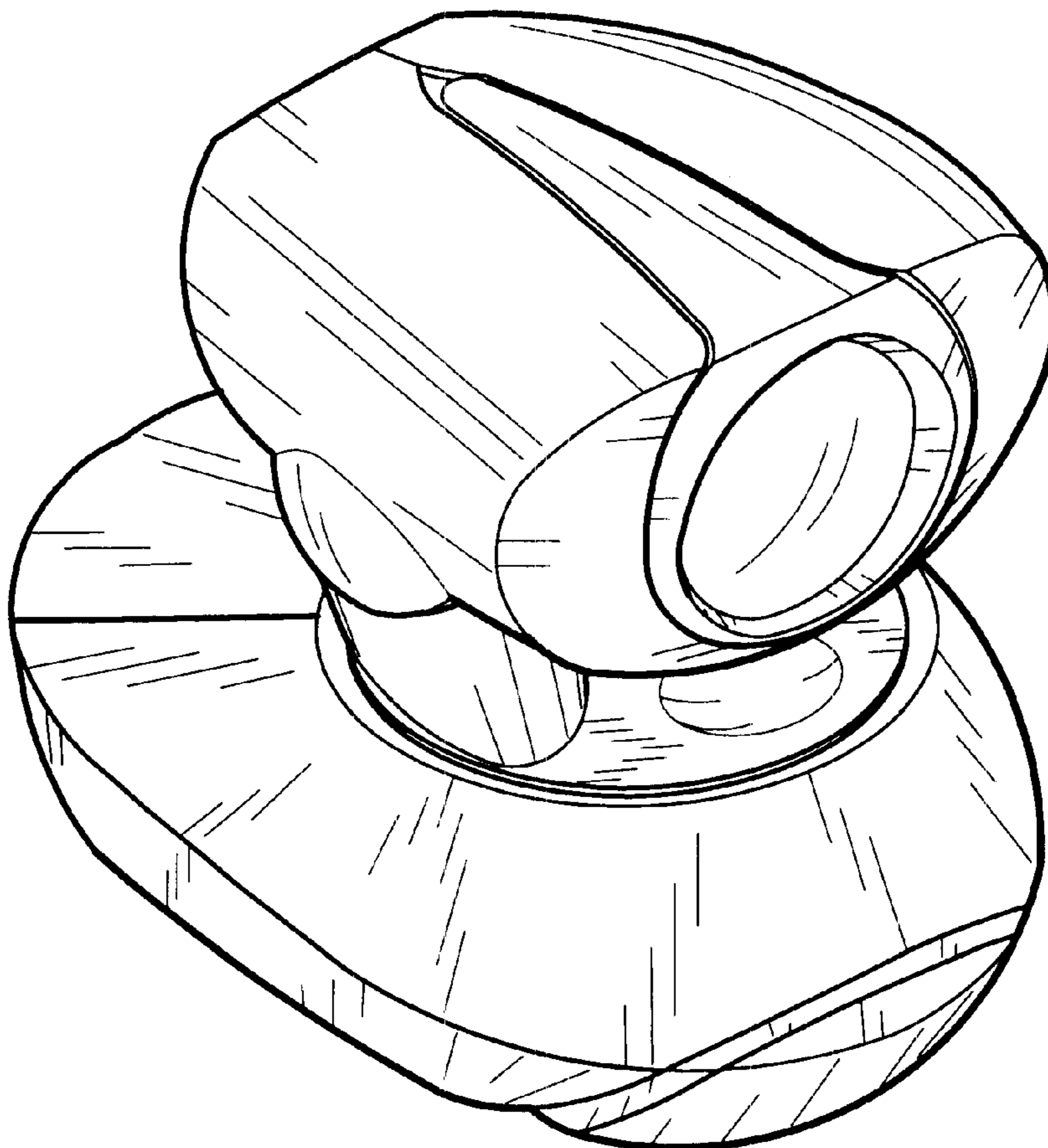
(57) **CLAIM**

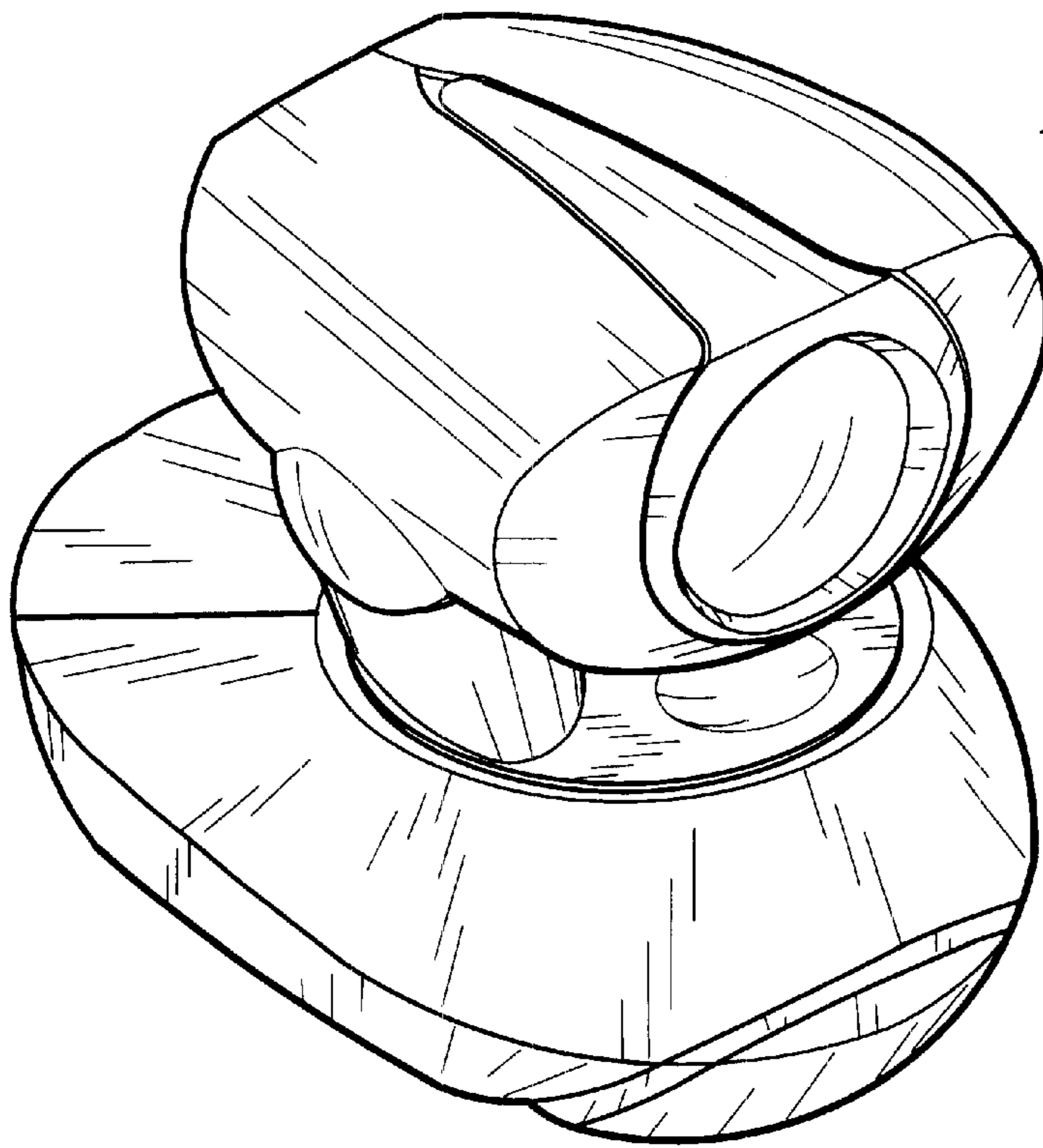
The ornamental design for a video camera, as shown and described.

**DESCRIPTION**

FIG. 1 is a perspective view of a video camera showing the top and left side of our new design;  
FIG. 2 is a perspective view of the video camera of FIG. 1 with the video camera panning to the left side;  
FIG. 3 is a front view of the video camera of FIG. 1;  
FIG. 4 is a left side view of the video camera of FIG. 1;  
FIG. 5 is a right side view of the video camera of FIG. 1;  
FIG. 6 is a rear view of the video camera of FIG. 1;  
FIG. 7 is a top view of the video camera of FIG. 1; and,  
FIG. 8 is a bottom view of the video camera of FIG. 1.

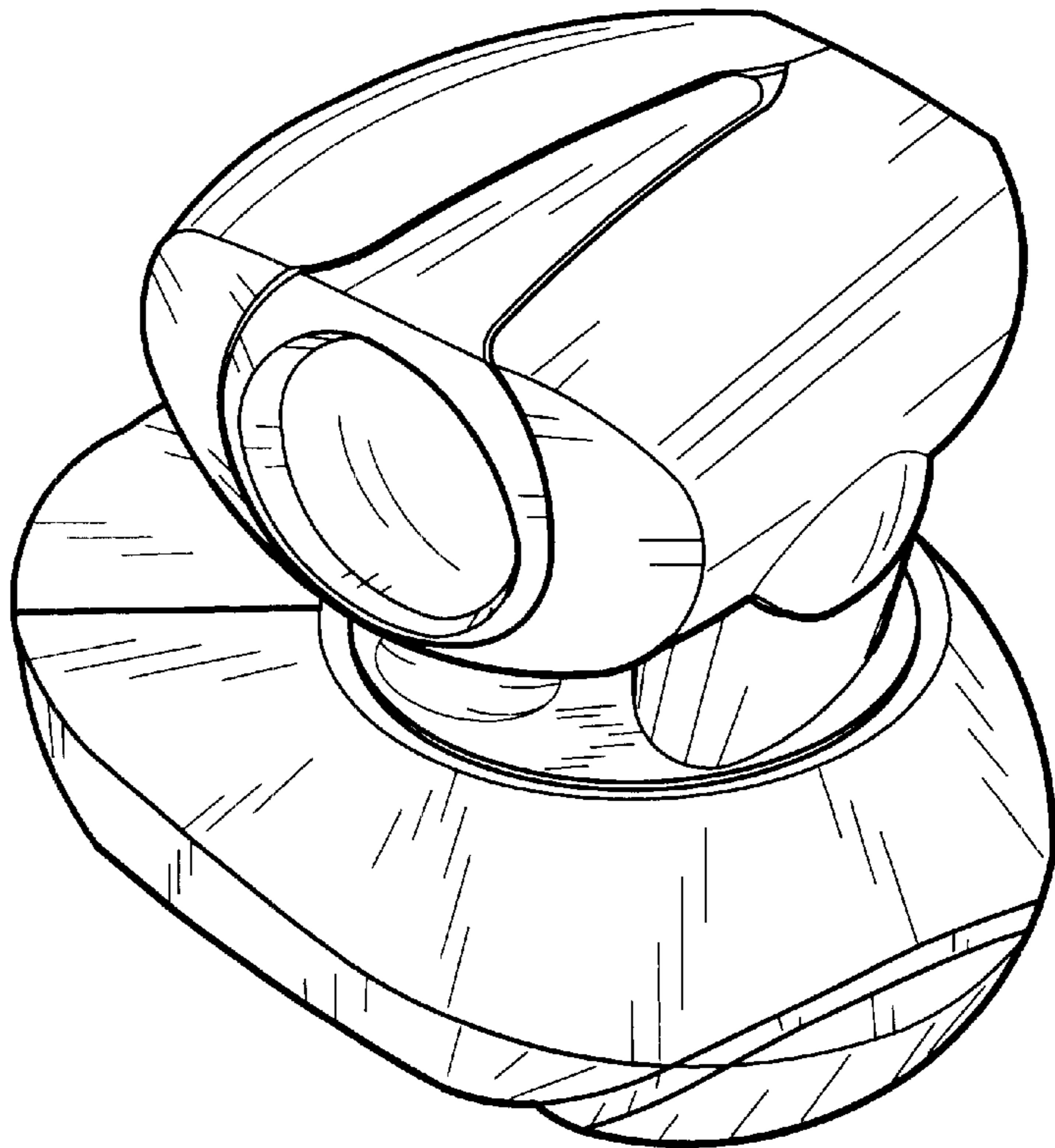
**1 Claim, 4 Drawing Sheets**



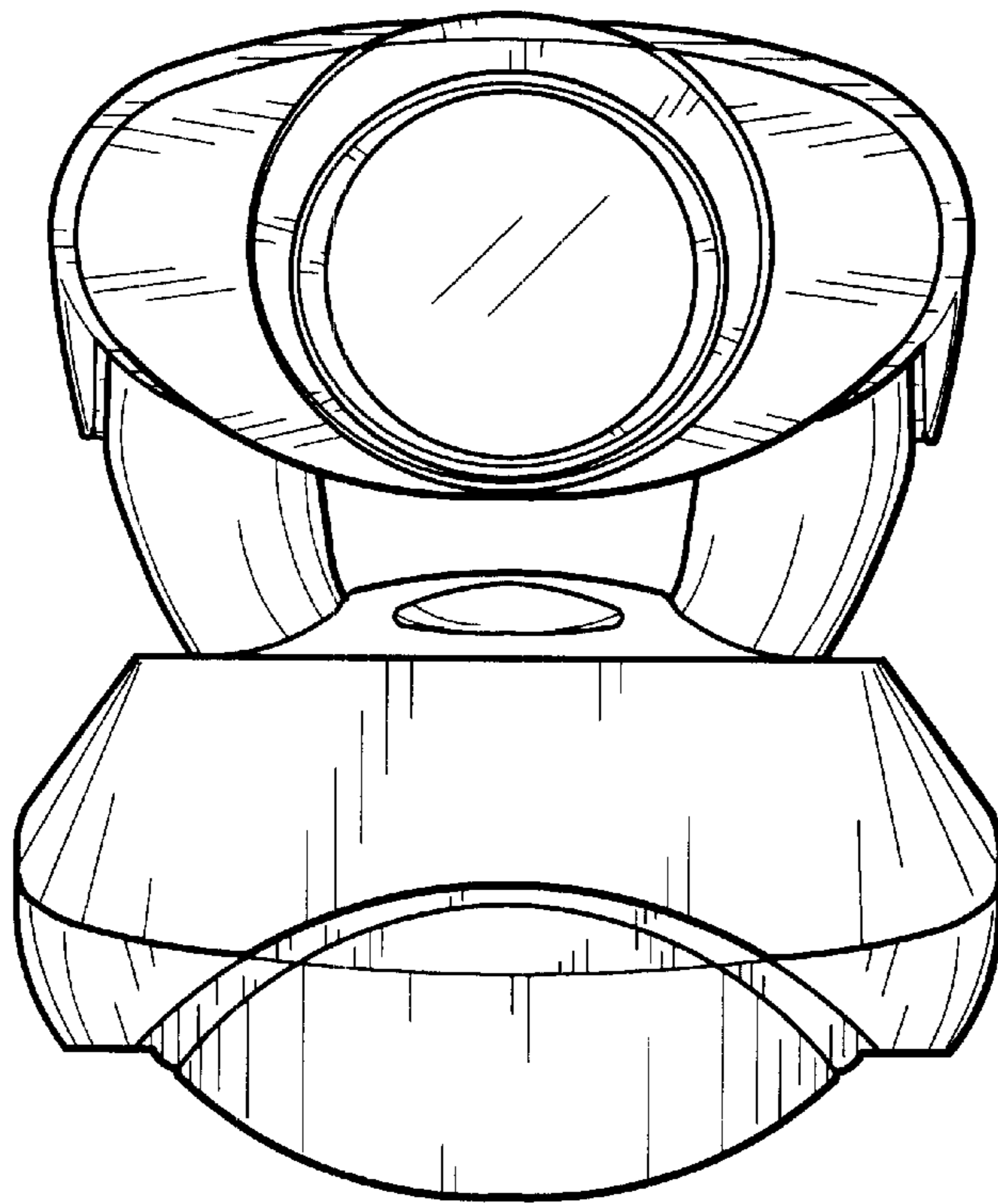


*FIG. 1*

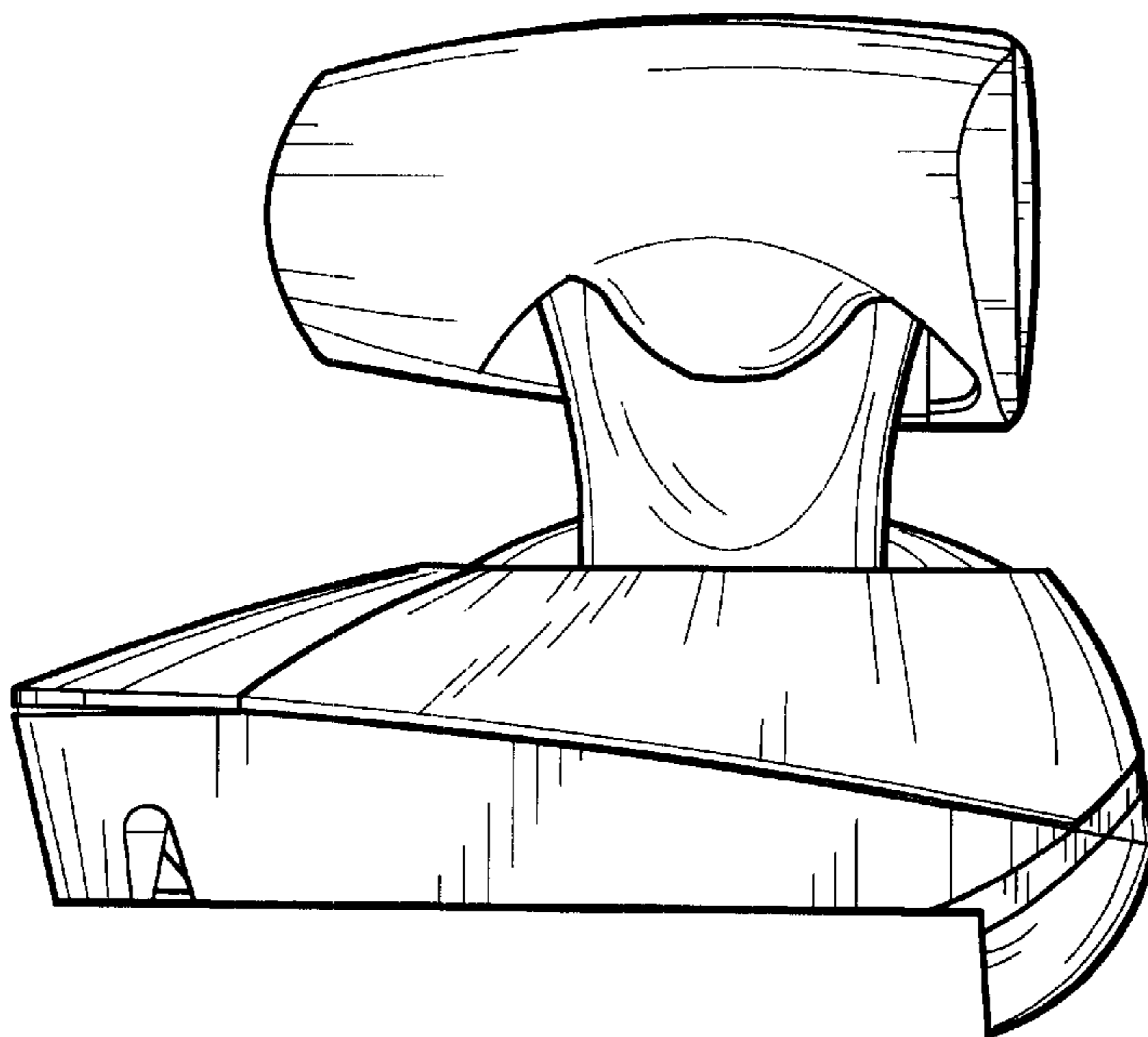
*FIG. 2*



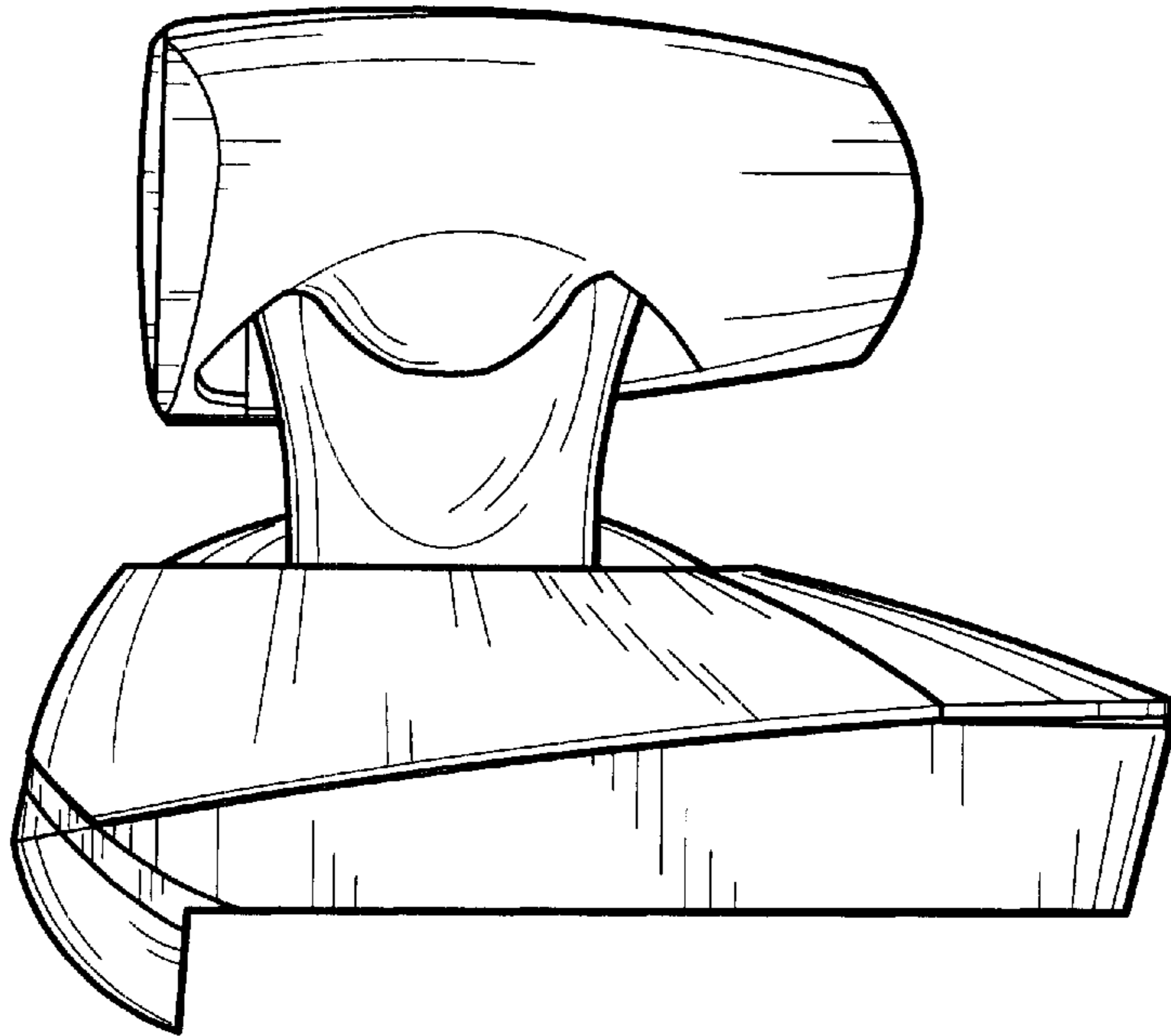
*FIG. 3*



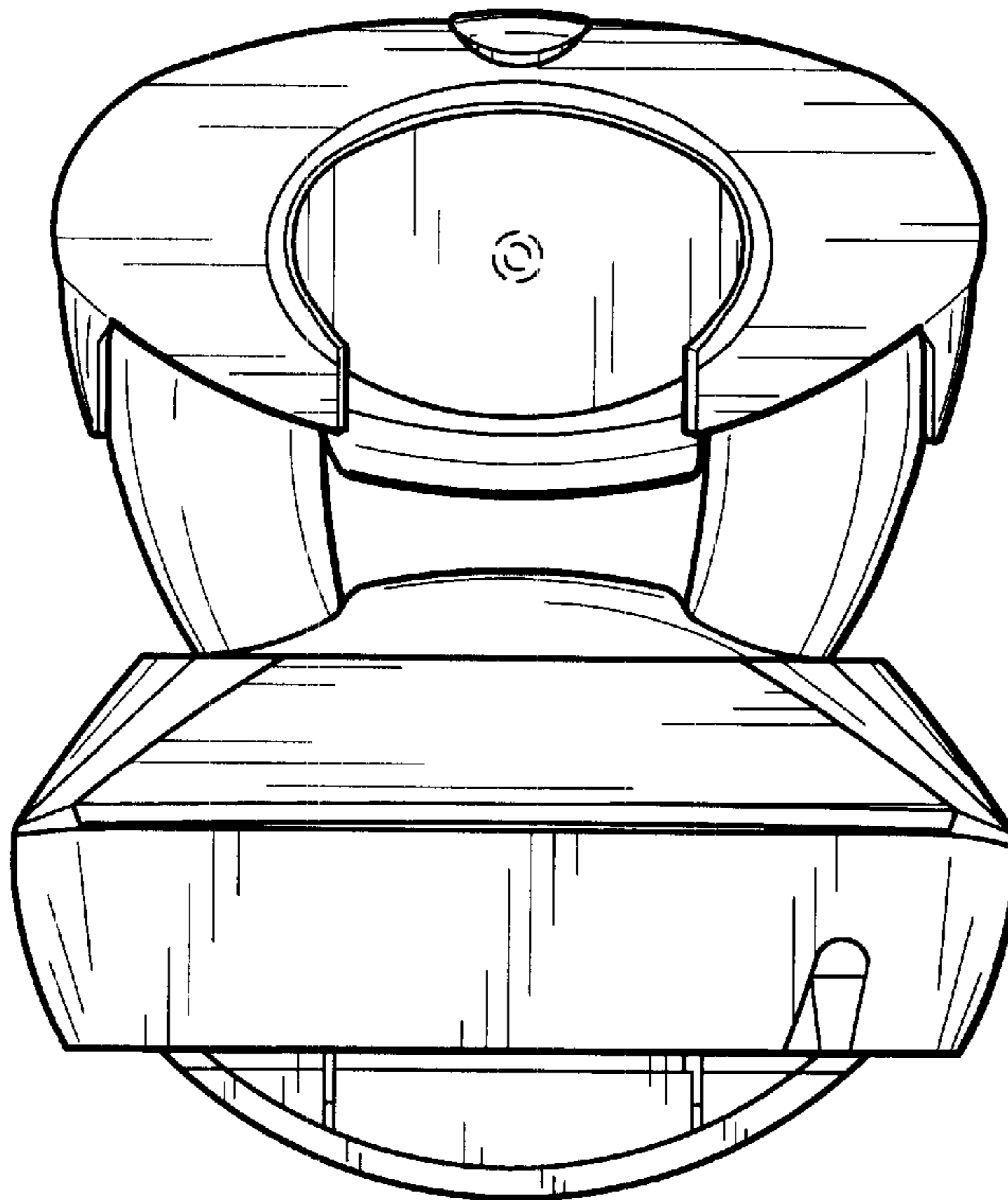
*FIG. 4*

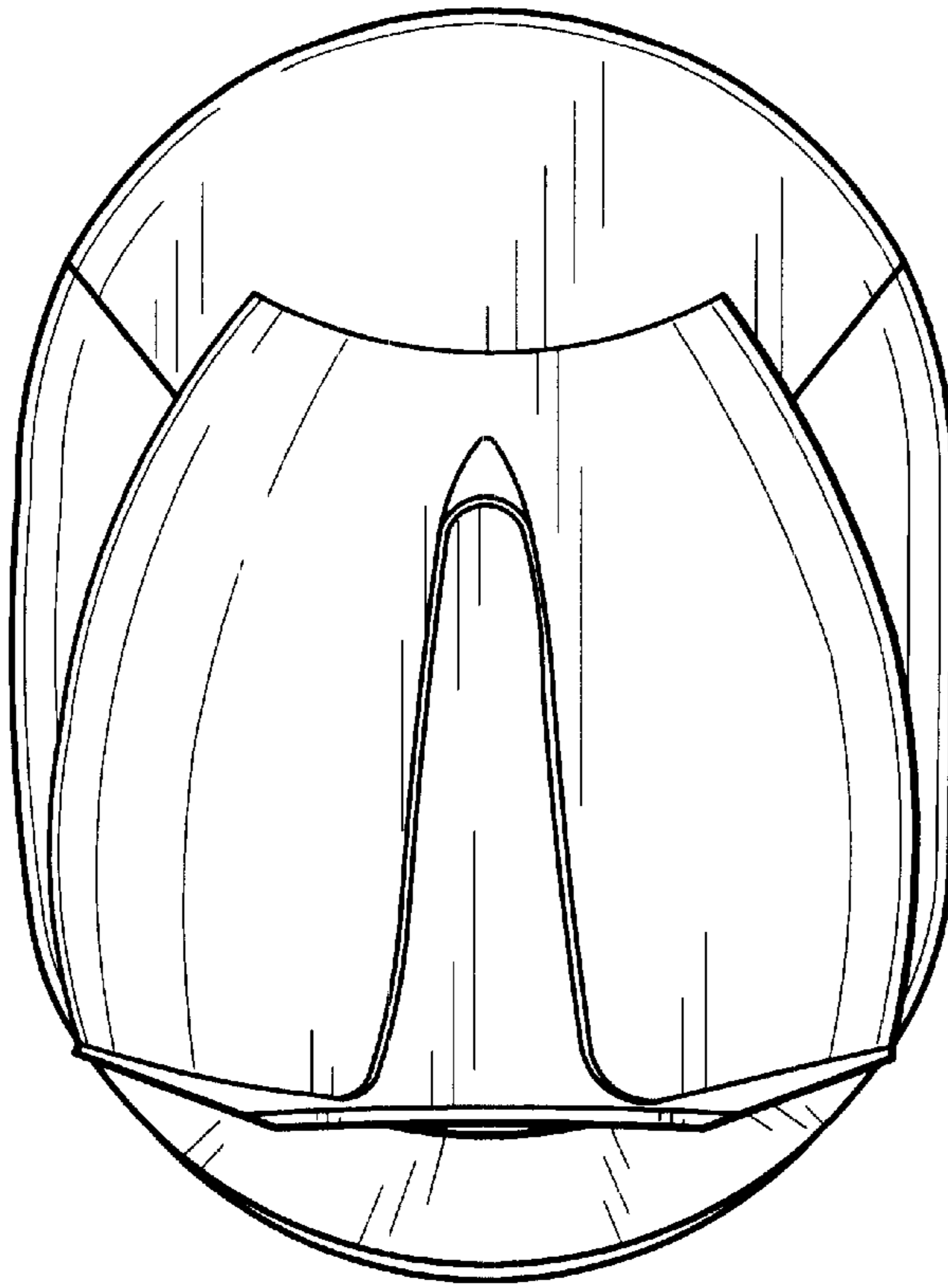


*FIG. 5*

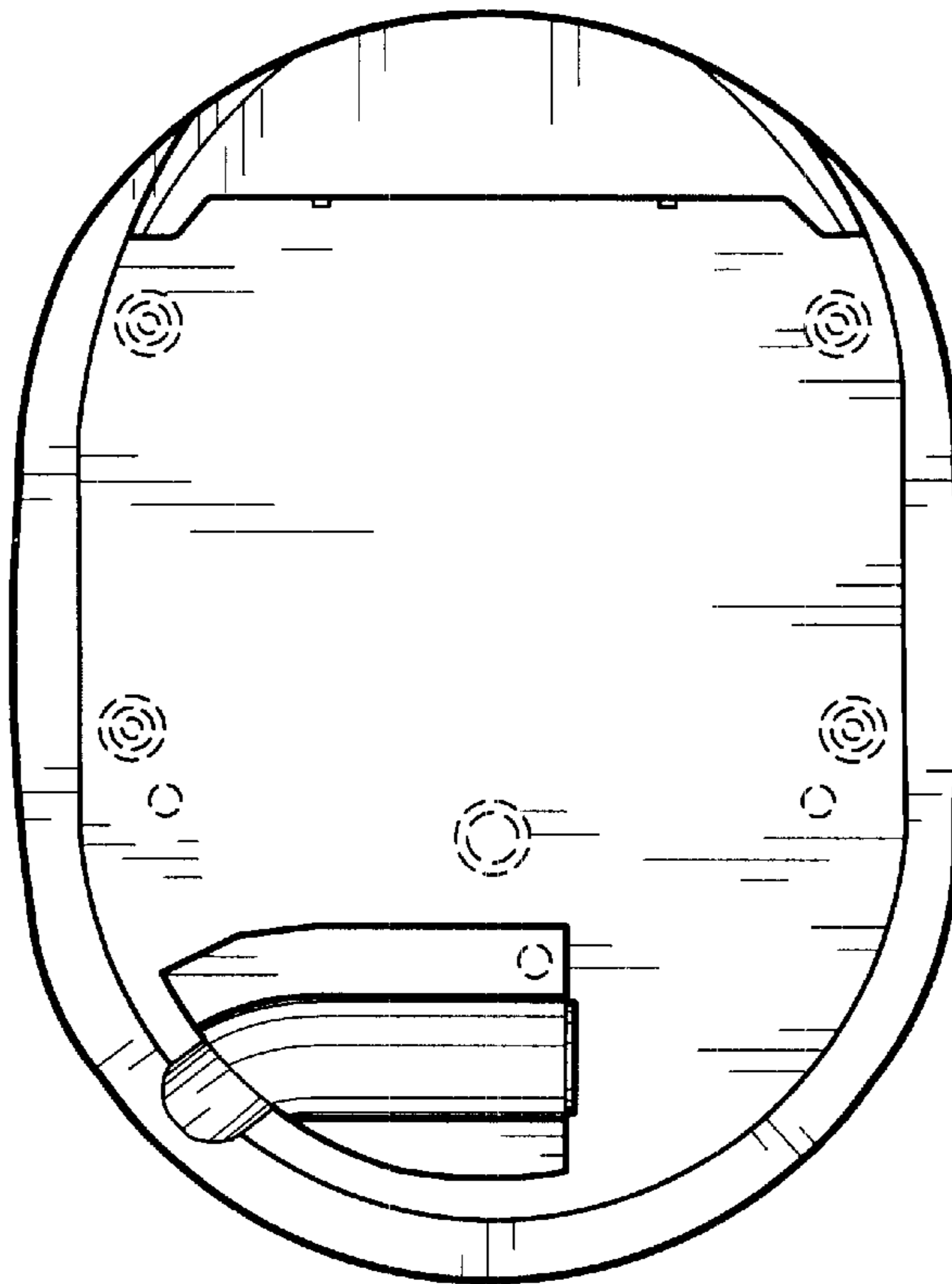


*FIG. 6*





*FIG. 7*



*FIG. 8*