



US00D476343S

(12) **United States Design Patent**  
**Leoncini**

(10) **Patent No.:** **US D476,343 S**

(45) **Date of Patent:** **\*\* Jun. 24, 2003**

(54) **TILE AND STONE CUTTING MACHINE**

(75) Inventor: **Lorenzo Leoncini**, Siena (IT)

(73) Assignee: **Imer U.S.A.**, San Francisco, CA (US)

(\*\*) Term: **14 Years**

(21) Appl. No.: **29/163,109**

(22) Filed: **Jun. 27, 2002**

(51) **LOC (7) Cl.** ..... **15-09**

(52) **U.S. Cl.** ..... **D15/127**

(58) **Field of Search** ..... D15/127; 125/12,  
125/13.01, 23.01, 23.02

(56) **References Cited**

**U.S. PATENT DOCUMENTS**

5,482,026 A \* 1/1996 Russell ..... 125/12

6,152,127 A \* 11/2000 Fuhrman et al. .... 125/13.01 X

\* cited by examiner

*Primary Examiner*—Antoine Duval Davis

(74) *Attorney, Agent, or Firm*—McGlew and Tuttle, P.C.

(57) **CLAIM**

The ornamental design for a tile and stone cutting machine,  
as shown and described.

**DESCRIPTION**

FIG. 1 is a perspective view of my new tile and stone cutting machine;

FIG. 2 is a perspective view showing the other side thereof;

FIG. 3 is a bottom view thereof;

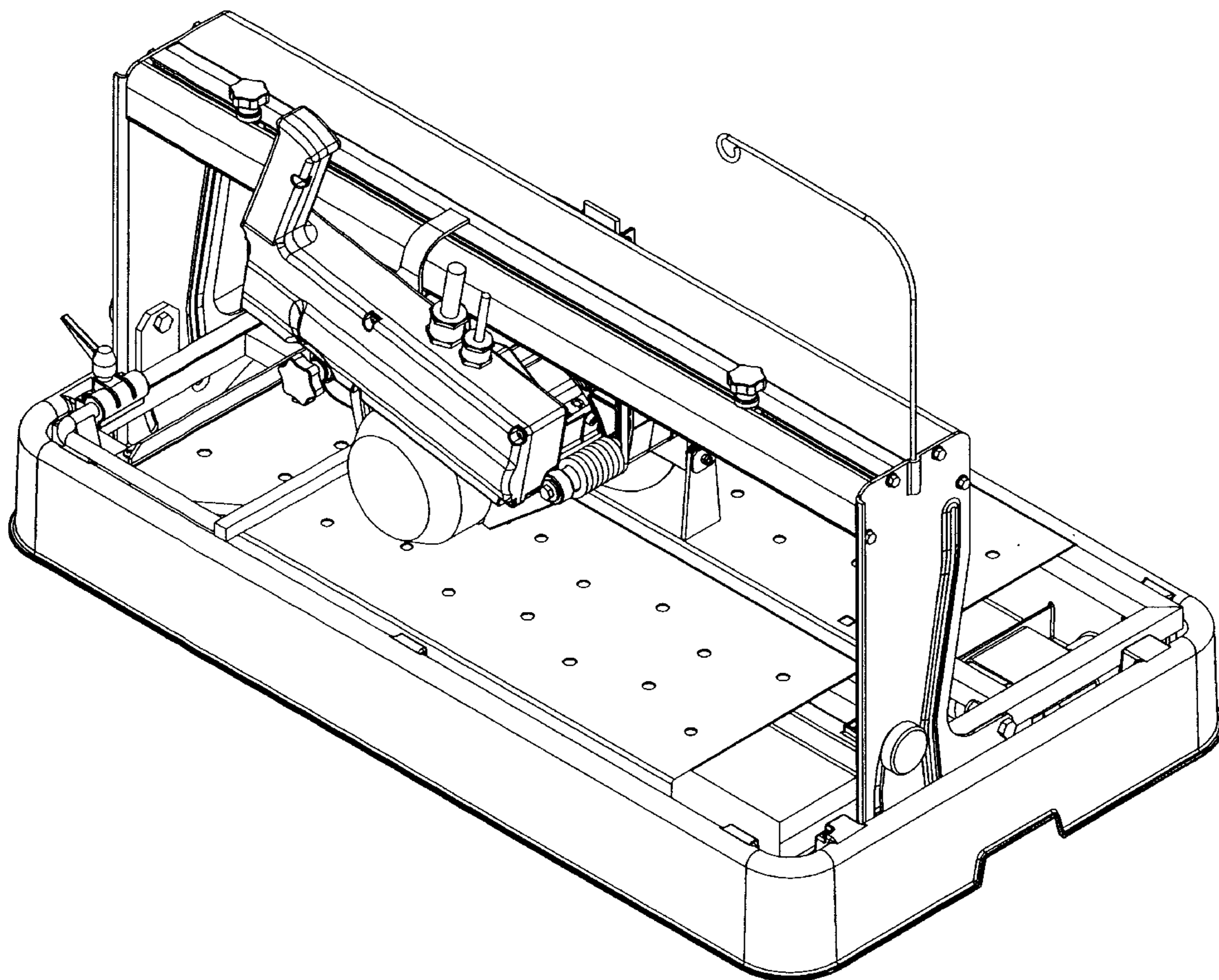
FIG. 4 is a top view thereof;

FIG. 5 is a left side view thereof;

FIG. 6 is a right side view thereof; and,

FIG. 7 is a front view thereof.

**1 Claim, 7 Drawing Sheets**



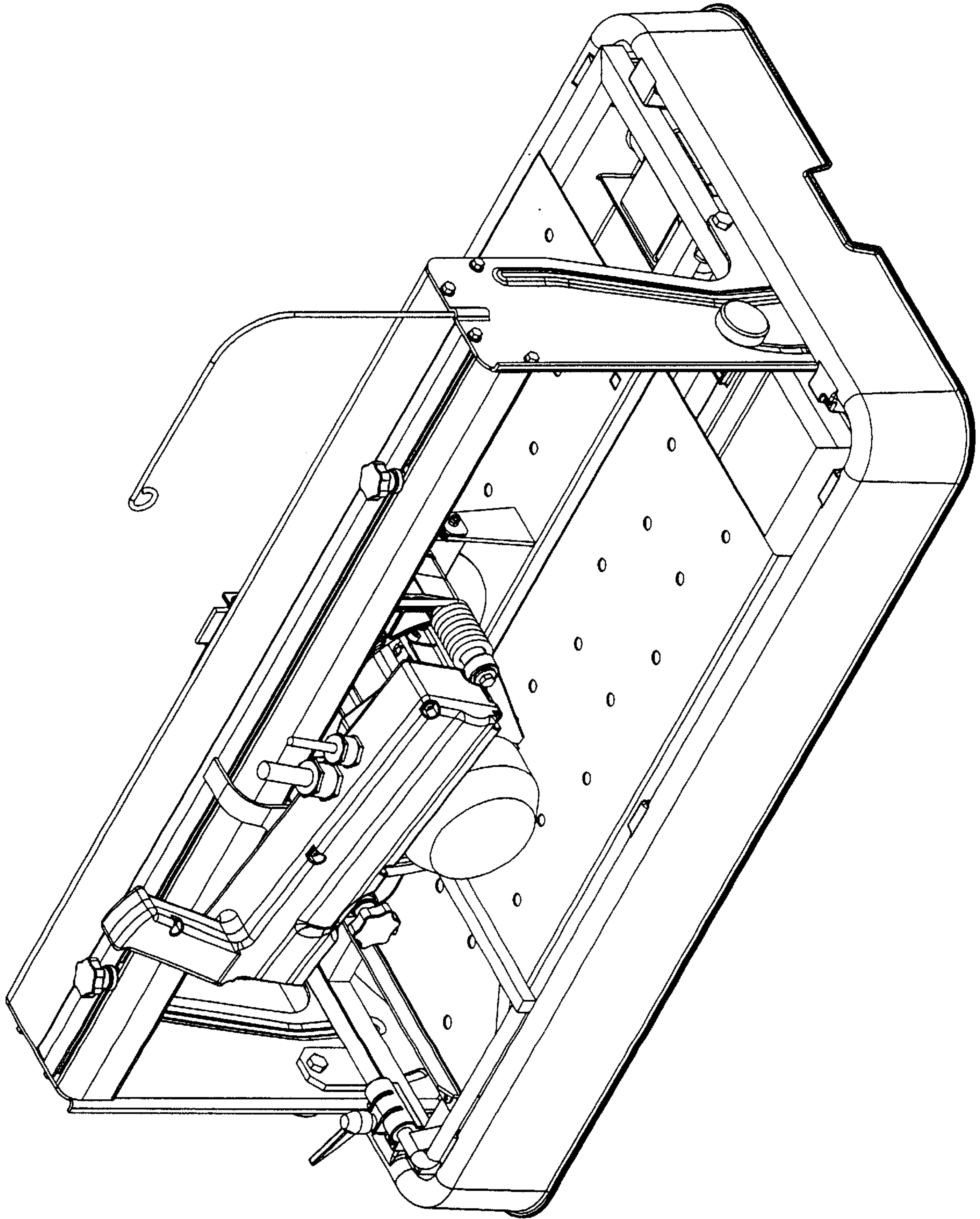
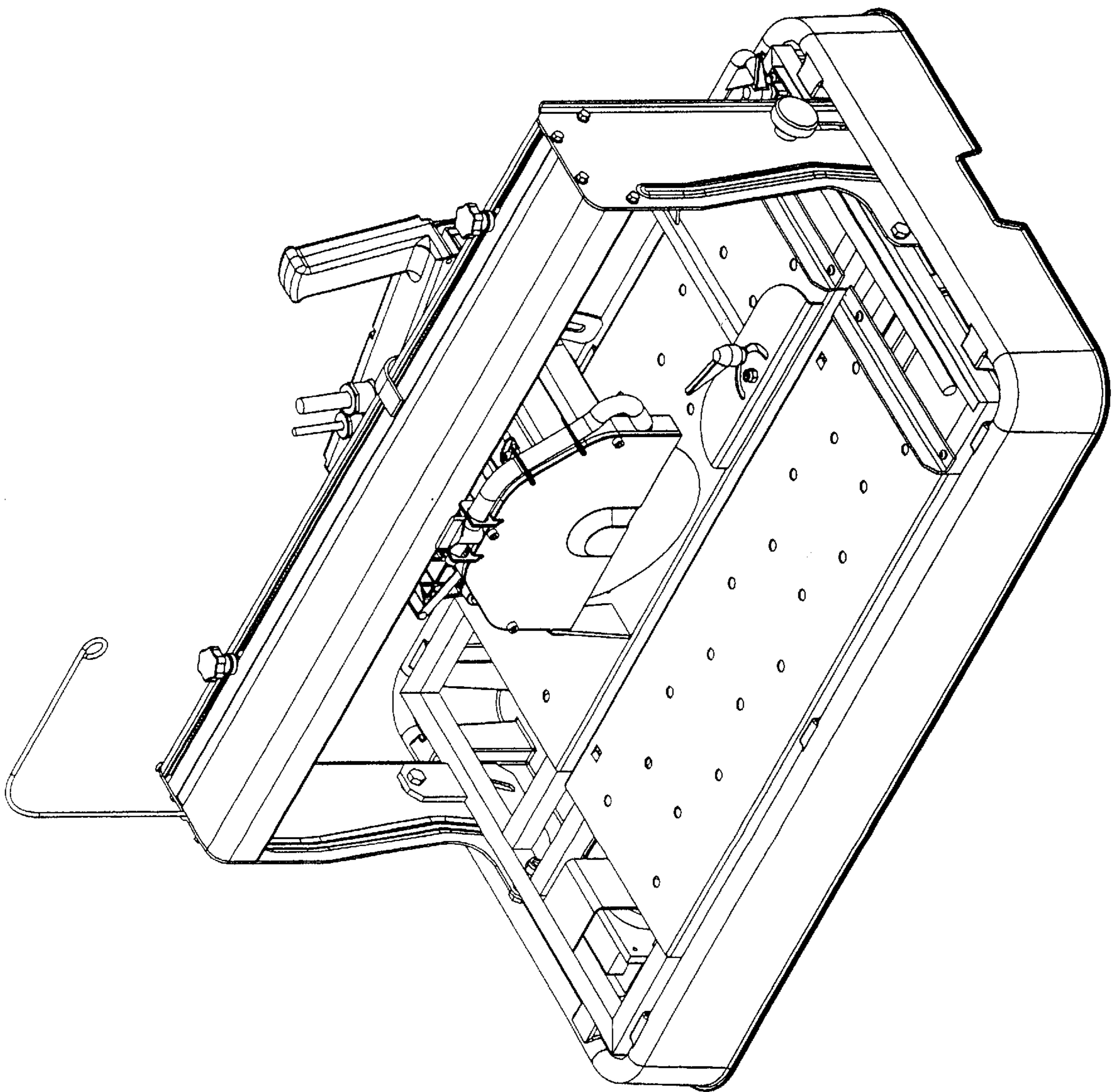


Fig. 1

Fig. 2



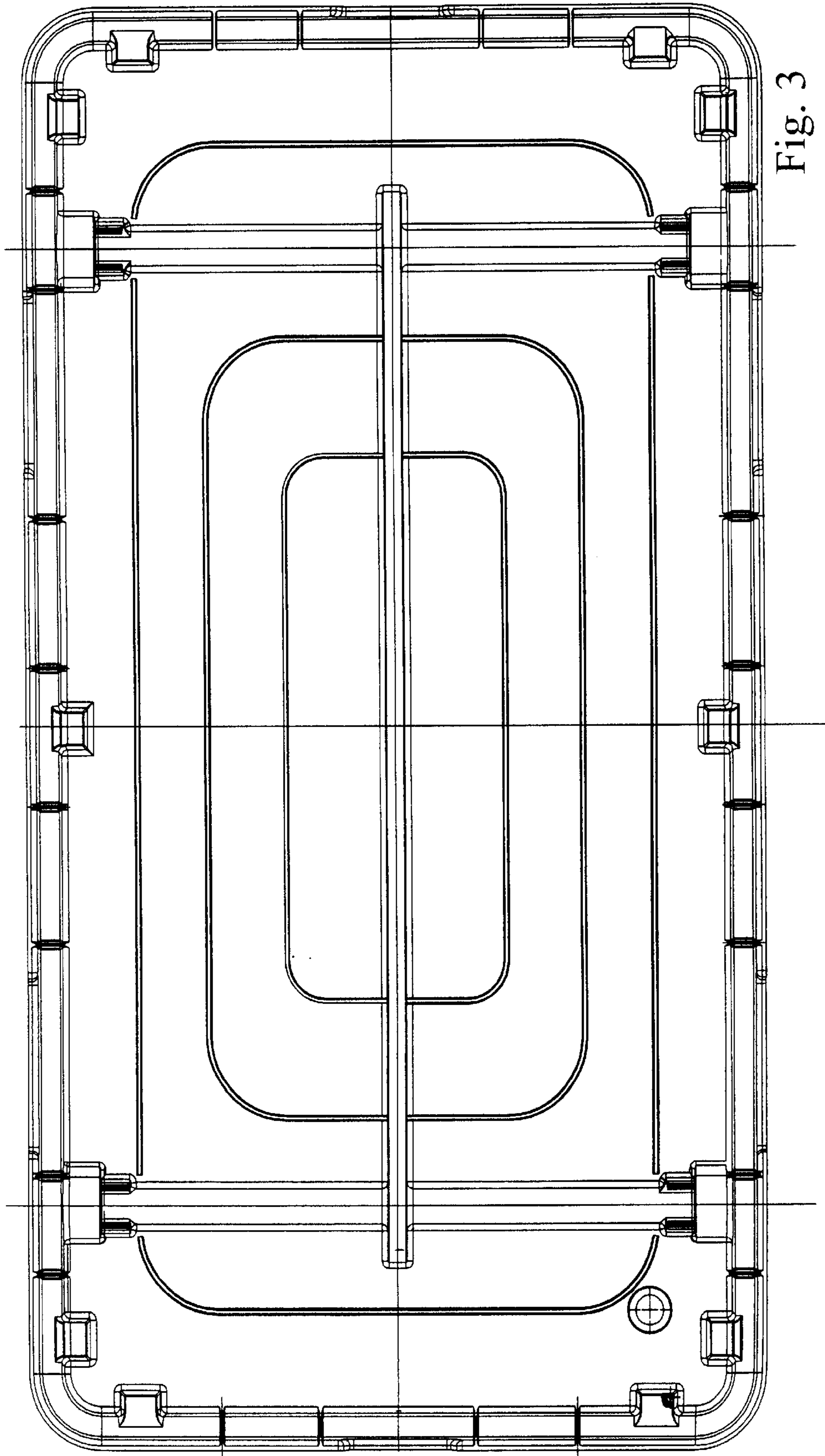
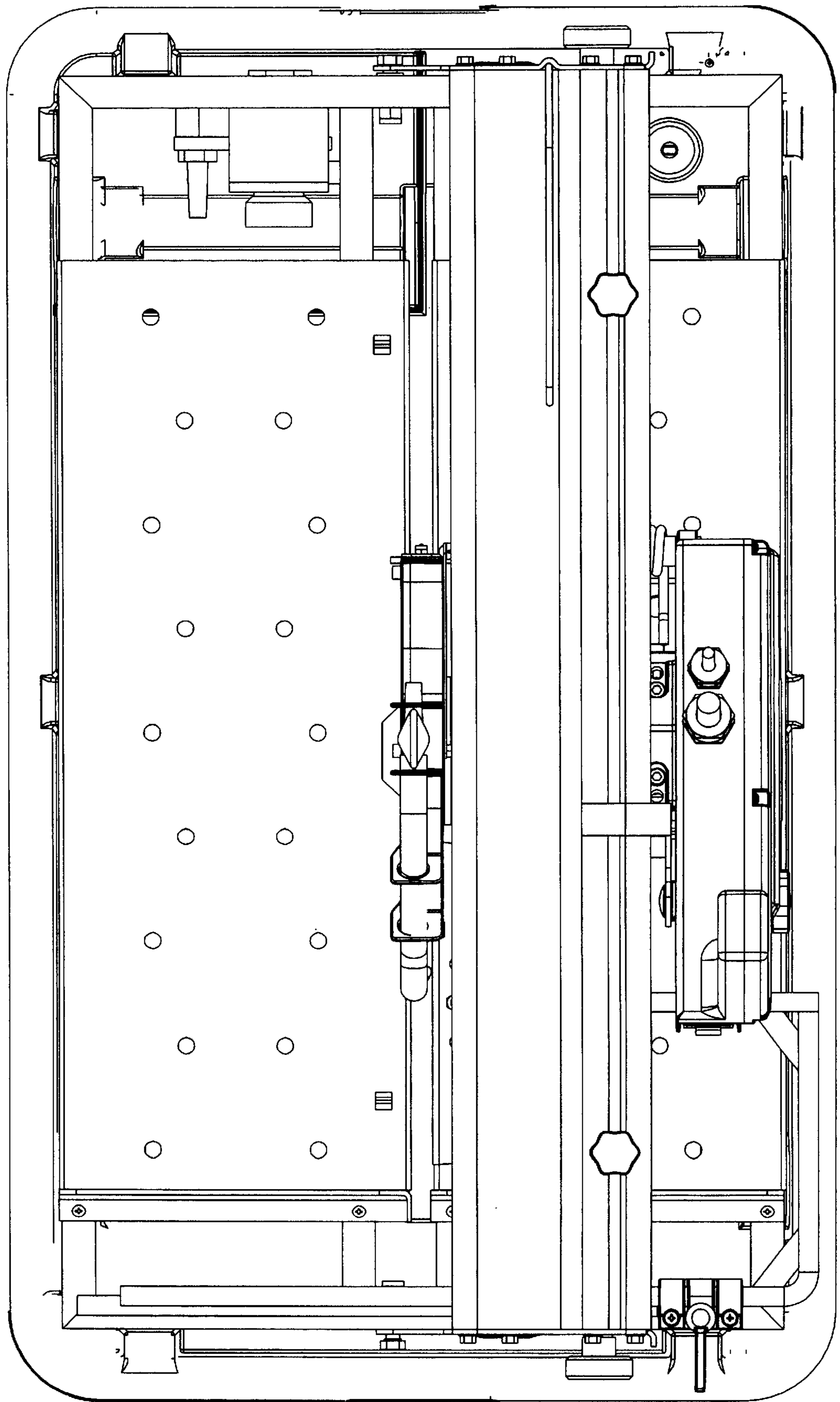


Fig. 4



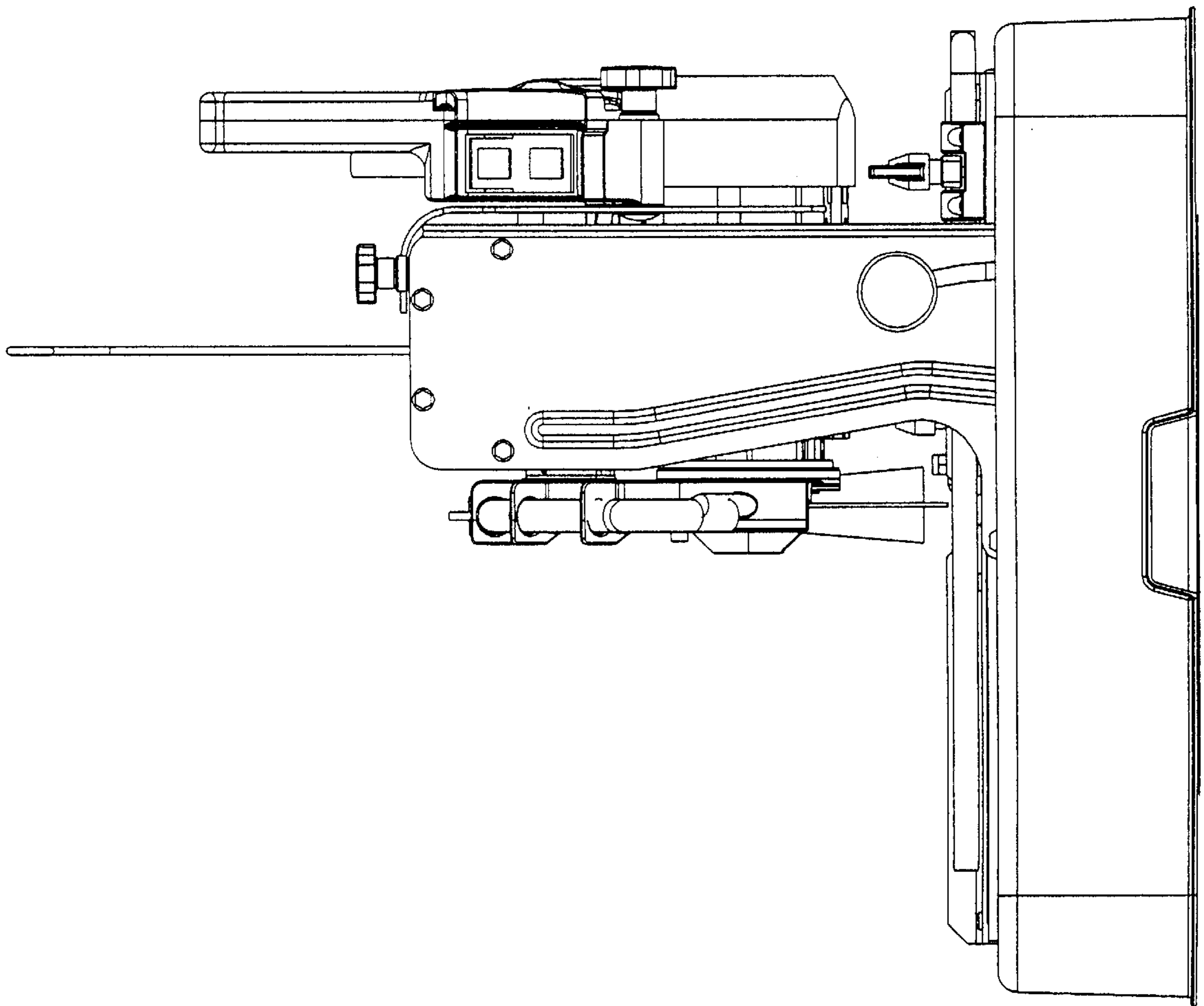


Fig. 5

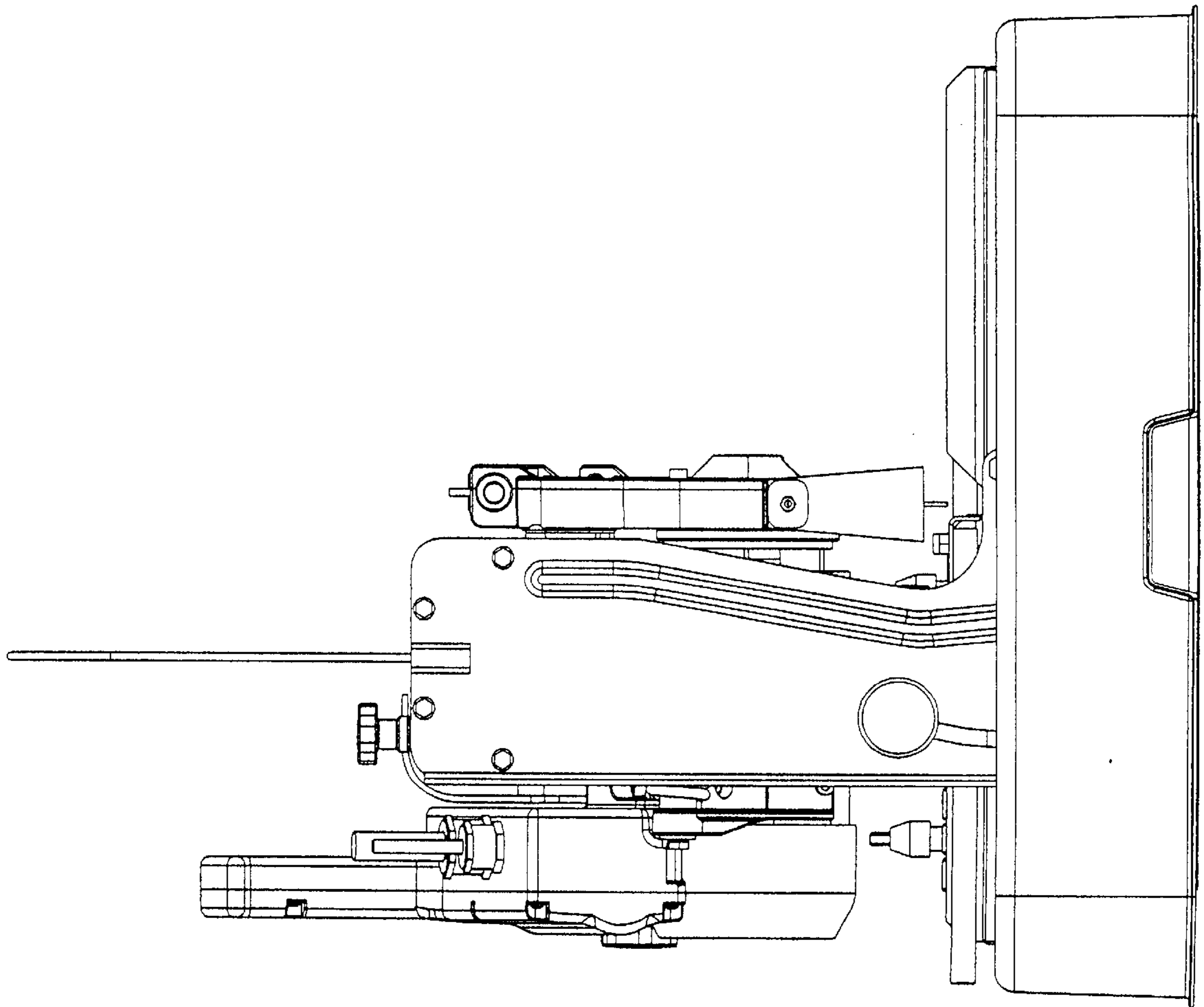


Fig. 6

Fig. 7

