



US00D476341S

(12) **United States Design Patent**
Booten et al.

(10) **Patent No.:** **US D476,341 S**

(45) **Date of Patent:** **** Jun. 24, 2003**

(54) **STORAGE BIN FOR A RIDING LAWNMOWER**

5,297,377 A * 3/1994 Cullen 53/527
5,517,806 A * 5/1996 Cullen 53/527

(75) Inventors: **Richard D. Booten**, Brentwood, TN (US); **Bradley J. Mouser**, Spring Hill, TN (US)

* cited by examiner

Primary Examiner—Mitchell Siegel
(74) *Attorney, Agent, or Firm*—Kevin E. Joyce

(73) Assignee: **Murray, Inc.**, Brentwood, TN (US)

(57) **CLAIM**

(**) Term: **14 Years**

The ornamental design for a storage bin for a riding lawn-mower, as shown and described.

(21) Appl. No.: **29/167,589**

DESCRIPTION

(22) Filed: **Sep. 17, 2002**

(51) **LOC (7) Cl.** **15-03**

(52) **U.S. Cl.** **D15/17**

(58) **Field of Search** D15/10, 14-17,
D15/28; 222/162, 174, 614, 624; 239/681-689;
53/527, 255, 529, 567

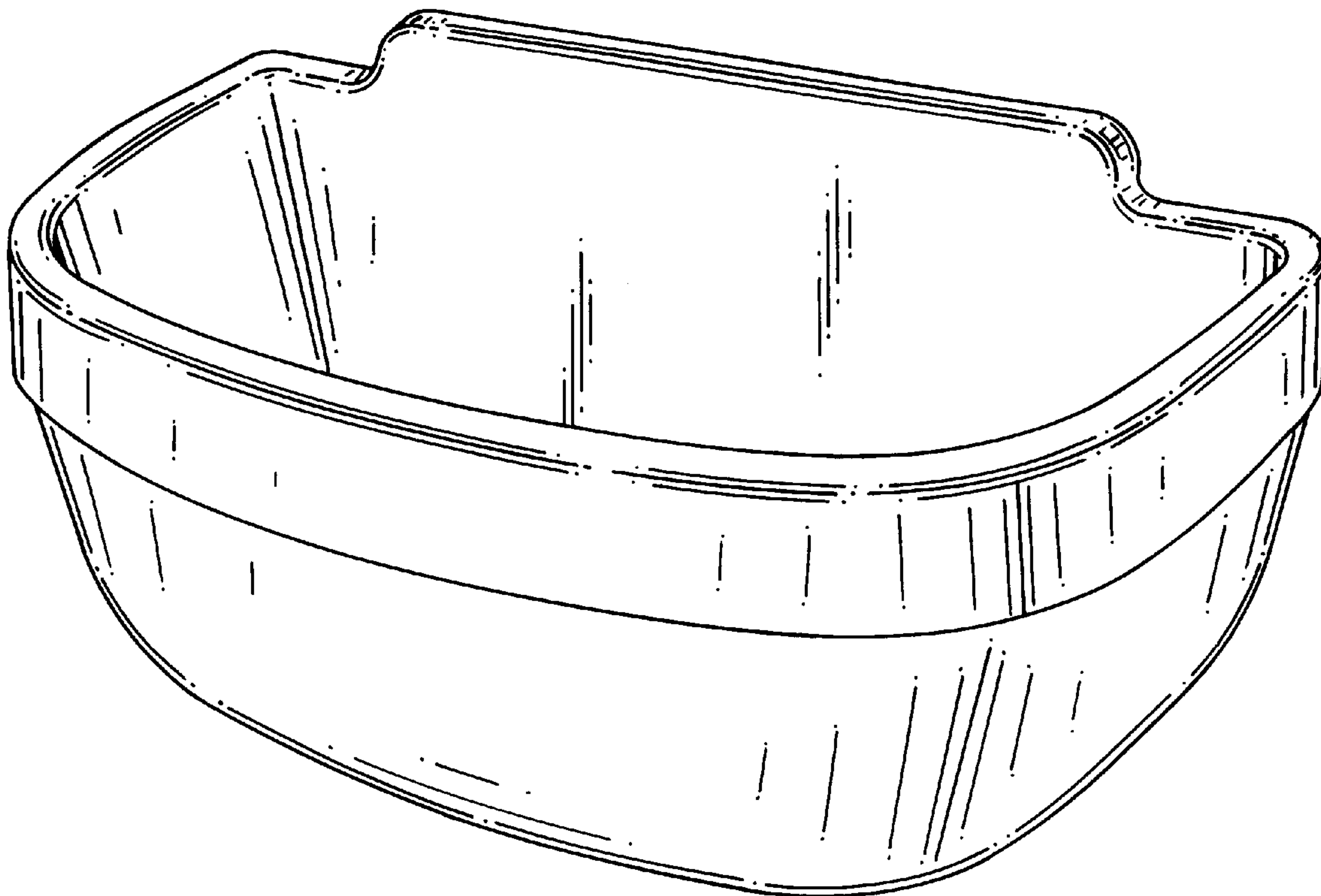
FIG. 1 is a right rear perspective view of a storage bin for a riding lawn mower showing our new design; FIG. 2 is an additional right rear perspective view thereof; FIG. 3 is a right front perspective view thereof; and, FIG. 4 is a left rear perspective view thereof. The broken line illustration of a riding lawn mower in FIG. 4 is for illustrative purposes only and forms no part of the invention.

(56) **References Cited**

U.S. PATENT DOCUMENTS

D338,893 S * 8/1993 Simpson D15/13

1 Claim, 4 Drawing Sheets



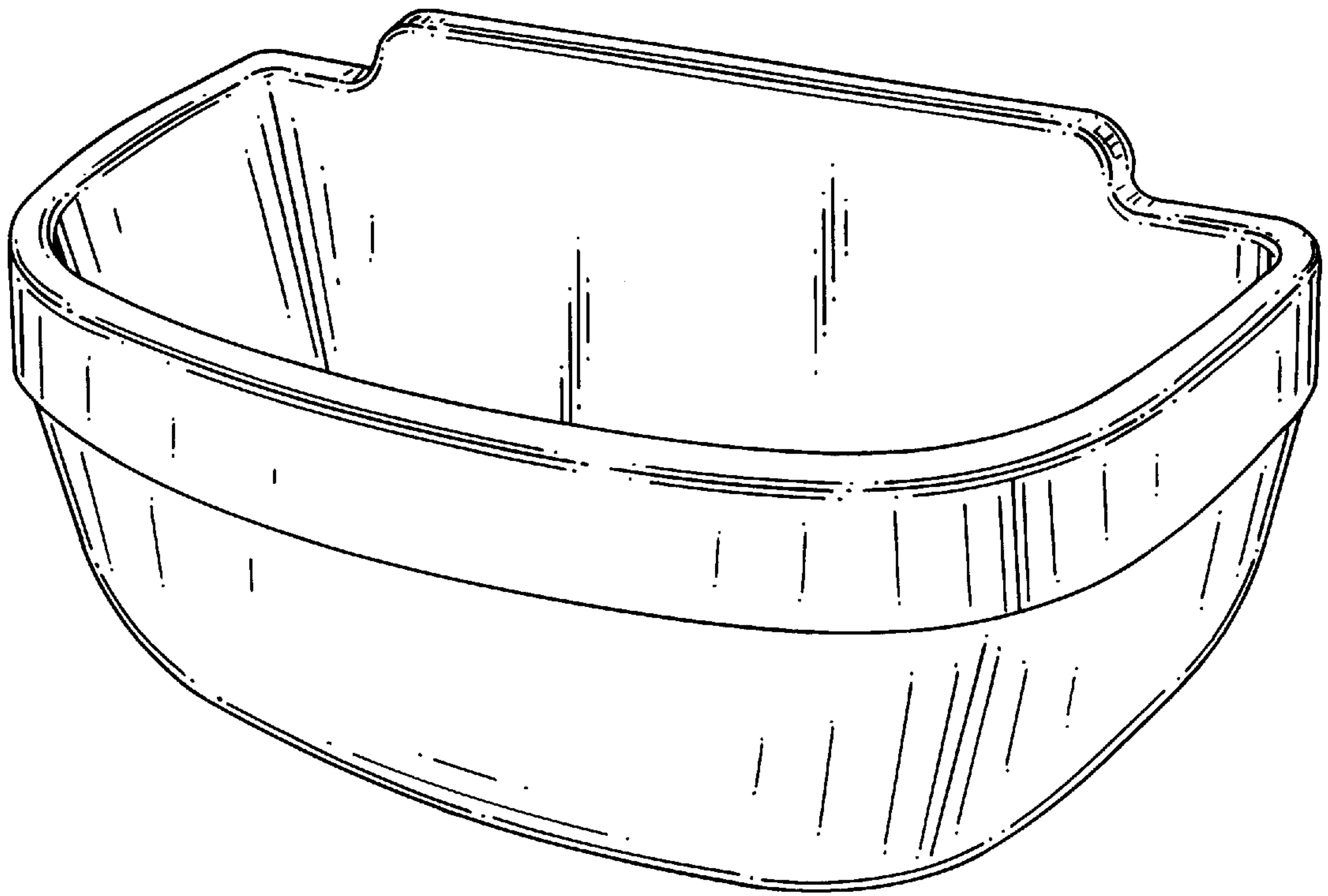


FIG. 1

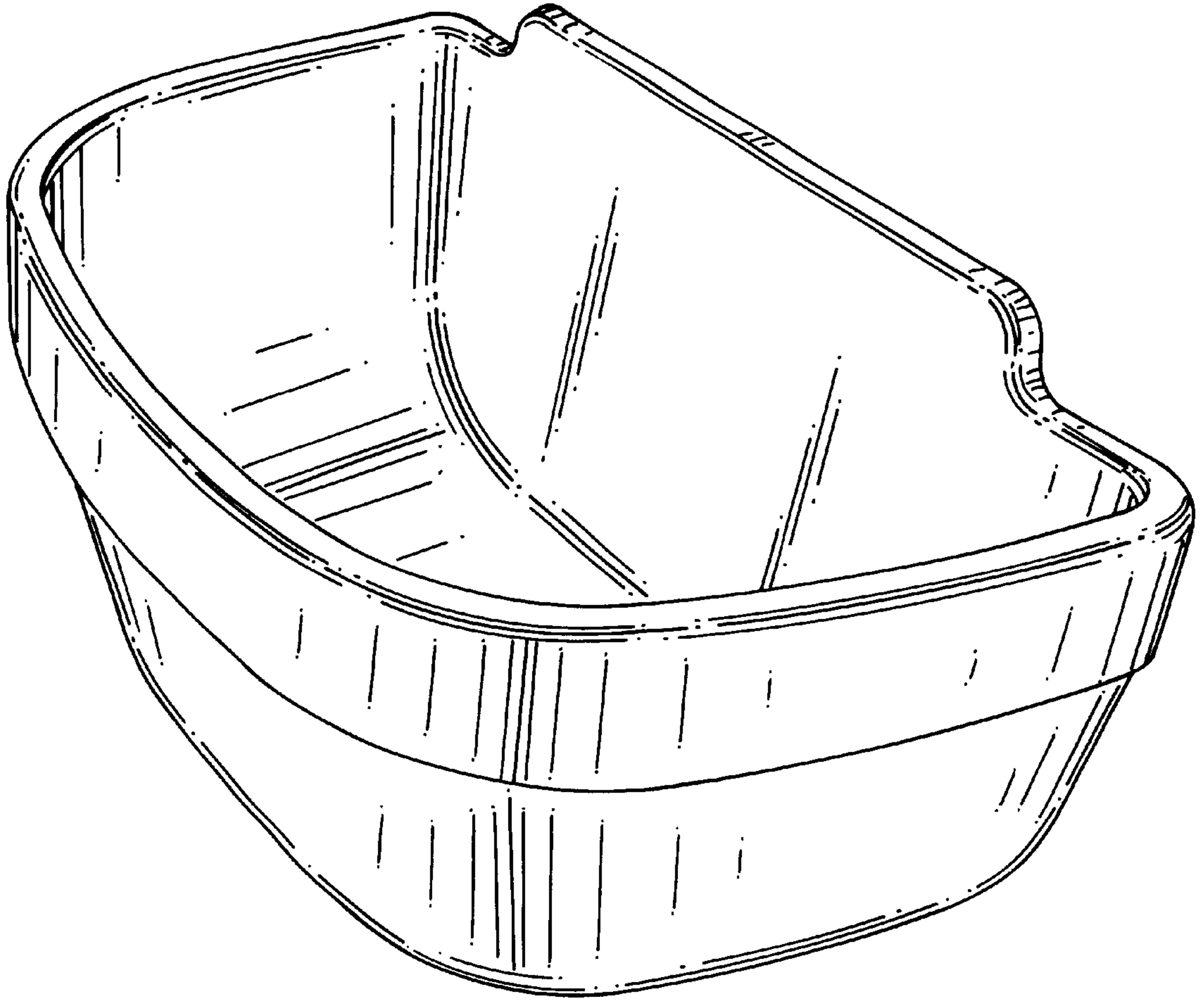


FIG. 2

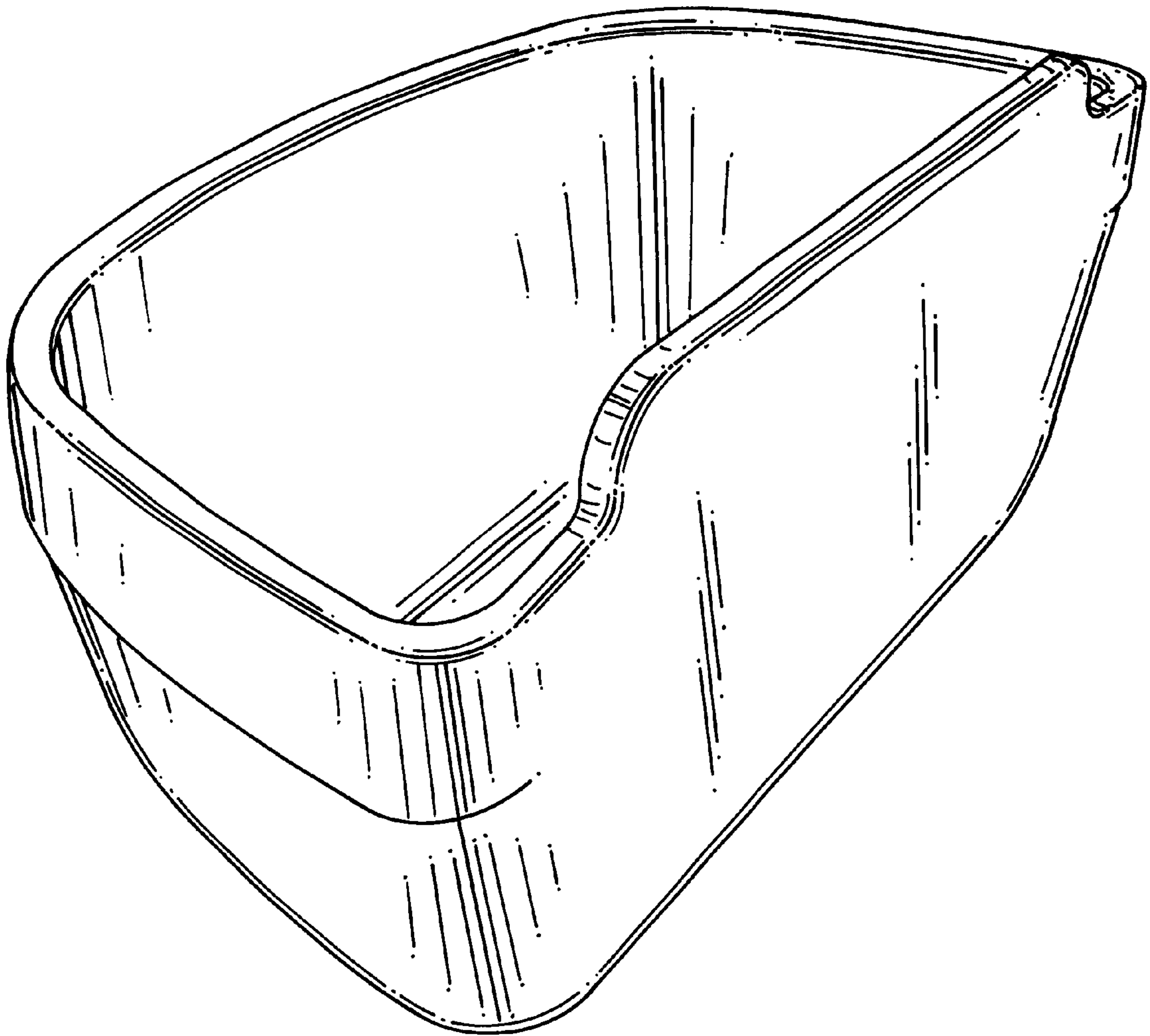


FIG. 3

FIG. 4

