



US00D476338S

(12) **United States Design Patent**  
**Mabbutt**

(10) **Patent No.:** **US D476,338 S**

(45) **Date of Patent:** **\*\* Jun. 24, 2003**

(54) **BASKETBALL COURT MOUSEPAD**

(76) Inventor: **David L. Mabbutt**, 3700 22nd St., Apt. B, San Francisco, CA (US) 94114

(\*\*) Term: **14 Years**

(21) Appl. No.: **29/171,737**

(22) Filed: **Nov. 27, 2002**

(51) **LOC (7) Cl.** ..... **14-02**

(52) **U.S. Cl.** ..... **D14/458**

(58) **Field of Search** ..... D14/458, 459;  
D6/596, 597, 613; D21/702, 706, 339;  
248/917-924, 442.2; 345/156-167

(56) **References Cited**

**U.S. PATENT DOCUMENTS**

D382,551 S	*	8/1997	Tran	.....	D14/458
D388,414 S	*	12/1997	Carlson	.....	D14/458
D399,833 S	*	10/1998	Barrette	.....	D14/458
D425,048 S	*	5/2000	Lin	.....	D14/458
D468,747 S	*	1/2003	Kwon	.....	D14/451

\* cited by examiner

*Primary Examiner*—Kay H. Chin

(74) *Attorney, Agent, or Firm*—Edwin A. Skoch

(57) **CLAIM**

The ornamental design for a basketball court mousepad, as shown and described.

**DESCRIPTION**

A mousepad with the appearance of a basketball court, including simulated court lines and basket, backboard, and

post, to be used with a computer mouse or for ornamentation.

FIG. 1 is a top perspective view of a basketball court mouse pad showing my new design;

FIG. 2 is a top plan view thereof;

FIG. 3 is a bottom plan view thereof;

FIG. 4 is a rear elevation view thereof;

FIG. 5 is a front elevation view thereof;

FIG. 6 is a left side elevation view thereof;

FIG. 7 is a second embodiment of the basketball court mouse pad;

FIG. 8 is a third embodiment of the basketball court mouse pad;

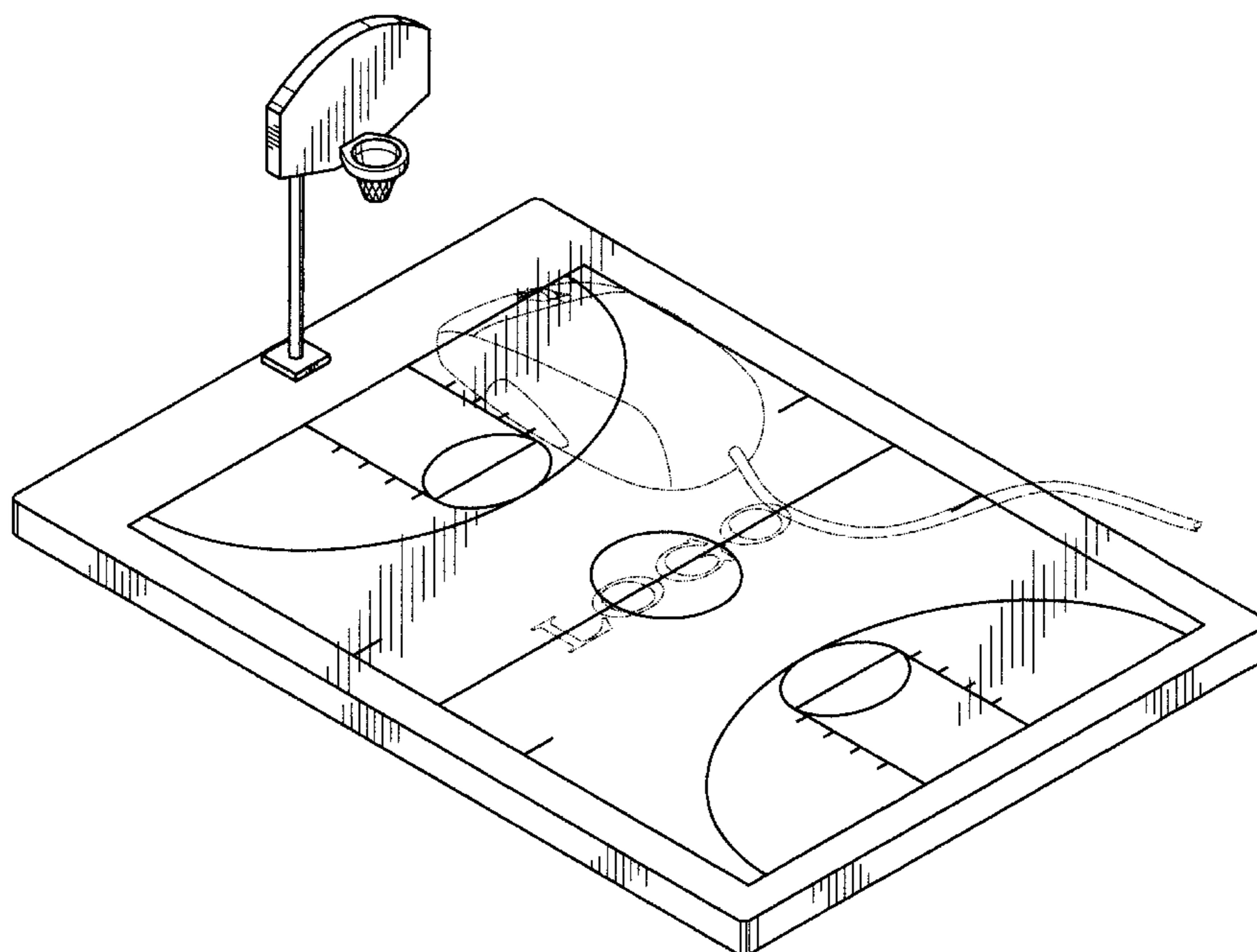
FIG. 9 is a fourth embodiment of the basketball court mouse pad;

FIG. 10 is a fifth embodiment of the basketball court mouse pad; and,

FIG. 11 is a sixth embodiment of the basketball court mouse pad.

The broken line illustration of the computer mouse and logos shown in views are for illustrative purposes only and form no part of the claimed design.

**1 Claim, 5 Drawing Sheets**



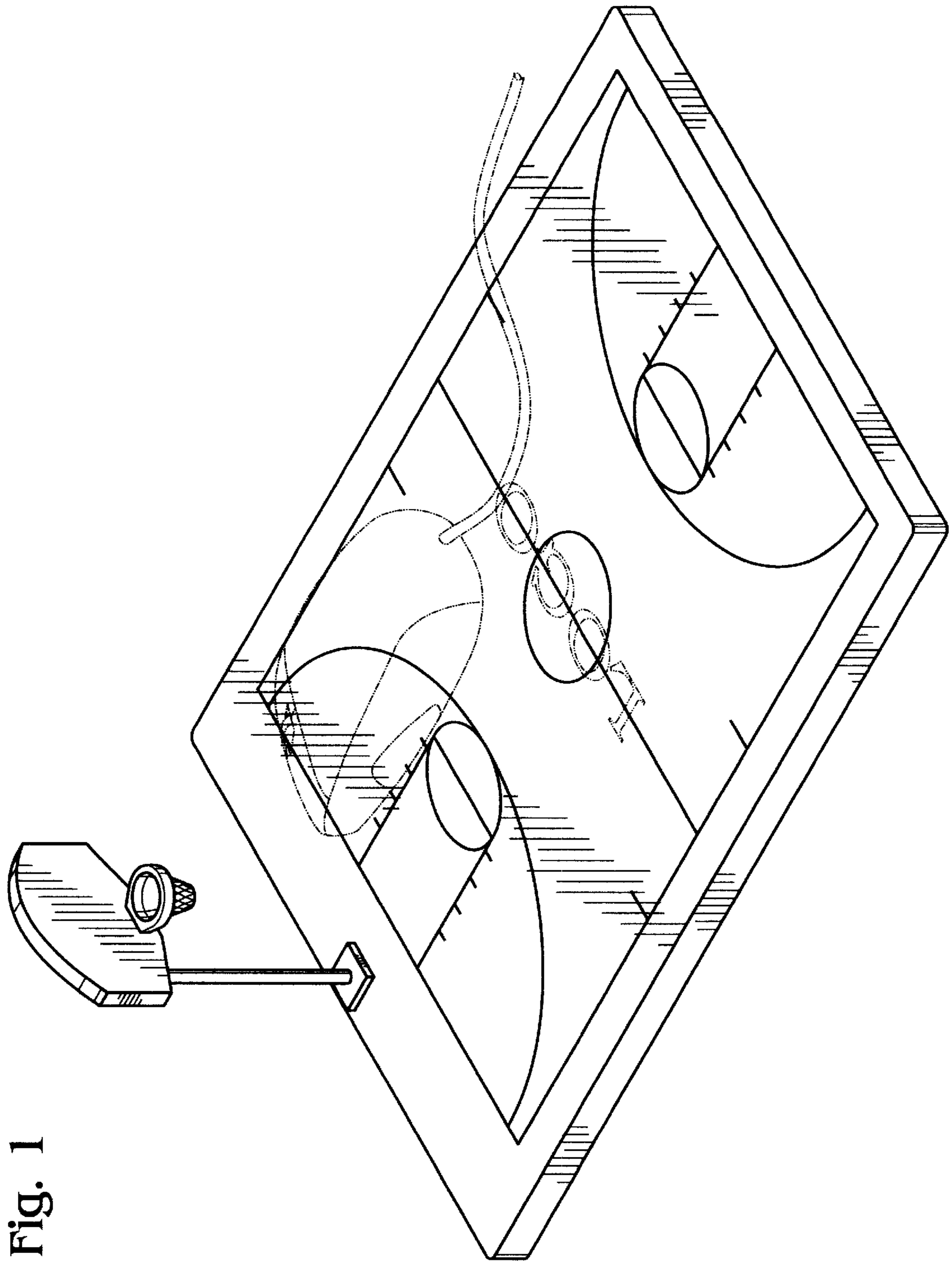


Fig. 1

Fig. 2

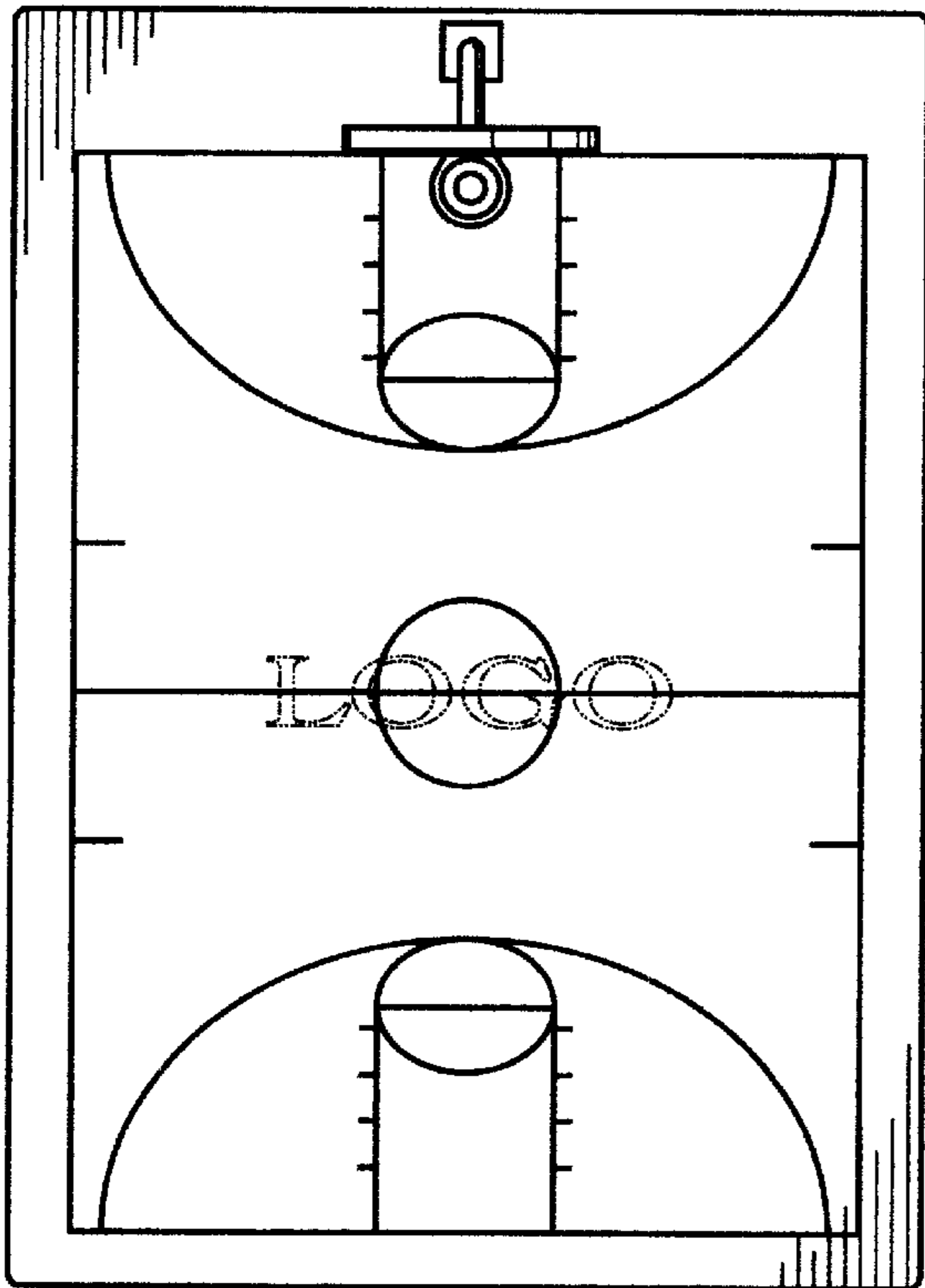


Fig. 3

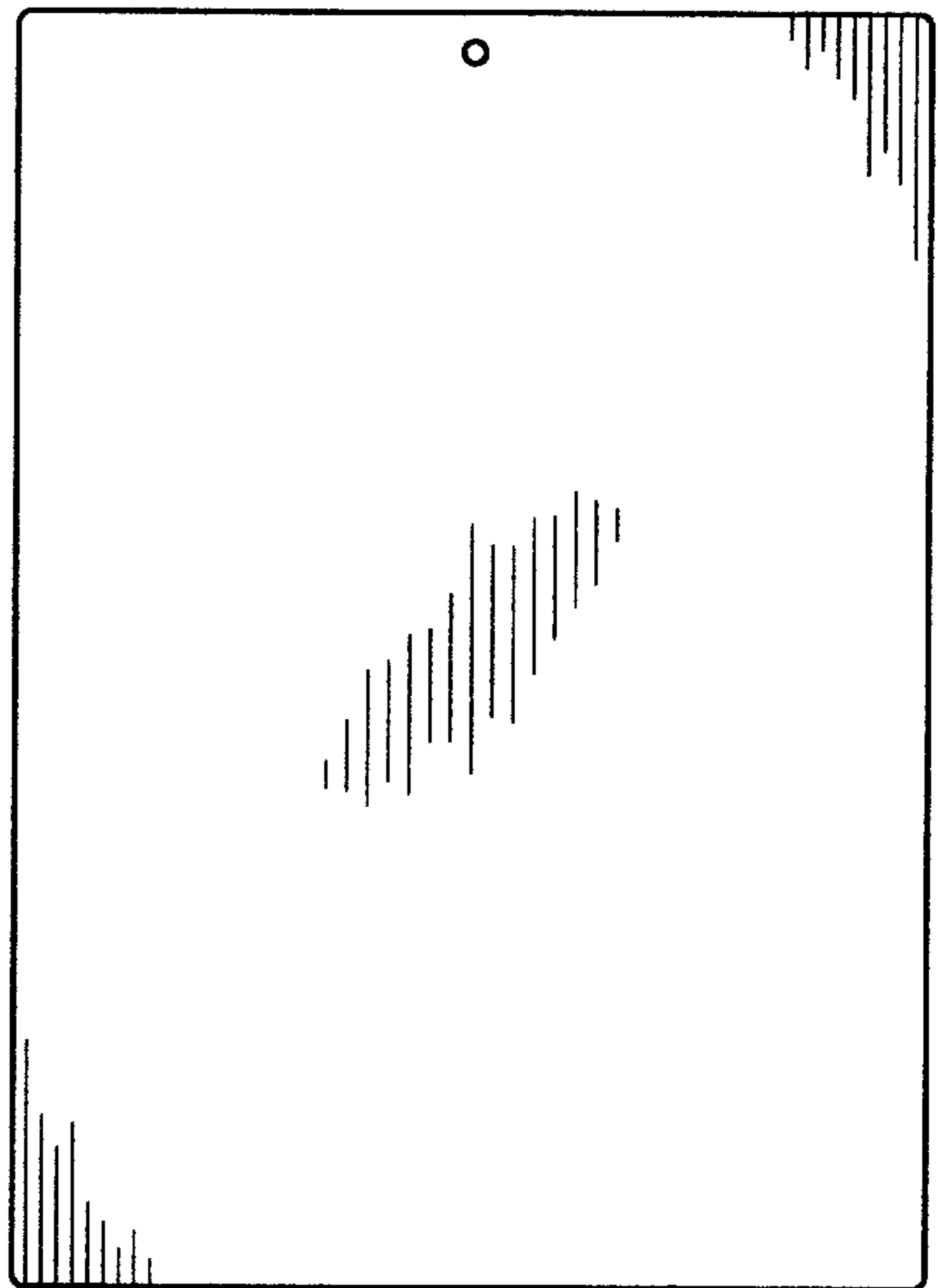


Fig. 4

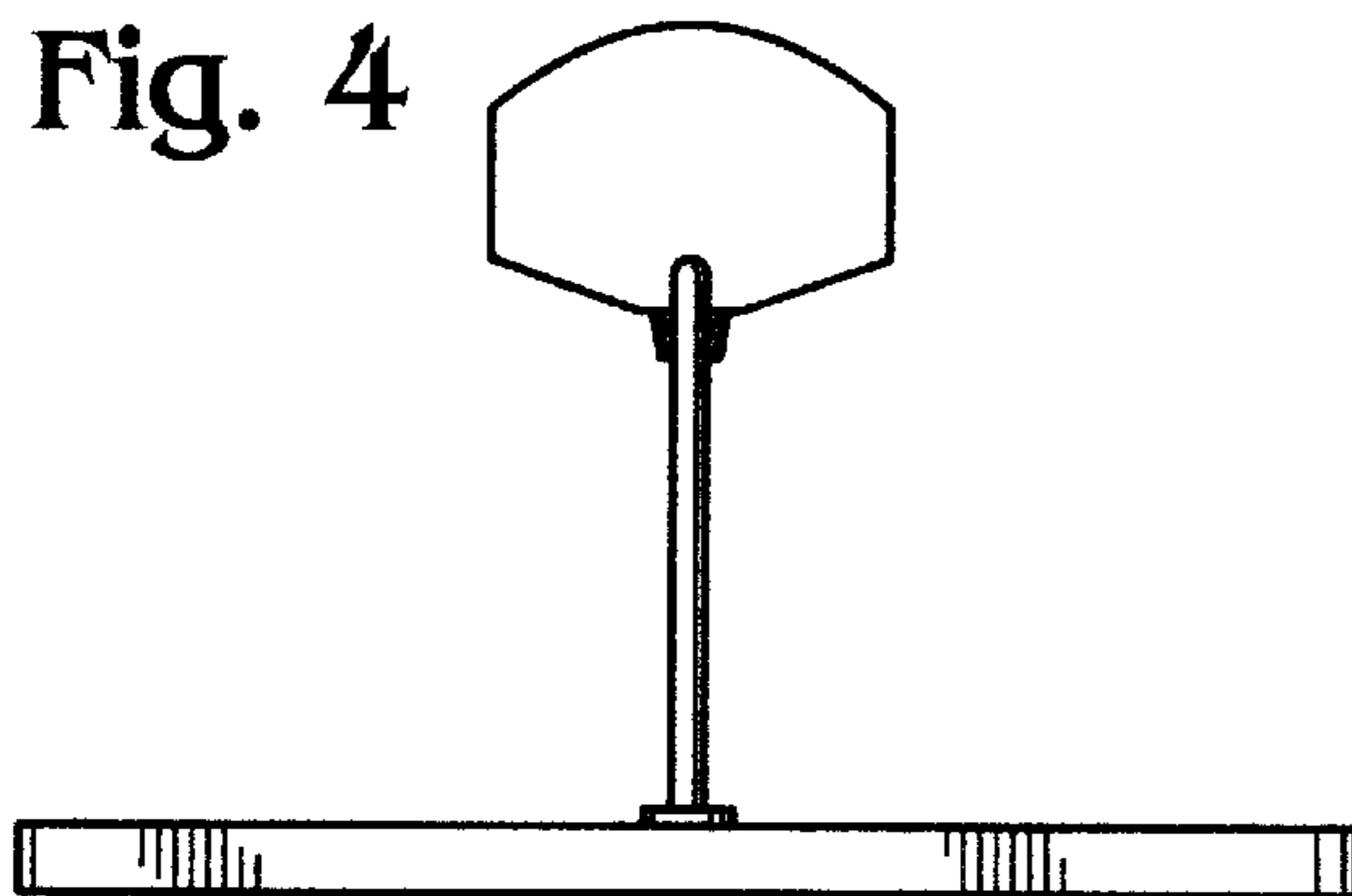


Fig. 5

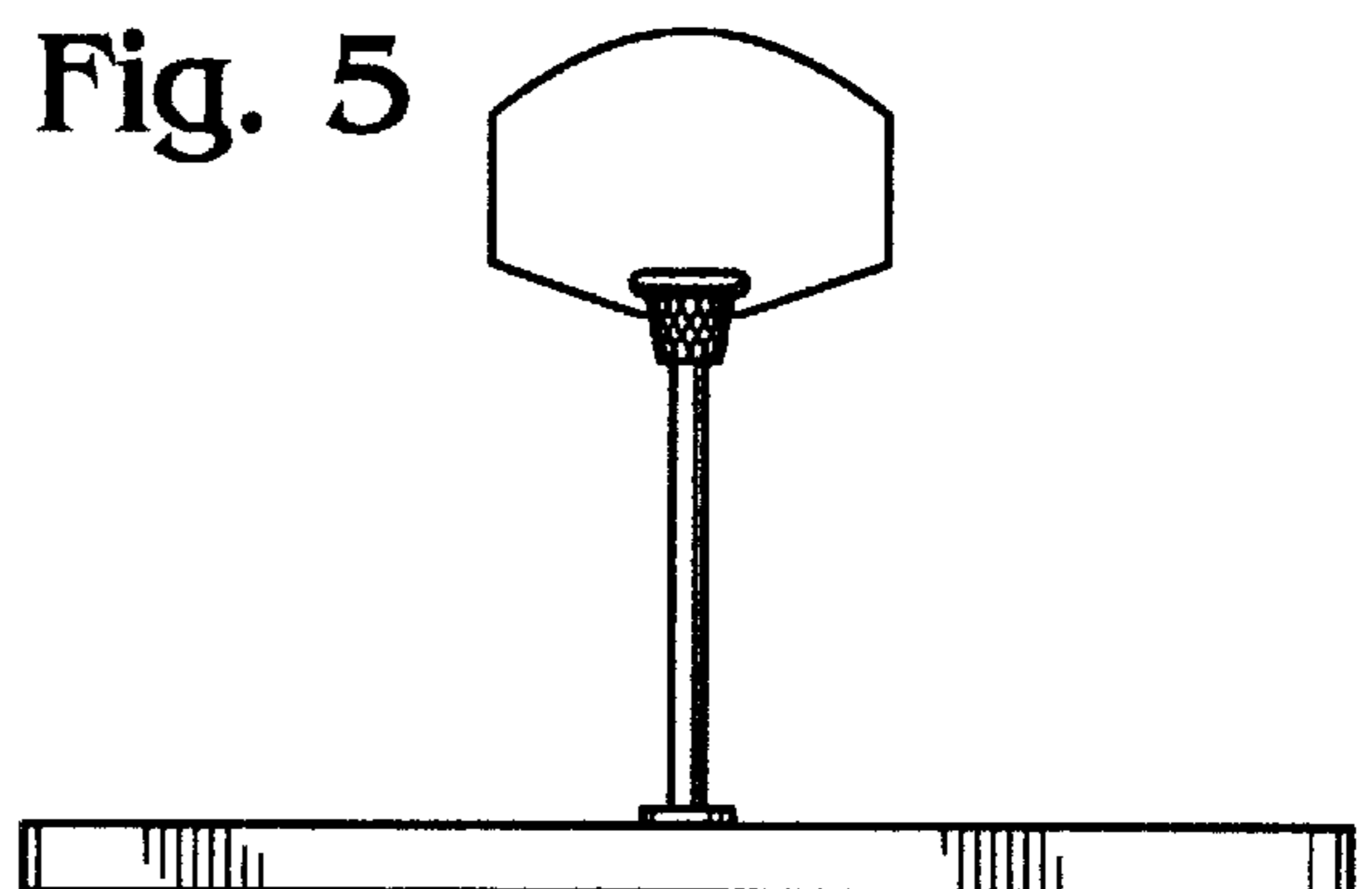


Fig. 6



Fig. 7

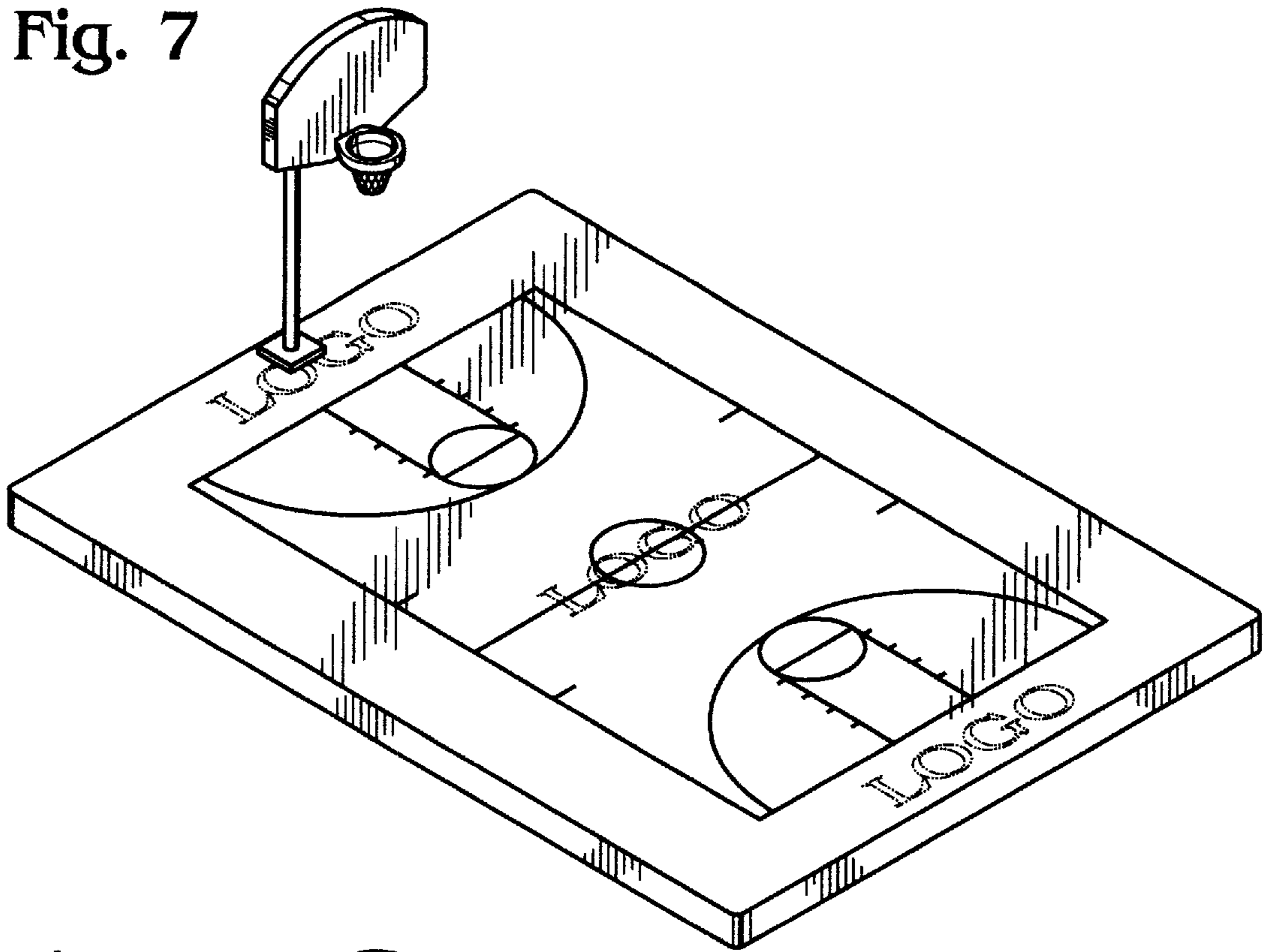


Fig. 8

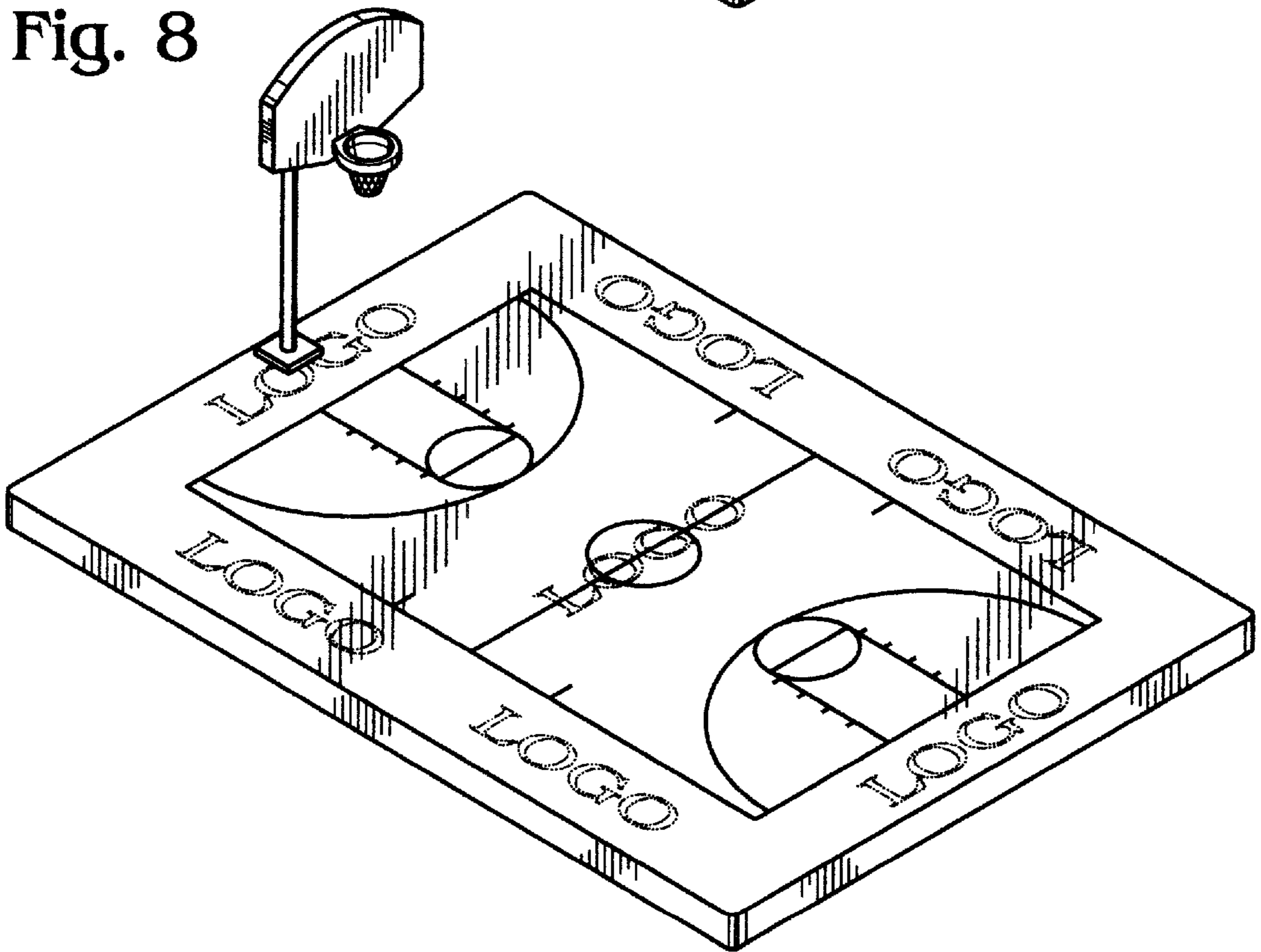


Fig. 9

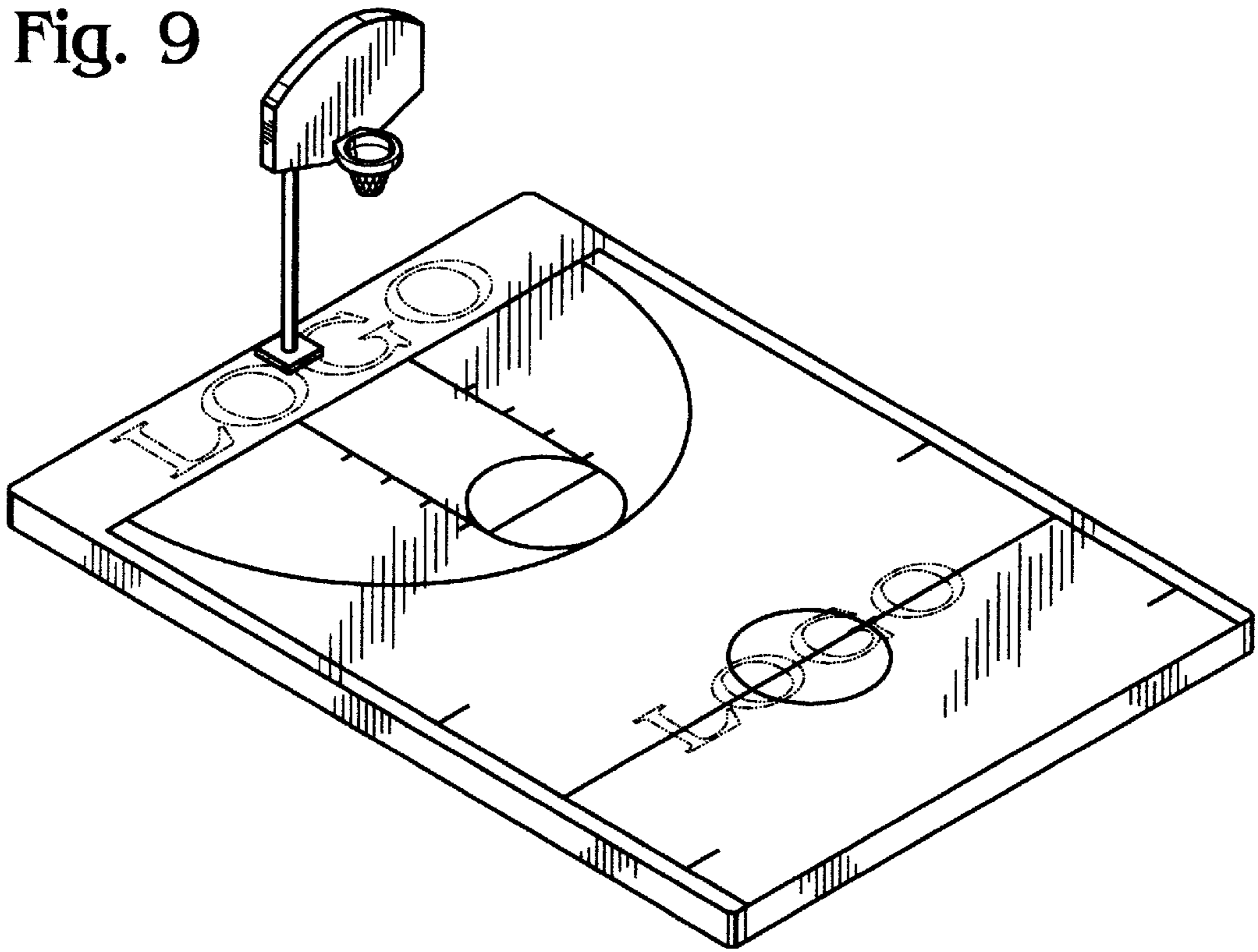
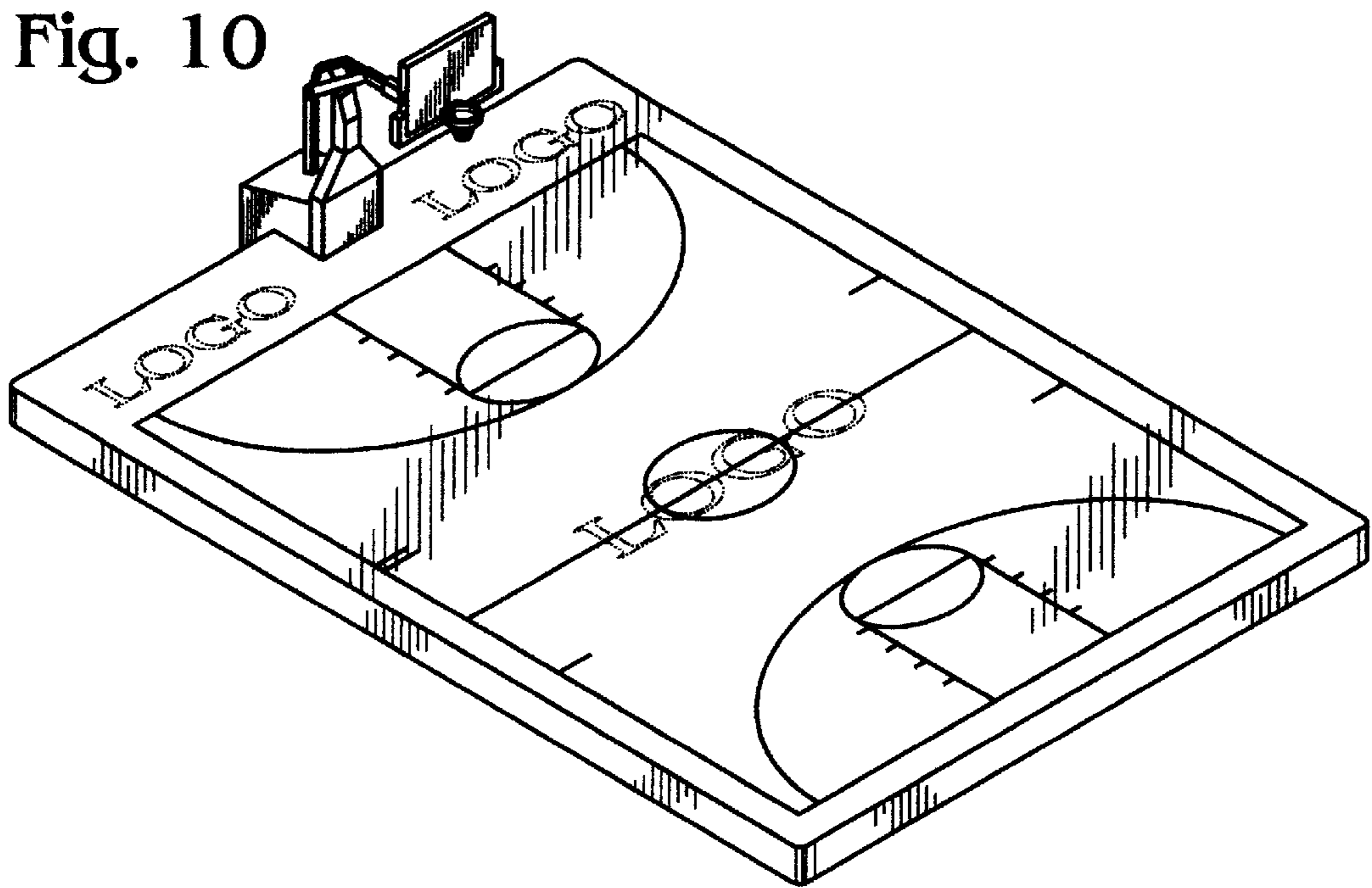


Fig. 10



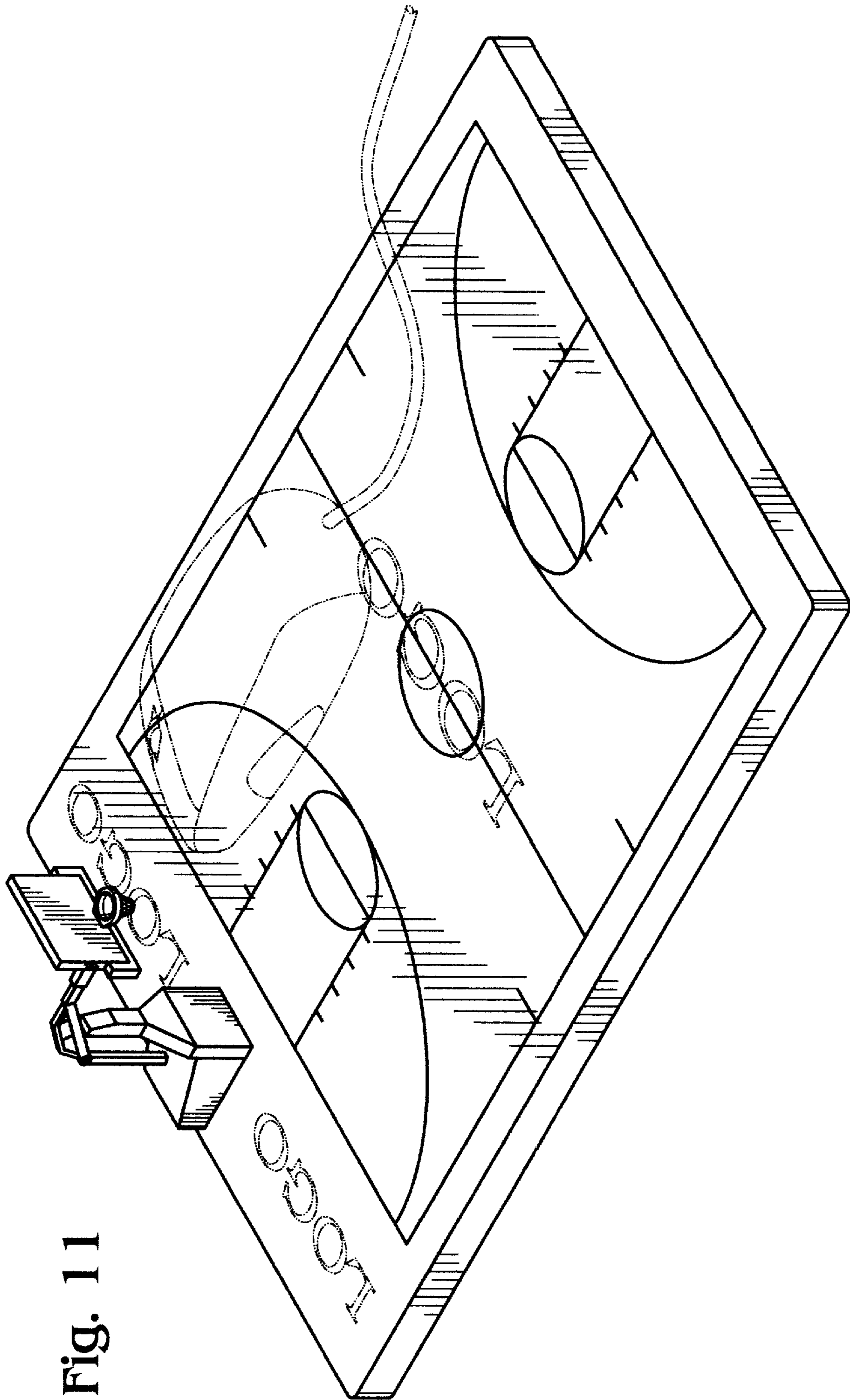


Fig. 11