



US00D476333S

(12) **United States Design Patent**  
**Lee**

(10) **Patent No.:** **US D476,333 S**

(45) **Date of Patent:** **\*\* Jun. 24, 2003**

(54) **DISPLAY FOR COMPUTER**

(75) Inventor: **Dong-Hun Lee**, Seoul (KR)

(73) Assignee: **LG Electronics Inc.**, Seoul (KR)

(\*\*) Term: **14 Years**

(21) Appl. No.: **29/160,333**

(22) Filed: **May 9, 2002**

(30) **Foreign Application Priority Data**

Nov. 9, 2001 (KR) ..... 2001-0031418

(51) **LOC (7) Cl.** ..... **14-02**

(52) **U.S. Cl.** ..... **D14/375**

(58) **Field of Search** ..... D14/371, 374,  
D14/125-129; 248/917-924; 345/104, 156,  
168, 173; 348/180, 184, 325, 739; 349/1,  
2, 11, 62

(56) **References Cited**

**U.S. PATENT DOCUMENTS**

D357,468 S \* 4/1995 Rodd ..... D14/375

D401,574 S \* 11/1998 Leman et al. .... D14/375

D416,876 S \* 11/1999 Yin ..... D14/375

D426,200 S \* 6/2000 Aeschbacher et al. .... D14/375

\* cited by examiner

*Primary Examiner*—Freda Nunn

(74) *Attorney, Agent, or Firm*—Birch, Stewart, Kolasch & Birch, LLP

(57) **CLAIM**

The ornamental design for a display for computer, as shown and described.

**DESCRIPTION**

FIG. 1 is perspective view of the display for computer;  
FIG. 2 is a front view thereof;  
FIG. 3 is a rear view thereof;  
FIG. 4 is a left side view thereof, the right side being a mirror image;  
FIG. 5 is a top plan view thereof; and,  
FIG. 6 is a bottom plan view thereof.

**1 Claim, 4 Drawing Sheets**

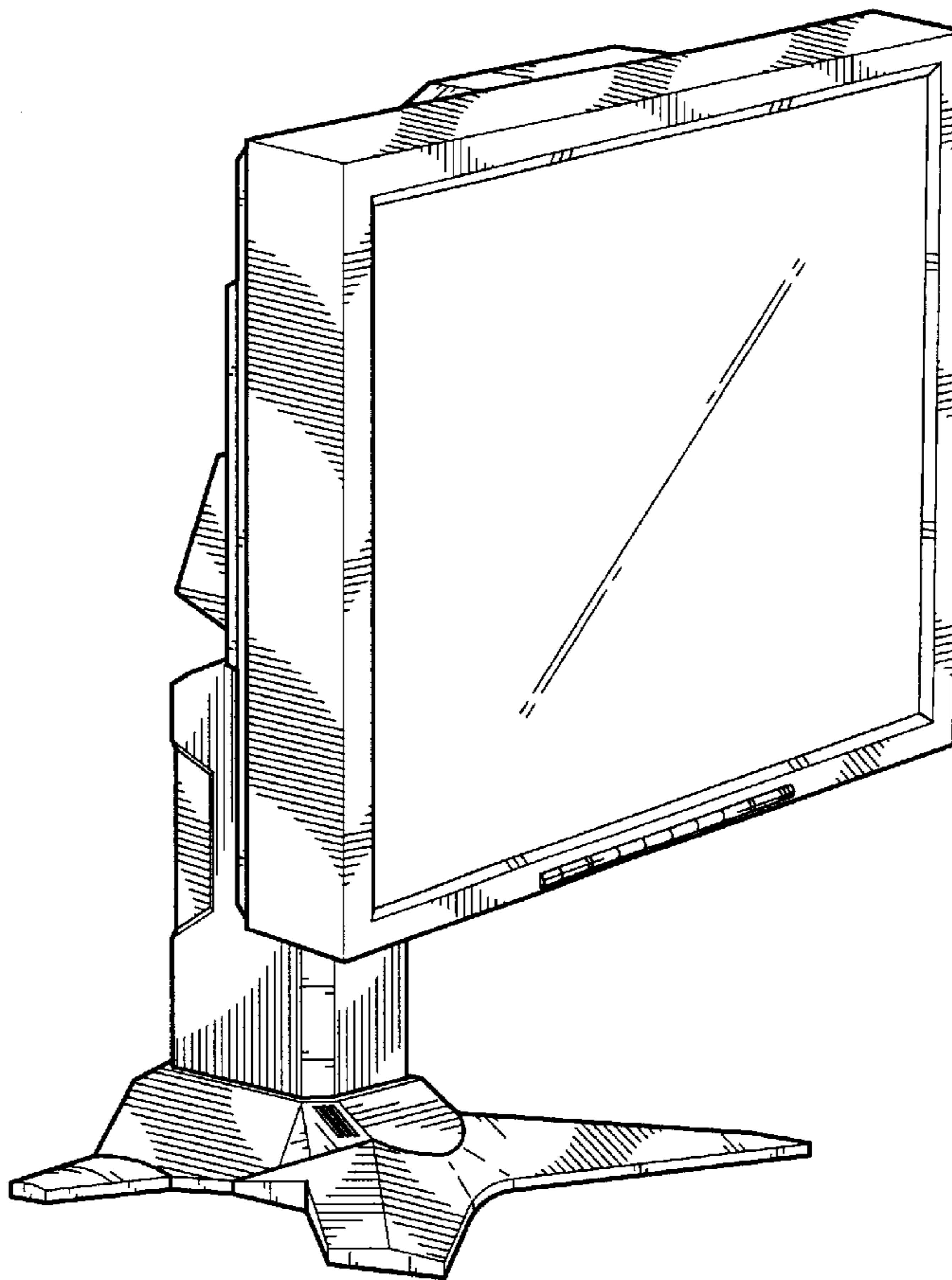


FIG. 1

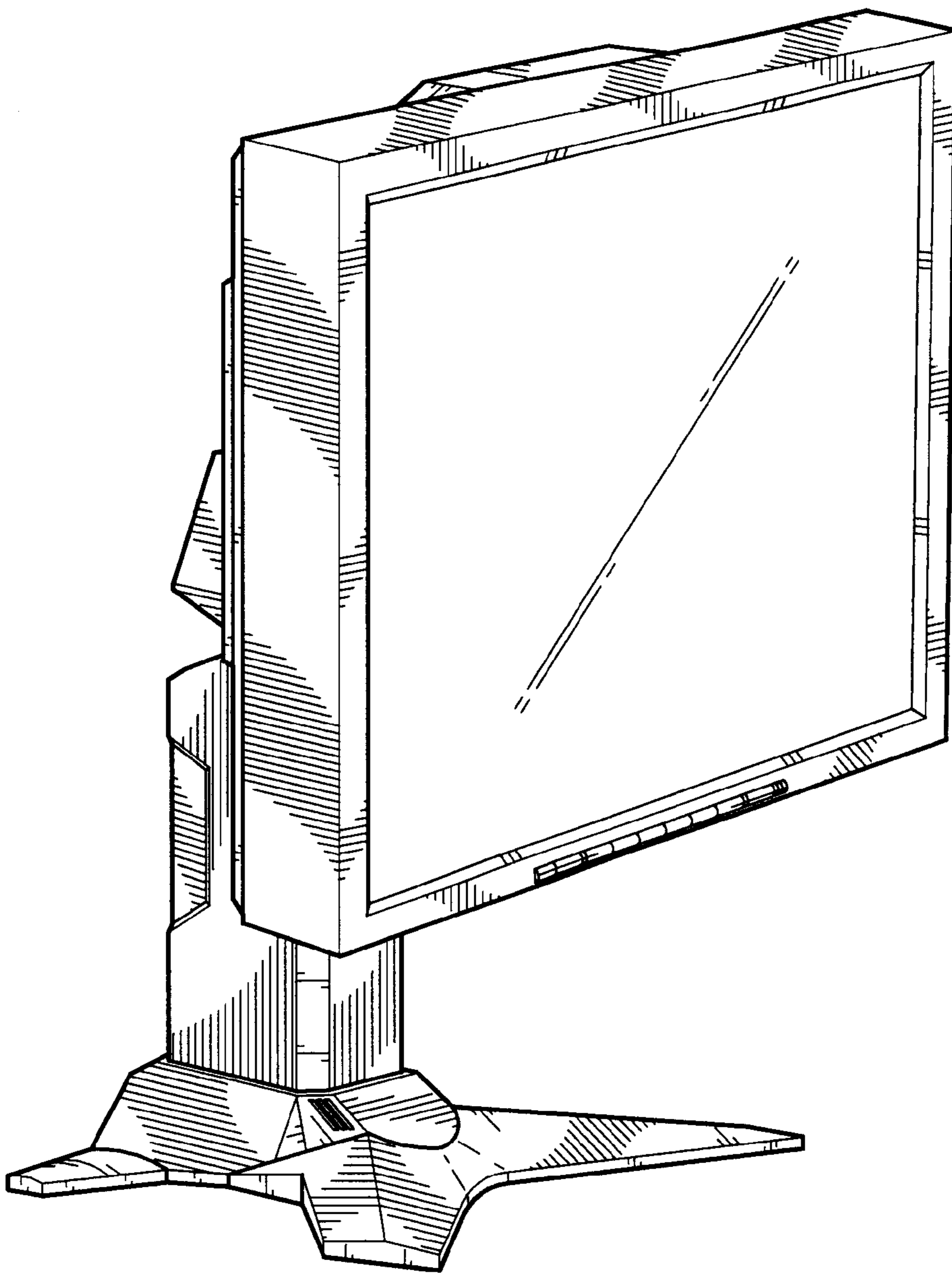


FIG. 2

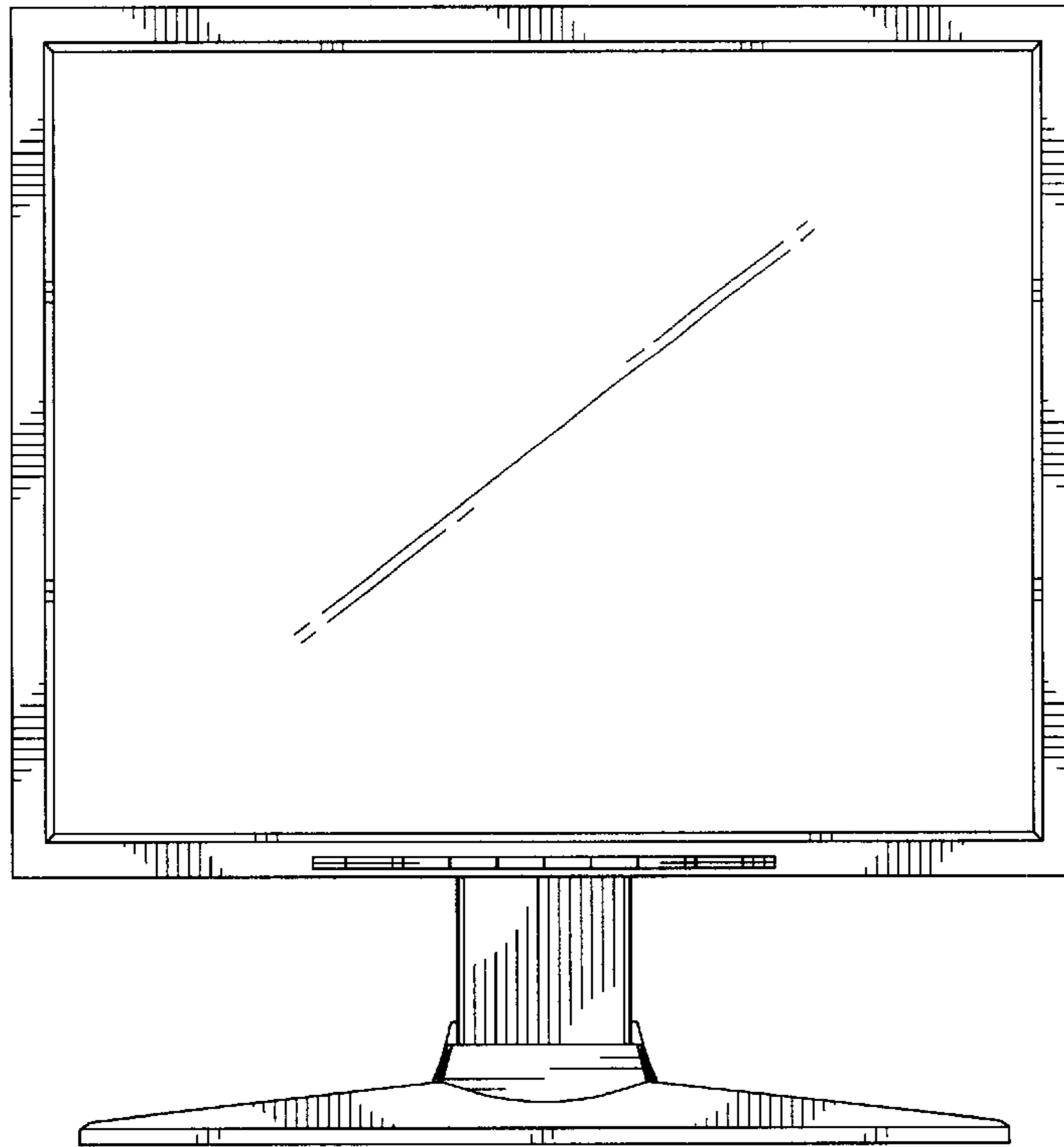


FIG. 3

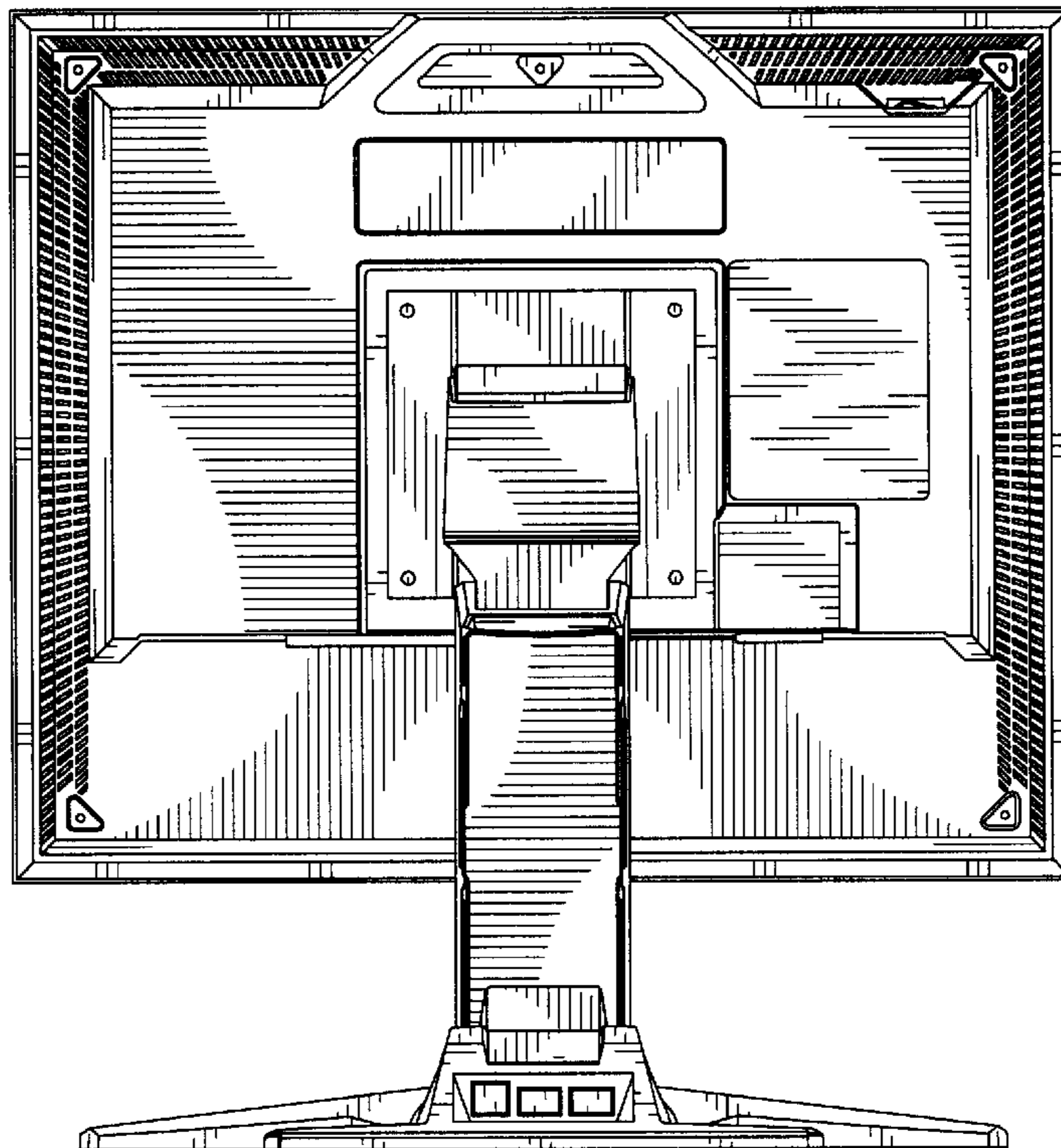


FIG. 4

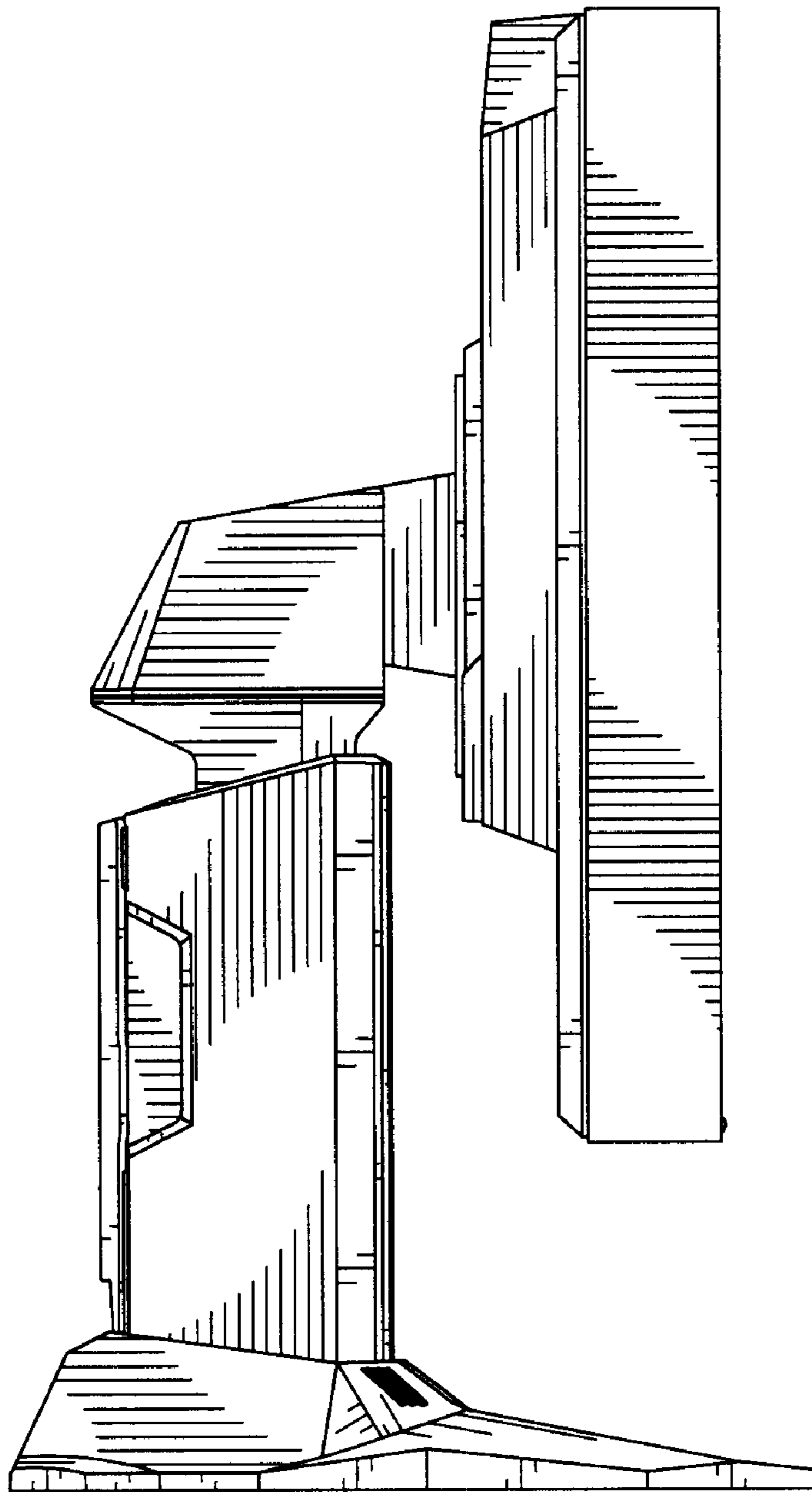


FIG. 5

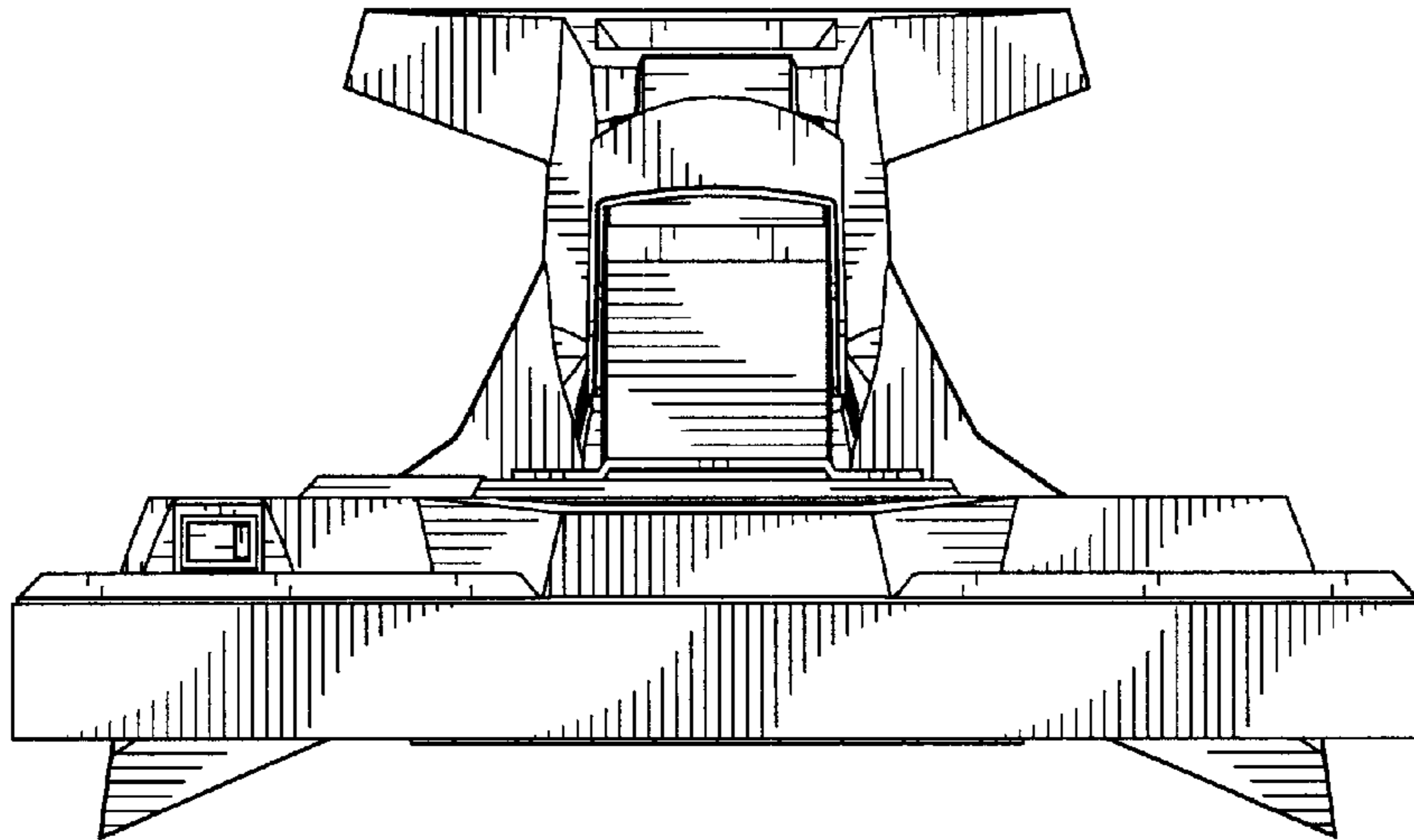


FIG. 6

