



US00D476332S

(12) **United States Design Patent**  
**Lin**

(10) **Patent No.:** **US D476,332 S**

(45) **Date of Patent:** **\*\* Jun. 24, 2003**

(54) **LIQUID CRYSTAL DISPLAY**

D417,659 S \* 12/1999 Takemasa ..... D14/374  
D445,109 S \* 7/2001 Tracy ..... D14/374

(75) Inventor: **Roger Lin**, Taipei (TW)

\* cited by examiner

(73) Assignee: **Hannstar Display Corp.**, Taipei (TW)

*Primary Examiner*—Freda Nunn

(\*\*) Term: **14 Years**

(57) **CLAIM**

(21) Appl. No.: **29/162,379**

The ornamental design for a liquid crystal display, as shown and described.

(22) Filed: **Jun. 13, 2002**

(51) **LOC (7) Cl.** ..... **14-02**

(52) **U.S. Cl.** ..... **D14/374**

(58) **Field of Search** ..... D14/371, 374,  
D14/375, 125-129; 248/917-924; 345/104,  
156, 168, 173; 348/180, 184, 325, 739;  
349/1, 2, 11, 62; 341/12

**DESCRIPTION**

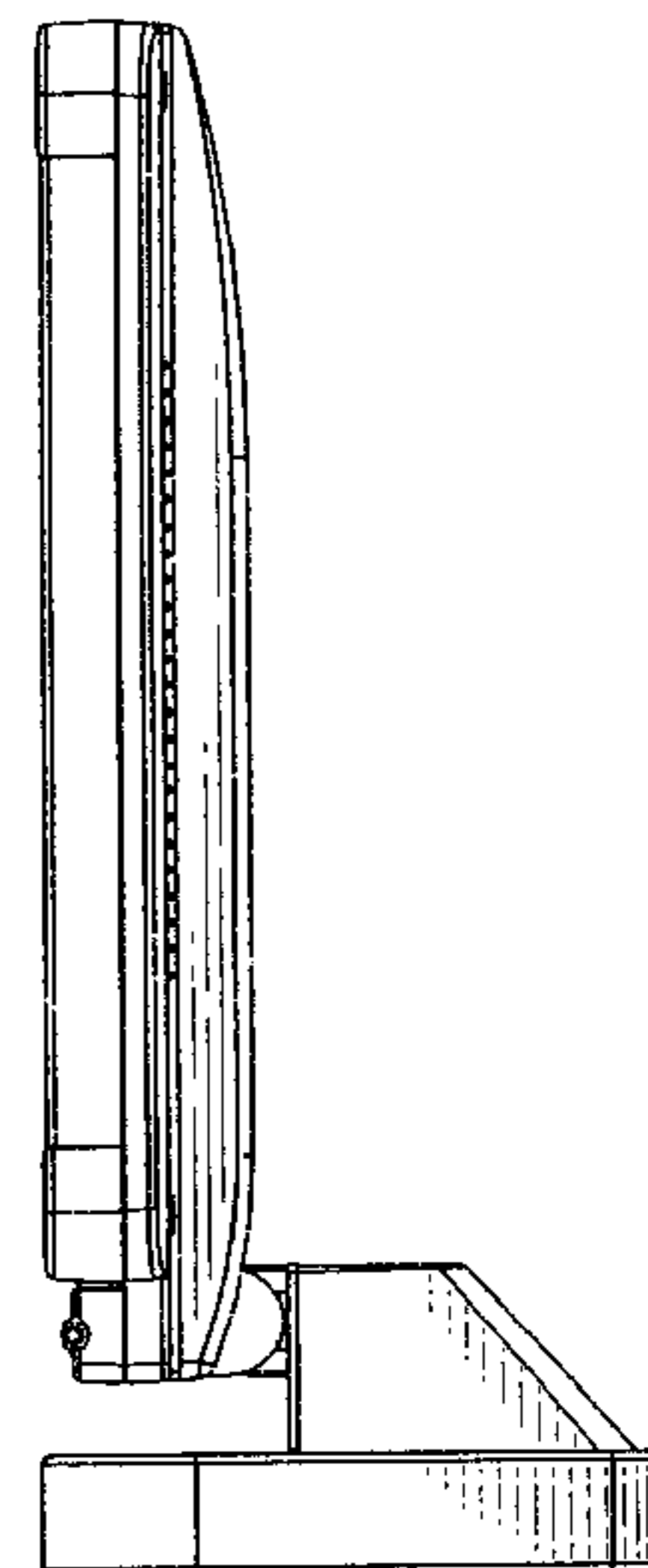
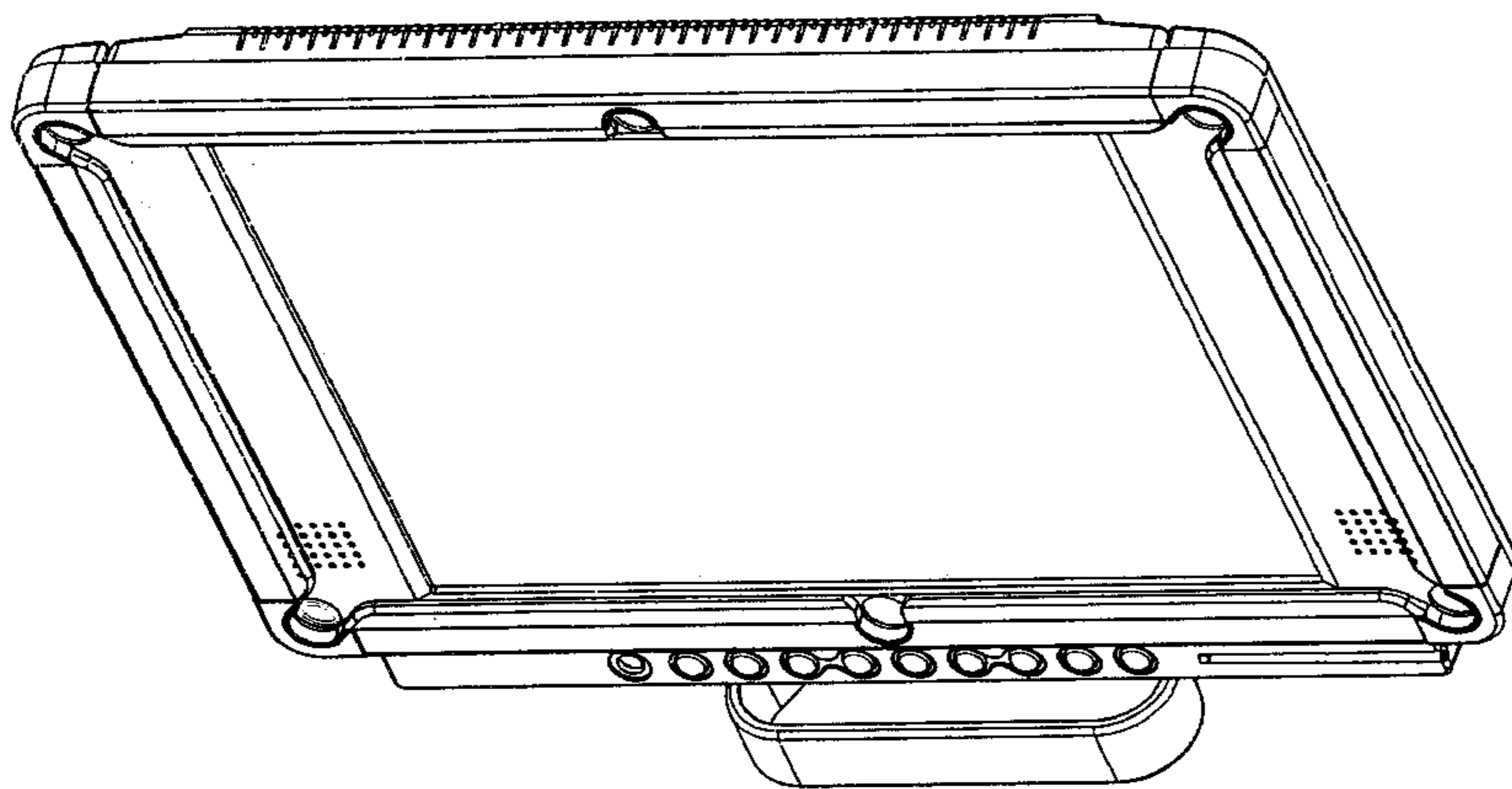
FIG. 1 is a front perspective view thereof;  
FIG. 2 is a right side elevational view thereof;  
FIG. 3 is a top plane view thereof;  
FIG. 4 is a front elevational view thereof;  
FIG. 5 is a bottom plane view thereof;  
FIG. 6 is a left side elevational view thereof; and,  
FIG. 7 is a rear elevational view thereof.

(56) **References Cited**

**U.S. PATENT DOCUMENTS**

D305,646 S \* 1/1990 Kato et al. .... D14/375

**1 Claim, 7 Drawing Sheets**



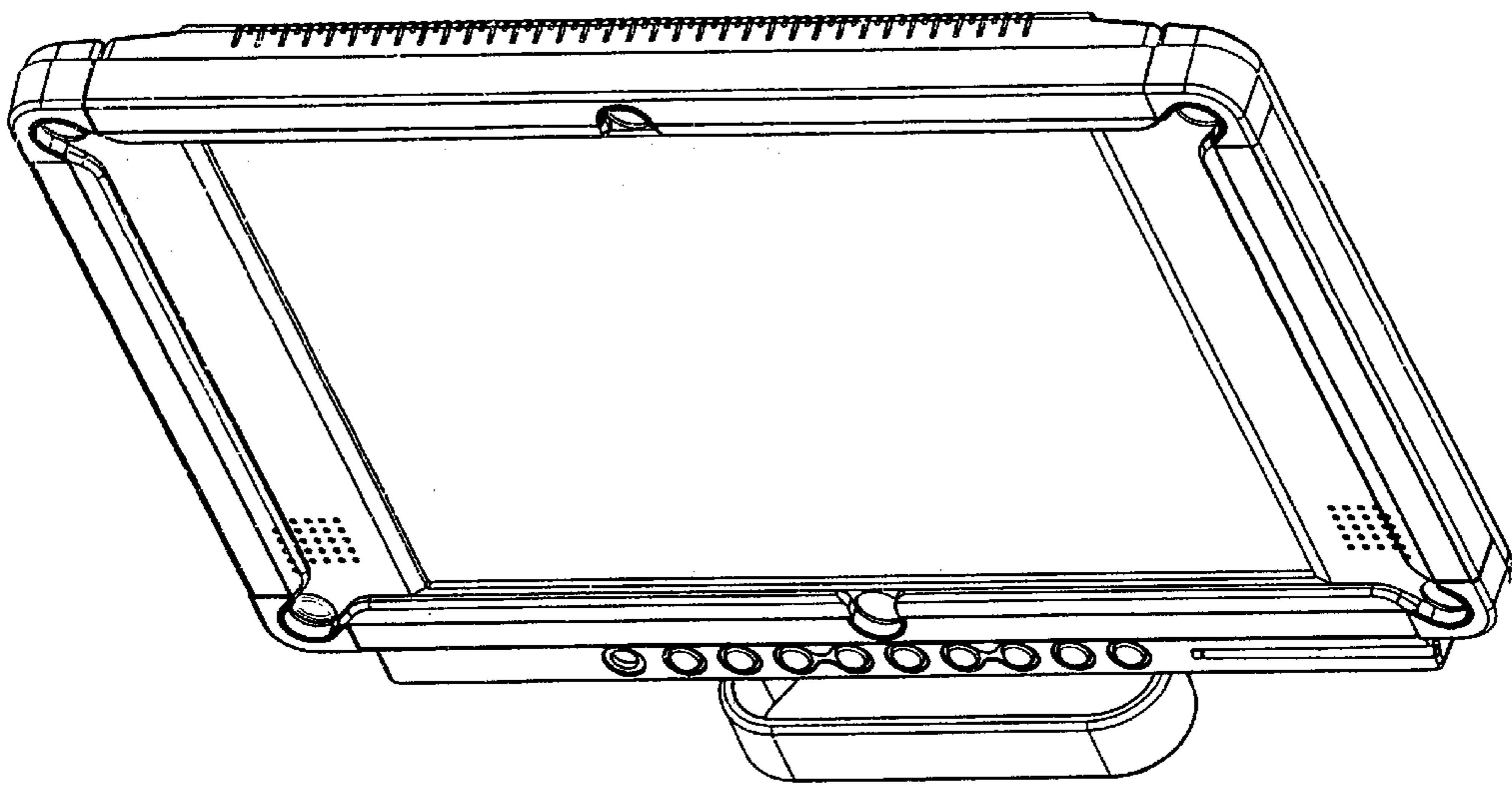


Fig.1

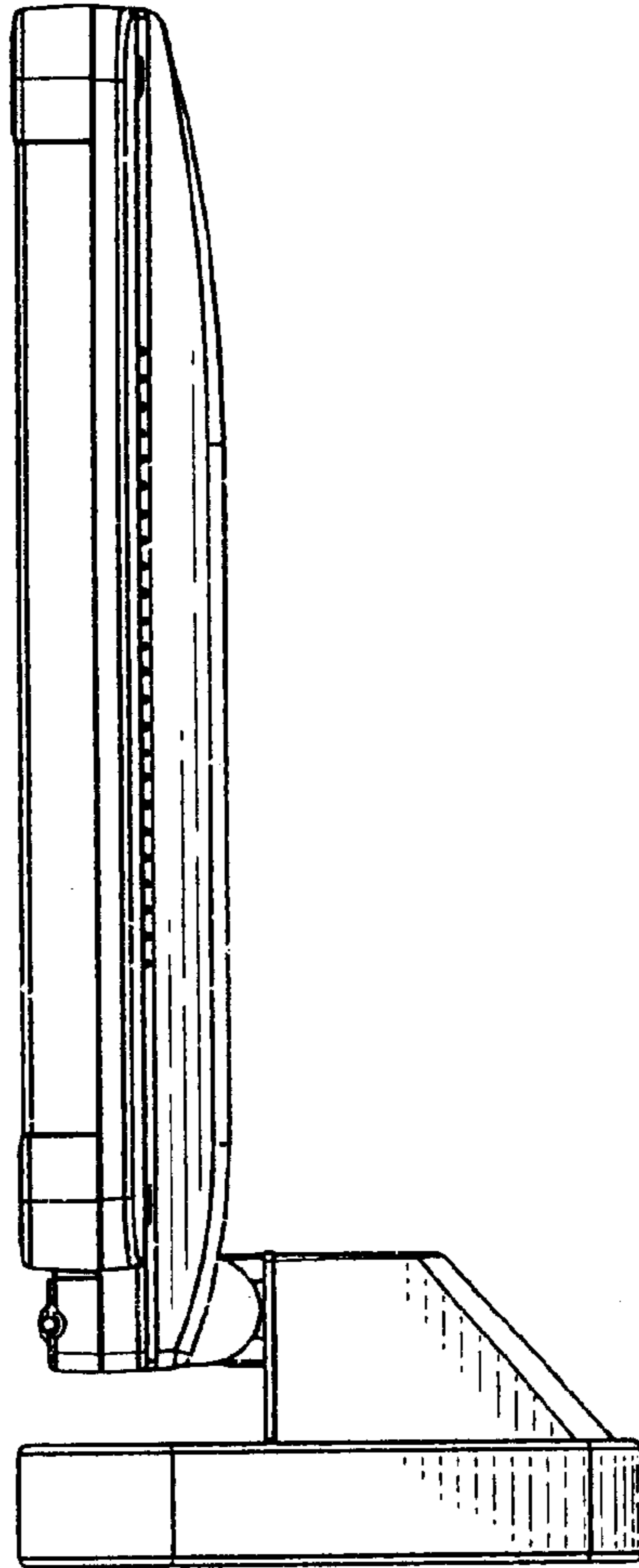


Fig. 2

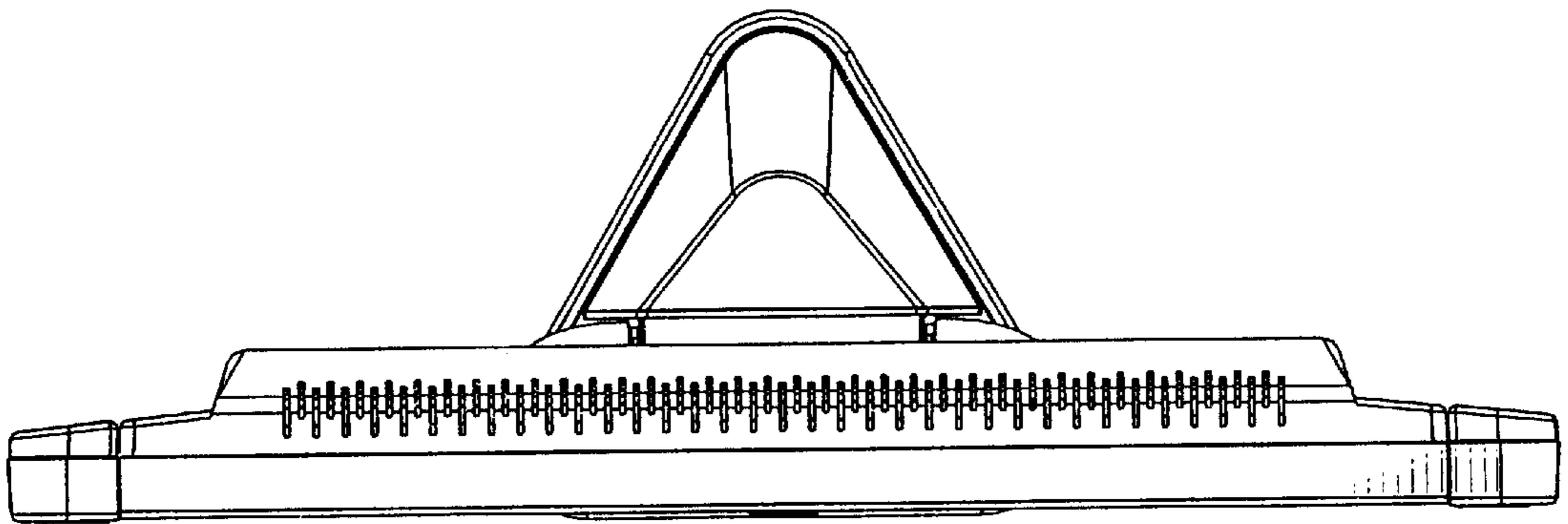


Fig. 3

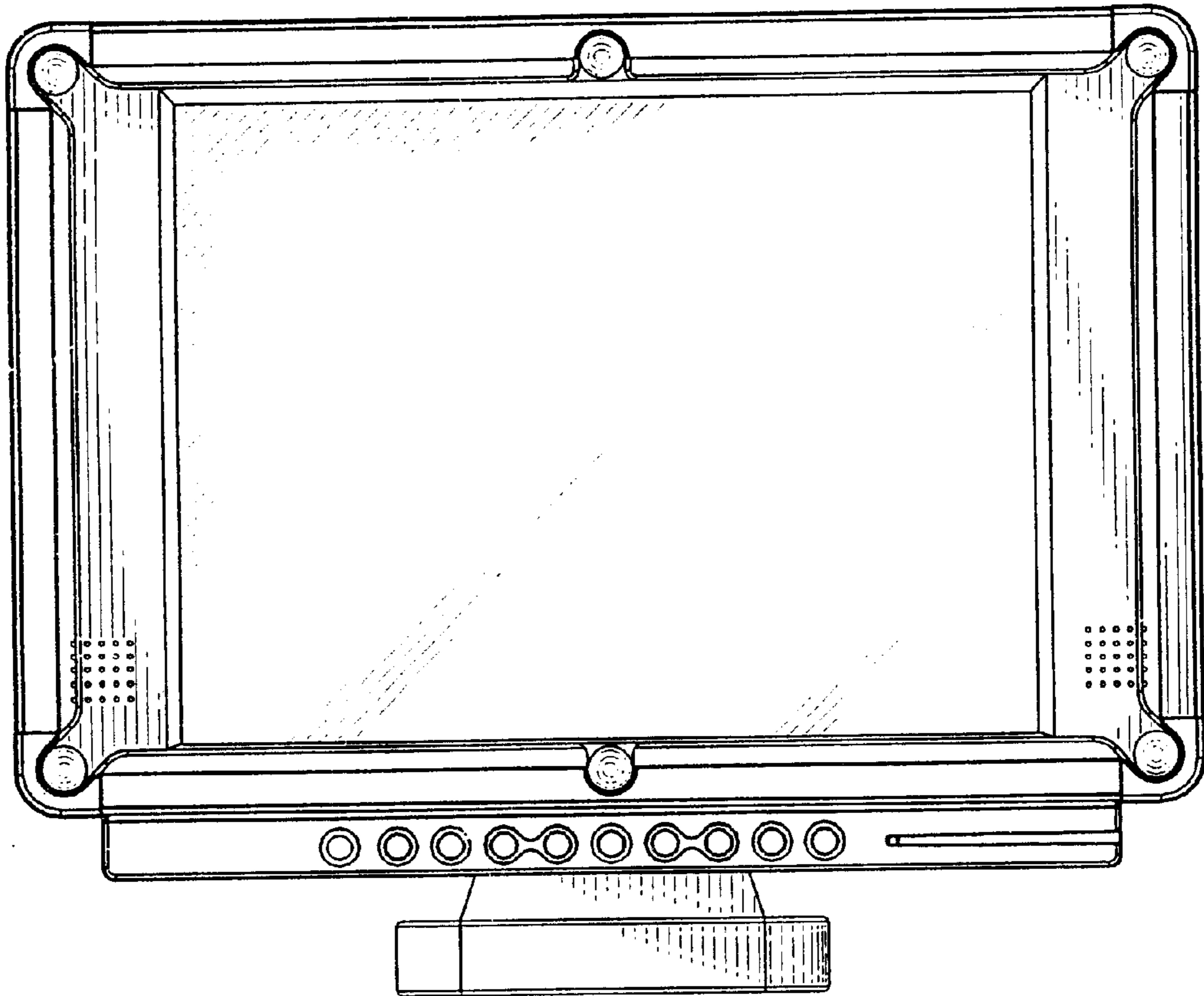


Fig. 4

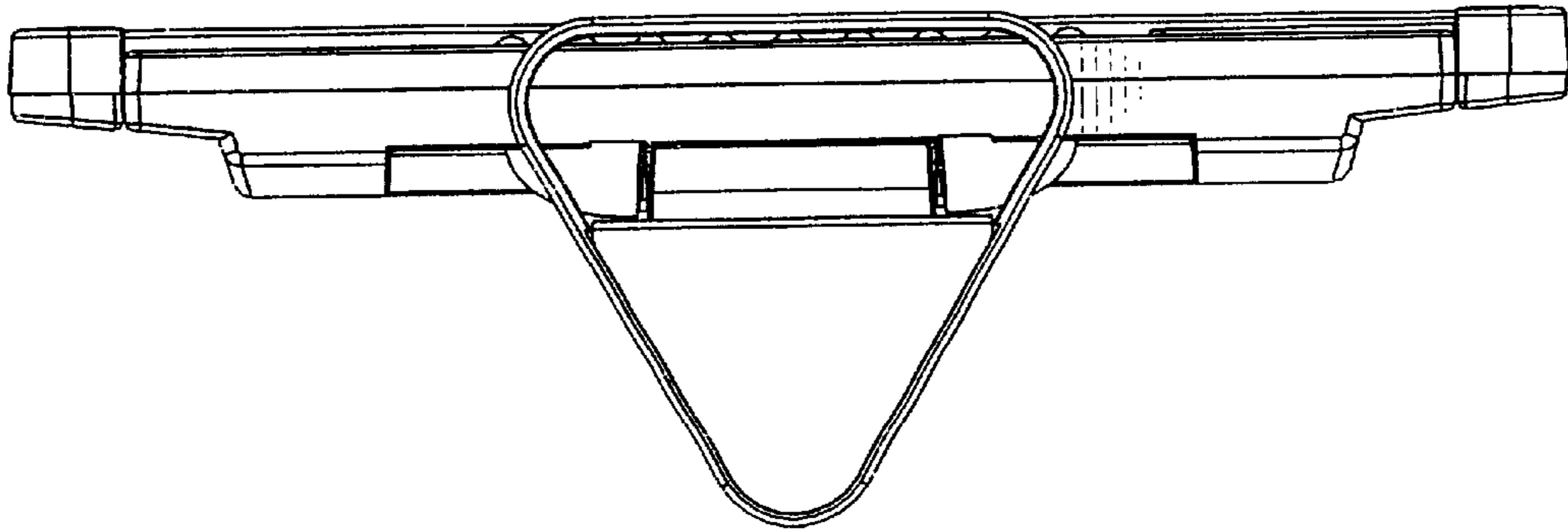


Fig. 5

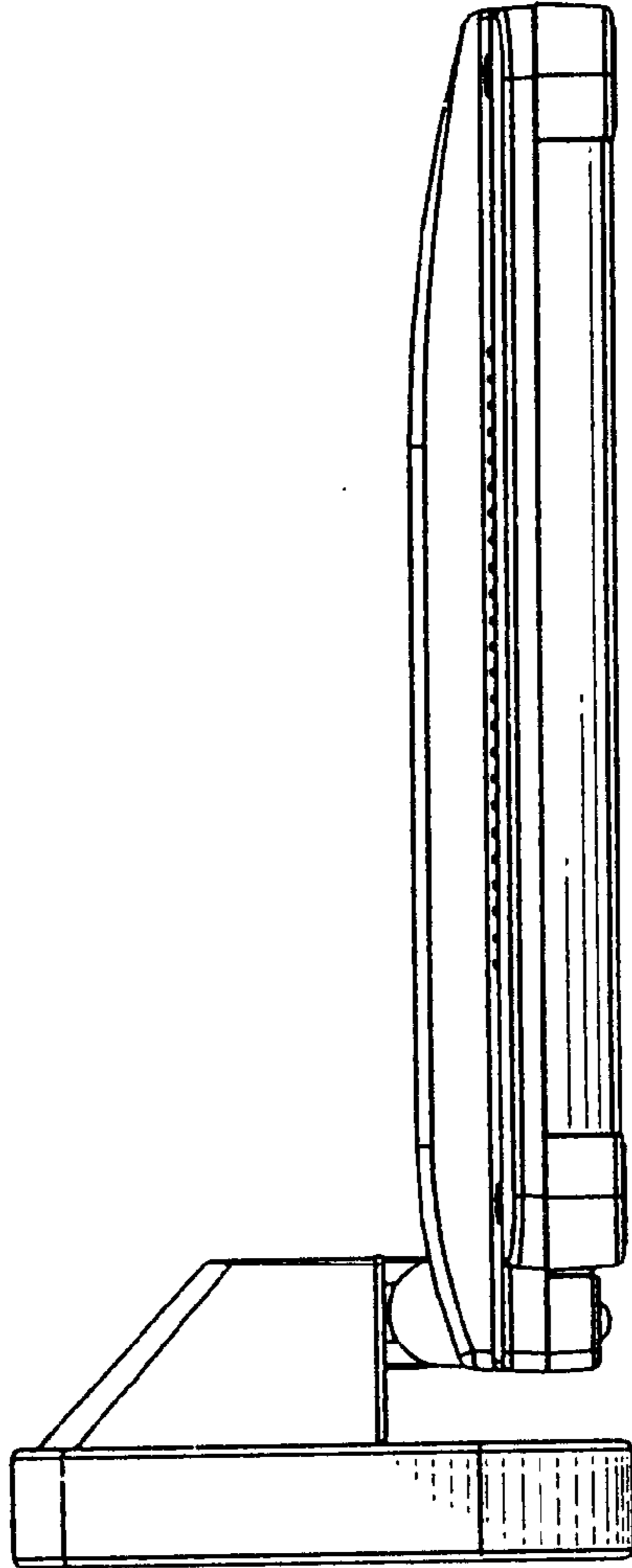


Fig. 6

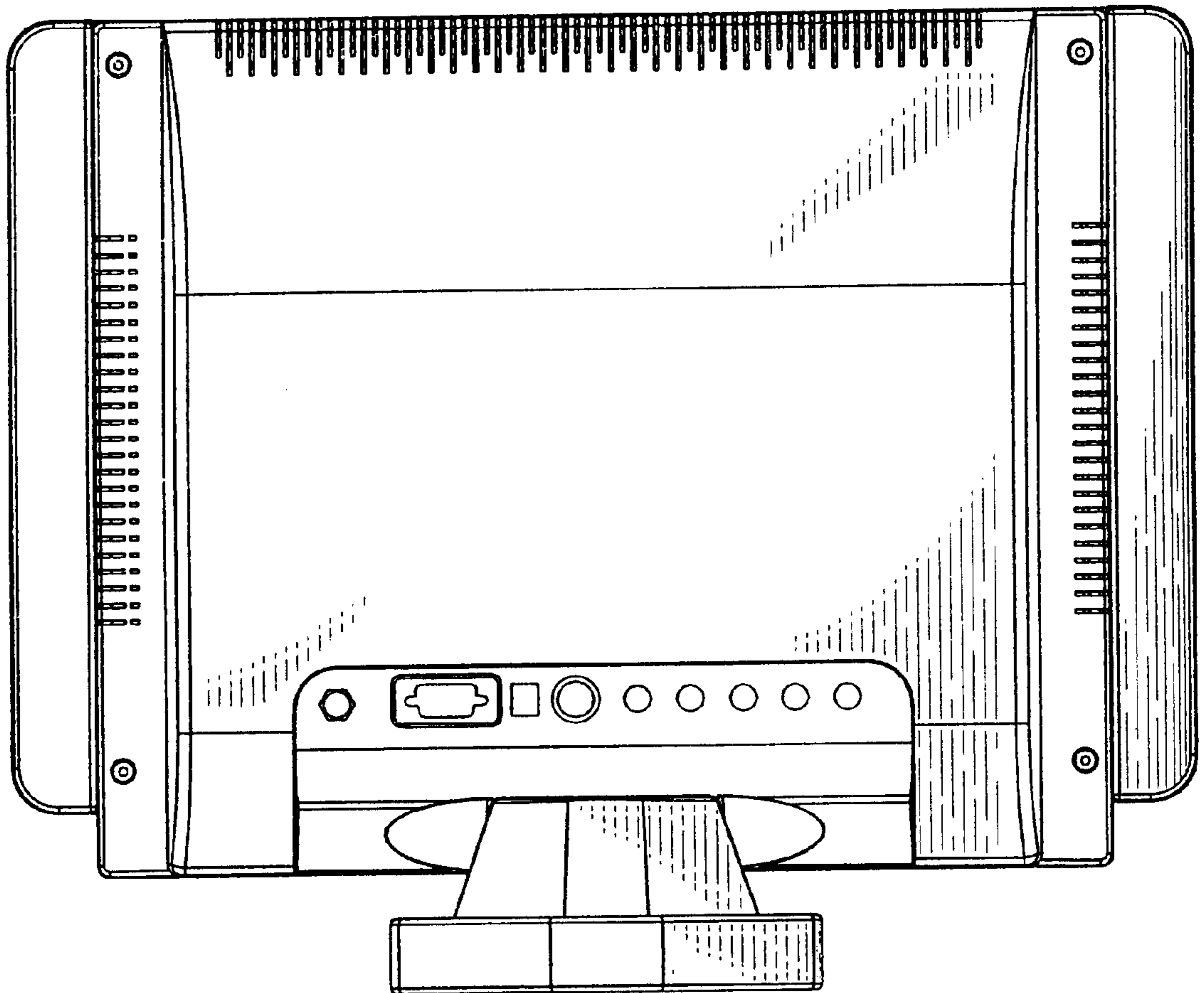


Fig. 7