



US00D476326S

(12) **United States Design Patent**
Tanimura

(10) **Patent No.:** **US D476,326 S**

(45) **Date of Patent:** **** Jun. 24, 2003**

(54) **COMPUTER**

(75) **Inventor:** **Yoichi Tanimura, Nara-ken (JP)**

(73) **Assignee:** **Sharp Kabushiki Kaisha, Osaka (JP)**

(**) **Term:** **14 Years**

(21) **Appl. No.:** **29/163,344**

(22) **Filed:** **Jul. 3, 2002**

(30) **Foreign Application Priority Data**

Jan. 9, 2002 (JP) 2002-000256

(51) **LOC (7) Cl.** **14-02**

(52) **U.S. Cl.** **D14/318**

(58) **Field of Search** D14/318, 319,
D14/323, 326, 315; D18/1, 2, 7; 235/145 A,
145 R; 341/22, 23; 345/104, 156, 168,
173; 361/680-686; 364/708.1; 400/486,
489

(56) **References Cited**

U.S. PATENT DOCUMENTS

D330,016 S	10/1992	Mizusugi et al.
D334,182 S	3/1993	Mizusugi et al.
D335,124 S	4/1993	Mizusugi et al.
D338,880 S	8/1993	Mizusugi et al.
D339,114 S	9/1993	Mizusugi et al.
D340,920 S	11/1993	Okuda et al.
D340,921 S	11/1993	Mizusugi et al.
D343,167 S	1/1994	Mizusugi et al.
D344,496 S	2/1994	Mizusugi et al.
D357,674 S	4/1995	Mizusugi
D384,043 S	9/1997	Tamaki

D385,856 S	11/1997	Kawa	
D396,703 S	* 8/1998	Han D14/318
D398,904 S	9/1998	Tamaki et al.	
D403,308 S	* 12/1998	Fukunaga D14/318
D405,434 S	2/1999	Mizuno	
D411,181 S	6/1999	Tamaki et al.	
D413,107 S	8/1999	Kawa et al.	
D415,466 S	10/1999	Kawa	
D419,535 S	1/2000	Tanimura	
D421,972 S	3/2000	Makidera et al.	
D425,874 S	5/2000	Tanimura	
6,067,224 A	* 5/2000	Nobuchi 361/683
D426,835 S	6/2000	Tanimura	
D444,462 S	7/2001	Tsuji	

* cited by examiner

Primary Examiner—Freda Nunn

(74) *Attorney, Agent, or Firm*—Nixon & Vanderhye

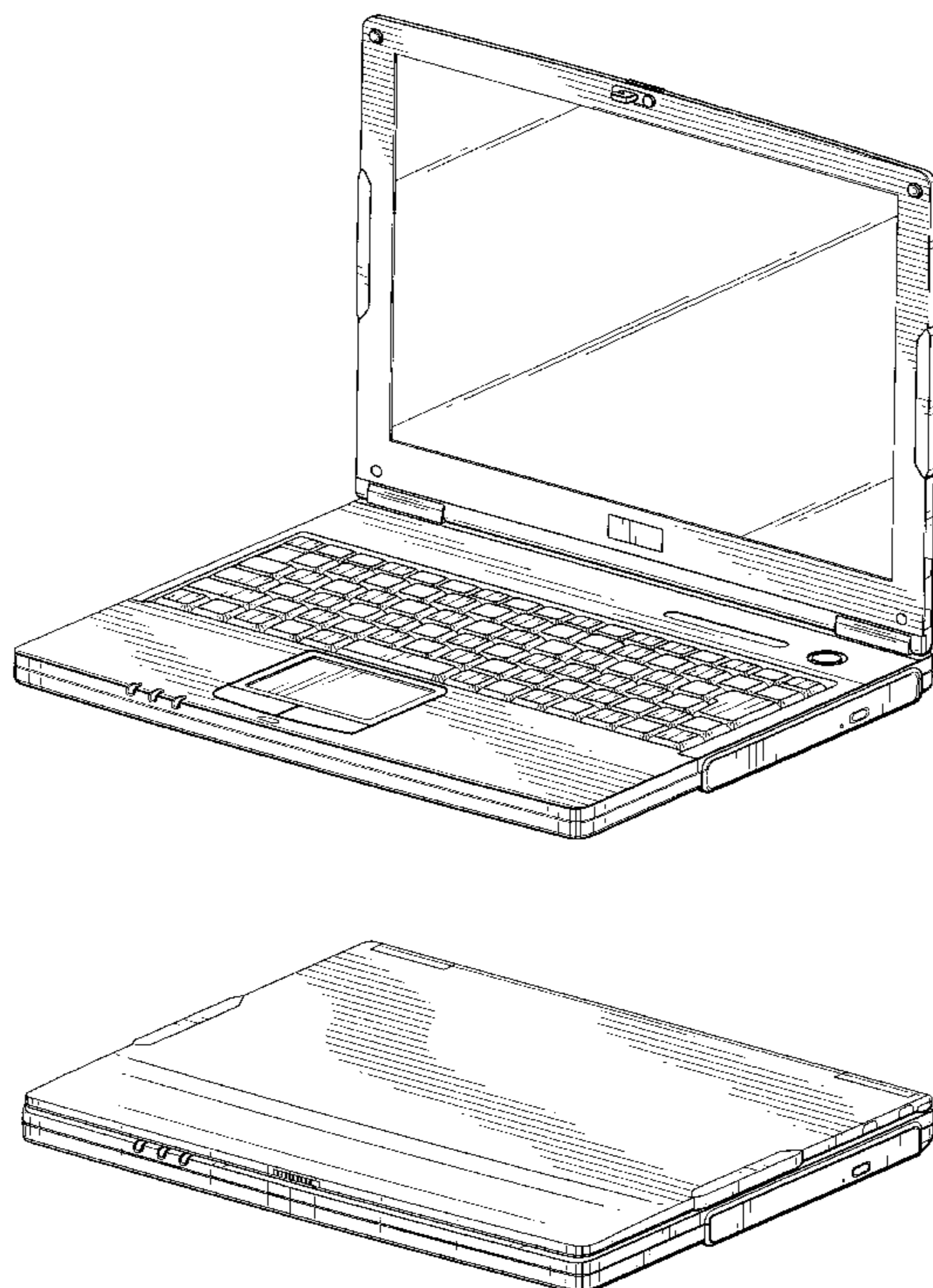
(57) **CLAIM**

The ornamental design for a “computer”, as shown and described.

DESCRIPTION

FIG. 1 is a top, front and right side perspective view of a computer according to my design;
FIG. 2 is a front elevational view thereof;
FIG. 3 is a rear elevational view thereof;
FIG. 4 is a top plan view thereof;
FIG. 5 is a right side elevational view thereof;
FIG. 6 is a bottom plan view thereof;
FIG. 7 is a left side elevational view thereof; and,
FIG. 8 is a top, front and right side perspective view of the computer in a closed condition.

1 Claim, 8 Drawing Sheets



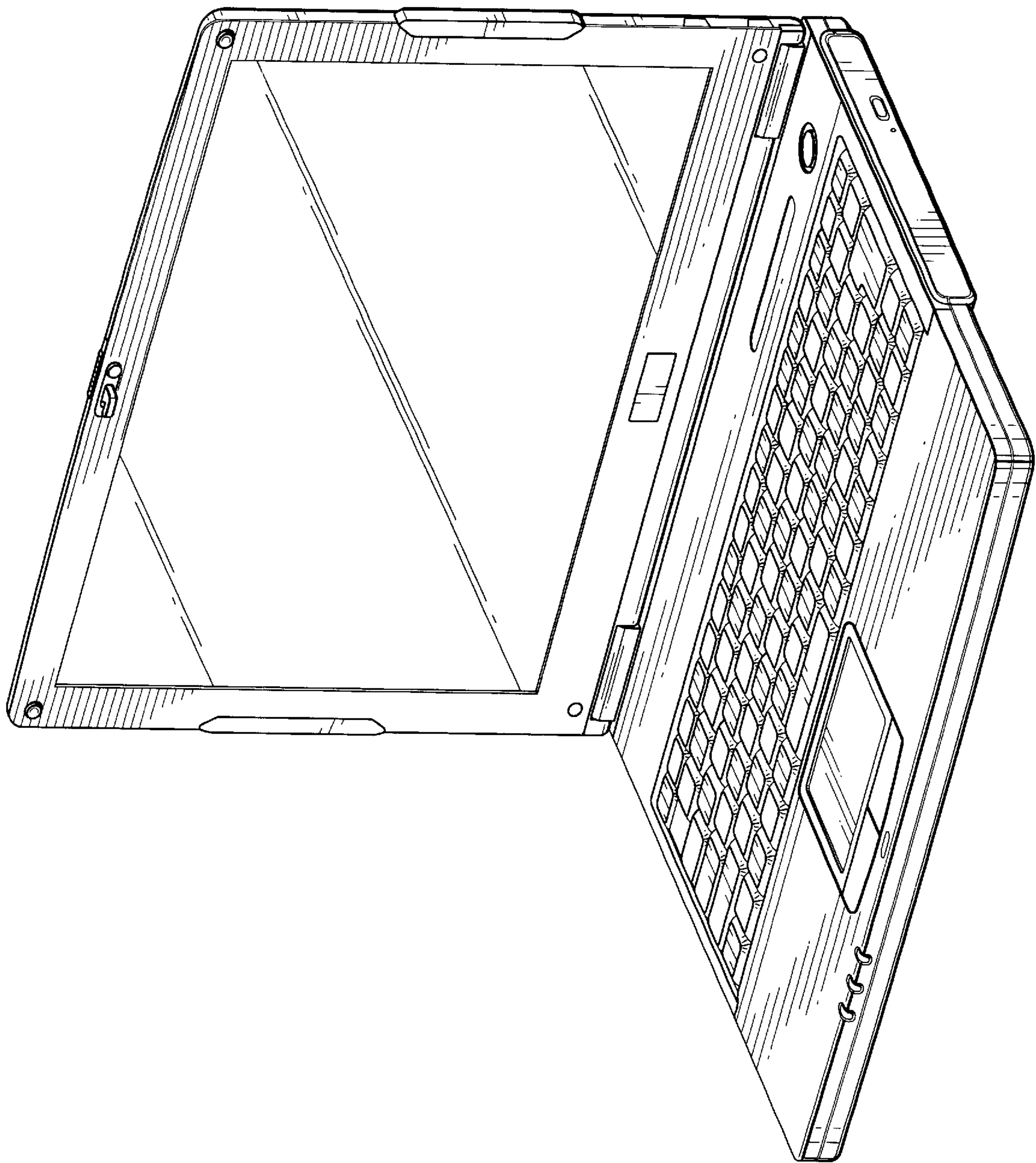


Fig. 1

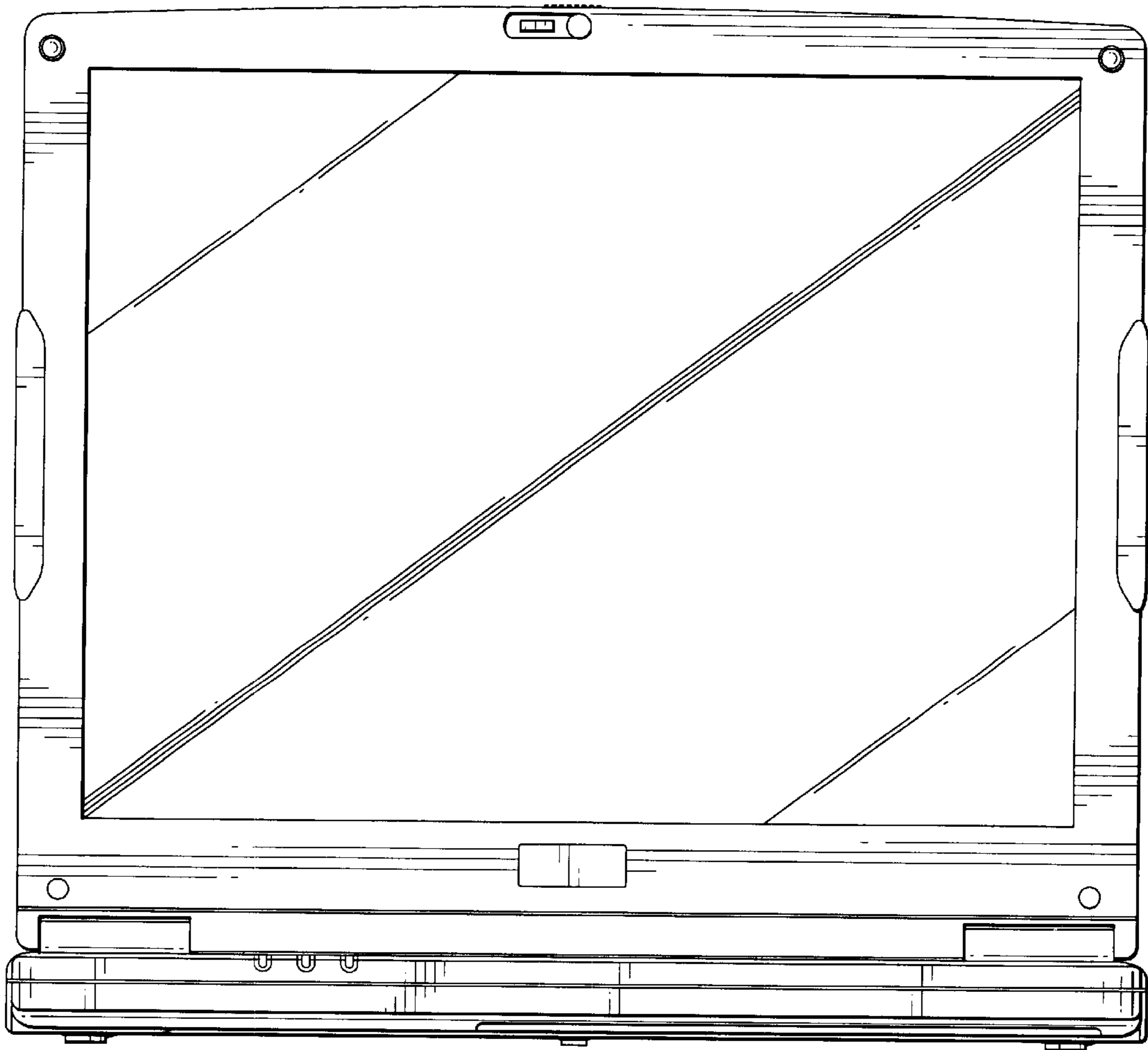


Fig. 2

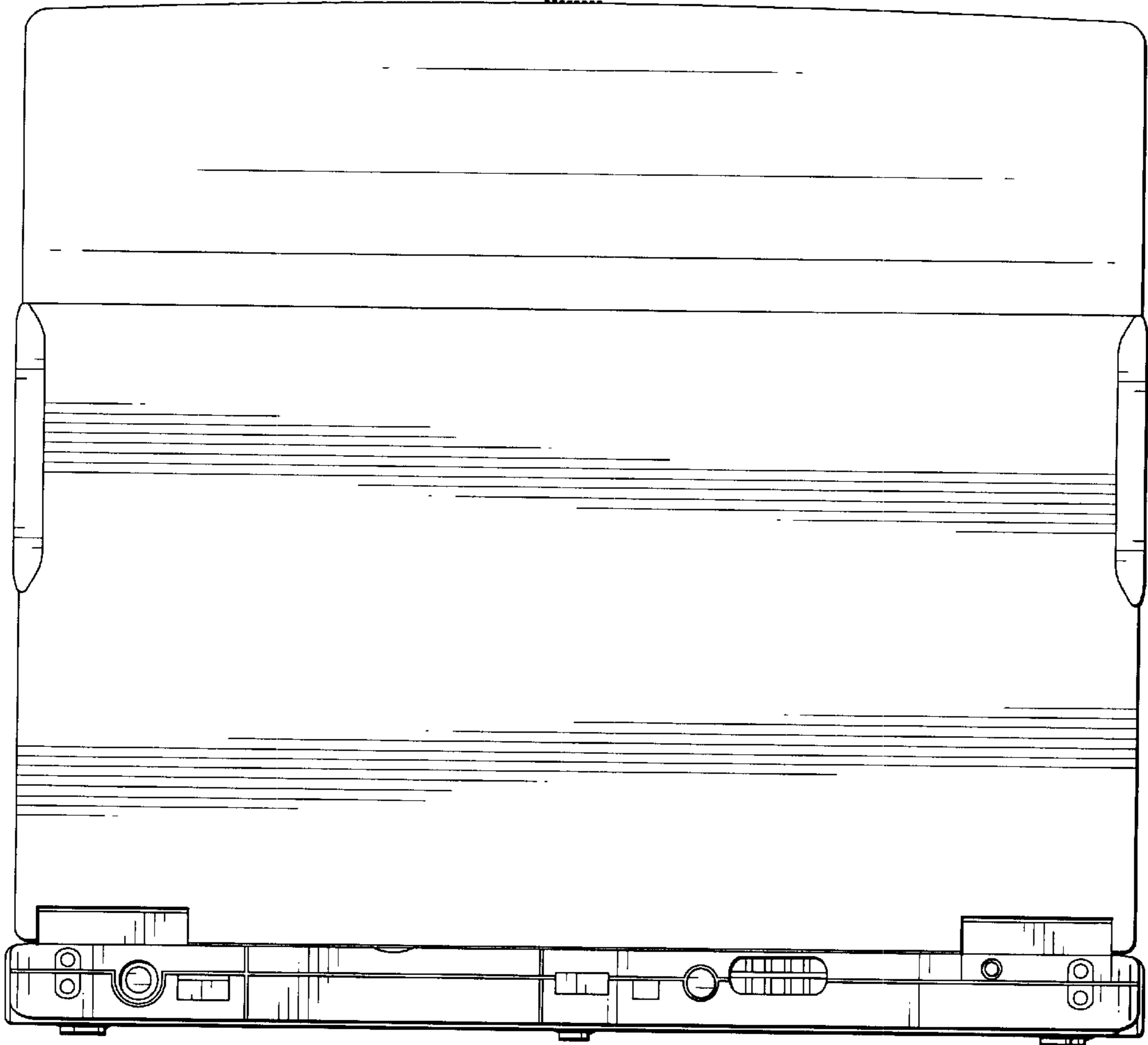


Fig. 3

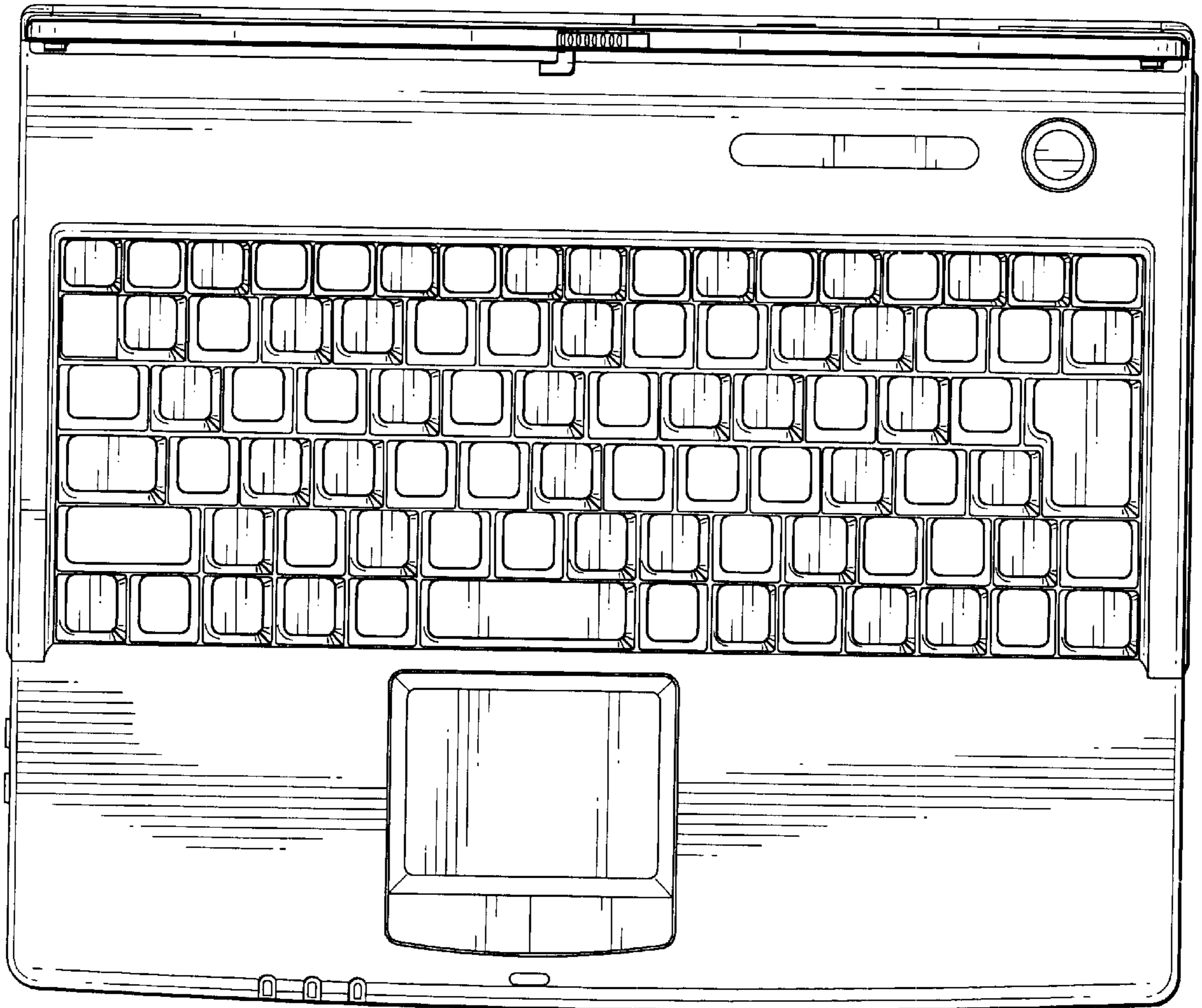


Fig. 4

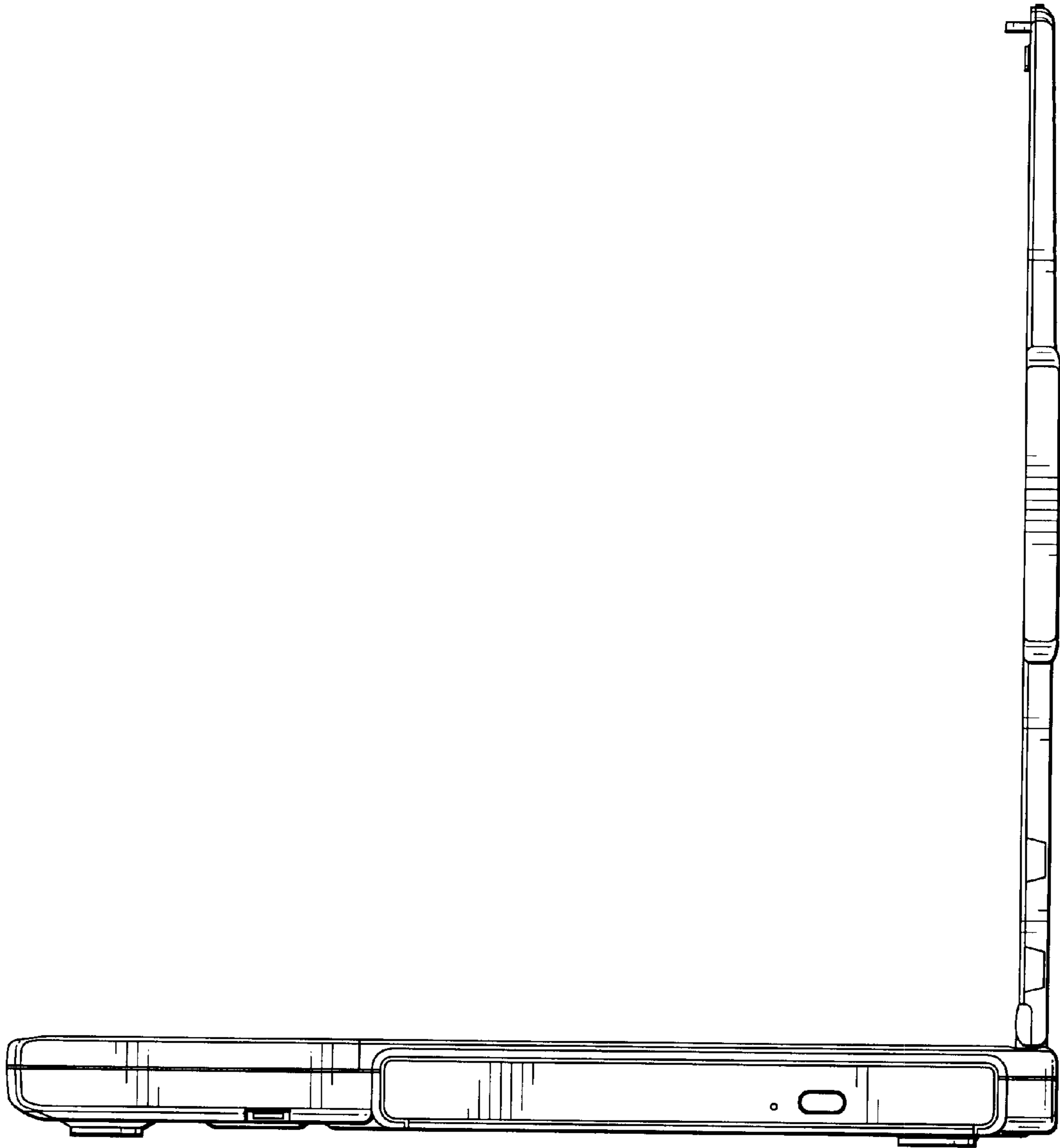


Fig. 5

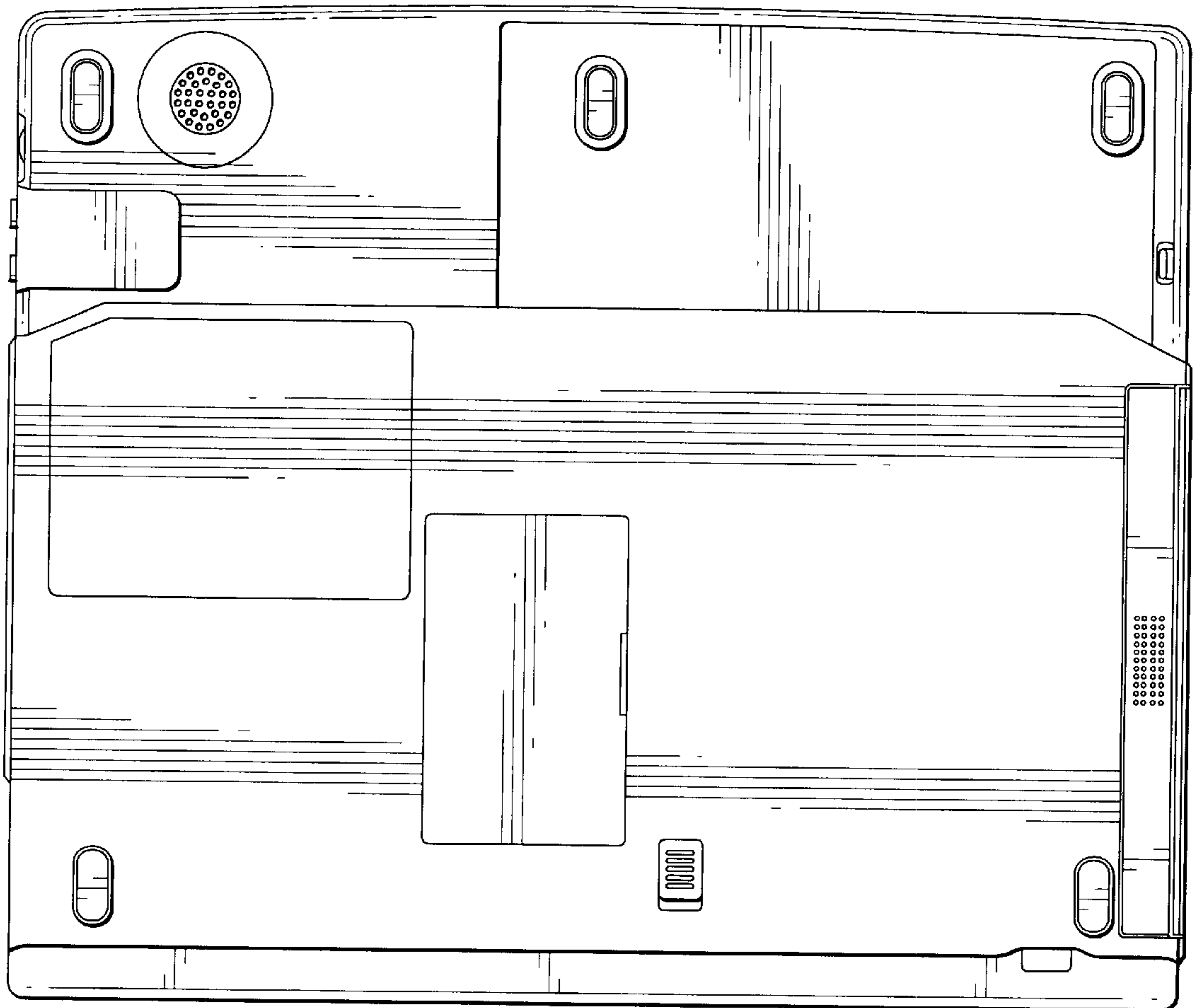


Fig. 6

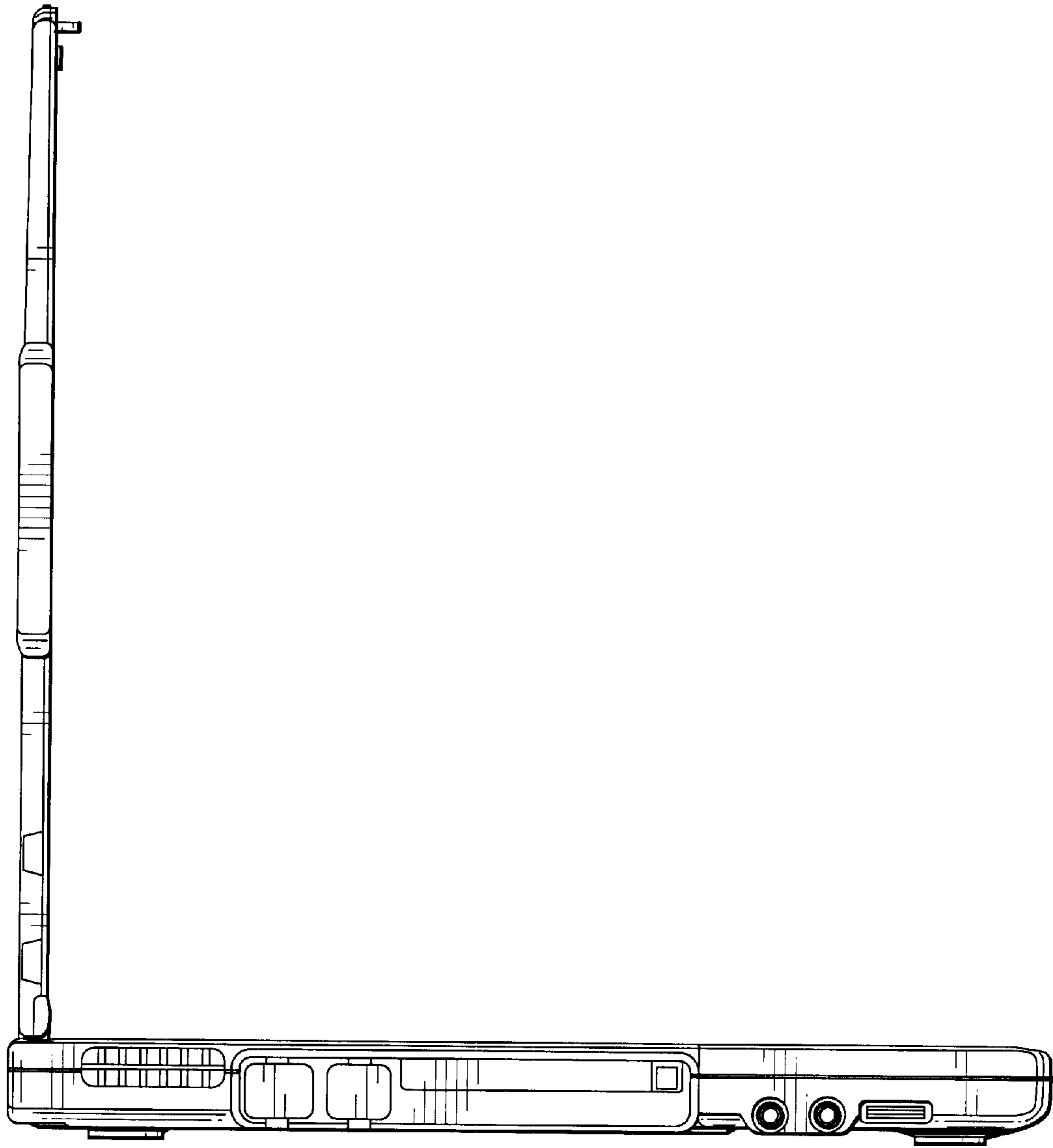


Fig. 7

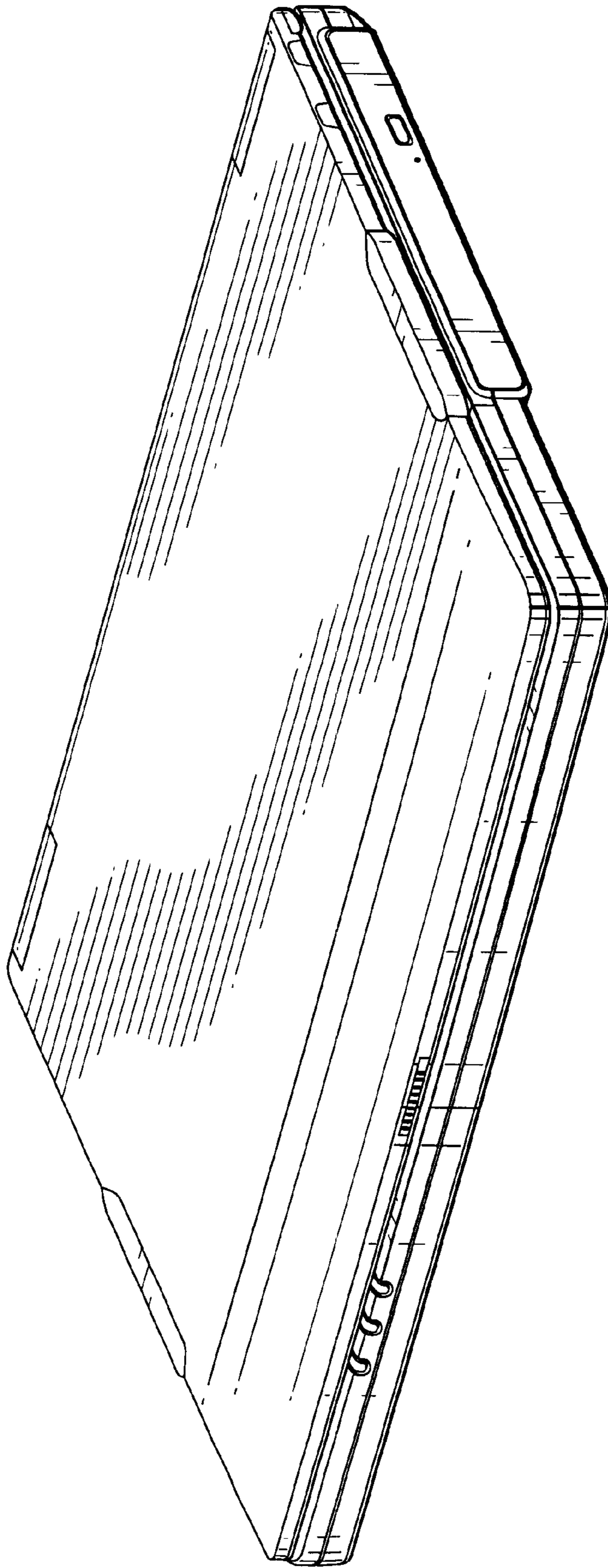


Fig. 8