



US00D476325S

(12) **United States Design Patent**
Monson et al.

(10) **Patent No.:** **US D476,325 S**

(45) **Date of Patent:** **** Jun. 24, 2003**

(54) **VIDEO DISPLAY CONSOLE**

D440,543 S * 4/2001 Kodimer D14/127
D455,423 S * 4/2002 Cellini et al. D14/305

(75) Inventors: **Robert J. Monson**, St. Paul, MN (US);
Michael E. Smith, St. Bonifacius, MN
(US); **Jianhua Yan**, Prior Lake, MN
(US); **Trevor J. McCollough**,
Minneapolis, MN (US); **Richard L.
Cellini**, Burnsville, MN (US)

* cited by examiner

Primary Examiner—Freda Nunn
(74) *Attorney, Agent, or Firm*—Patrick M. Hogan; Glenn
W. Bowen

(73) Assignee: **Lockheed Martin Corporation**,
Bethesda, MD (US)

(57) **CLAIM**

The ornamental design for a video display console, as shown
and described.

(**) Term: **14 Years**

DESCRIPTION

(21) Appl. No.: **29/159,600**

FIG. 1 is a top front and left side perspective view of a video
display console showing the new design;
FIG. 2 is a top rear and right side perspective thereof;
FIG. 3 is a left side view thereof;
FIG. 4 is a front view thereof;
FIG. 5 is a right side view thereof;
FIG. 6 is a rear side view thereof;
FIG. 7 is a top plan view thereof; and,
FIG. 8 is a bottom plan view thereof.

(22) Filed: **Apr. 24, 2002**

(51) **LOC (7) Cl.** **14-02**

(52) **U.S. Cl.** **D14/306**

(58) **Field of Search** D14/302–307,
D14/127; D13/162, 184, 199; 312/198,
223.1–223.3; 360/99.01–99.12; 361/680–686,
690–696

It will be understood that no claim is being made to the
headset shown, with respect to FIG. 1, on the left side of the
console, the coffee cup holder extending from the right side
of the console, the three auxiliary components on the right
hand side of the desk top surface of the console, nor the
auxiliary disk drive component shown on the bottom of the
console.

(56) **References Cited**

U.S. PATENT DOCUMENTS

- 4,113,331 A * 9/1978 Derdzinski et al. 312/198
- D339,571 S * 9/1993 Drabczyk et al. D14/306
- D340,229 S * 10/1993 Drabczyk et al. D14/306
- D372,226 S * 7/1996 Maguire, Jr. D14/306
- D401,227 S * 11/1998 Catta D14/305
- D436,354 S * 1/2001 Kodimer D14/306

1 Claim, 8 Drawing Sheets

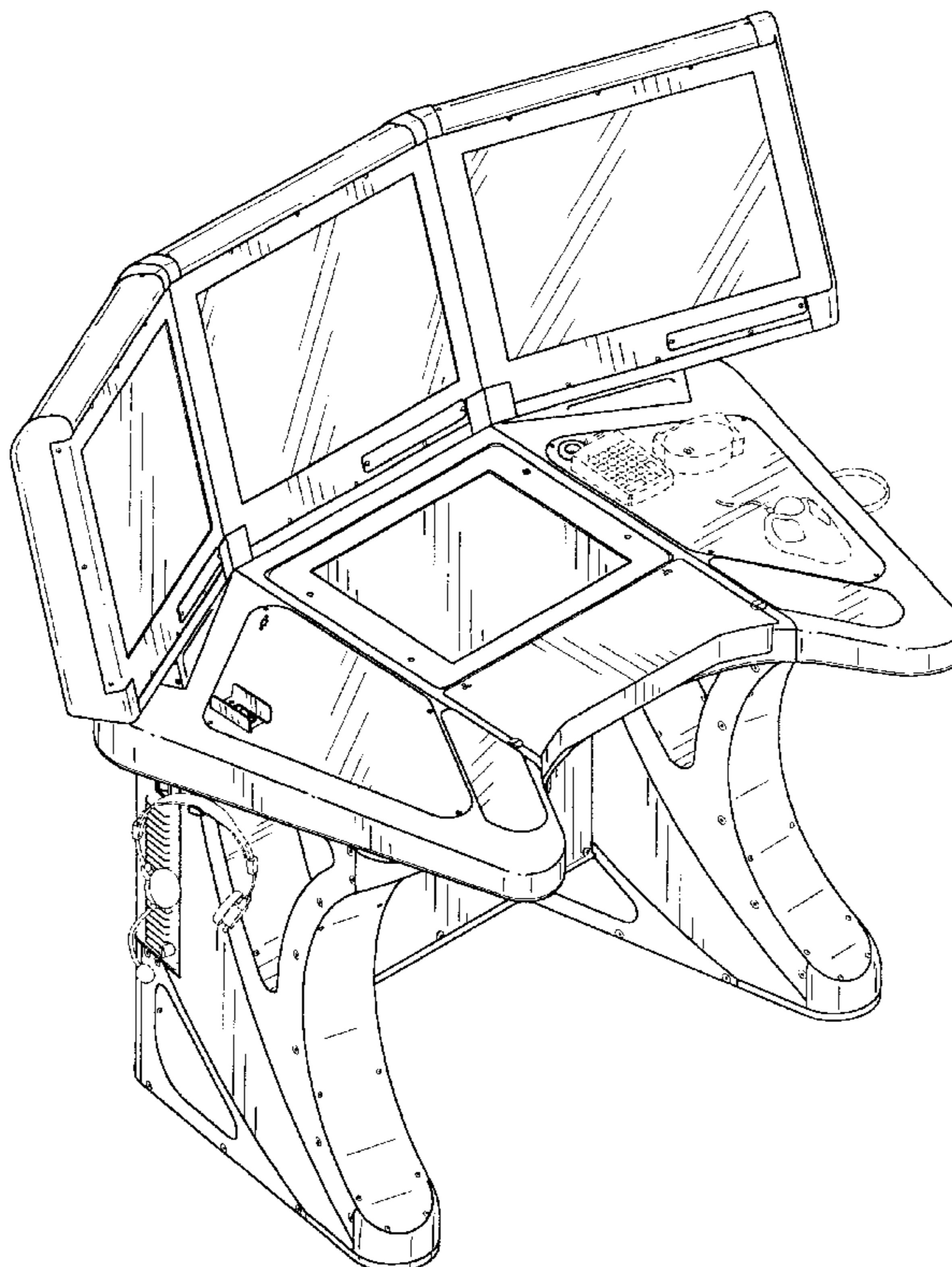


FIG. 1

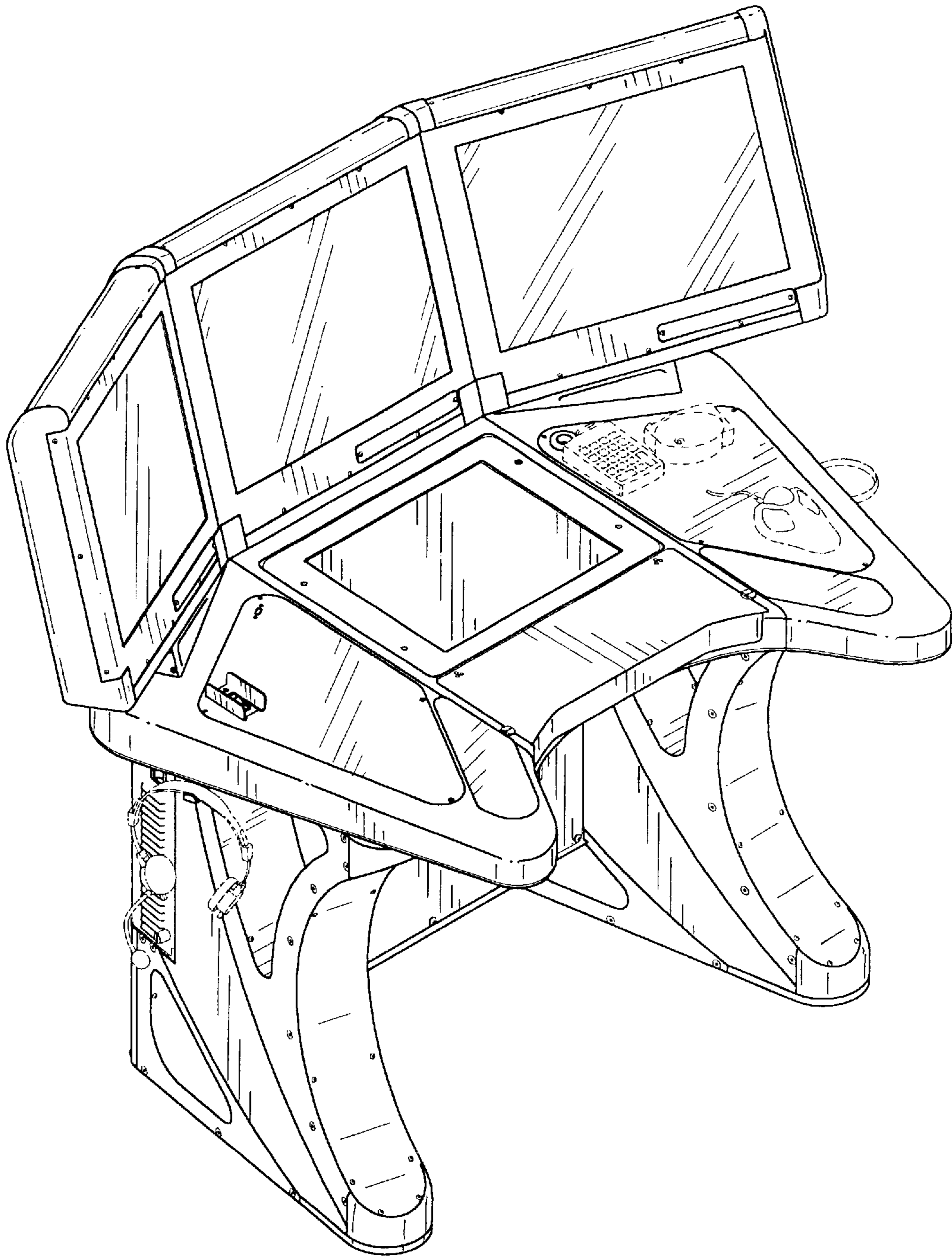
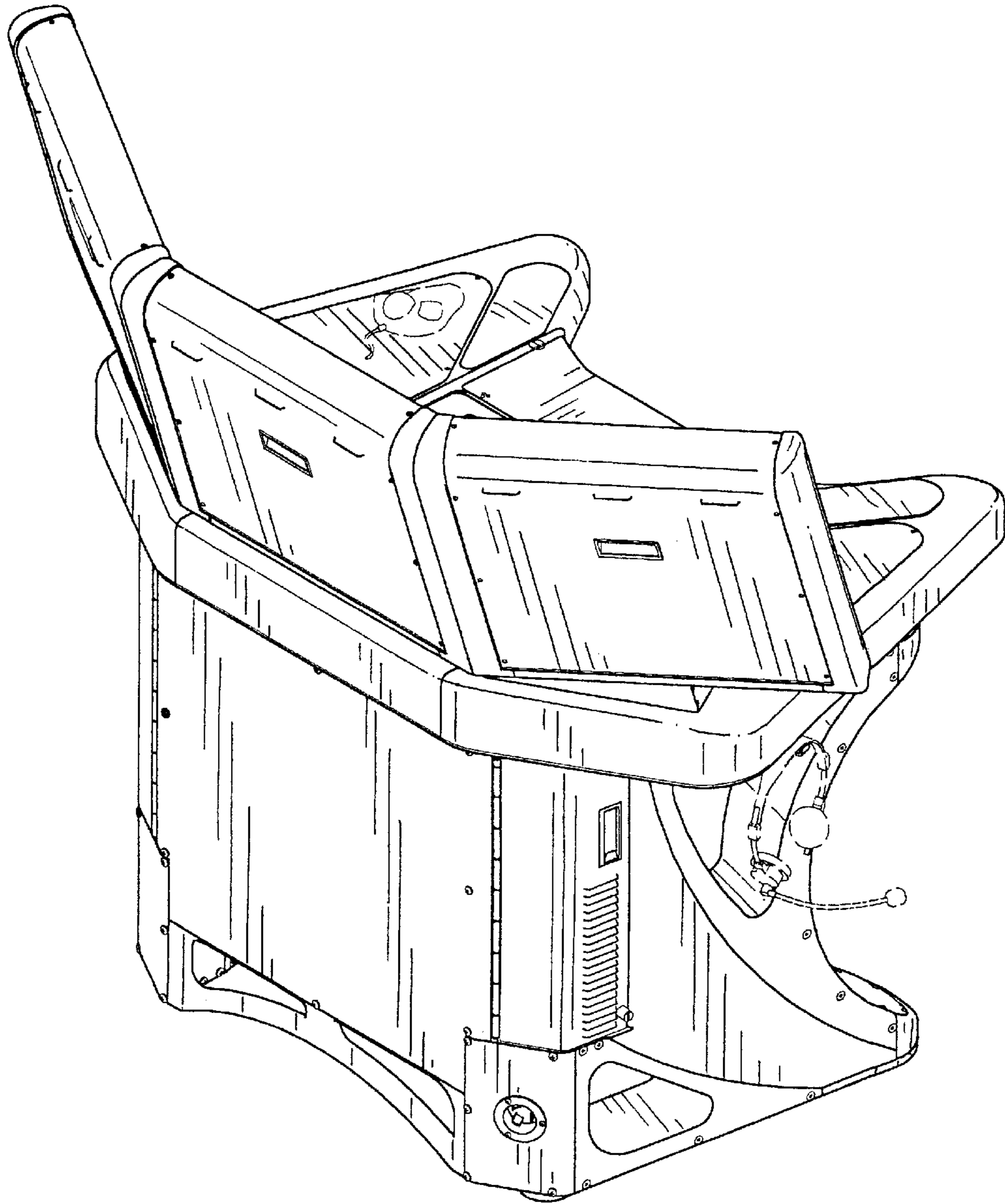


FIG. 2



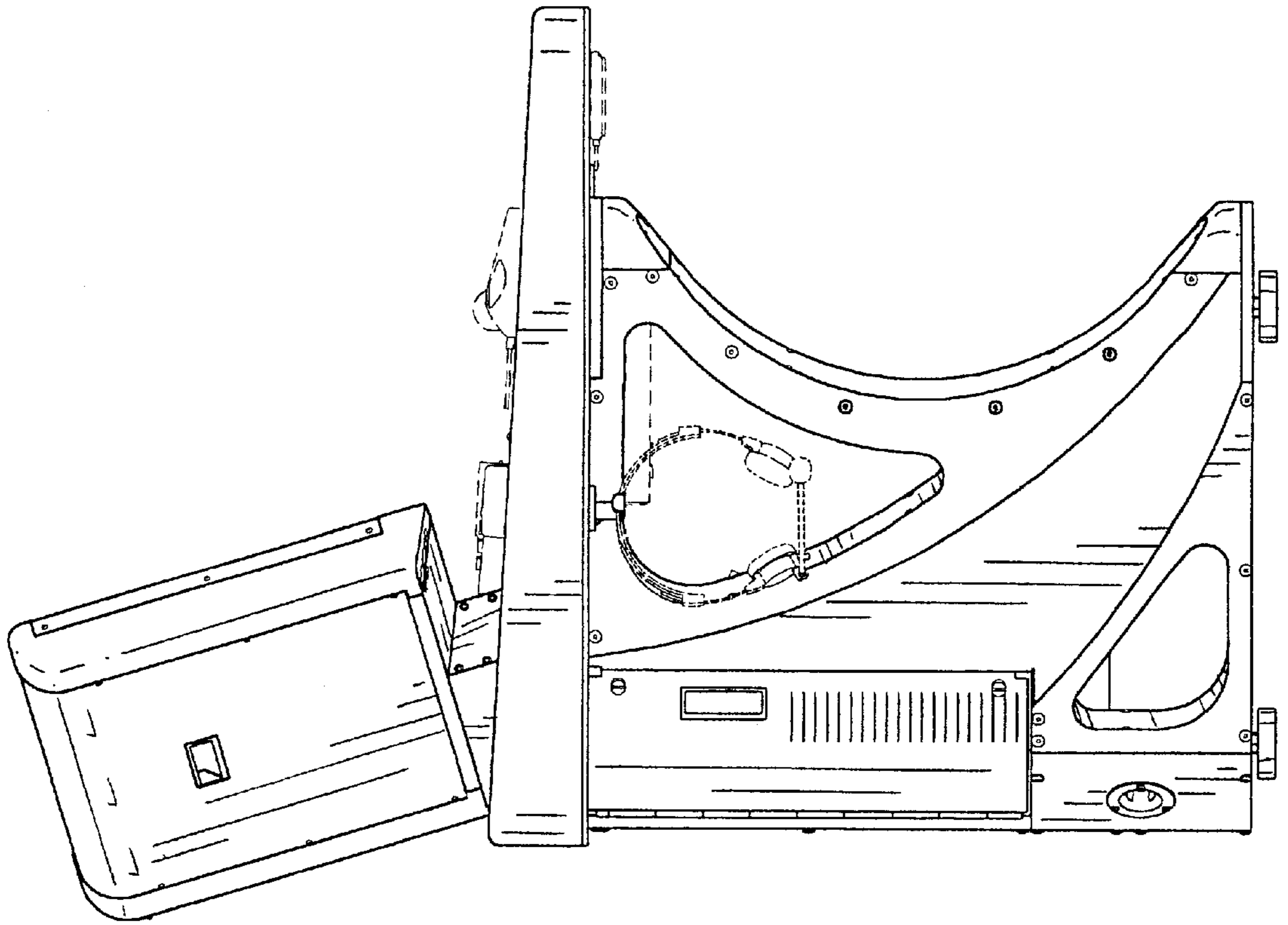


FIG. 3

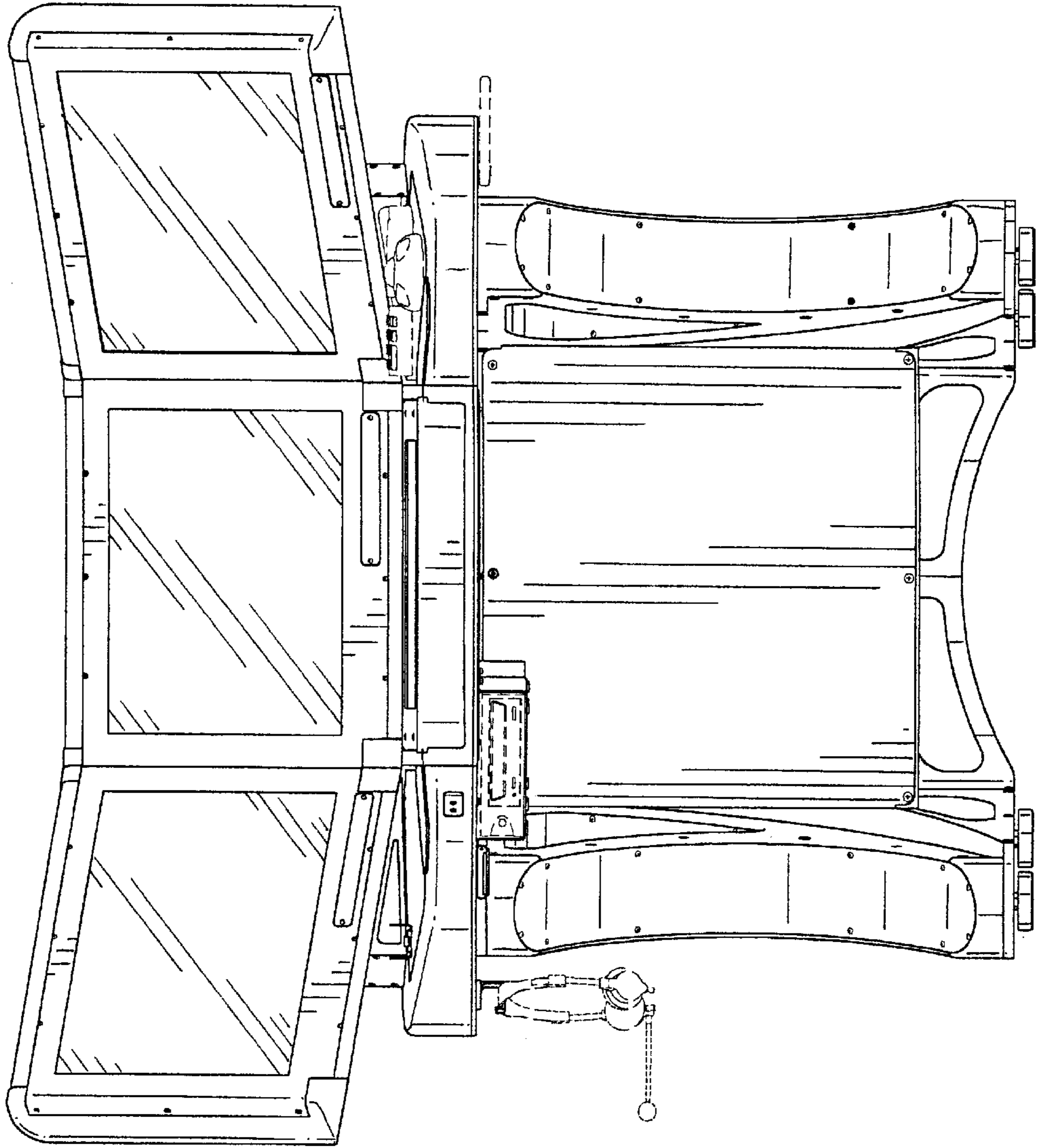


FIG.4

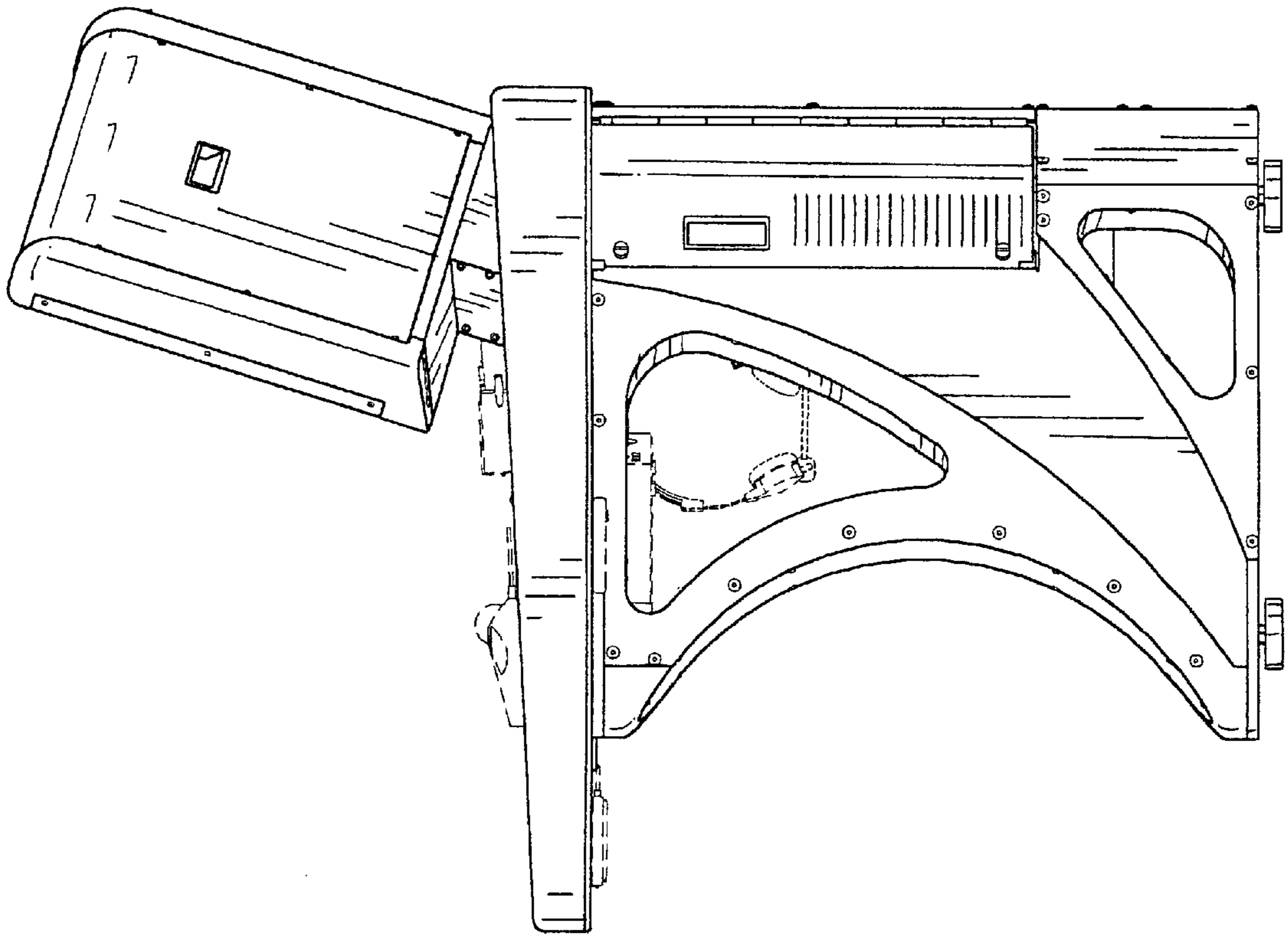


FIG. 5

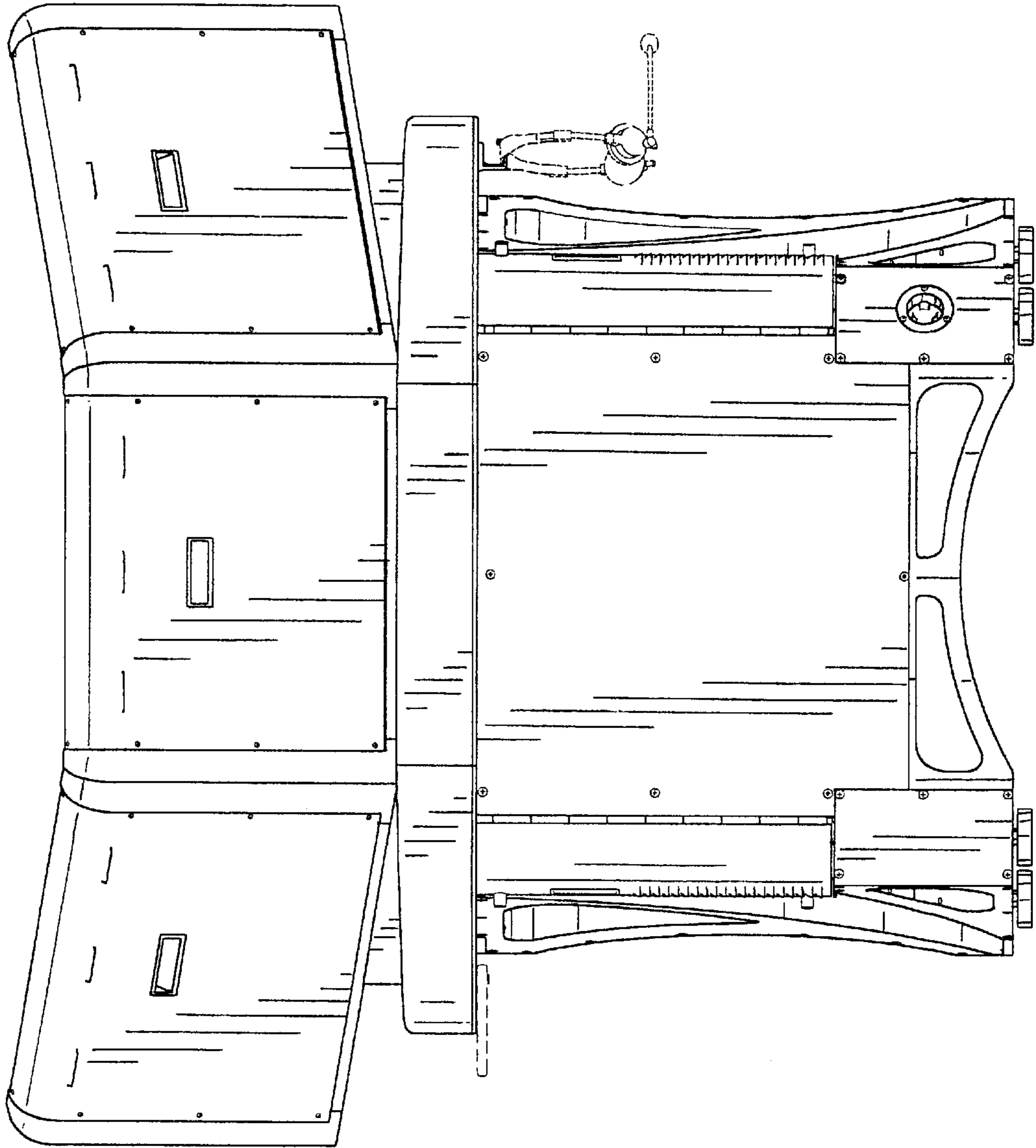


FIG.6

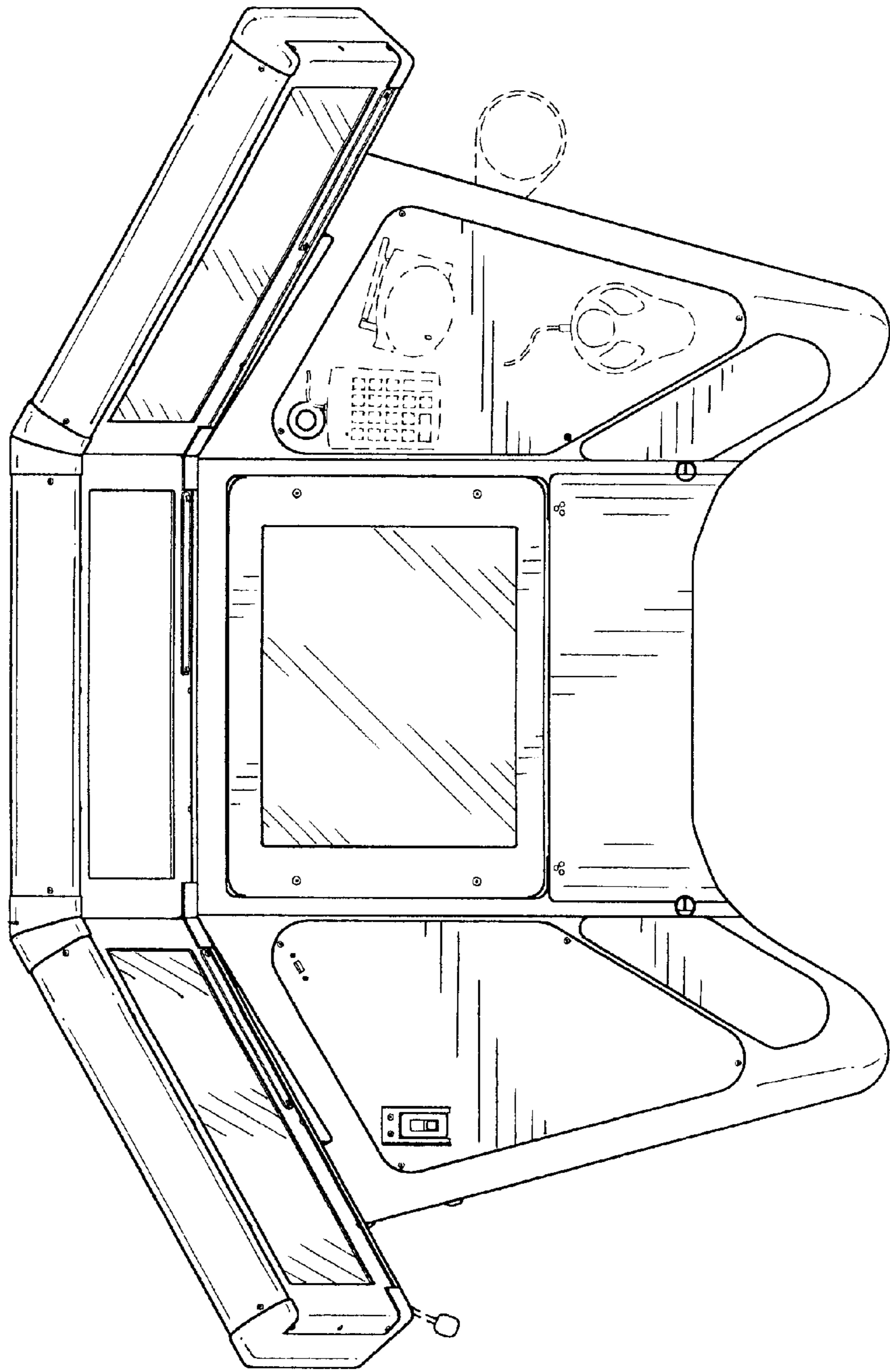


FIG. 7

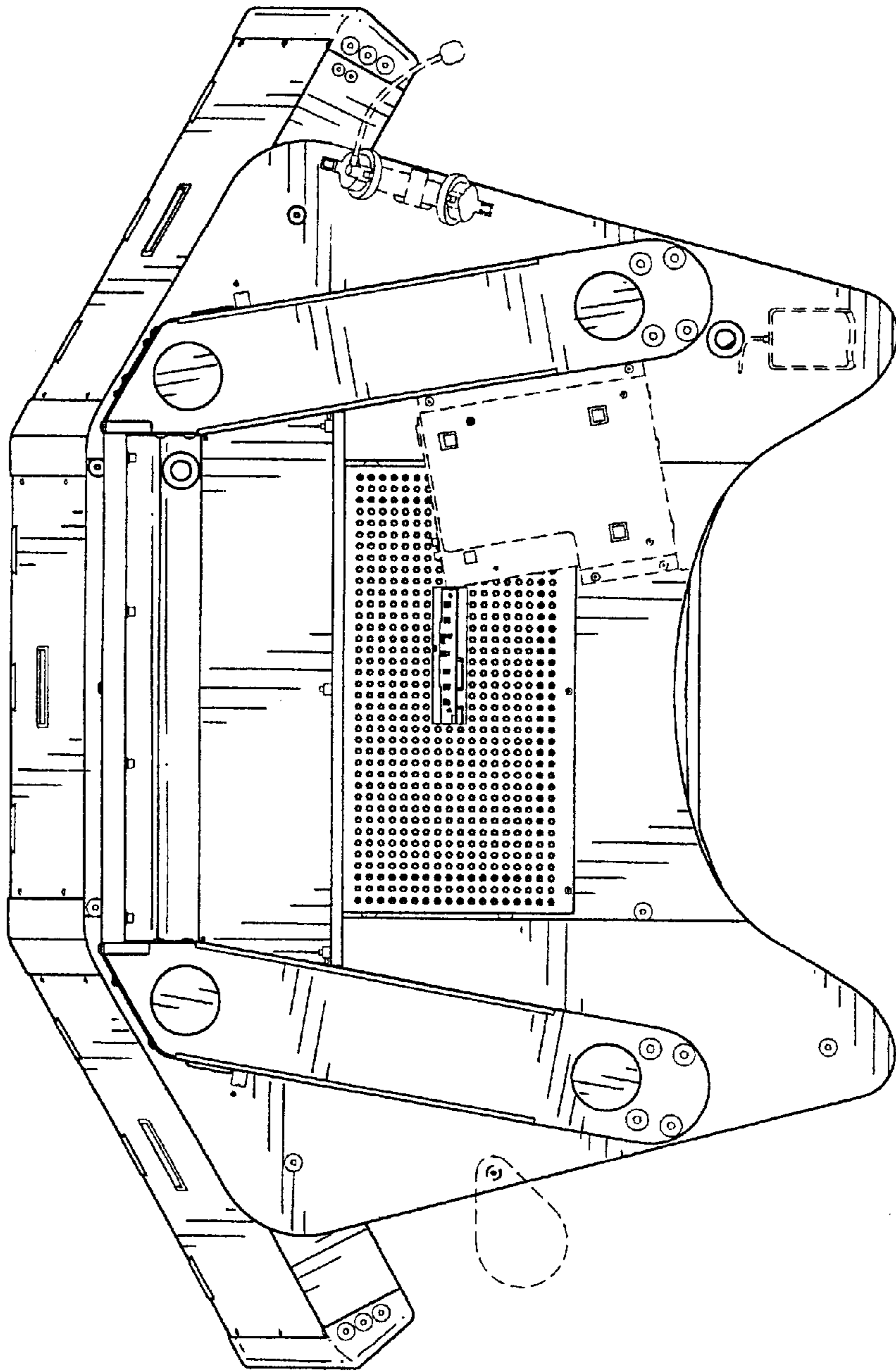


FIG. 8