



US00D476315S

(12) **United States Design Patent**
Honma et al.

(10) **Patent No.:** **US D476,315 S**

(45) **Date of Patent:** **** Jun. 24, 2003**

(54) **OPTICAL PICKUP**

6,097,690 A * 8/2000 Mochizuki et al. 369/112.24
D435,039 S * 12/2000 Miike D14/239
D444,458 S * 7/2001 Yamamoto D14/217

(75) Inventors: **Toshihiko Honma**, Yamagata (JP);
Susumu Ishida, Kanagawa (JP);
Osamu Masakado, Kanagawa (JP);
Kazutomo Imi, Kanagawa (JP)

* cited by examiner

(73) Assignee: **Mitsumi Electric Co., Ltd.**, Tokyo (JP)

Primary Examiner—Nanda Bondade
(74) *Attorney, Agent, or Firm*—Sughrue Mion, PLLC

(**) Term: **14 Years**

(57) **CLAIM**

(21) Appl. No.: **29/152,583**

The ornamental design for an optical pickup, as shown.

(22) Filed: **Dec. 27, 2001**

DESCRIPTION

(30) **Foreign Application Priority Data**

Jun. 28, 2001 (JP) 2001-018816

Fig. 1 is a perspective view of the top, front and right side of an optical pickup showing our new design;

(51) **LOC (7) Cl.** **14-99**

FIG. 2 is a perspective view of the bottom, rear and left side thereof;

(52) **U.S. Cl.** **D14/217; D14/260.1**

FIG. 3 is a front elevational view thereof;

(58) **Field of Search** D14/156, 217,
D14/239, 260, 260.1, 262, 299; 360/104–105,
114; 369/244–247, 263–264, 266

FIG. 4 is a rear elevational view thereof;

FIG. 5 is a right side elevational view thereof;

FIG. 6 is a left side elevational view thereof;

FIG. 7 is a top plan view thereof; and,

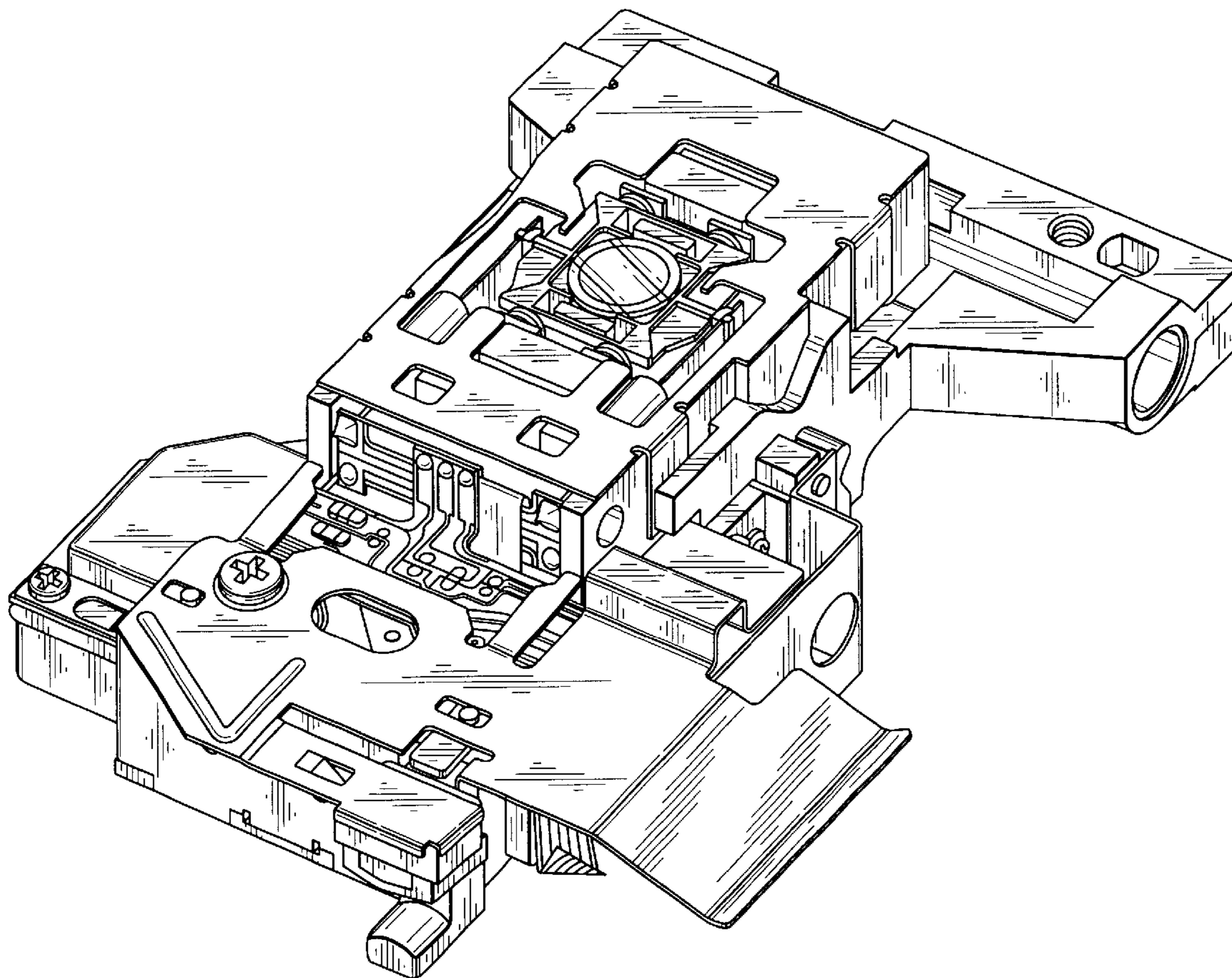
FIG. 8 is a bottom plan view thereof.

(56) **References Cited**

U.S. PATENT DOCUMENTS

D425,898 S * 5/2000 Iwaasa et al. D14/217

1 Claim, 6 Drawing Sheets



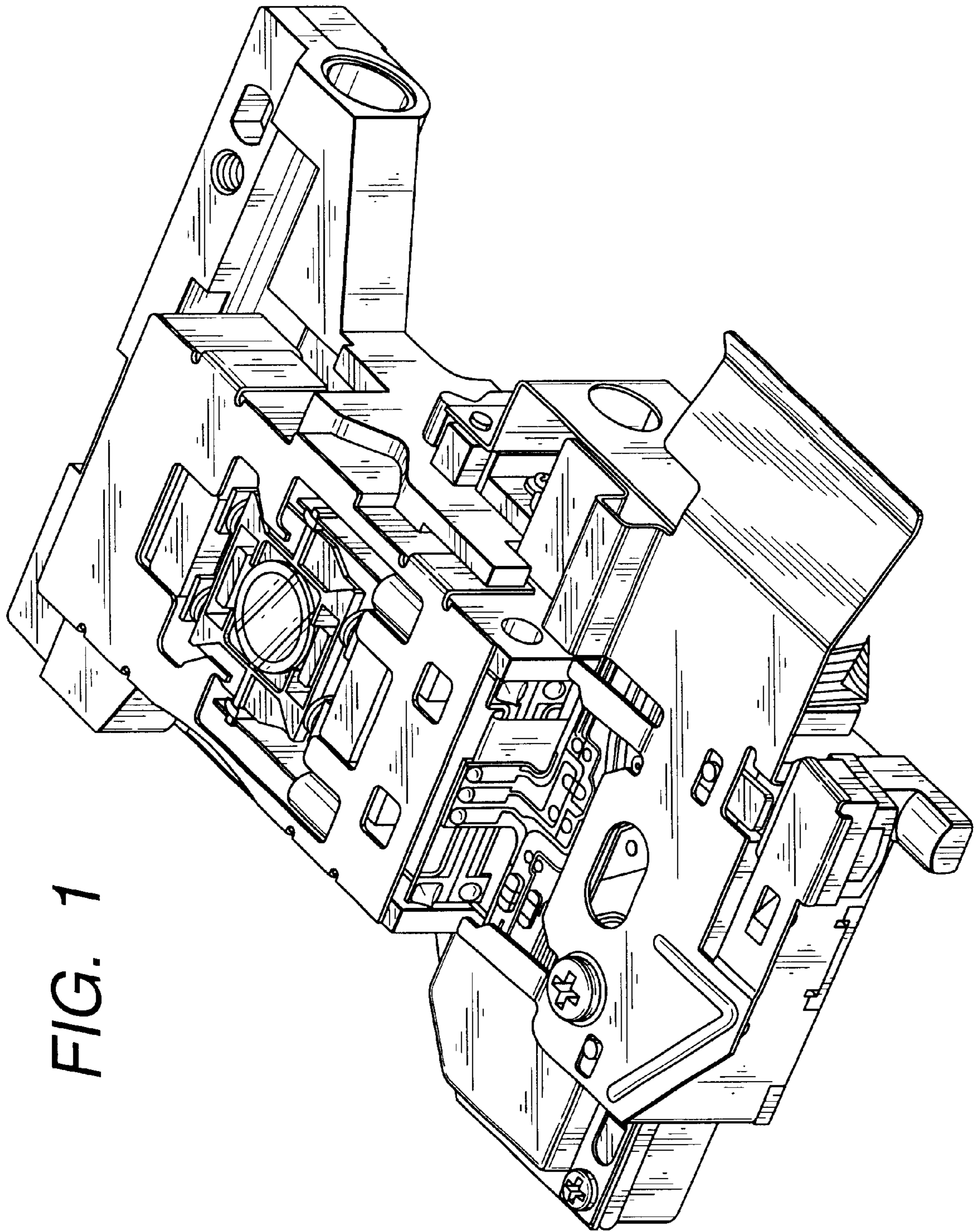


FIG. 1

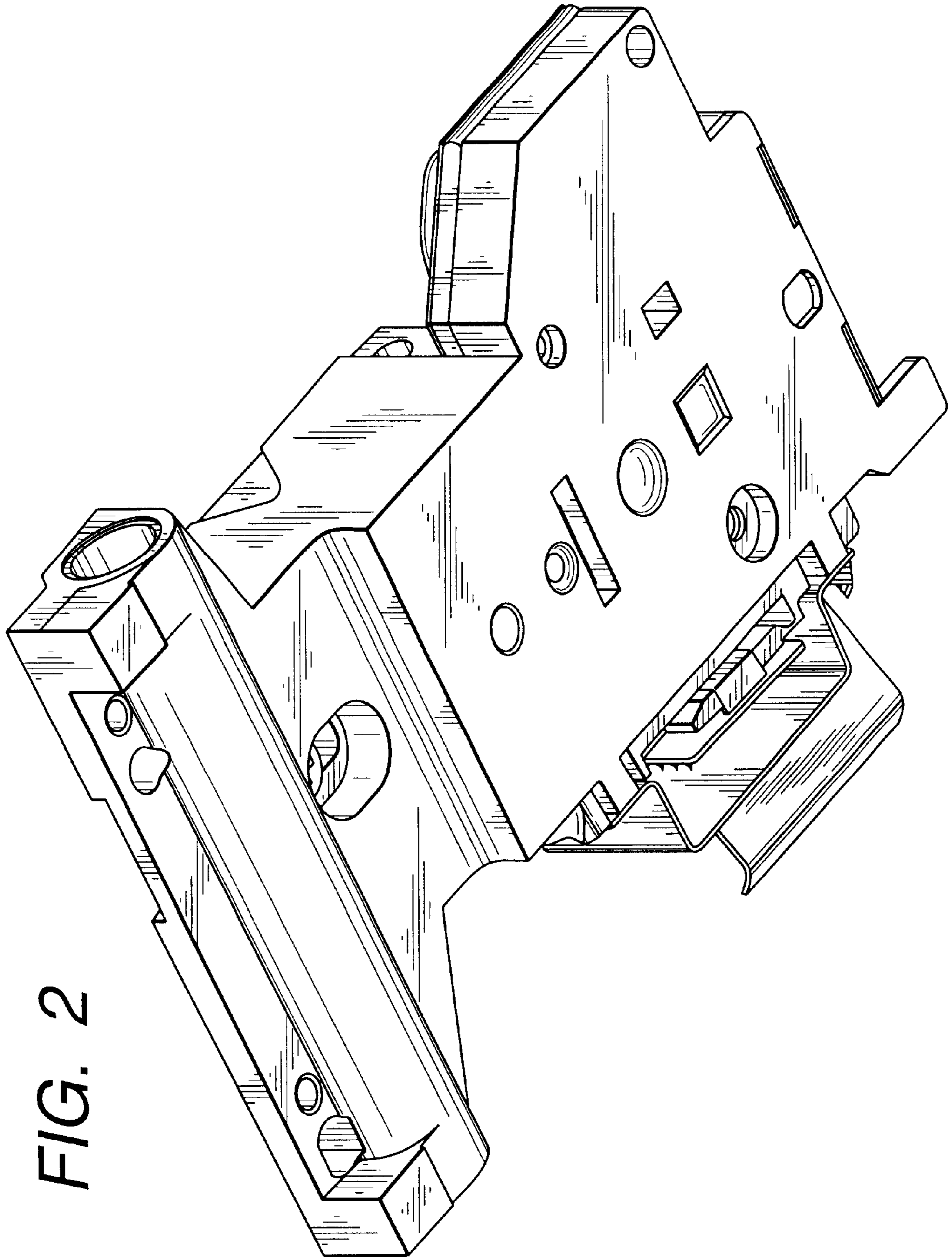


FIG. 2

FIG. 3

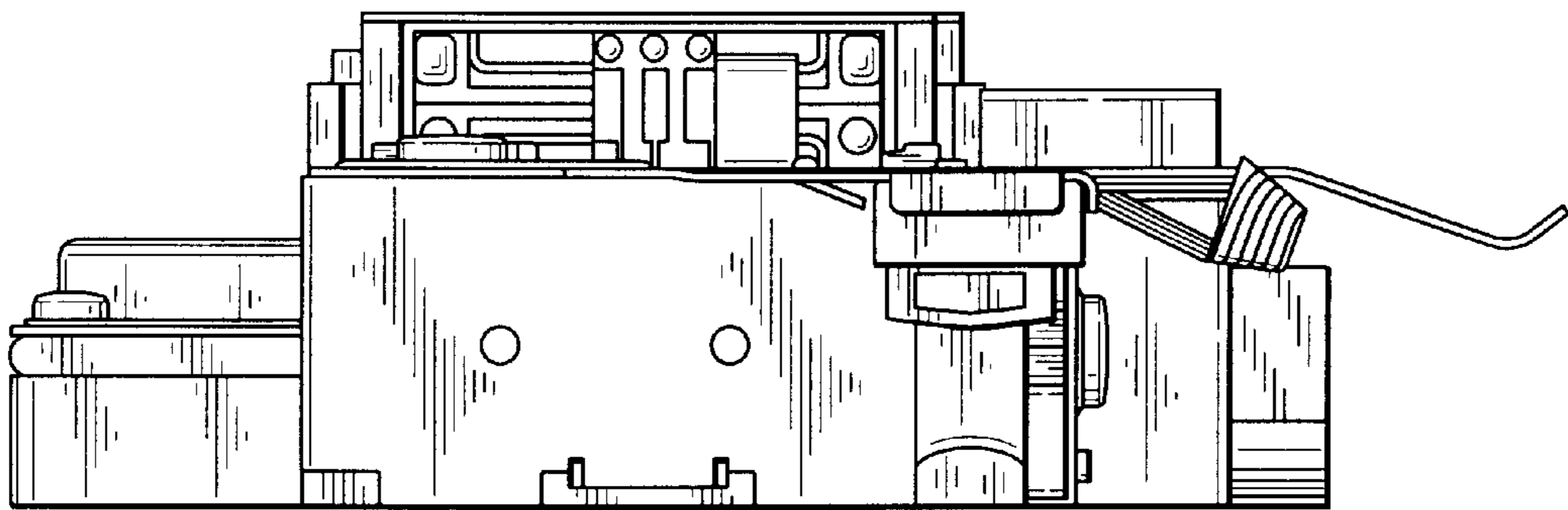


FIG. 4

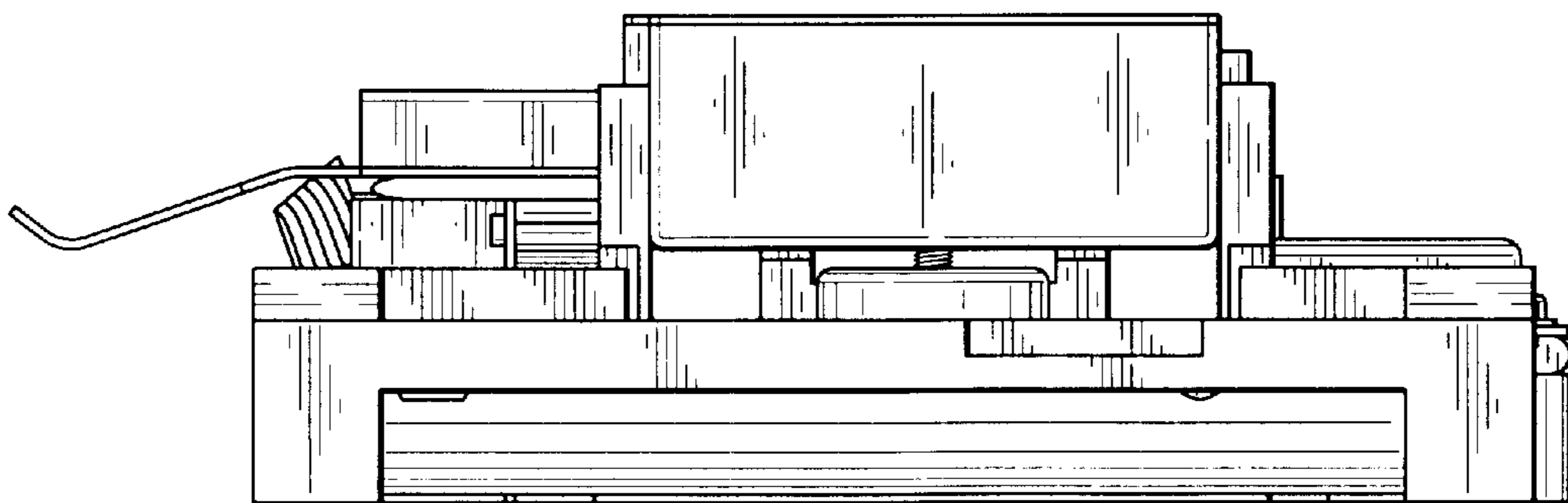


FIG. 5

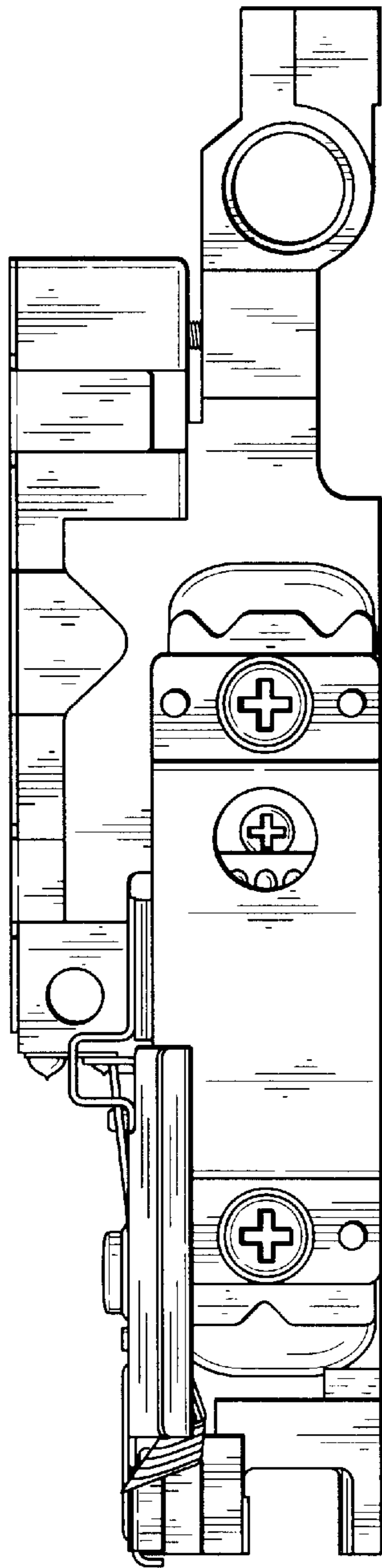


FIG. 6

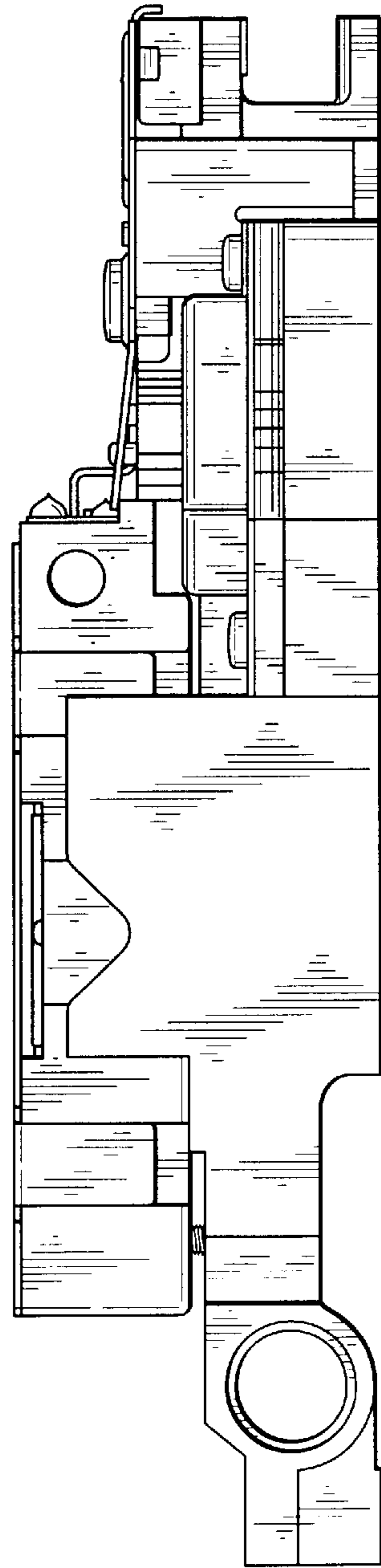


FIG. 7

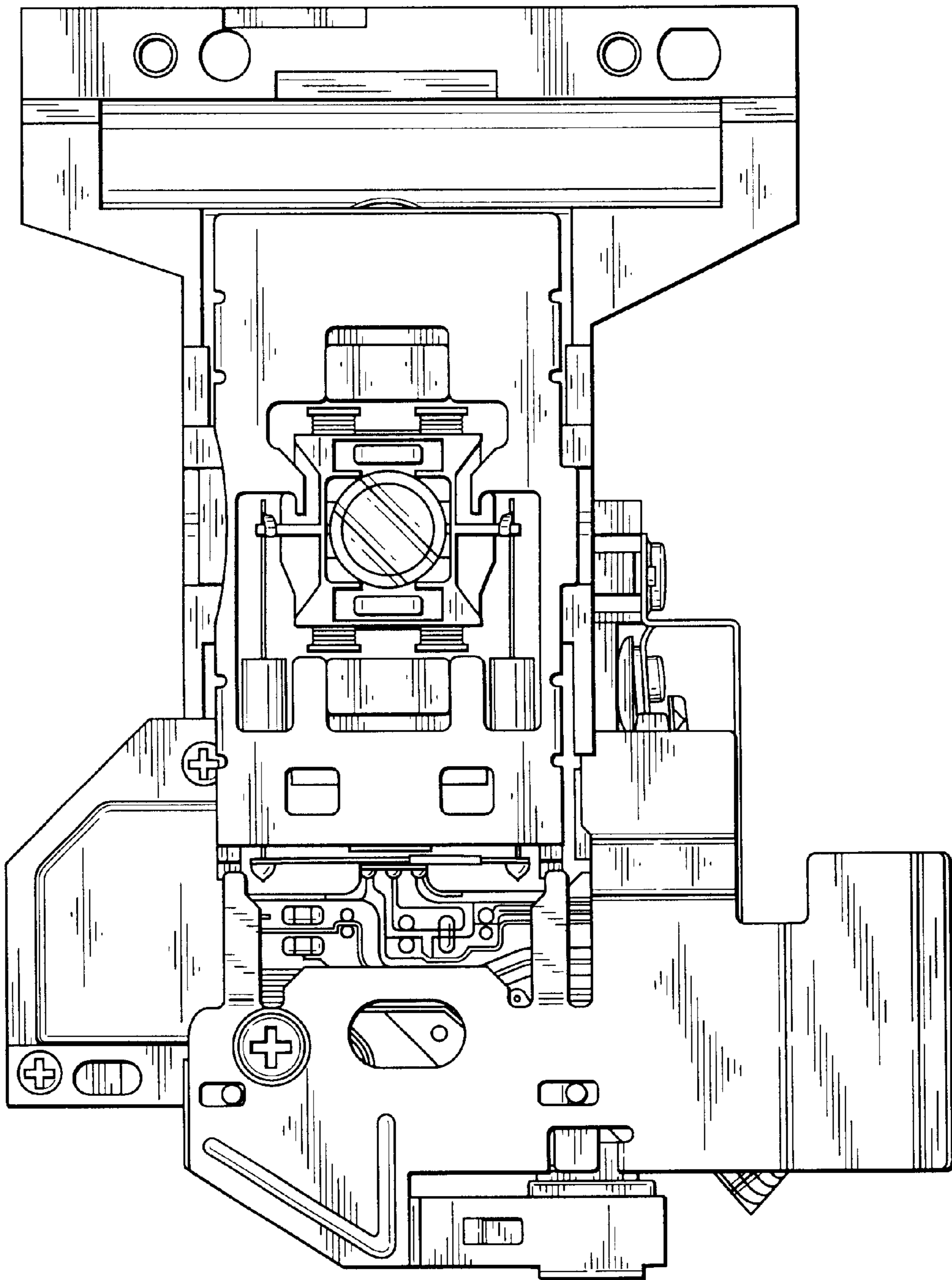


FIG. 8

