



US00D476313S

(12) **United States Design Patent**
Rivera

(10) **Patent No.:** **US D476,313 S**

(45) **Date of Patent:** **** Jun. 24, 2003**

(54) **TWO-CHANNEL STEREO SPEAKER**
(75) Inventor: **Dean M. Rivera**, Chula Vista, CA (US)
(73) Assignee: **KSC Industries, Inc.**, San Diego, CA (US)
(**) Term: **14 Years**

5,657,392 A 8/1997 Bouchard
D419,561 S * 1/2000 Haase et al. D14/216
6,031,920 A 2/2000 Wiener
6,118,883 A * 9/2000 Rocha 381/381
6,282,297 B1 * 8/2001 Lin 381/386
6,356,640 B1 * 3/2002 Lin 381/182
6,393,132 B1 * 5/2002 Lin 381/386
6,411,718 B1 * 6/2002 Danley et al. 381/342
6,493,452 B1 * 12/2002 Koizumi et al. 381/182

(21) Appl. No.: **29/150,355**
(22) Filed: **Nov. 21, 2001**
(51) **LOC (7) Cl.** **14-01**
(52) **U.S. Cl.** **D14/216; D14/224**
(58) **Field of Search** D14/125, 216,
D14/221, 222, 224; 381/306, 307, 308,
332, 335, 186, 182, 160; 181/144, 147,
152, 163, 174

* cited by examiner

Primary Examiner—Paula A. Mortimer
(74) *Attorney, Agent, or Firm*—Knobbe, Martens, Olson & Bear, LLP

(57) **CLAIM**

The ornamental design for a two-channel stereo speaker, as shown and described.

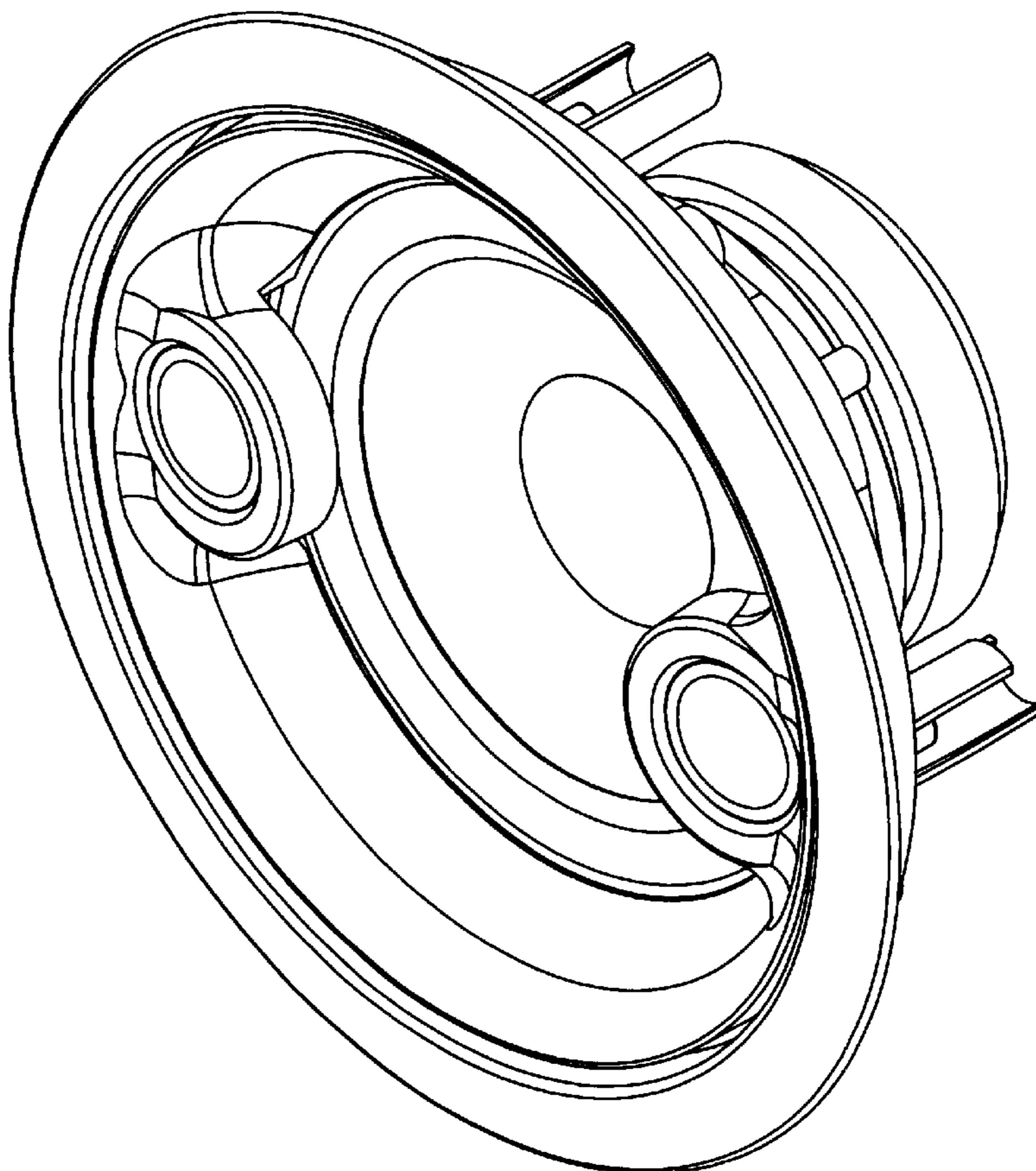
(56) **References Cited**
U.S. PATENT DOCUMENTS

4,249,037 A 2/1981 Dexter
5,119,429 A 6/1992 Chatelain
5,123,500 A 6/1992 Malhoit et al.
5,307,418 A 4/1994 Sumitani
5,398,288 A * 3/1995 Kizak 381/186
5,635,686 A * 6/1997 Fenton 181/144

DESCRIPTION

FIG. 1 is a perspective view of the stereo speaker design; FIG. 2A is a front view of the stereo speaker design; FIG. 2B is a partially cut away top view of the stereo speaker design; and, FIG. 3 is a side view of the stereo speaker design.

1 Claim, 3 Drawing Sheets



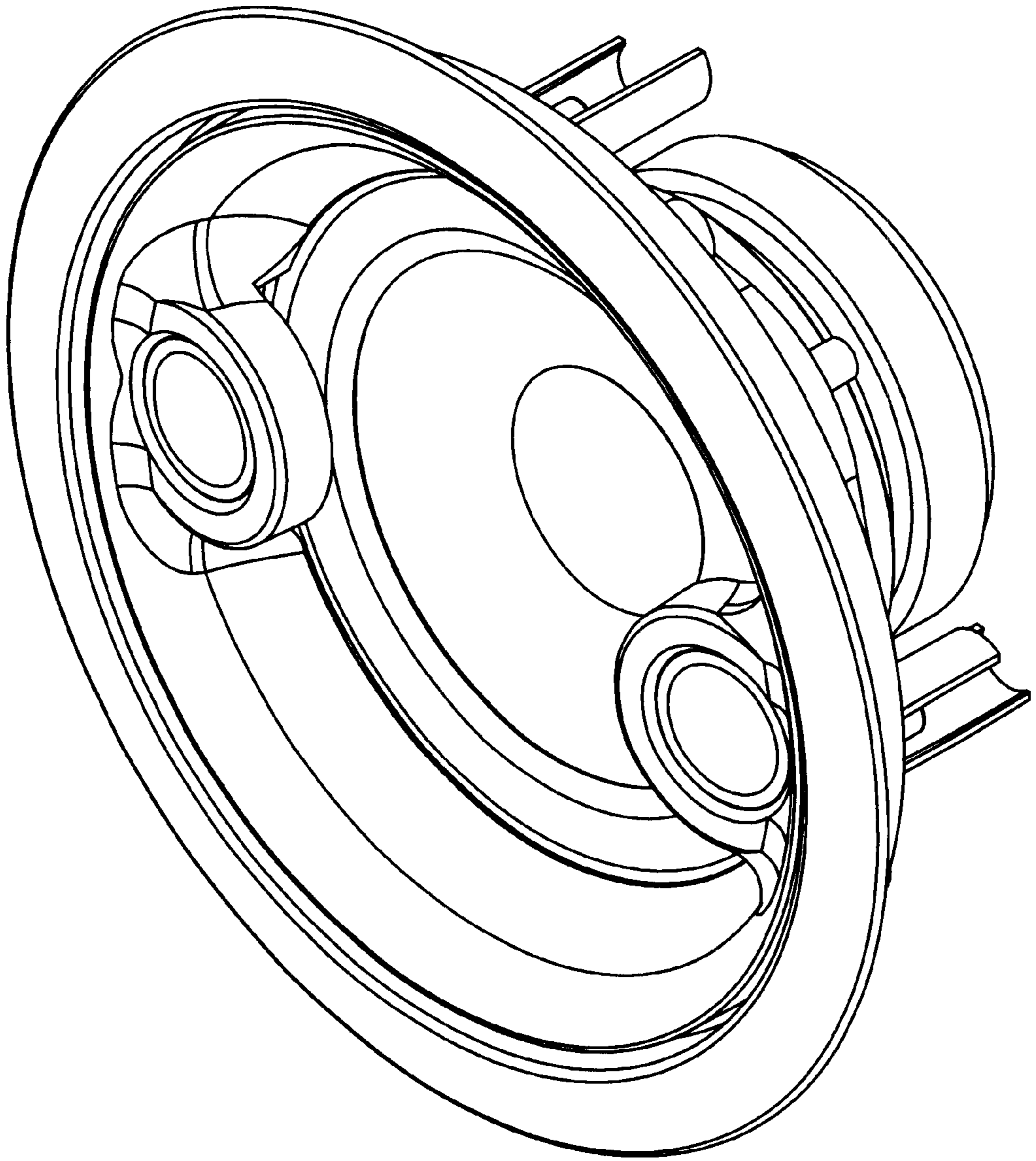


FIG. 1

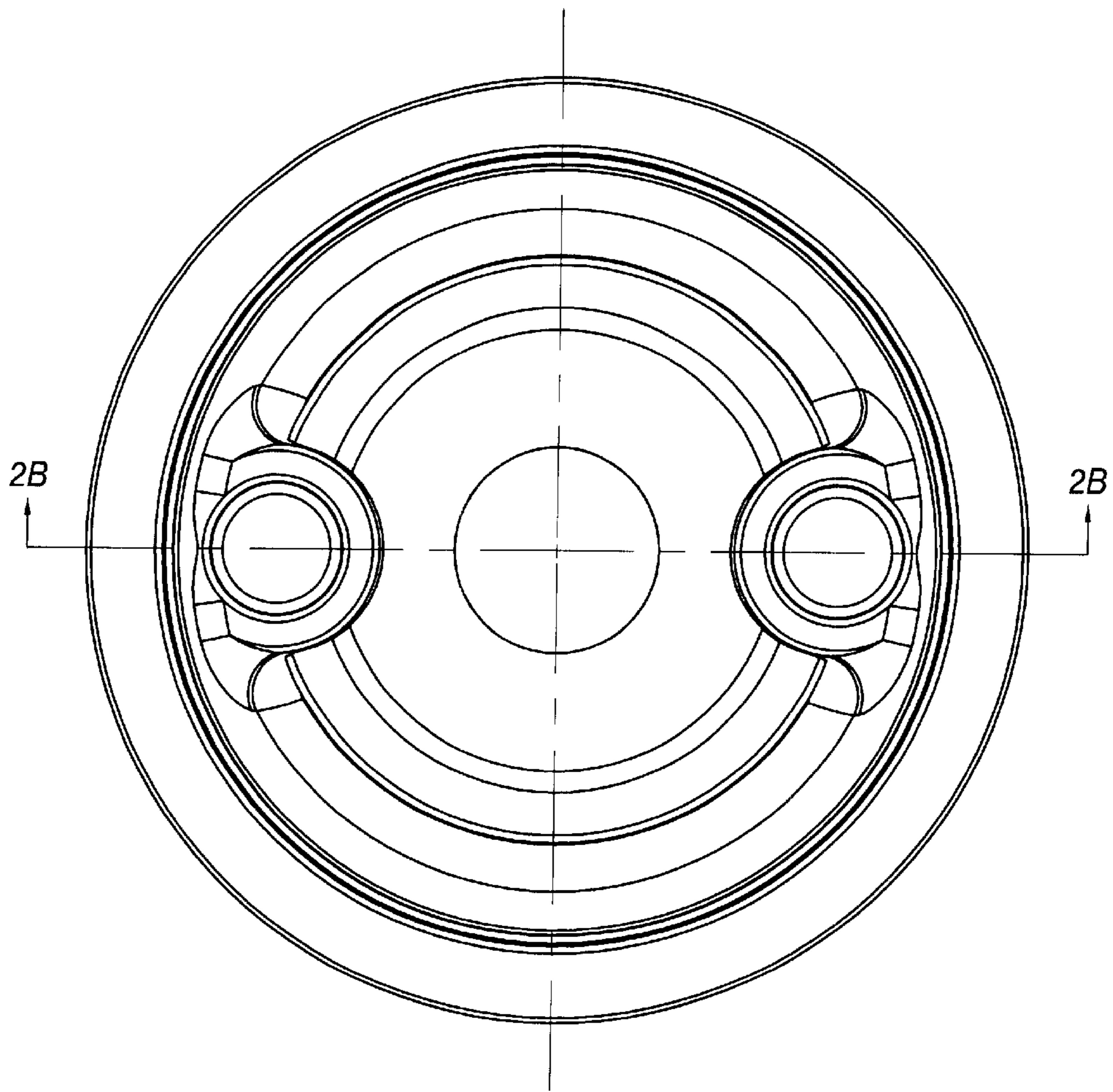


FIG. 2A

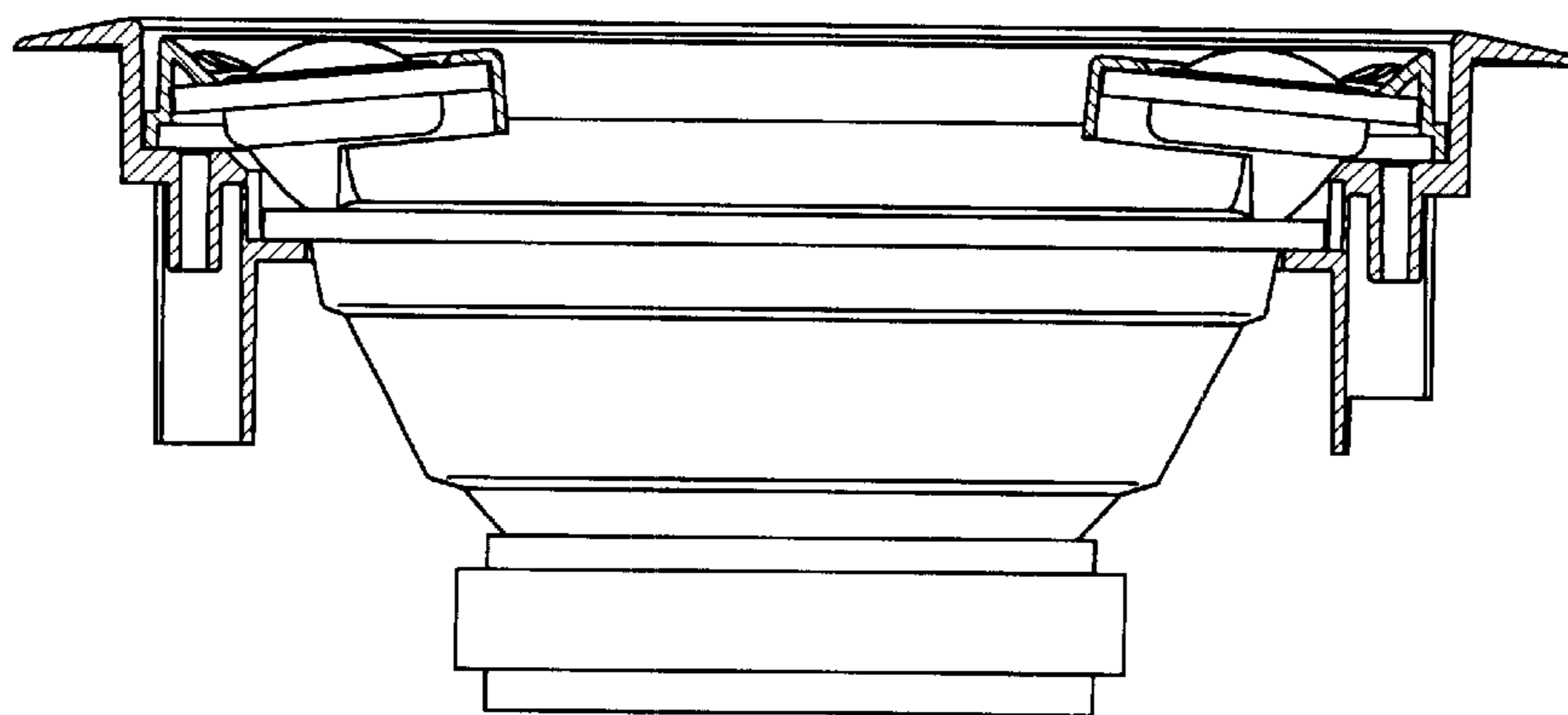


FIG. 2B

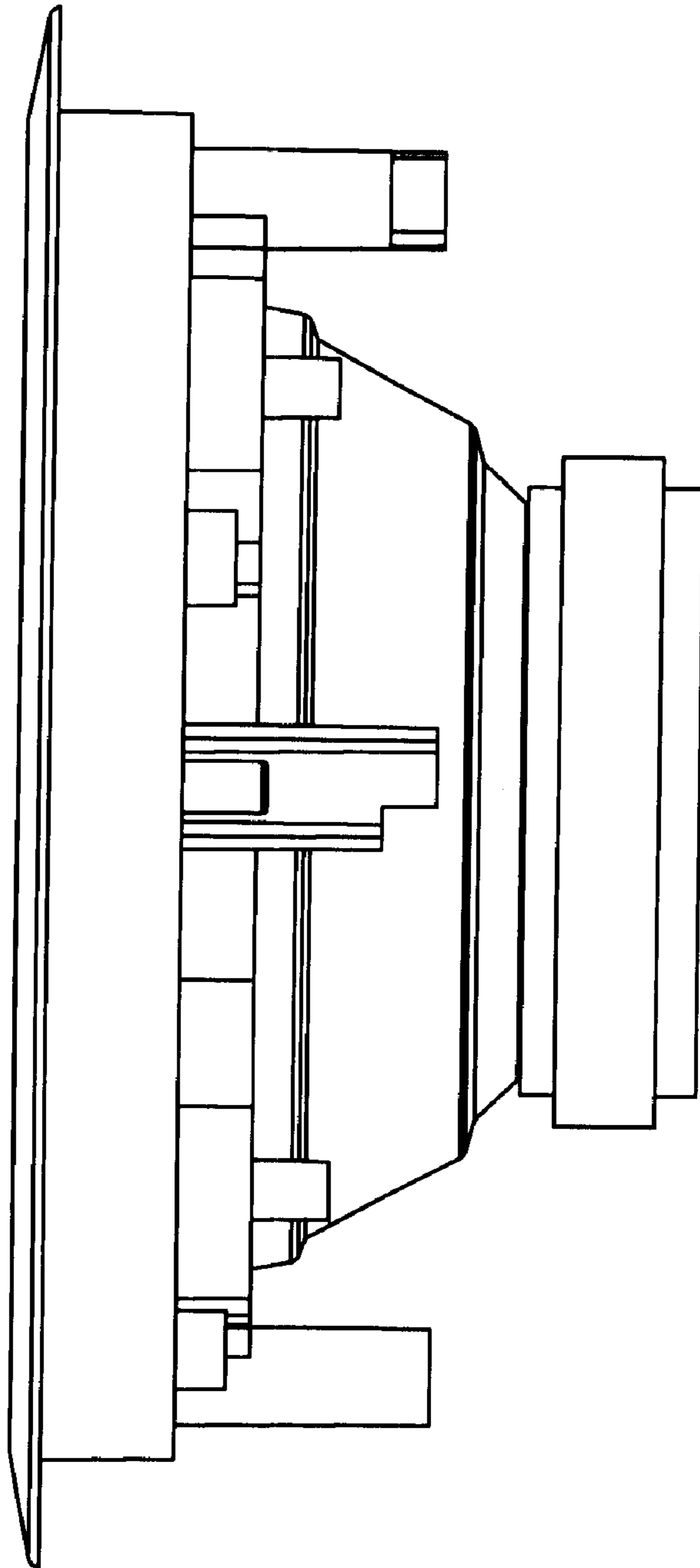


FIG. 3