



US00D476312S

(12) **United States Design Patent**  
**Harris et al.**

(10) **Patent No.:** **US D476,312 S**

(45) **Date of Patent:** **\*\* Jun. 24, 2003**

(54) **SUBWOOFER SPEAKER**

D444,457 S \* 7/2001 Kuo ..... D14/214  
D460,437 S \* 7/2002 Lancaster et al. .... D14/214

(75) Inventors: **David Harris**, Nashua, NH (US); **Rudy Woodard**, Nashua, NH (US); **Tim Trzepacz**, Nashua, NH (US)

\* cited by examiner

(73) Assignee: **Brookstone Company, Inc.**, Nashua, NH (US)

*Primary Examiner*—Nanda Bondade  
(74) *Attorney, Agent, or Firm*—Hayes Soloway P.C.

(\*\*) Term: **14 Years**

(57) **CLAIM**

The ornamental design for a subwoofer speaker, as shown and described.

(21) Appl. No.: **29/162,759**

**DESCRIPTION**

(22) Filed: **Jun. 20, 2002**

(51) **LOC (7) Cl.** ..... **14-01**

FIG. 1 is a front elevational view of a subwoofer speaker showing our new design;

(52) **U.S. Cl.** ..... **D14/214**

FIG. 2 is a back elevational view thereof;

(58) **Field of Search** ..... D14/204, 207–216,  
D14/221–222, 224; 181/144–145, 147–148,  
150, 157, 168, 171–174; 381/300–302,  
386, 396, 398, 423, 426

FIG. 3 is a left-side elevational view thereof; the right side being a mirror image thereof;

FIG. 4 is a top plan view thereof;

FIG. 5 is a bottom plan view thereof; and,

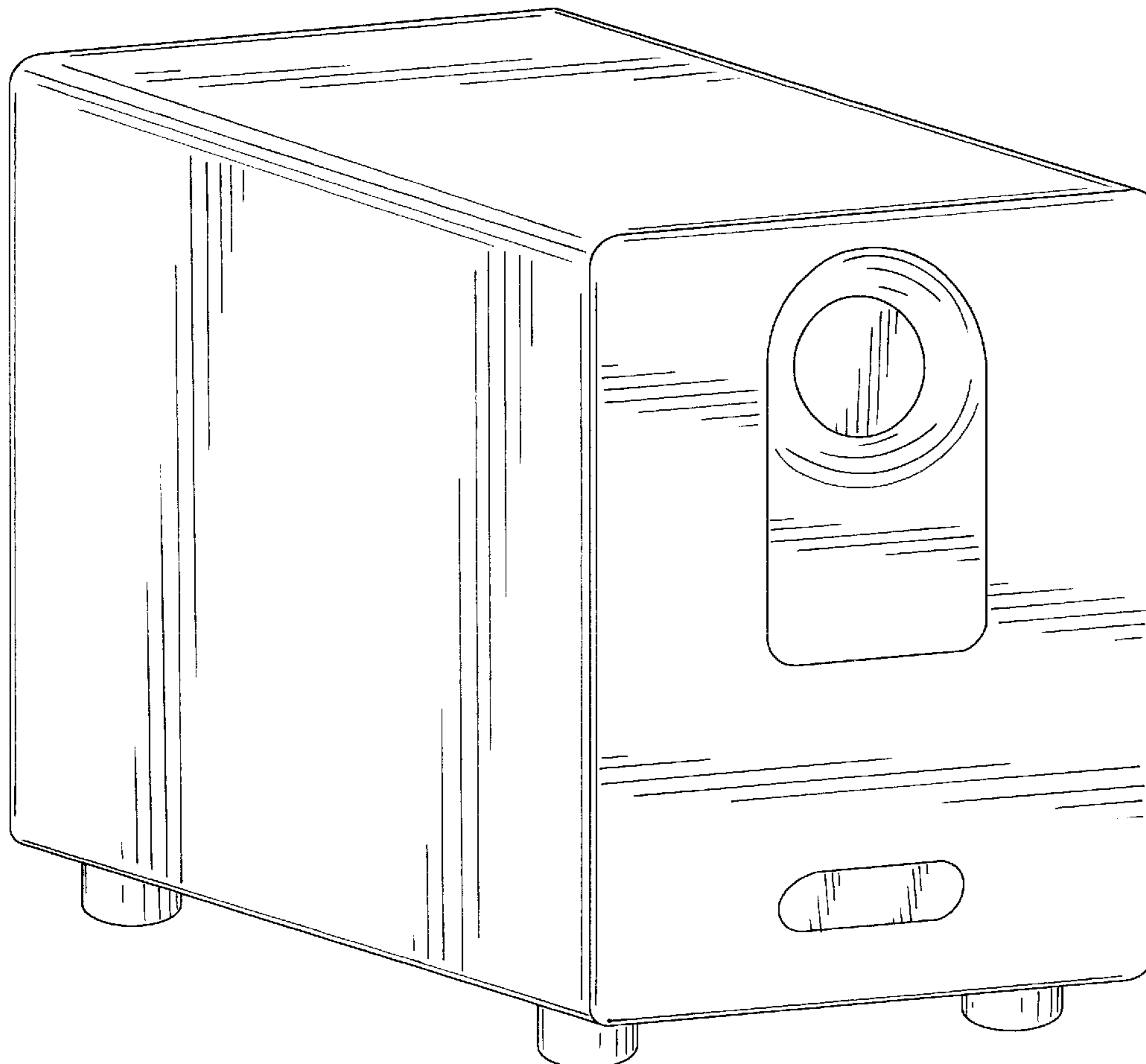
FIG. 6 is a front perspective view thereof.

(56) **References Cited**

**U.S. PATENT DOCUMENTS**

D340,056 S \* 10/1993 Caron et al. .... D14/204

**1 Claim, 6 Drawing Sheets**



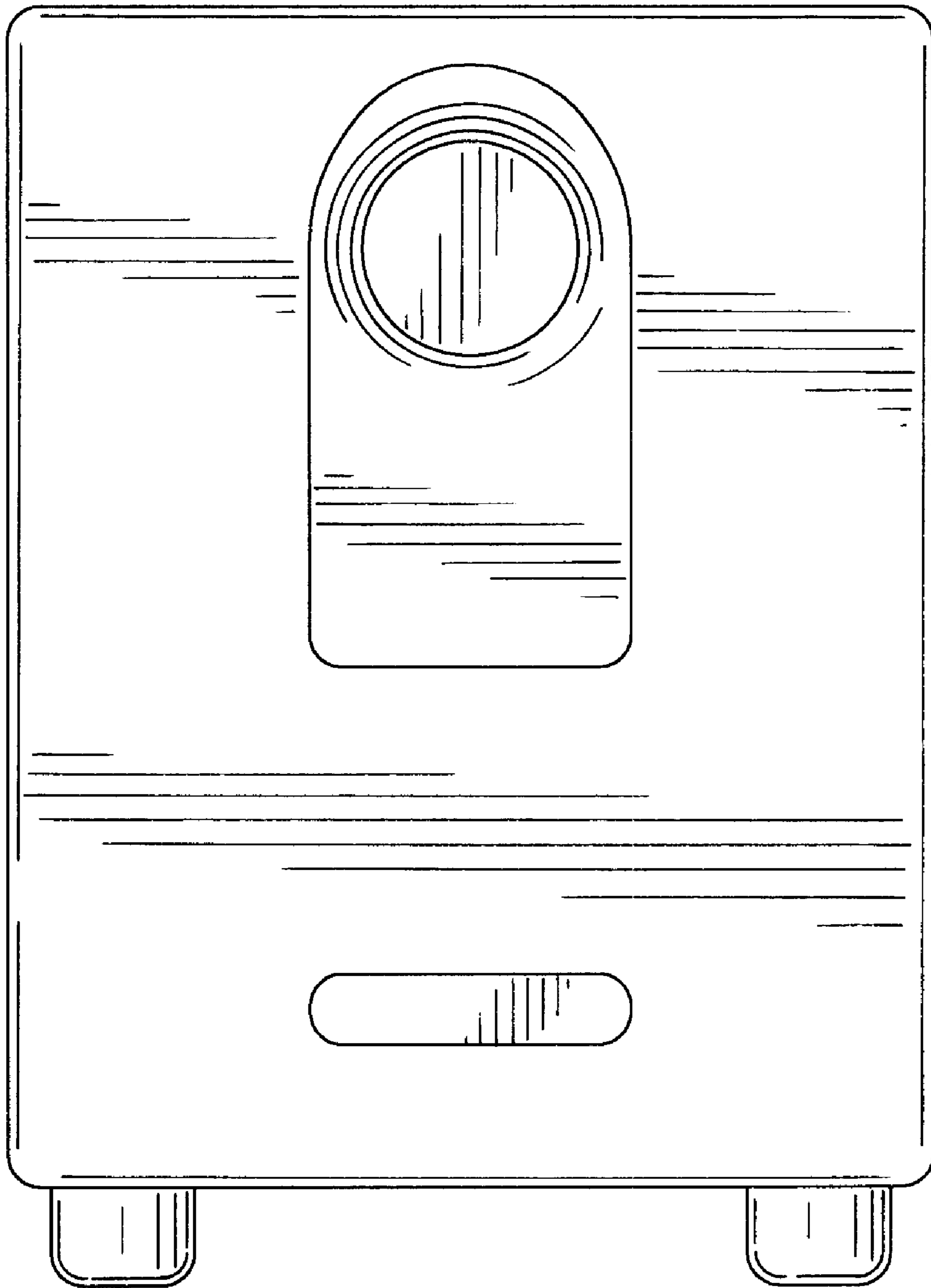


FIG. 1

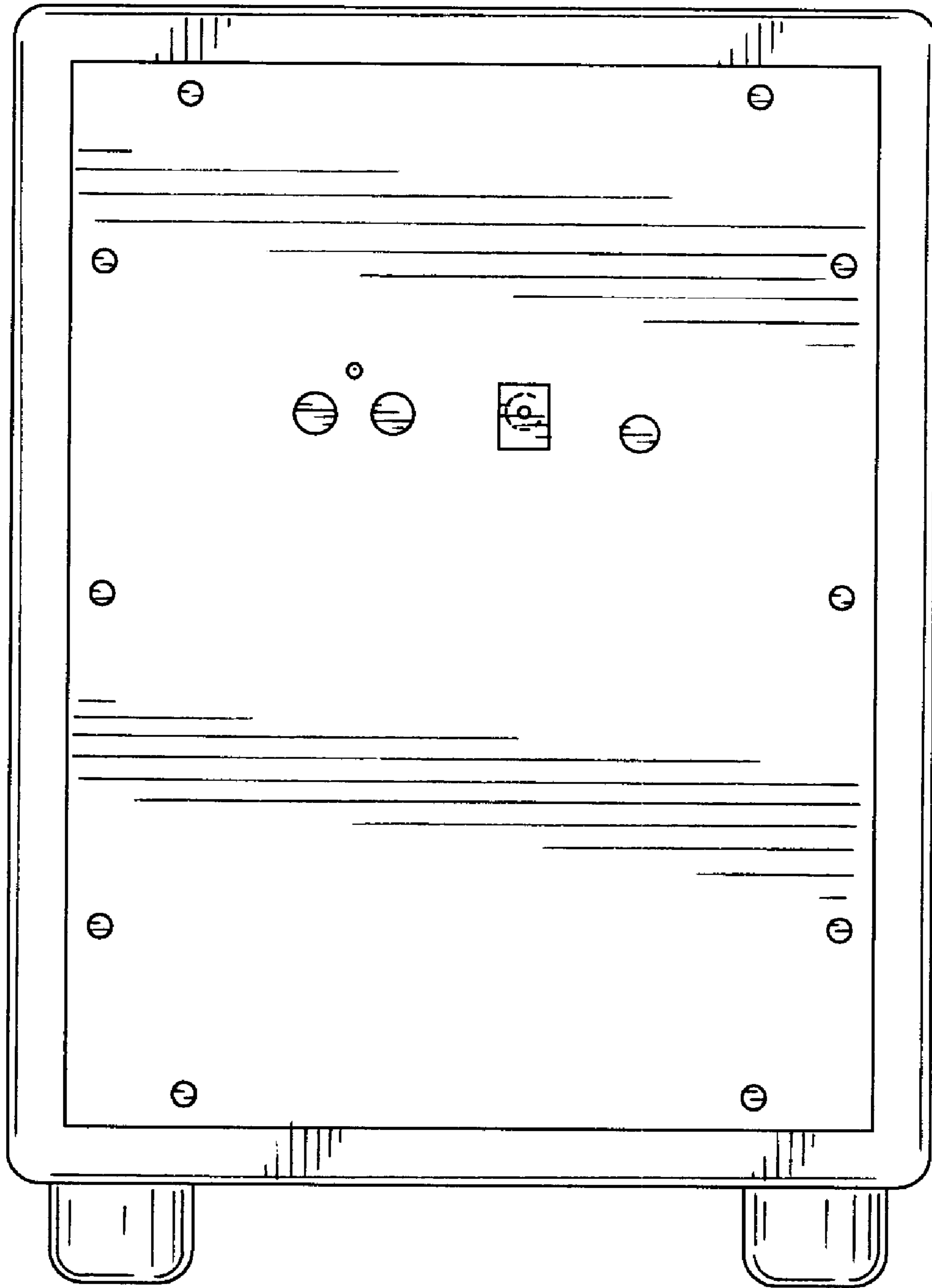


FIG. 2

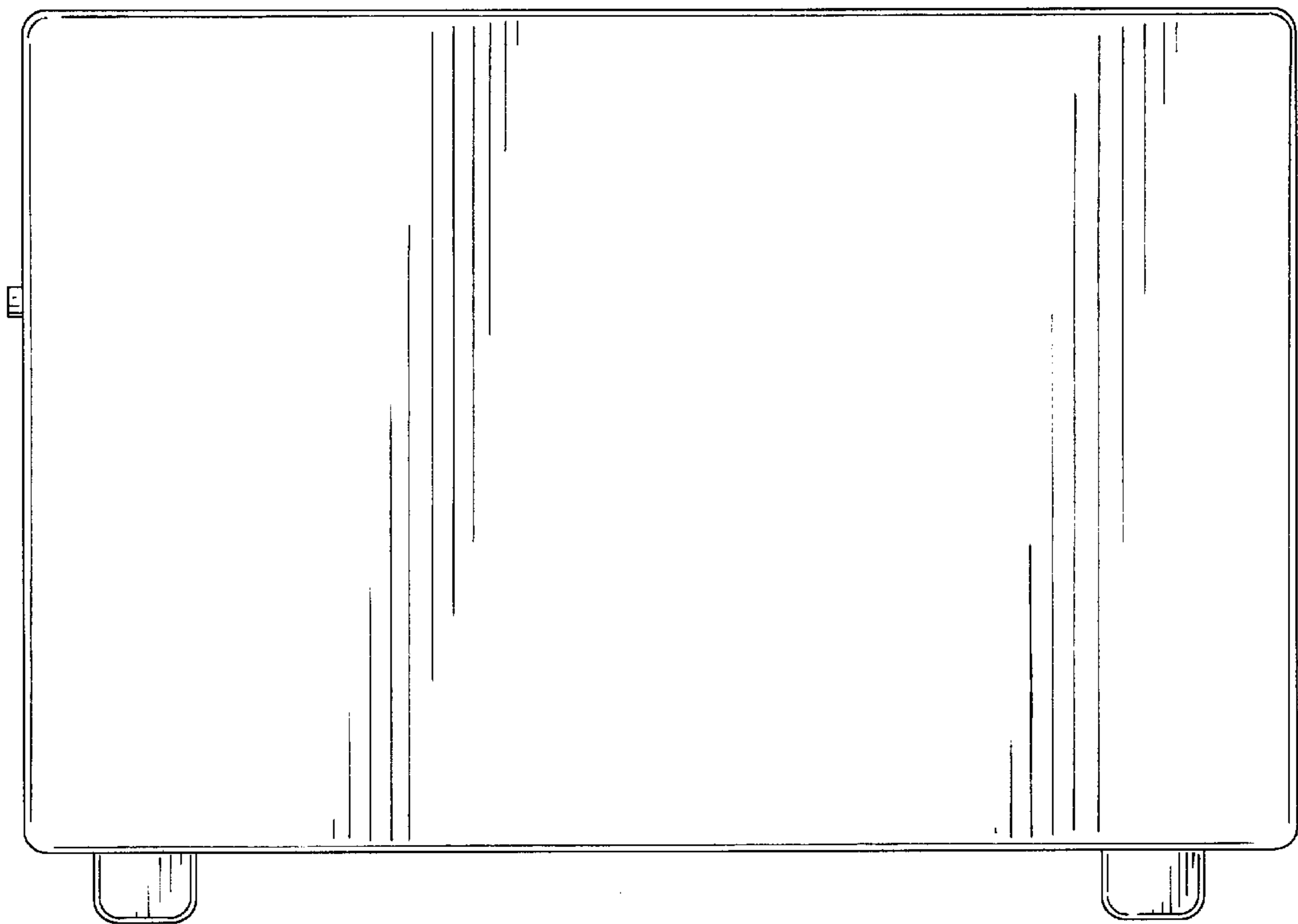


FIG. 3

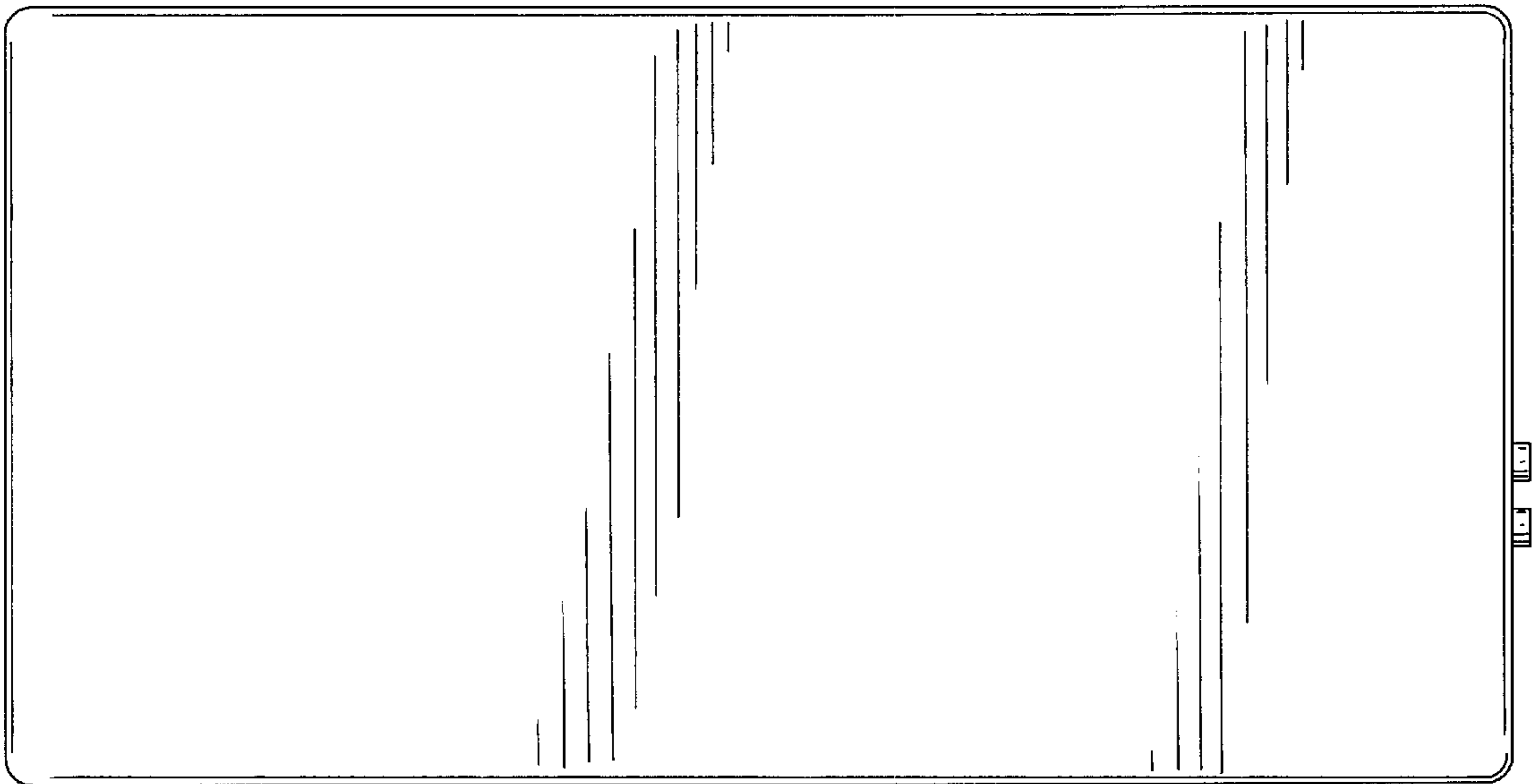


FIG. 4

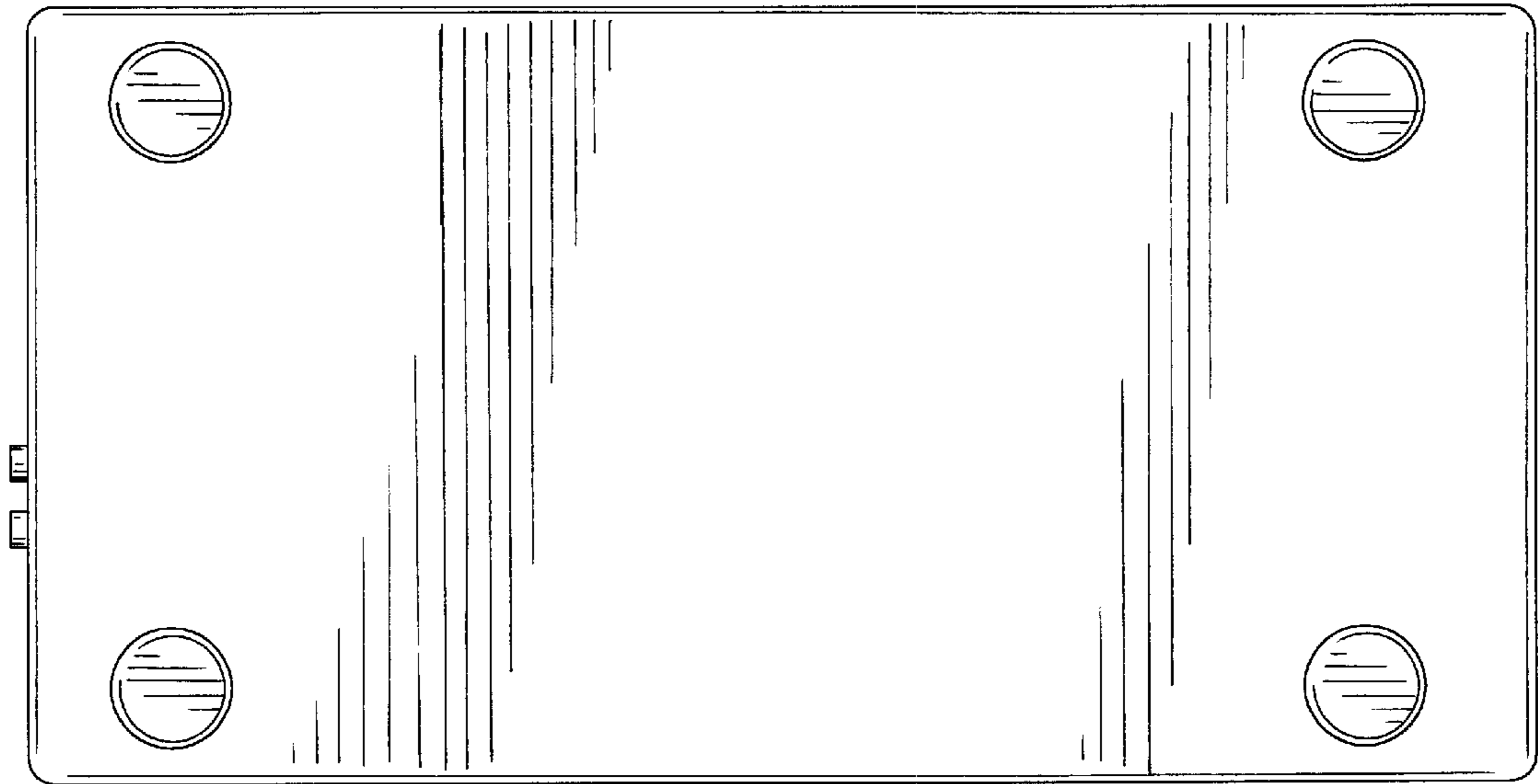


FIG. 5

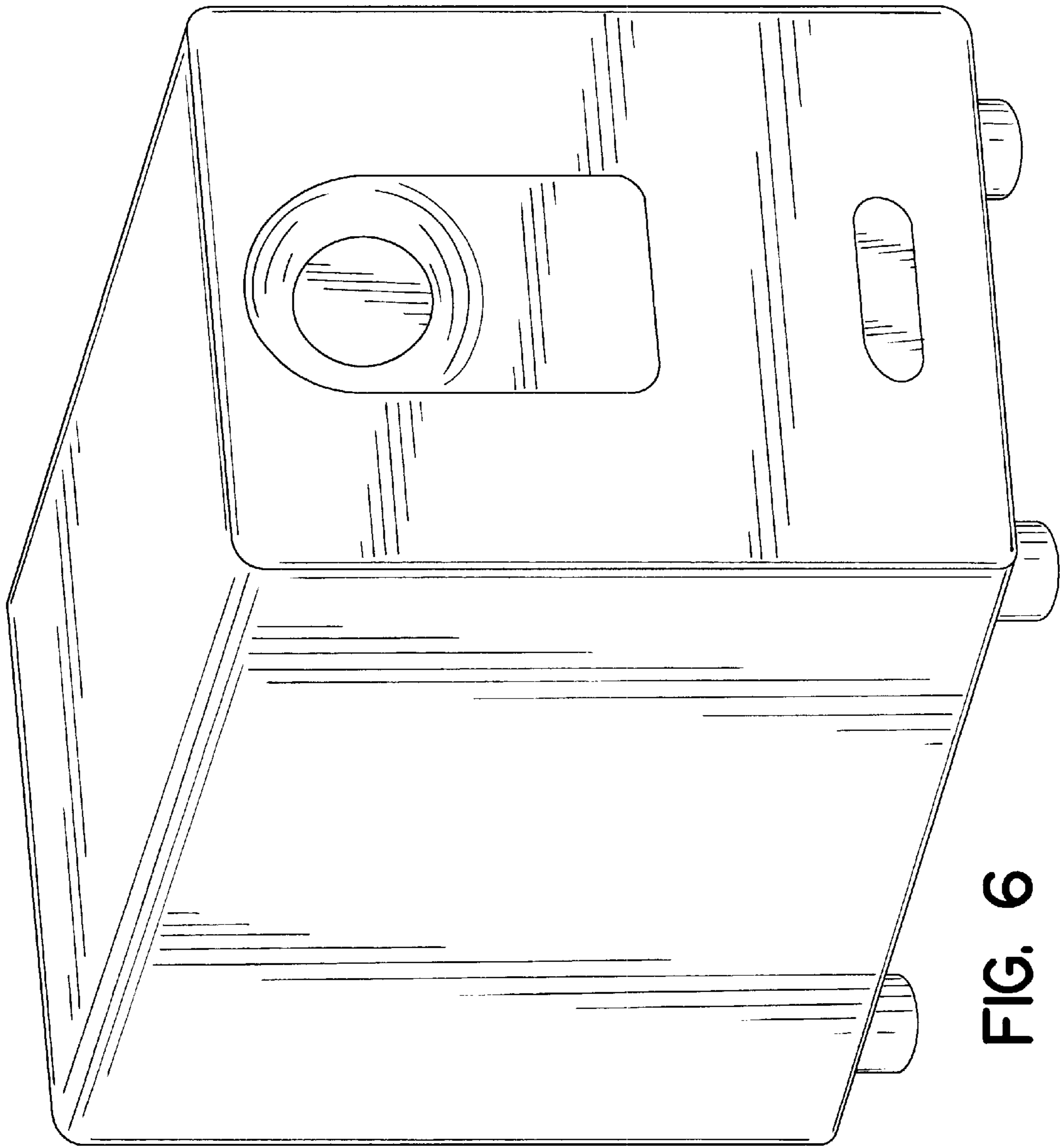


FIG. 6