



US00D476308S

(12) **United States Design Patent**  
**Bhavnani**

(10) **Patent No.:** **US D476,308 S**

(45) **Date of Patent:** **\*\* Jun. 24, 2003**

- (54) **RADIO**
- (75) Inventor: **Dilip K. Bhavnani**, Beverly Hills, CA (US)
- (73) Assignee: **Sun Coast Merchandise, Inc.**, Commerce, CA (US)
- (\*\*) Term: **14 Years**
- (21) Appl. No.: **29/176,017**
- (22) Filed: **Feb. 13, 2003**

5,471,659 A	*	11/1995	Wong	.....	455/347
D379,007 S	*	4/1997	Obata	.....	D14/168
D381,983 S	*	8/1997	Nagal	.....	D14/168
D385,562 S	*	10/1997	Nijima et al.	.....	D14/188
D411,198 S	*	6/1999	Kawase	.....	D14/197
D422,590 S	*	4/2000	Kloss	.....	D14/194
D428,612 S	*	7/2000	Scorrano	.....	D14/194

\* cited by examiner

*Primary Examiner*—Prabhakar Deshmukh  
(74) *Attorney, Agent, or Firm*—Michael Hoffman; The Soni Law Firm

**Related U.S. Application Data**

- (62) Division of application No. 29/165,713, filed on Aug. 15, 2002.
- (51) **LOC (7) Cl.** ..... **14-03**
- (52) **U.S. Cl.** ..... **D14/197**
- (58) **Field of Search** ..... D14/137, 138, D14/155, 156, 157, 168, 169, 188, 192-198; 455/344, 347, 350, 351

**References Cited**

**U.S. PATENT DOCUMENTS**

2,521,423 A	*	9/1950	Stuck	.....	455/347
4,639,225 A	*	1/1987	Washizuka	.....	455/347
5,146,618 A	*	9/1992	Wenner	.....	455/347
D344,729 S	*	3/1994	Mueller	.....	D14/194

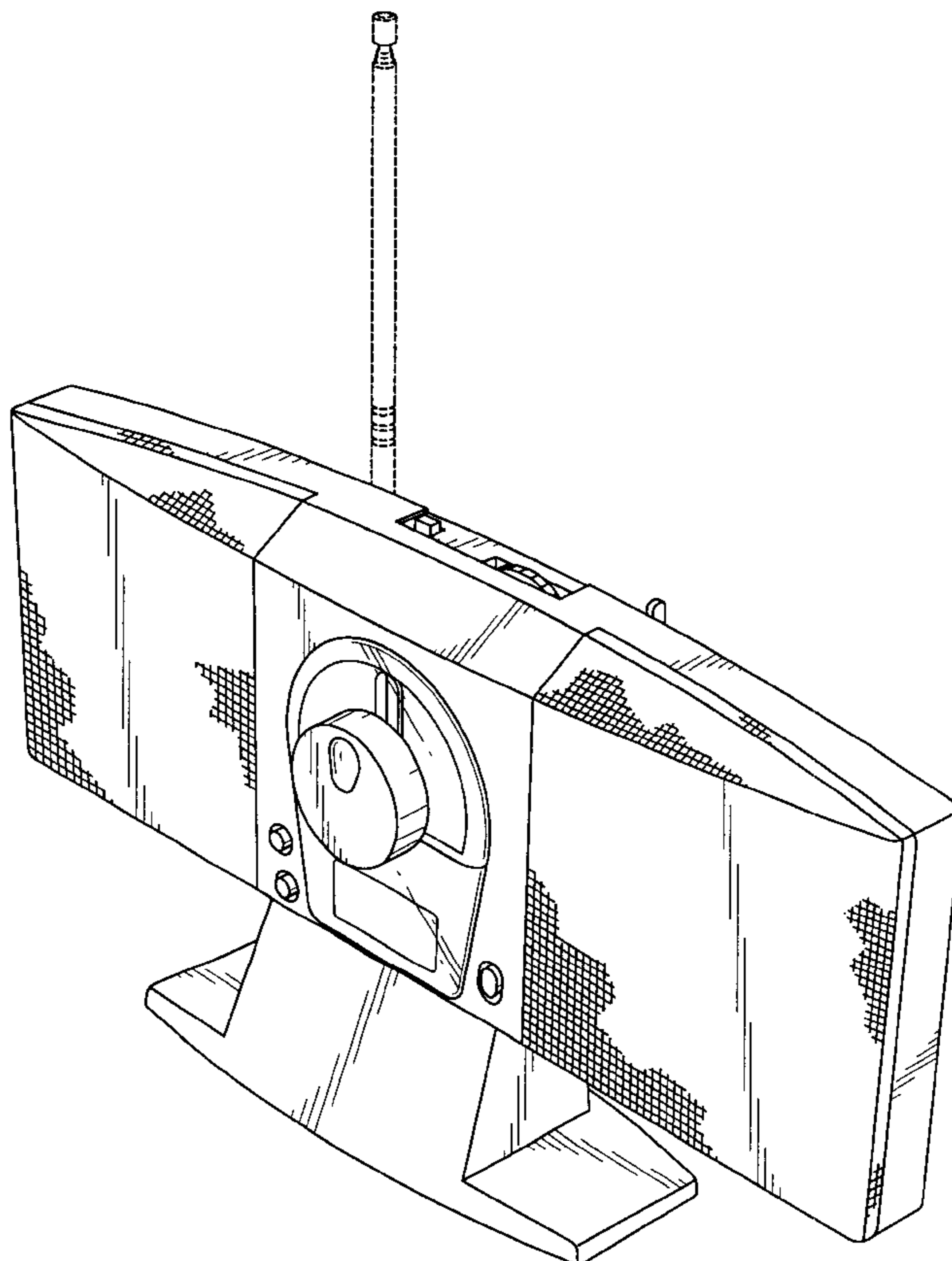
(57) **CLAIM**

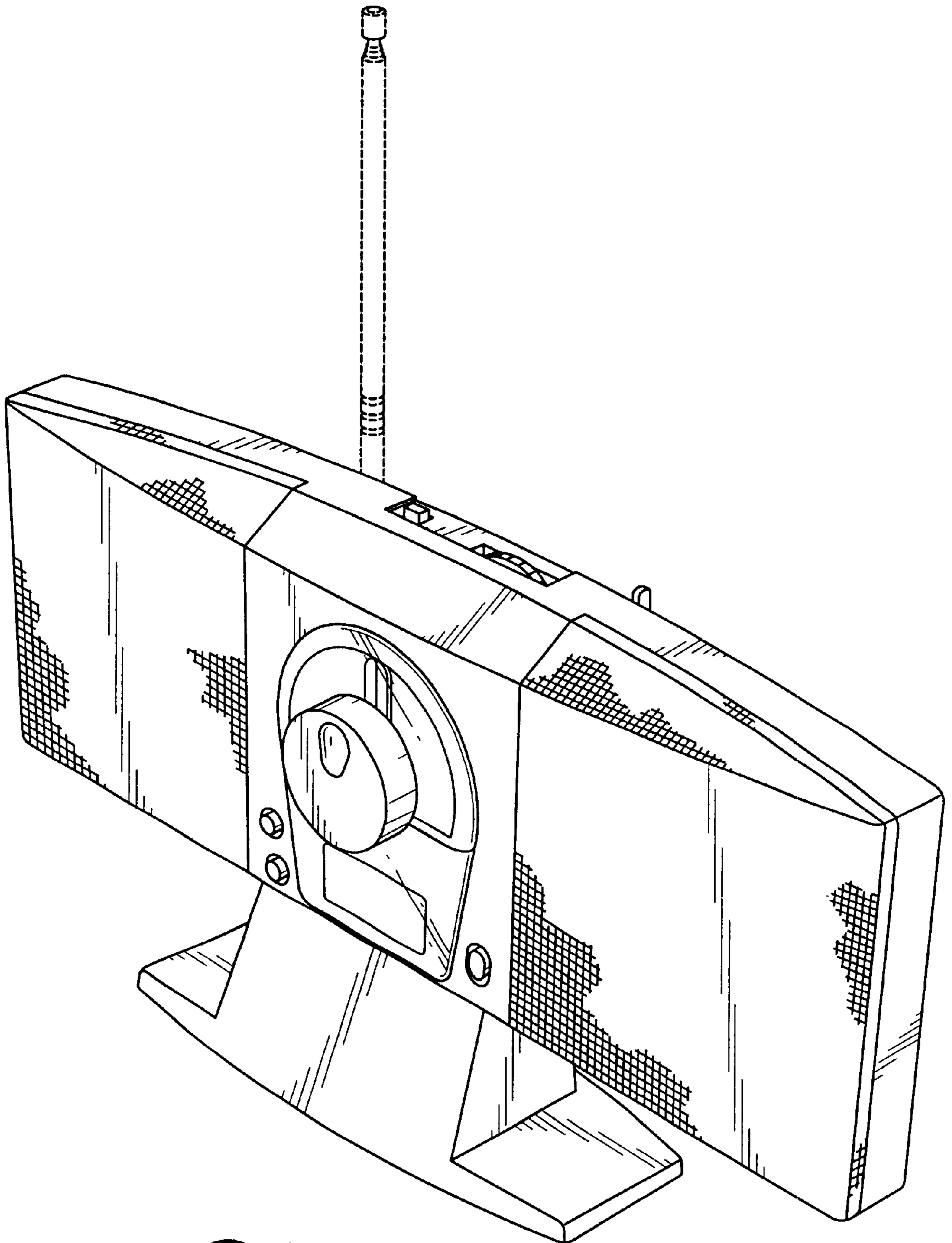
The ornamental design for a radio, as shown and described.

**DESCRIPTION**

FIG. 1 is a top front perspective view of the first embodiment of a radio illustrated with a base;  
 FIG. 2 is a bottom back perspective view of the radio illustrated in FIG. 1;  
 FIG. 3 is a right side elevational view of the radio illustrated in FIG. 1; and,  
 FIG. 4 is a left side elevational view of the radio illustrated in FIG. 1.  
 The broken lines representing the antenna in FIGS. 1 through 4 are for illustrative purposes and form no part of the claimed design.

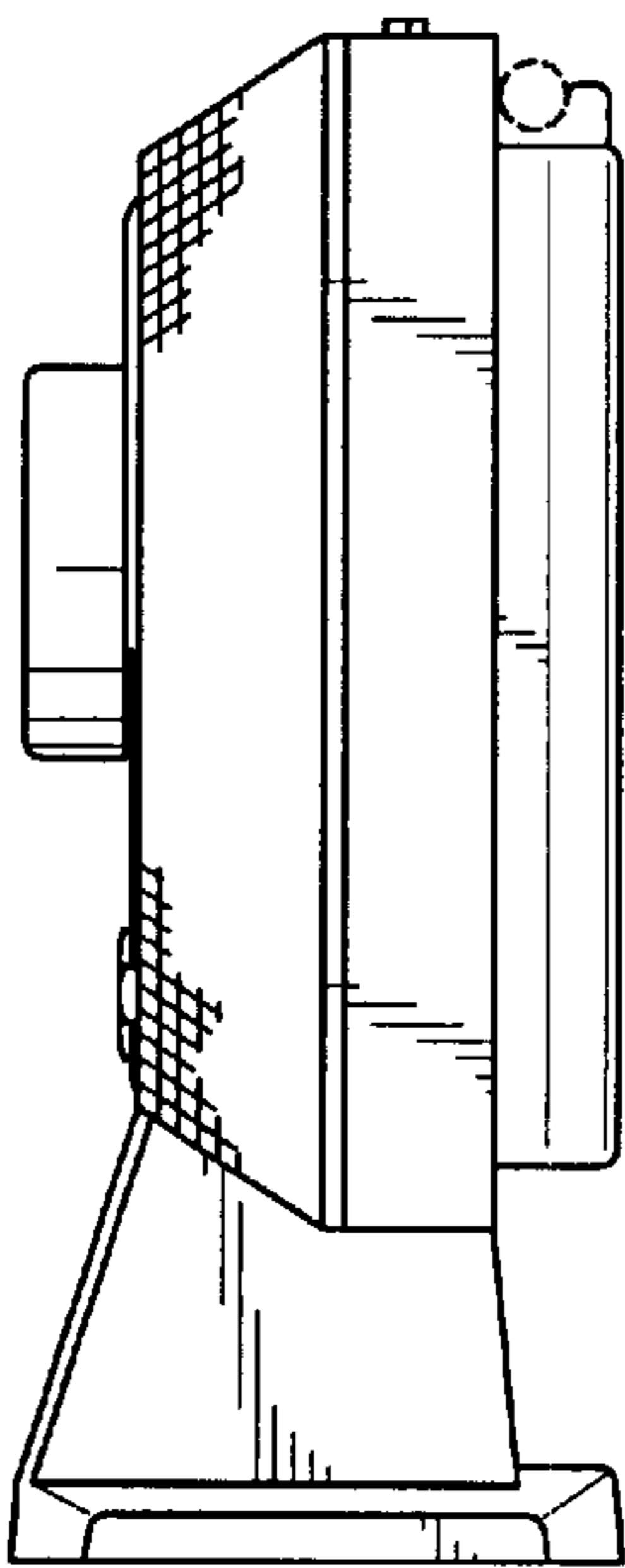
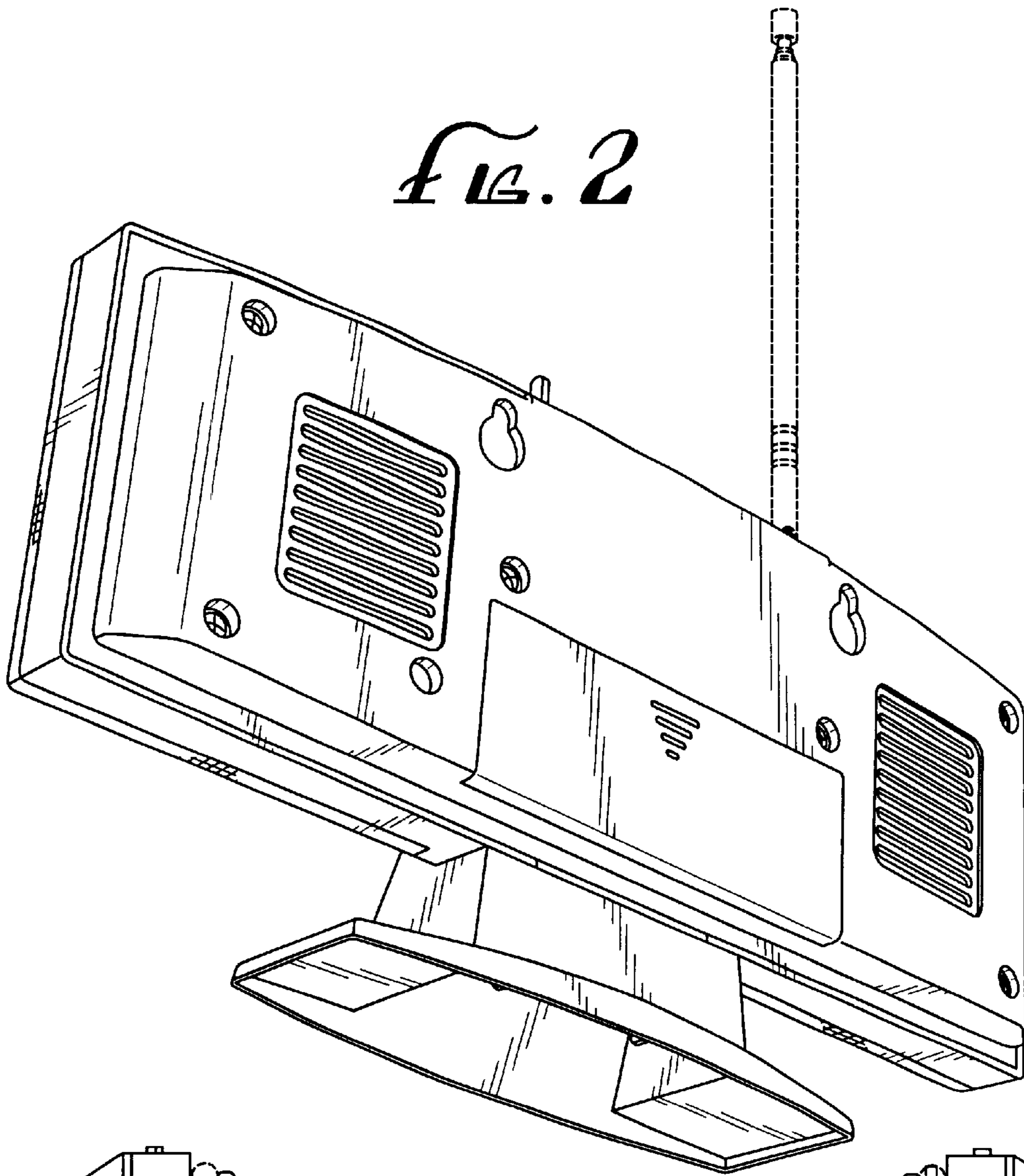
**1 Claim, 2 Drawing Sheets**





*FIG. 1*

*FIG. 2*



*FIG. 3*

*FIG. 4*

