



US00D476306S

(12) **United States Design Patent**
Abe et al.

(10) **Patent No.:** **US D476,306 S**

(45) **Date of Patent:** **** Jun. 24, 2003**

(54) **SERVO AMPLIFIER**

(75) Inventors: **Tomonori Abe**, Tokyo (JP); **Yasuhiro Endo**, Tokyo (JP); **Shoji Kasugai**, Tokyo (JP); **Keiichi Takikoshi**, Tokyo (JP)

(73) Assignee: **Mitsubishi Denki Kabushiki Kaisha**, Tokyo (JP)

(**) Term: **14 Years**

(21) Appl. No.: **29/170,256**

(22) Filed: **Nov. 4, 2002**

(30) **Foreign Application Priority Data**

Jul. 2, 2002 (JP) 2002-017737

(51) **LOC (7) Cl.** **14-03**

(52) **U.S. Cl.** **D14/188**

(58) **Field of Search** D14/188, 197,
D14/198, 265, 299, 168, 169; 455/344,
347, 350, 351

(56) **References Cited**

U.S. PATENT DOCUMENTS

D267,949 S * 2/1983 Hisataune D14/188
4,676,619 A * 6/1987 Woolley 455/344
5,285,500 A * 2/1994 Mantz 455/346

D379,354 S * 5/1997 Hippen D14/188
D404,396 S * 1/1999 Mackie et al. D14/188
D416,903 S * 11/1999 Kizawa D14/188
D449,288 S * 10/2001 Sogabe D14/188

FOREIGN PATENT DOCUMENTS

JP 7-27427 3/1997

* cited by examiner

Primary Examiner—Prabhakar Deshmukh

(74) *Attorney, Agent, or Firm*—Oblon, Spivak, McClelland, Maier & Neustadt, P.C.

(57) **CLAIM**

The ornamental design for a servo amplifier, as shown and described.

DESCRIPTION

FIG. 1 is a front, top and left side perspective view of a servo amplifier, showing our new design;
FIG. 2 is a front elevational view thereof;
FIG. 3 is a rear elevational view thereof;
FIG. 4 is a top plan view thereof;
FIG. 5 is a bottom plan view thereof;
FIG. 6 is a right side elevational view thereof;
FIG. 7 is a left side elevational view thereof; and,
FIG. 8 is a cross-sectional view thereof, taken along line 8—8 of FIG. 2, with the internal system omitted.

1 Claim, 4 Drawing Sheets

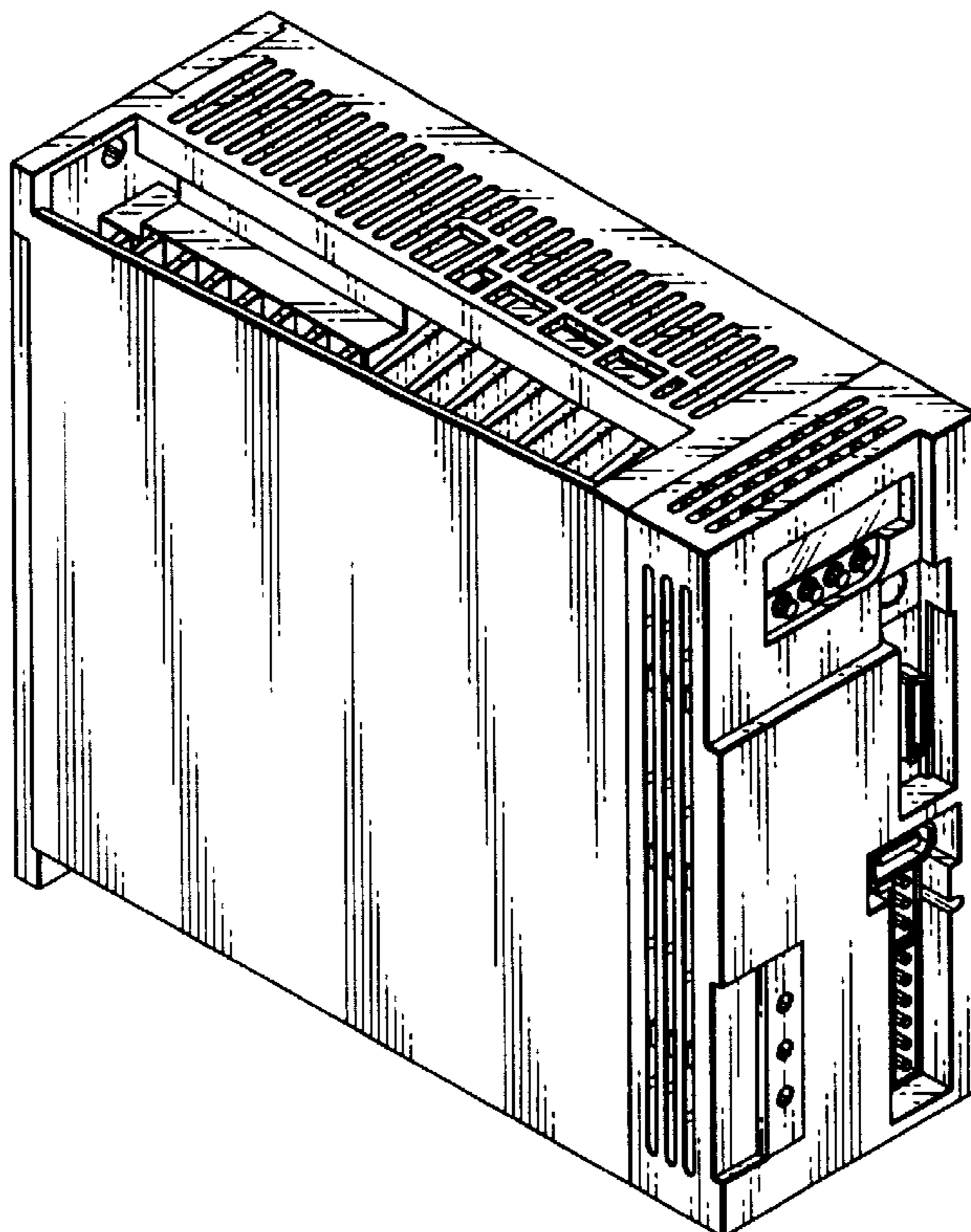


FIG. 1

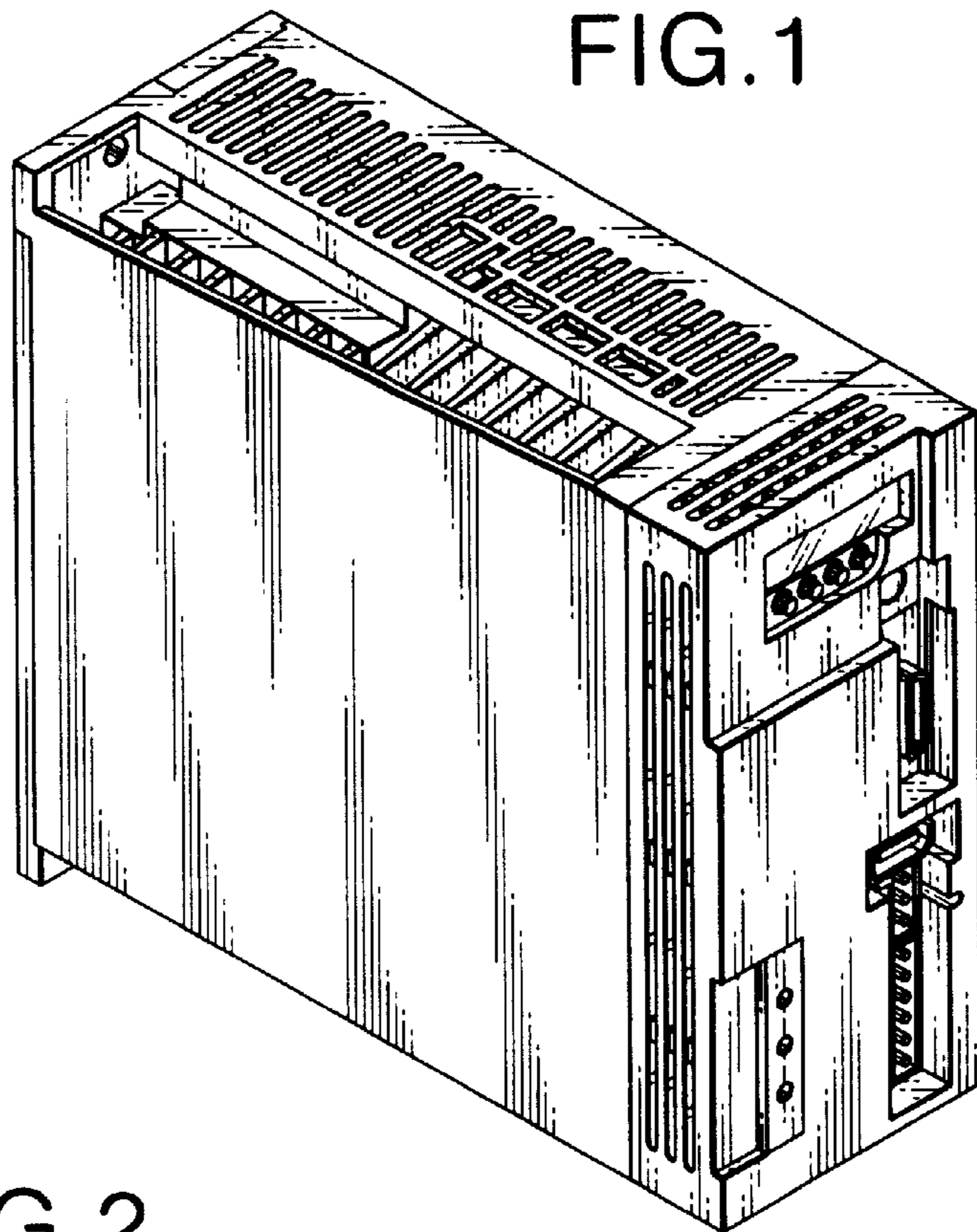


FIG. 2

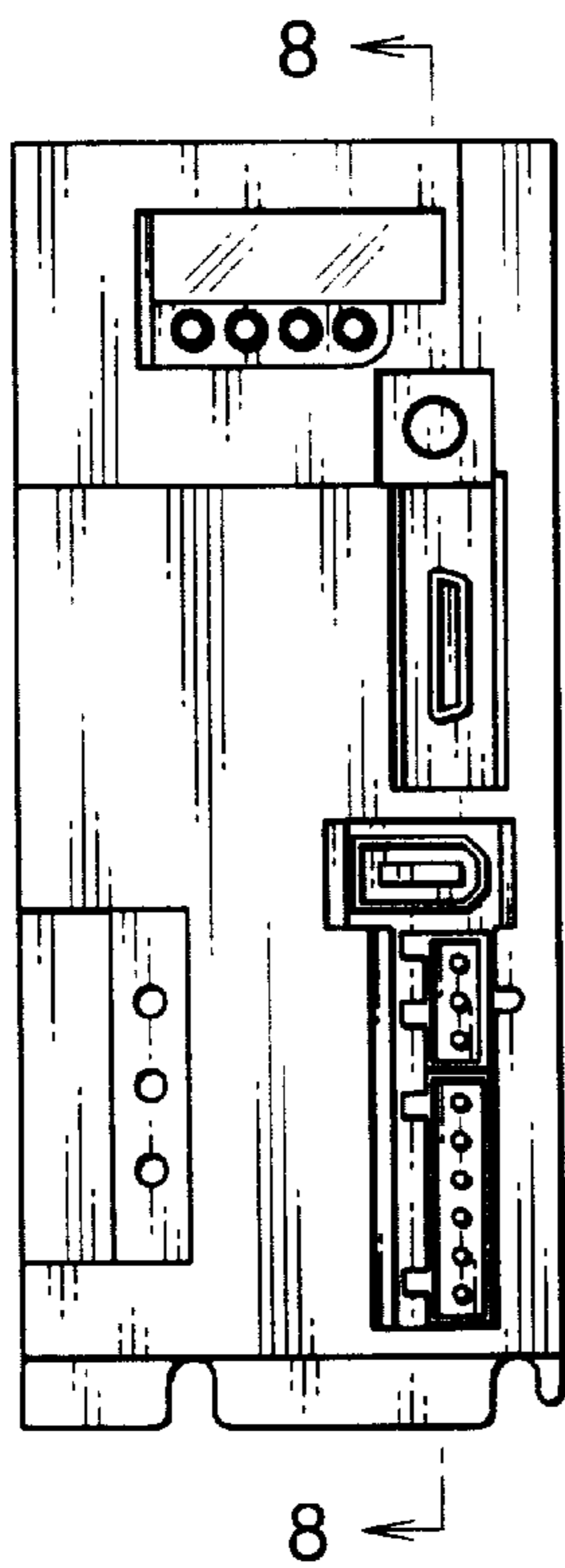


FIG. 3

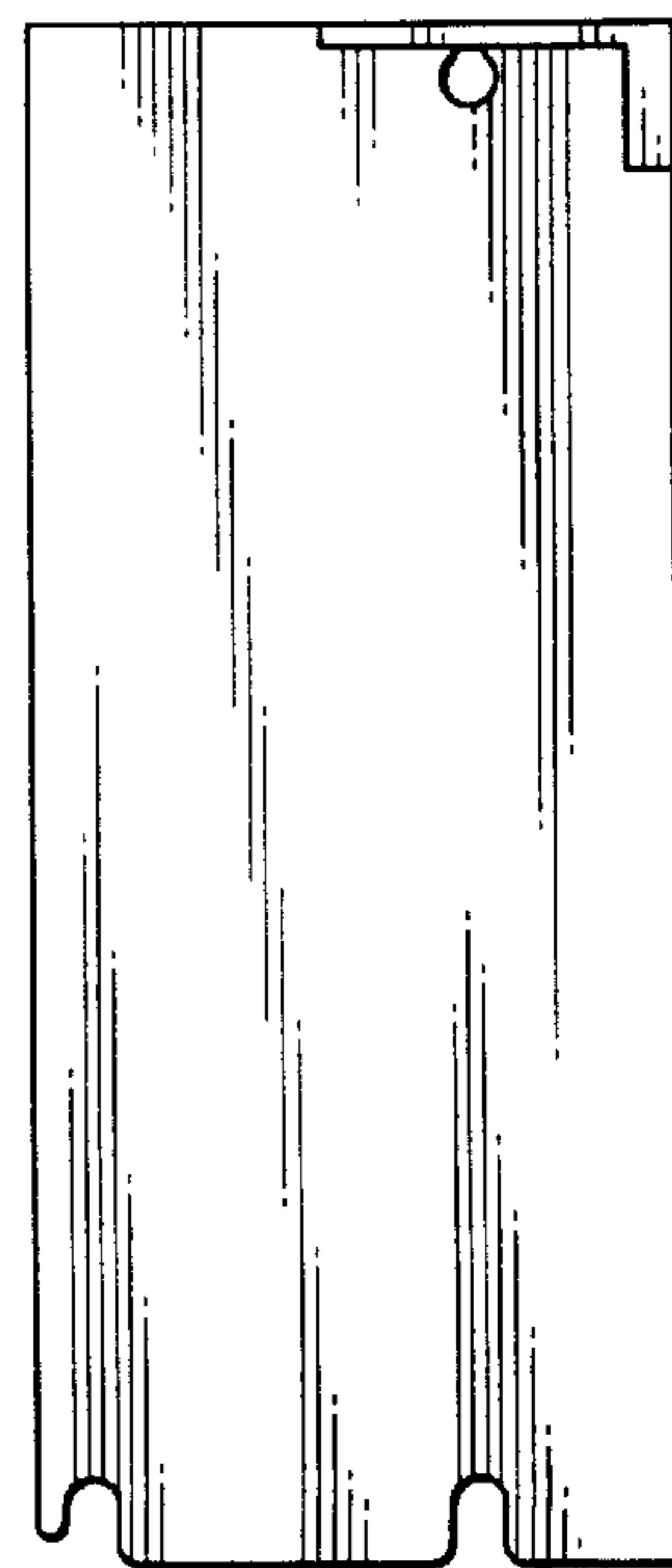


FIG. 4

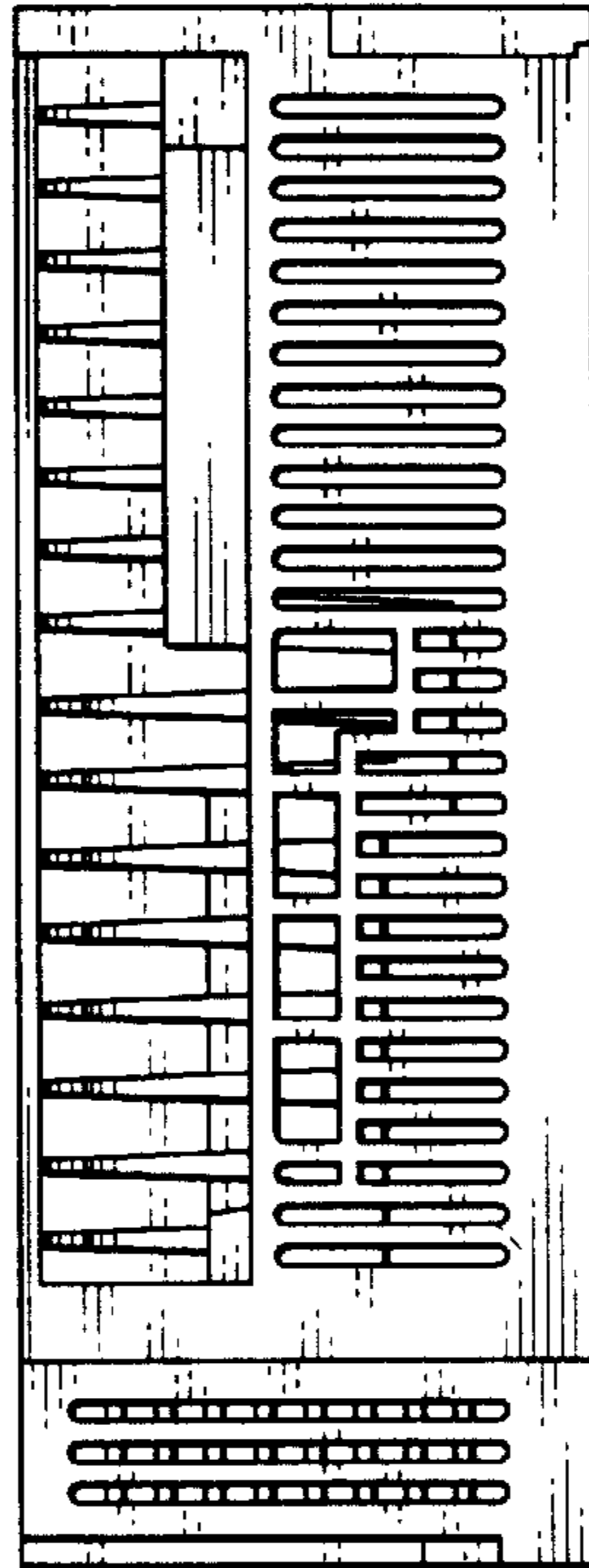


FIG. 5

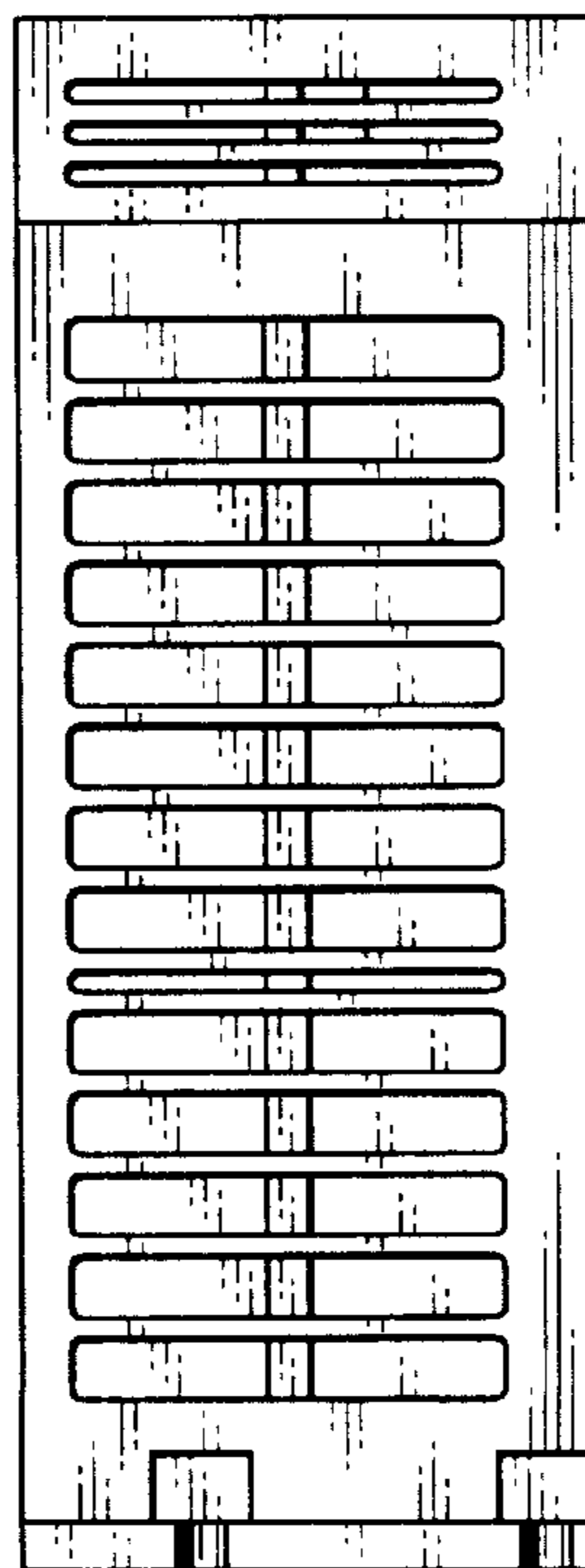


FIG. 6

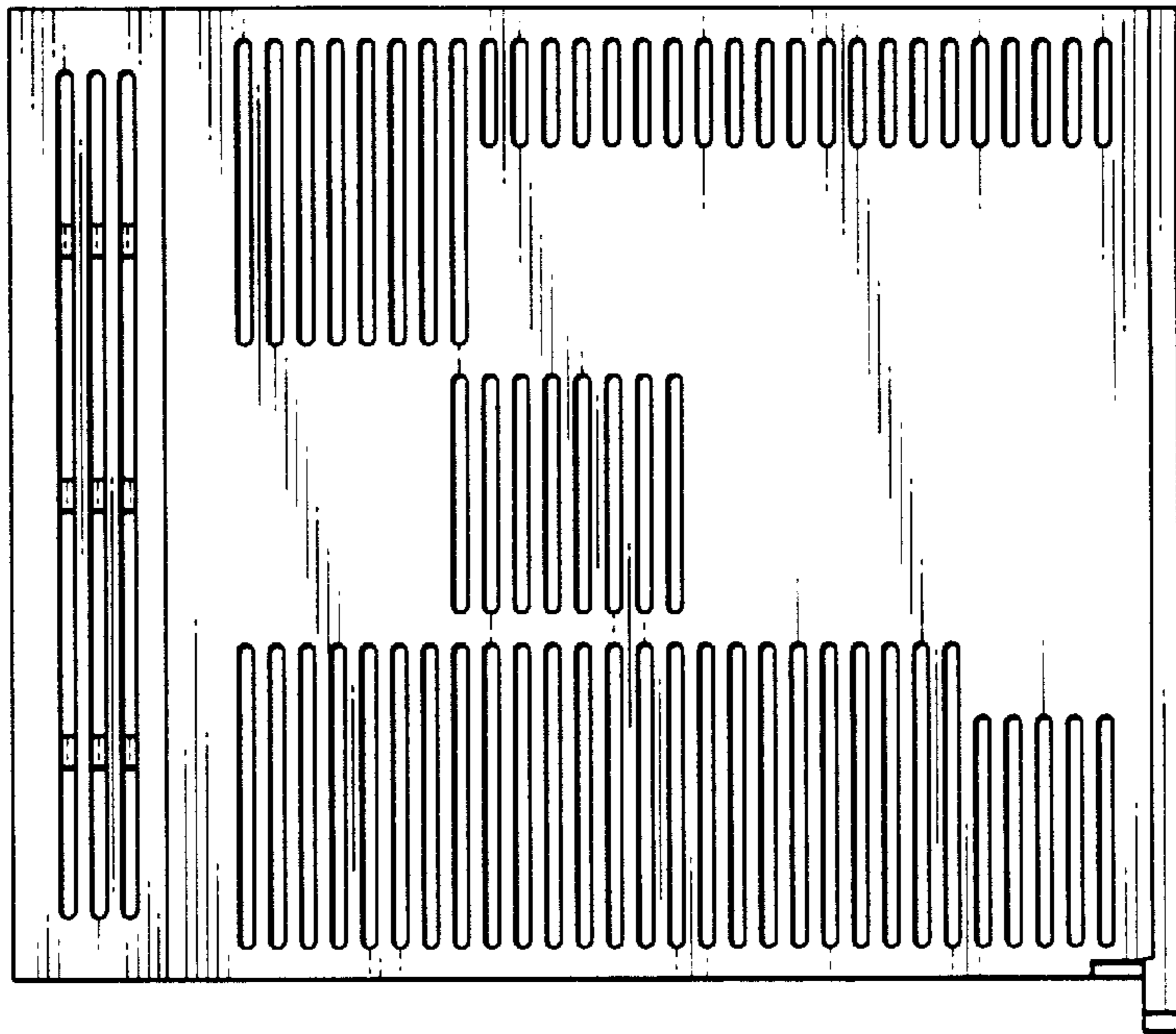


FIG. 7

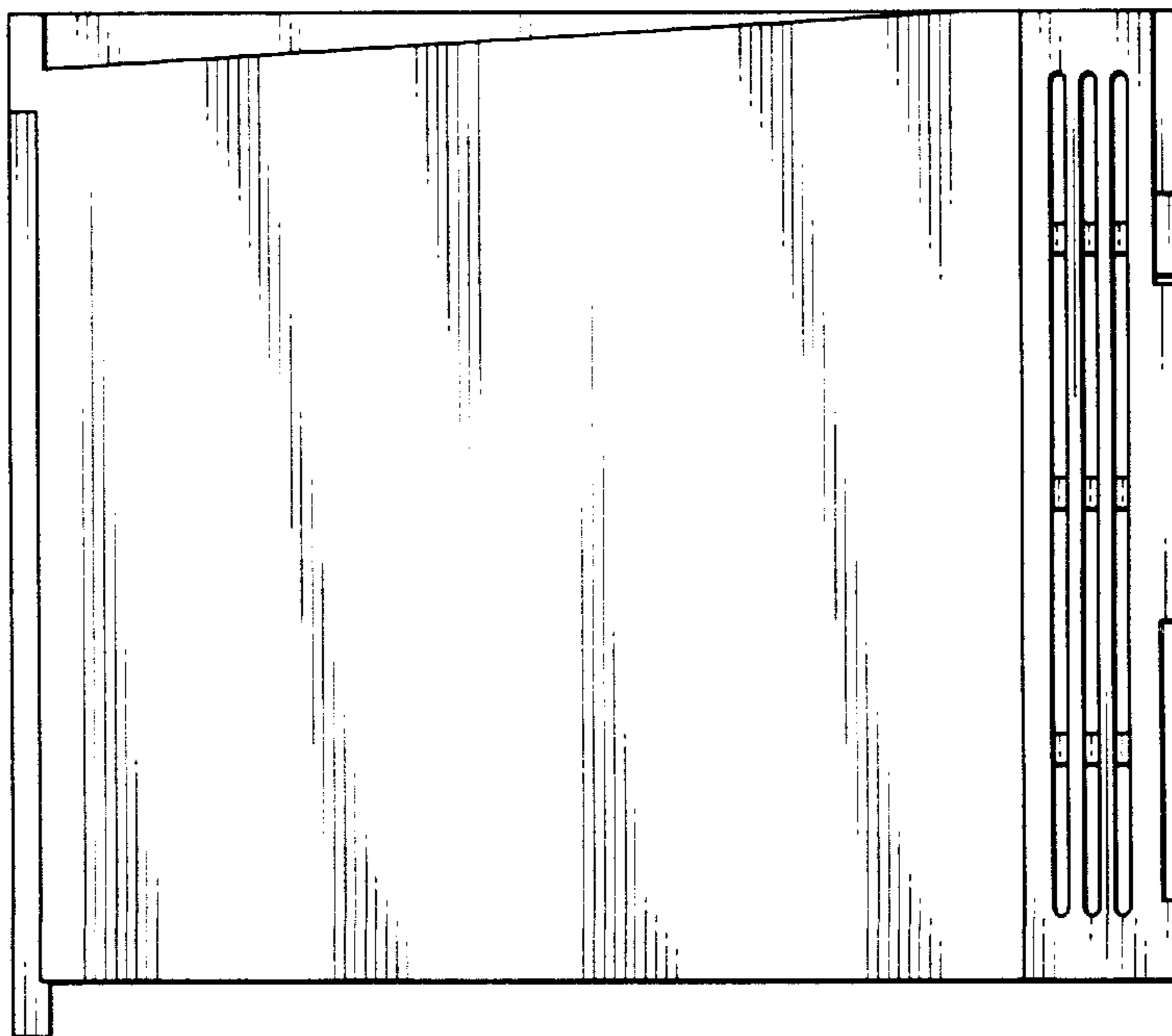


FIG. 8

