



US00D476297S

(12) **United States Design Patent**
Schwimmer

(10) **Patent No.:** **US D476,297 S**

(45) **Date of Patent:** **** Jun. 24, 2003**

(54) **AUTOMOTIVE ELECTRONICS ENCLOSURE WITH THREE OUTLETS**

D421,598 S * 3/2000 Berusha et al. D13/184
6,278,059 B1 * 8/2001 Lefton 174/50

(75) Inventor: **Alan Schwimmer**, Northbrook, IL (US)

* cited by examiner

(73) Assignee: **SAFCO Corporation**, Skokie, IL (US)

Primary Examiner—Ted Shooman

Assistant Examiner—Selina Sikder

(**) Term: **14 Years**

(74) *Attorney, Agent, or Firm*—Dillis V. Allen, Esq.

(21) Appl. No.: **29/157,520**

(57) **CLAIM**

(22) Filed: **Mar. 20, 2002**

The ornamental design for an automotive electronics enclosure with three outlets, as shown.

(51) **LOC (7) Cl.** **13-03**

DESCRIPTION

(52) **U.S. Cl.** **D13/184**

(58) **Field of Search** D13/184; D10/75,
D10/78, 80, 105; D14/125, 137, 140, 158,
240; D12/400; 361/600, 679, 692, 724;
174/50, 51, 52.1; 439/76.1

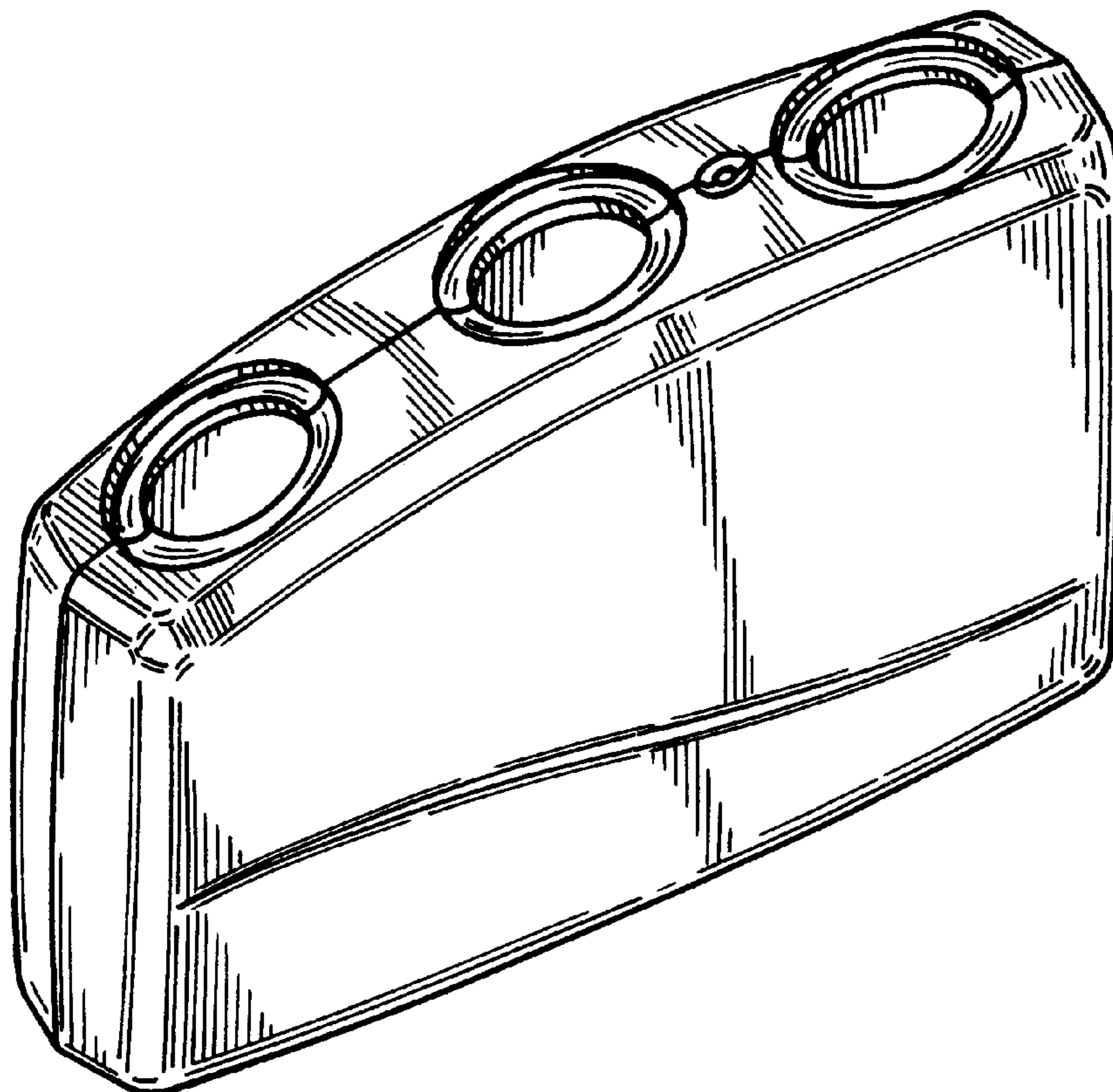
FIG. 1 is a front left side perspective view of the present automotive electronics enclosure with three outlets design; FIG. 2 is a front view of FIG. 1 of the automotive electronics enclosure with three outlets; FIG. 3 is a rear view of FIGS. 1 and 2 of the automotive electronics enclosure with three outlets; FIG. 4 is a top view of FIGS. 1 to 3 of the automotive electronics enclosure with three outlets; FIG. 5 is a bottom view of FIGS. 1 to 4 of the automotive electronics enclosure with three outlets; FIG. 6 is a left side view of FIGS. 1 to 5 of the automotive electronics enclosure with three outlets; and, FIG. 7 is a right side view of FIGS. 1 to 6 of the automotive electronics enclosure with three outlets.

(56) **References Cited**

U.S. PATENT DOCUMENTS

- 4,270,820 A * 6/1981 McMullan et al. 312/242
- 5,130,891 A * 7/1992 Christie 361/726
- D342,249 S * 12/1993 Beaumont et al. D14/142
- D342,250 S * 12/1993 Beaumont et al. D14/142
- D374,673 S * 10/1996 Beaumont et al. D14/240
- D378,577 S * 3/1997 Peroni D10/103
- D380,475 S * 7/1997 Rasmussen D14/240
- D402,641 S * 12/1998 Heijnen D13/184
- 5,981,871 A * 11/1999 Trumble et al. 174/35 GC

1 Claim, 3 Drawing Sheets



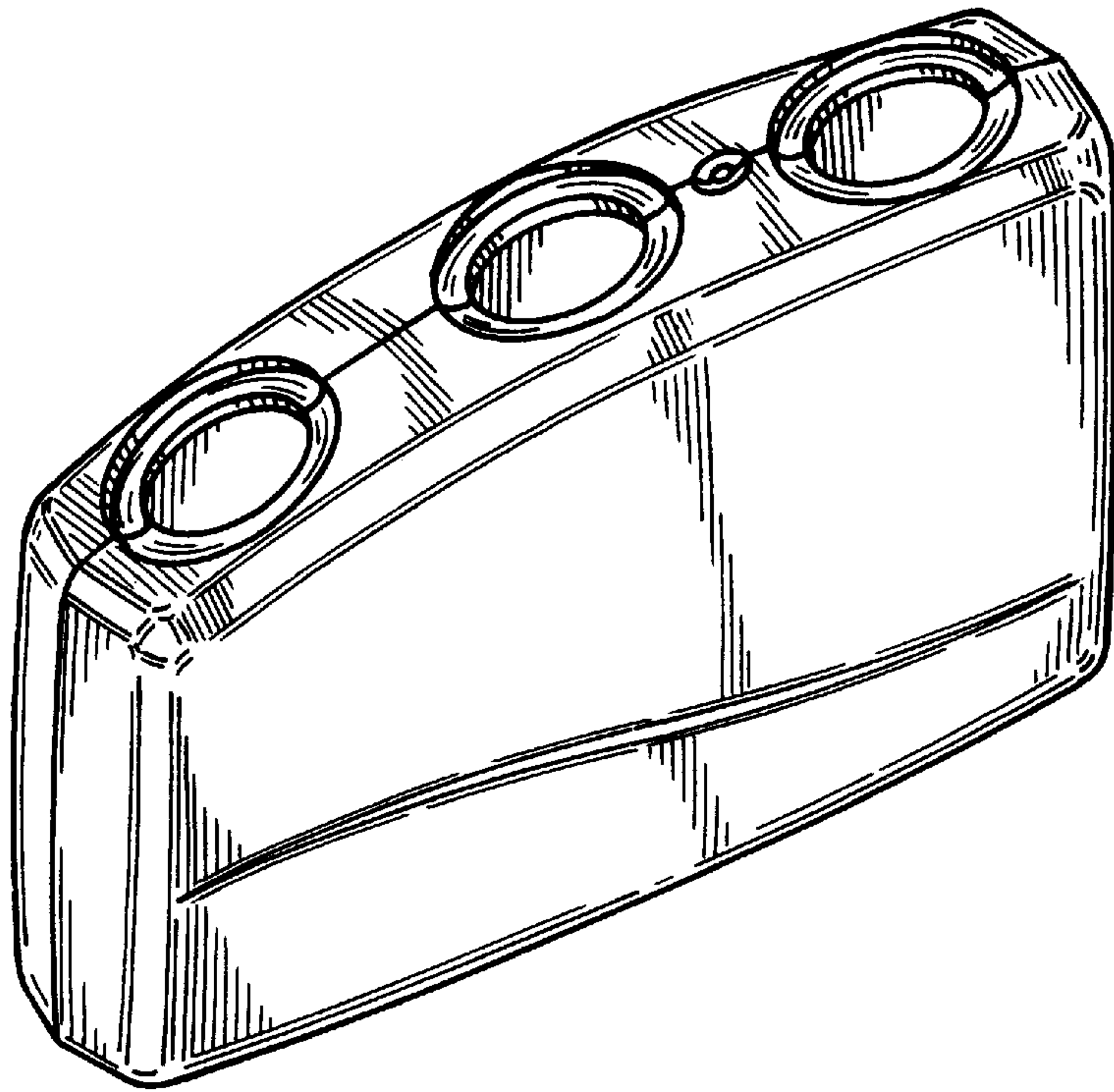


Fig. 1

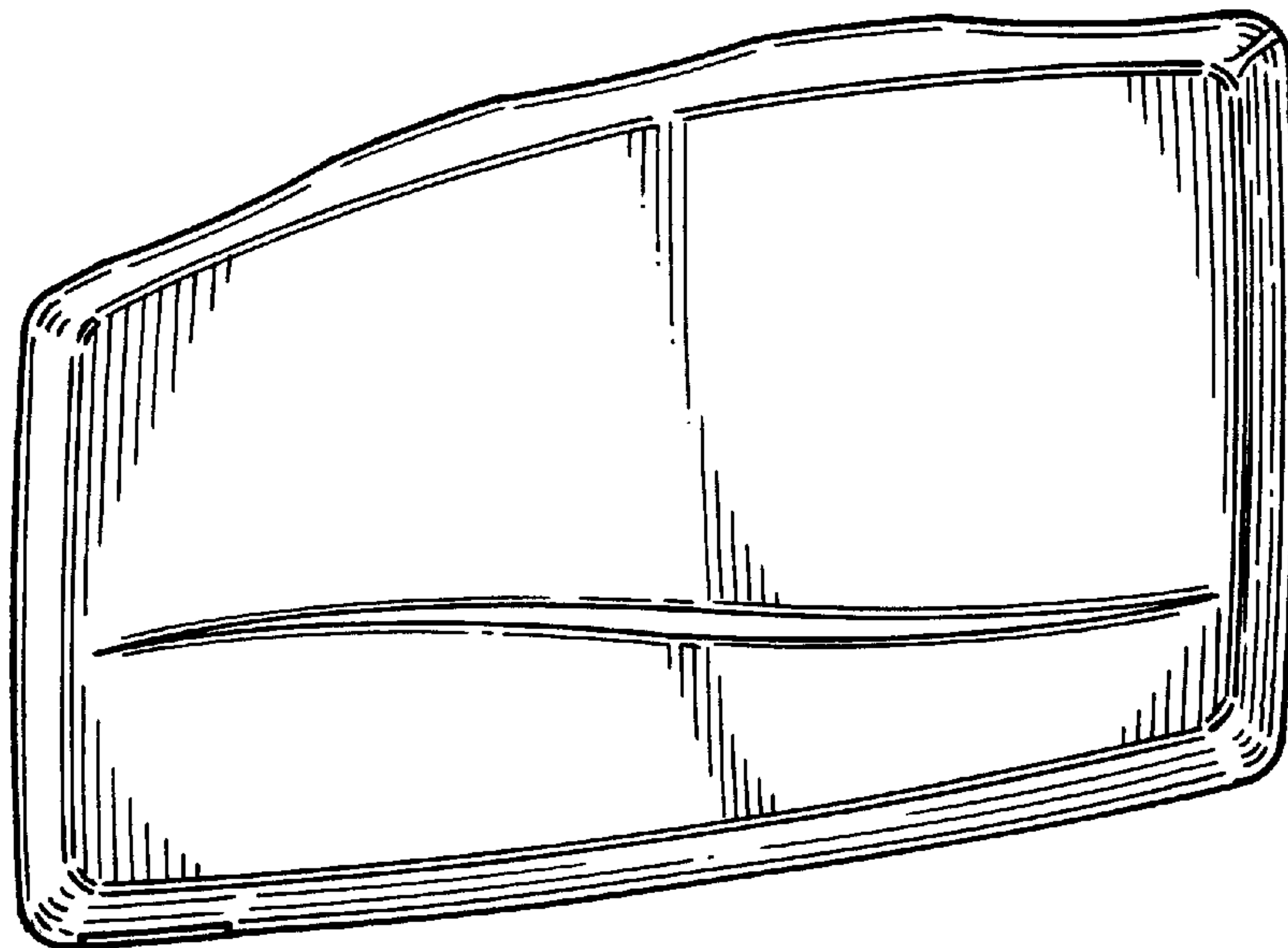


Fig. 2

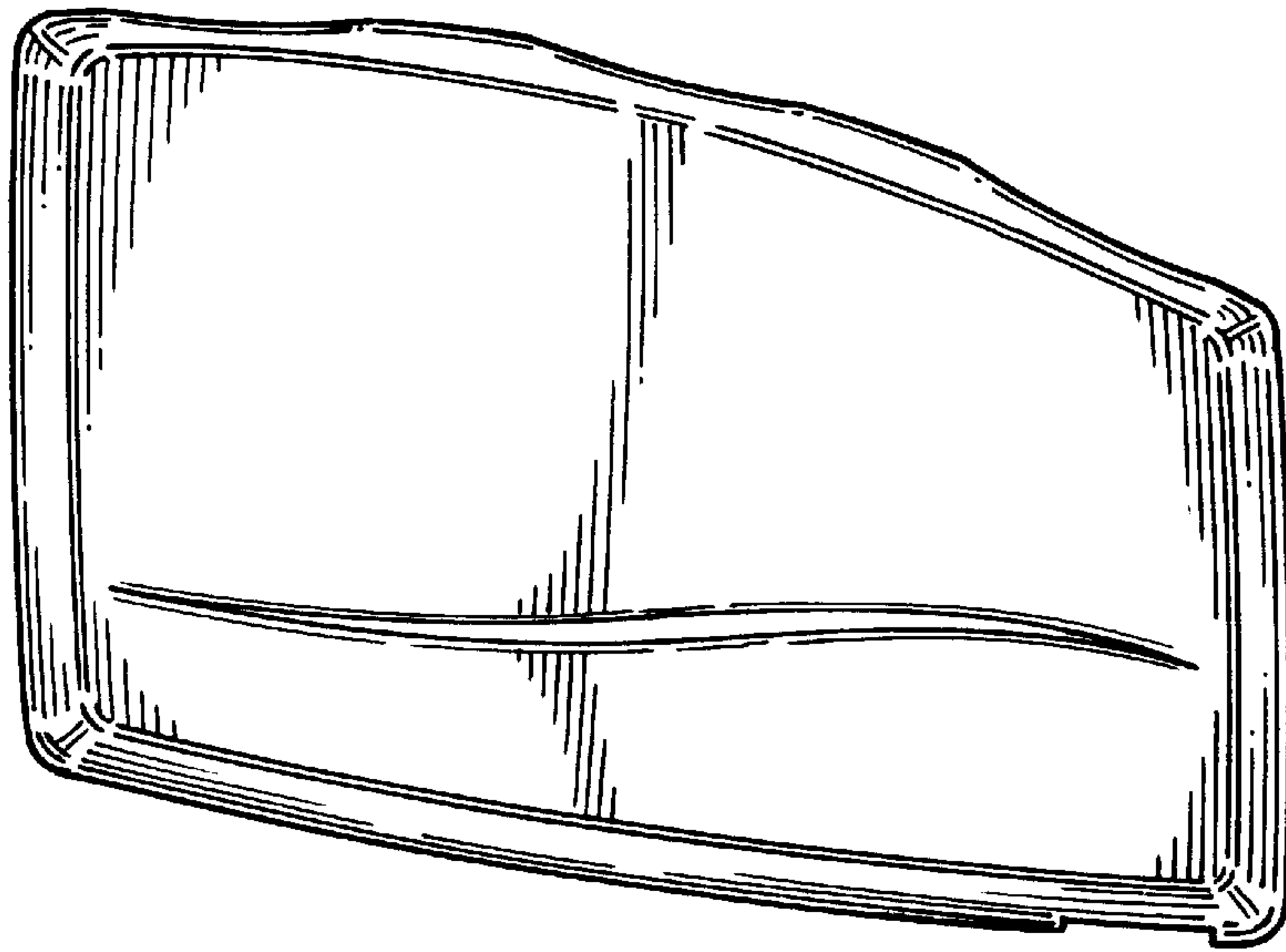


Fig. 3

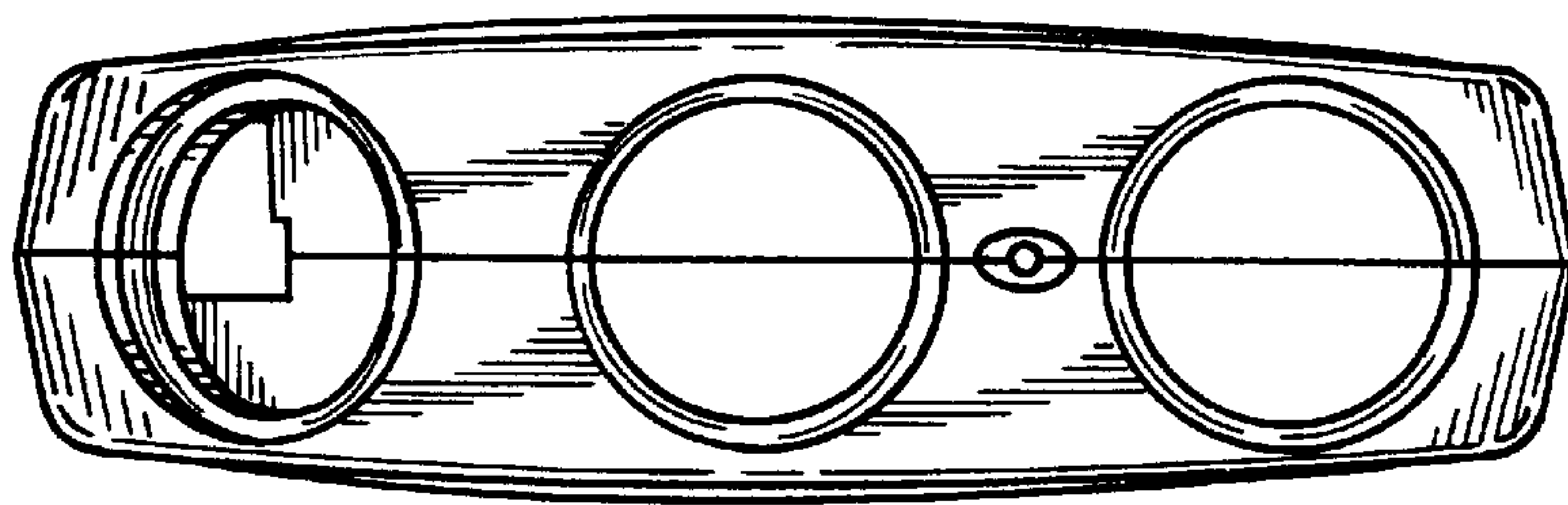


Fig. 4

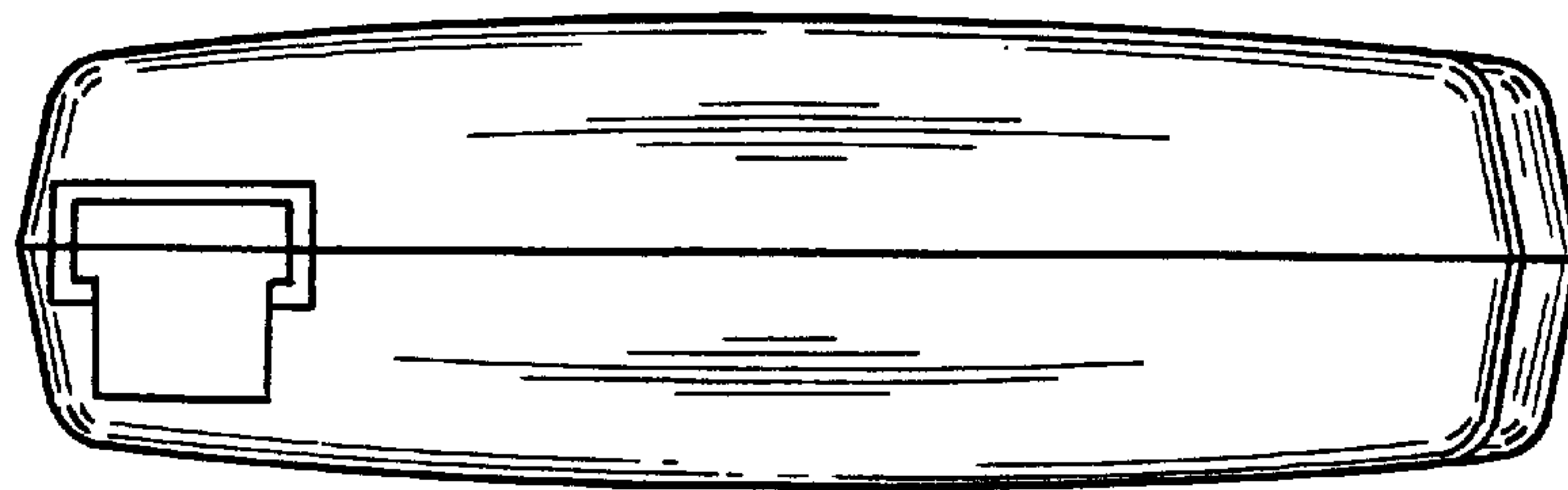


Fig. 5

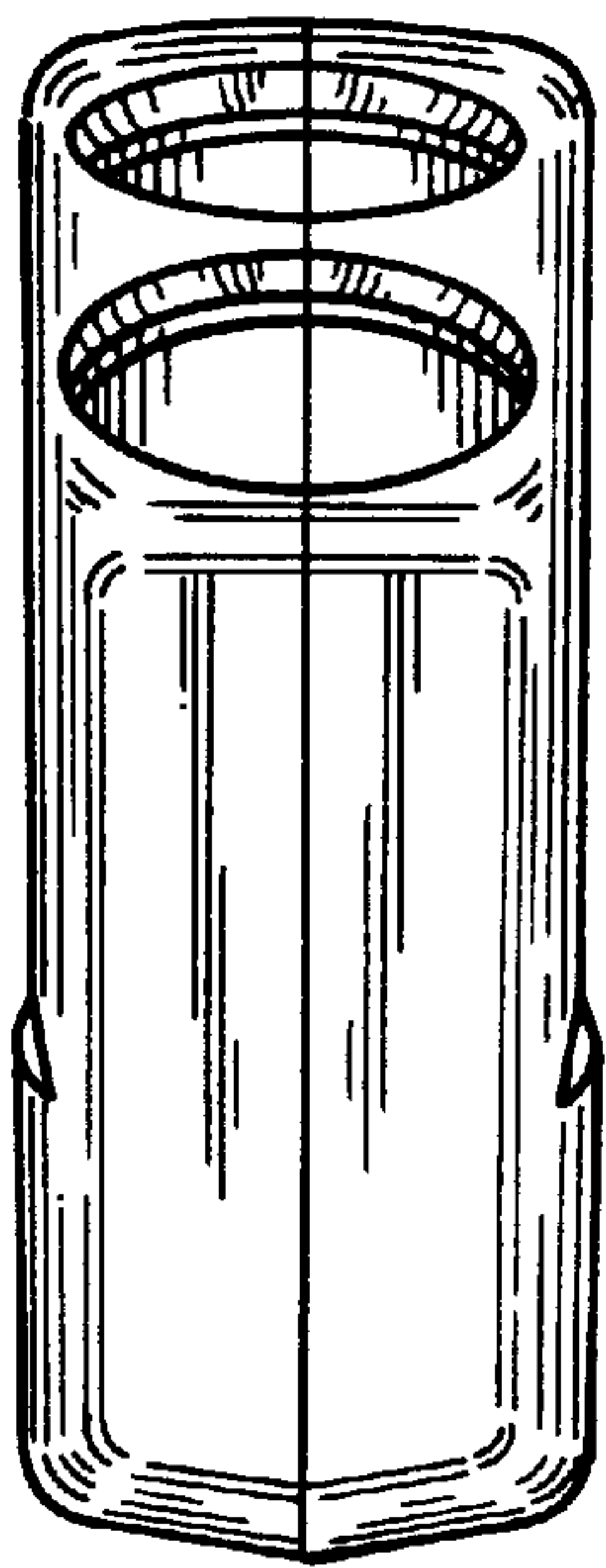


Fig. 6

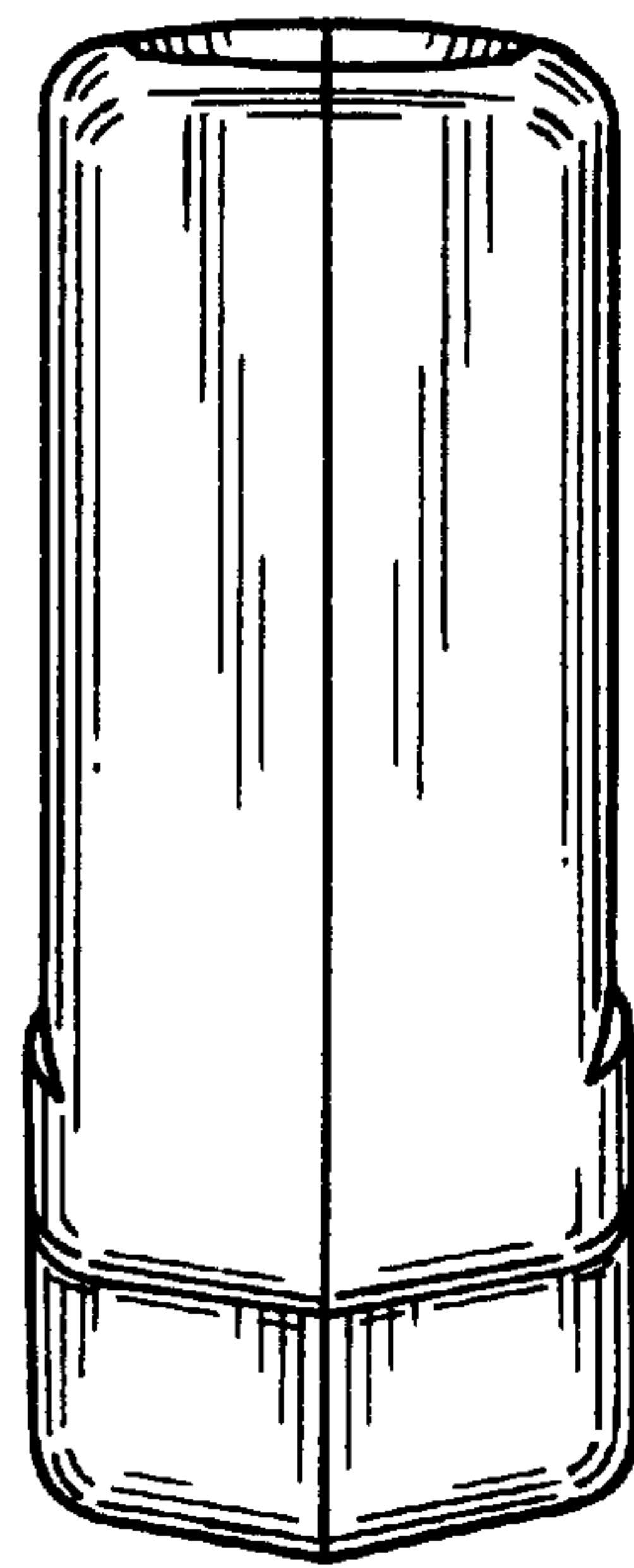


Fig. 7