



US00D476288S

(12) **United States Design Patent**
Higgins

(10) **Patent No.:** **US D476,288 S**

(45) **Date of Patent:** **** Jun. 24, 2003**

(54) **SKEG PROTECTOR**

(75) Inventor: **Rickey Lynn Higgins**, Huntington, TX (US)

(73) Assignee: **Megaware KeelGuard, Inc.**, Ogden, UT (US)

(**) Term: **14 Years**

(21) Appl. No.: **29/160,048**

(22) Filed: **May 2, 2002**

(51) **LOC (7) Cl.** **12-06**

(52) **U.S. Cl.** **D12/317**

(58) **Field of Search** D12/317; 440/76; 114/219

(56) **References Cited**

U.S. PATENT DOCUMENTS

4,909,172	A	*	3/1990	Hamby	114/219
5,018,997	A	*	5/1991	Guptill	114/219 X
5,178,565	A		1/1993	Jacobsen	440/71
5,277,632	A		1/1994	Davis	440/71
6,192,818	B1	*	2/2001	Rogers-Smith	114/219

* cited by examiner

Primary Examiner—Holly Baynham
(74) *Attorney, Agent, or Firm*—TraskBritt

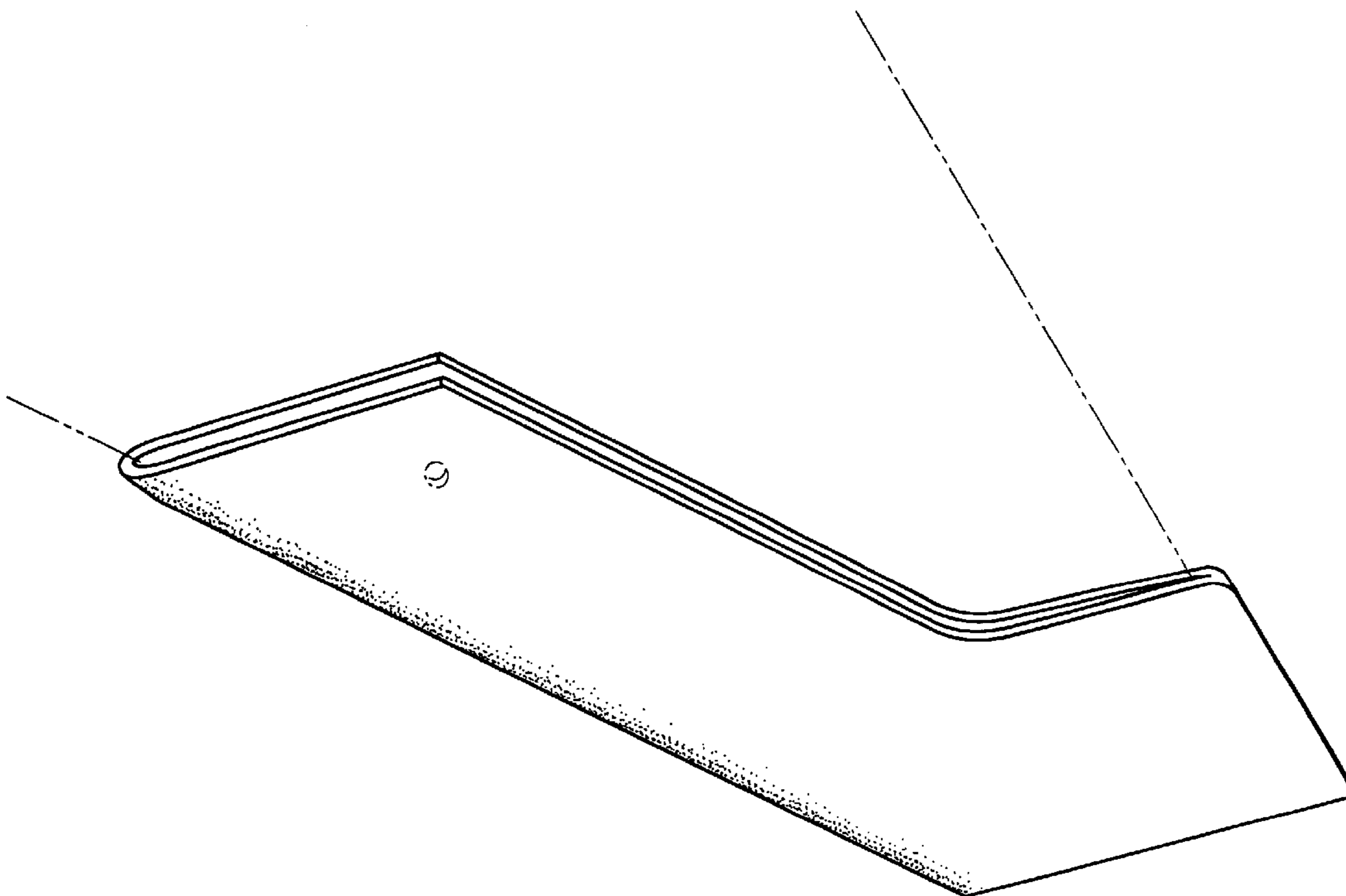
(57) **CLAIM**

The ornamental design for a skeg protector, as shown and described.

DESCRIPTION

FIG. 1 is a perspective view of a skeg protector showing my new design;
 FIG. 2 is a side view of the skeg protector shown in FIG. 1;
 FIG. 3 is another side view of the skeg protector shown in FIG. 1;
 FIG. 4 is a bottom end view of the skeg protector shown in FIG. 1;
 FIG. 5 is a top end view of the skeg protector shown in FIG. 1;
 FIG. 6 is a top plan view of the skeg protector shown in FIG. 1; and,
 FIG. 7 is a bottom plan view of the skeg protector shown in FIG. 1.
 The broken line showing of a partial structure on FIG. 1 and an opening on FIG. 2 is for illustrative purposes only and forms no part of the claimed design.

1 Claim, 2 Drawing Sheets



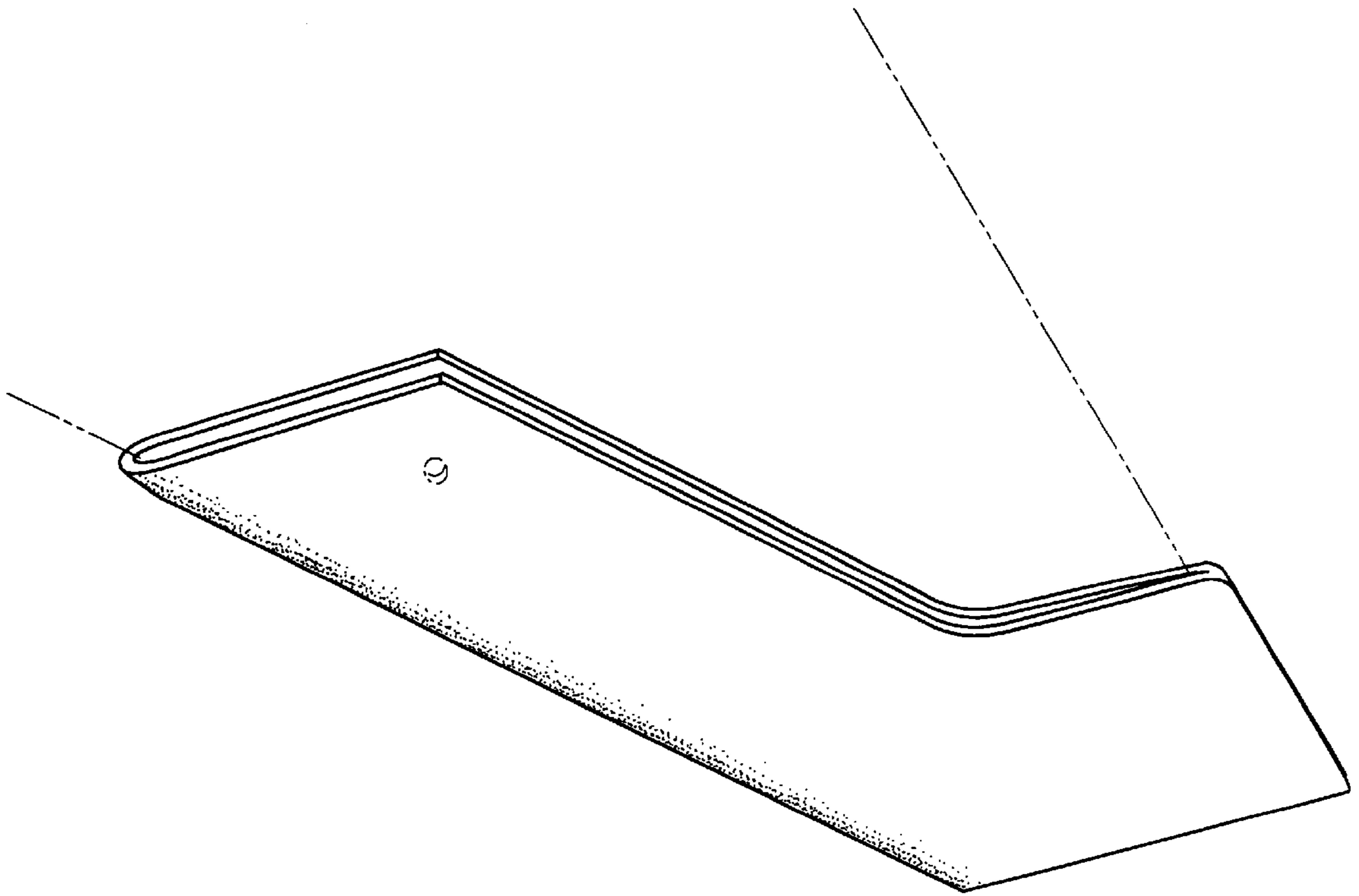


Fig. 1

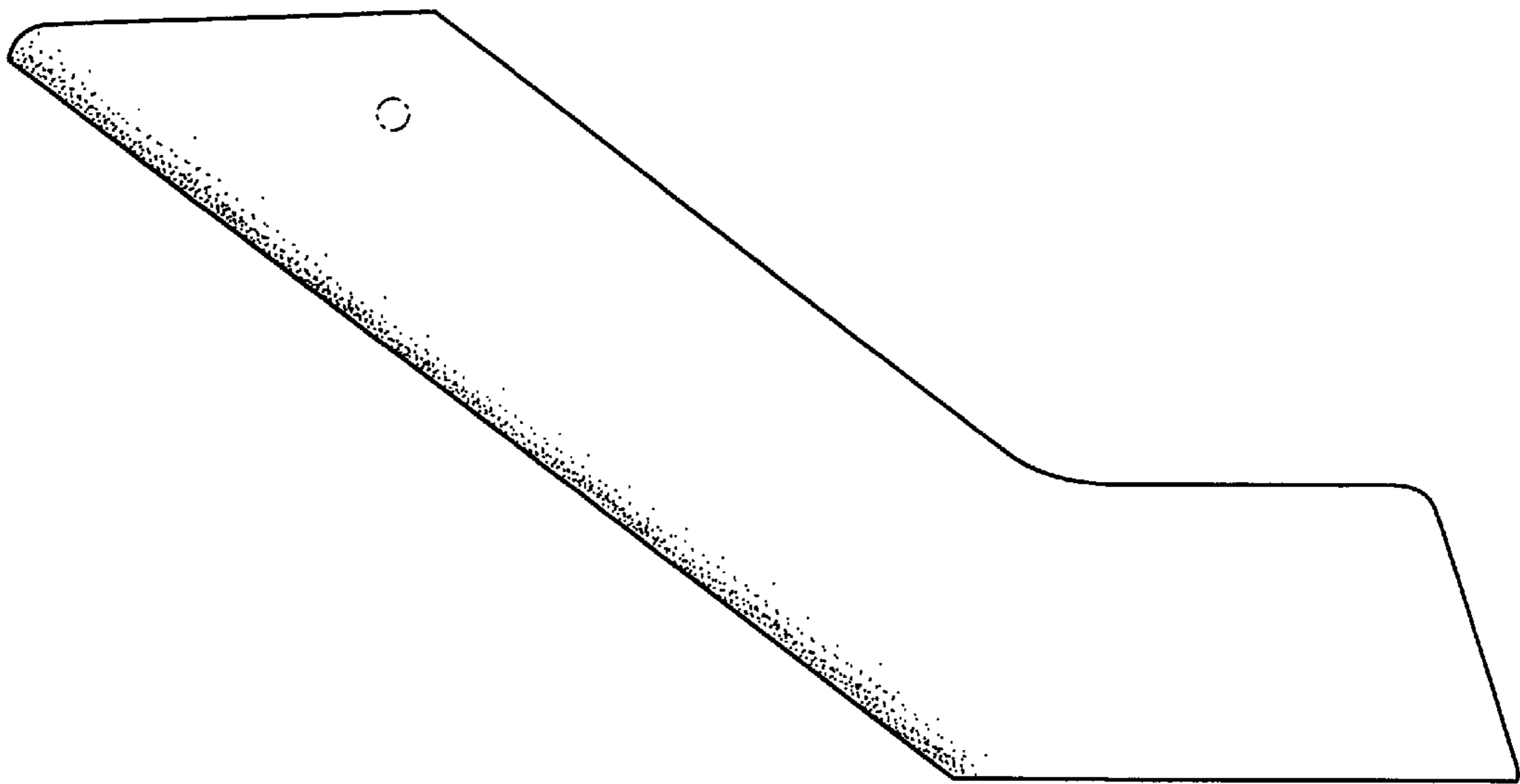


Fig. 2

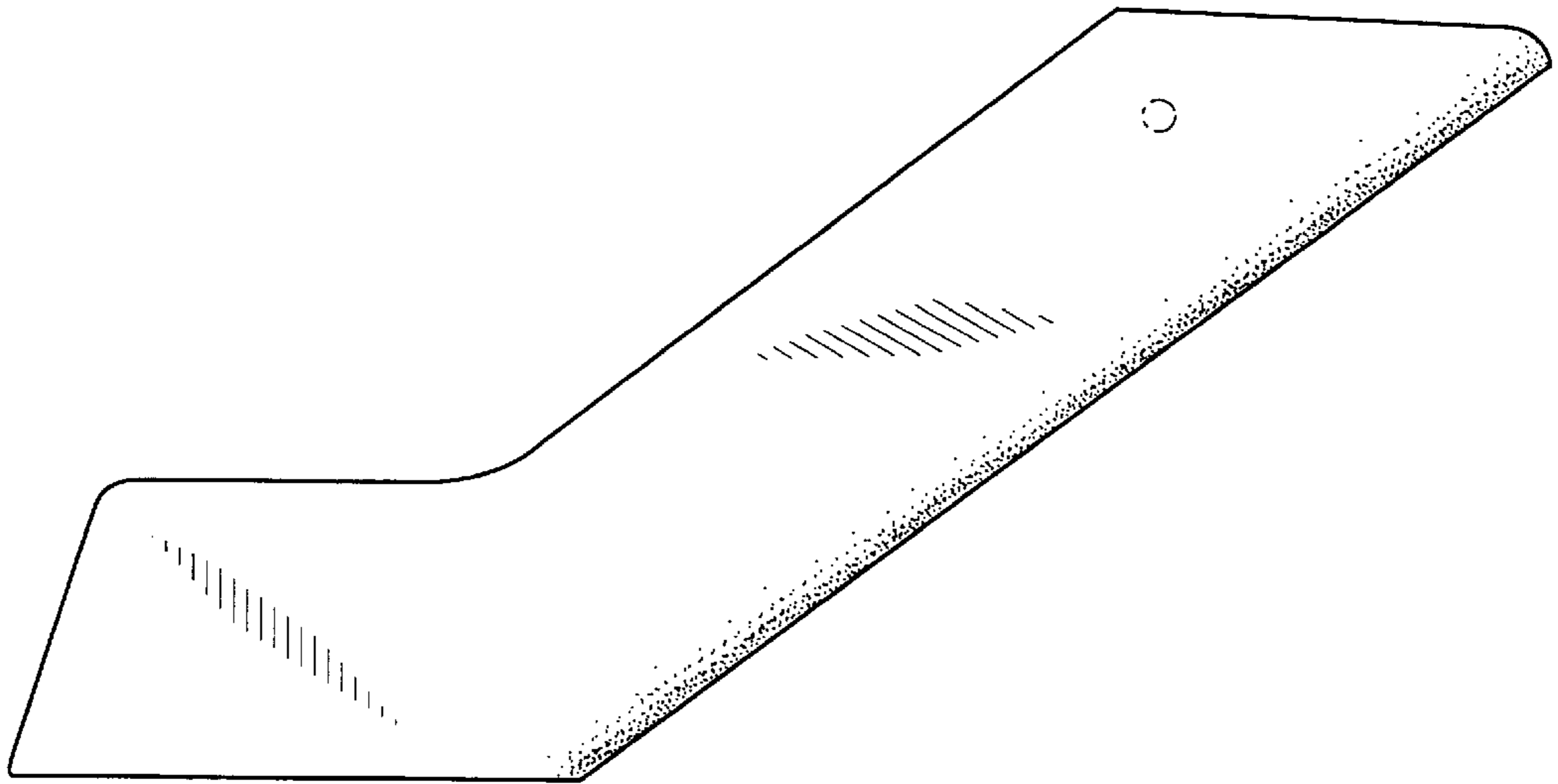


Fig. 3



Fig. 4



Fig. 5



Fig. 6



Fig. 7