



US00D476284S

(12) **United States Design Patent**
Pfeiffer et al.

(10) **Patent No.:** **US D476,284 S**

(45) **Date of Patent:** **** Jun. 24, 2003**

(54) **FRONT FACE OF A VEHICLE WHEEL**

(75) Inventors: **Peter Pfeiffer**, Boeblingen (DE); **Murat Guenak**, Ehningen (DE); **Hans-Dieter Futschik**, Gechingen (DE)

(73) Assignee: **DaimlerChrysler AG**, Stuttgart (DE)

(**) Term: **14 Years**

(21) Appl. No.: **29/144,677**

(22) Filed: **Jul. 10, 2001**

(30) **Foreign Application Priority Data**

Jan. 11, 2001 (DE) 4 01 00 128

(51) **LOC (7) Cl.** **12-16**

(52) **U.S. Cl.** **D12/211**

(58) **Field of Search** D12/204-211;
301/37.101, 64.101, 65

(56) **References Cited**

U.S. PATENT DOCUMENTS

D84,322 S	*	6/1931	Beutke et al.	D12/209
D337,563 S	*	7/1993	Boselli	D12/209
D352,688 S	*	11/1994	Boselli	D12/211
D388,047 S	*	12/1997	Pfeiffer et al.	D12/211
D396,208 S	*	7/1998	Baumgartner et al.	D12/211
D408,346 S	*	4/1999	Goplen	D12/211
D409,968 S	*	5/1999	Goplen	D12/211
D418,473 S	*	1/2000	Chung	D12/211

D424,500 S	*	5/2000	Johnson	D12/209
D447,106 S	*	8/2001	Chung	D12/209
D450,030 S	*	11/2001	Pfeiffer	D12/211
D450,289 S	*	11/2001	Chung	D12/211
D451,066 S	*	11/2001	Pfeiffer et al.	D12/211
D454,107 S	*	3/2002	Chung	D12/211
D454,531 S	*	3/2002	Amatino	D12/211
D454,825 S	*	3/2002	Amatino	D12/211

* cited by examiner

Primary Examiner—Stacia Cadmus

(74) *Attorney, Agent, or Firm*—Crowell & Moring LLP

(57) **CLAIM**

The ornamental design for a front face of a vehicle wheel, as shown and described.

DESCRIPTION

FIG. 1 is a front view of a first embodiment of a front face of a vehicle wheel according to our novel design;

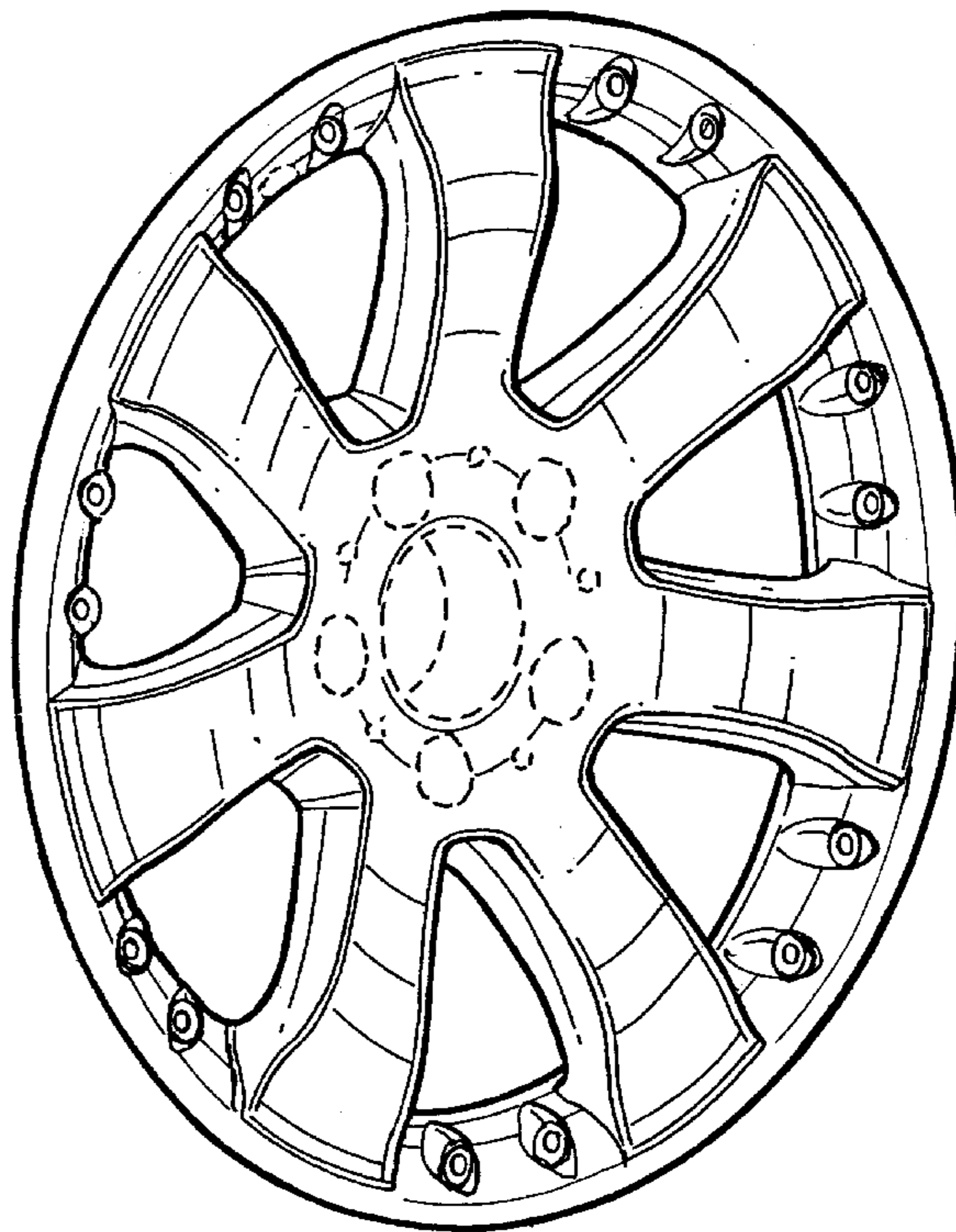
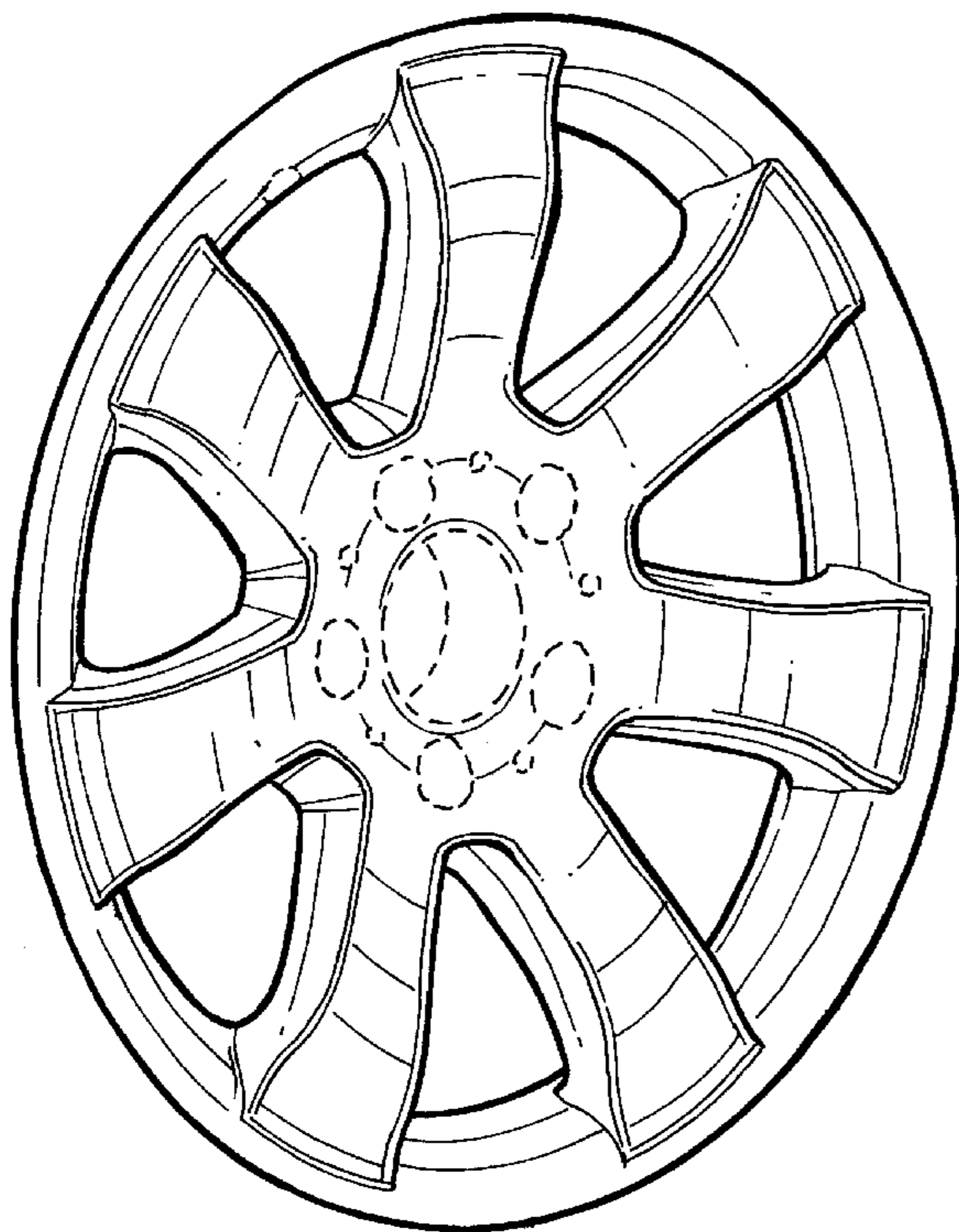
FIG. 2 is a perspective view of the first embodiment of the front face of a vehicle wheel according to our novel design;

FIG. 3 is a front view of a second embodiment of the front face of a vehicle wheel according to our novel design; and,

FIG. 4 is a perspective view of the second embodiment of the front face of a vehicle wheel according to our novel design.

The dash lines included depict environment and are not part of the claimed design.

1 Claim, 2 Drawing Sheets



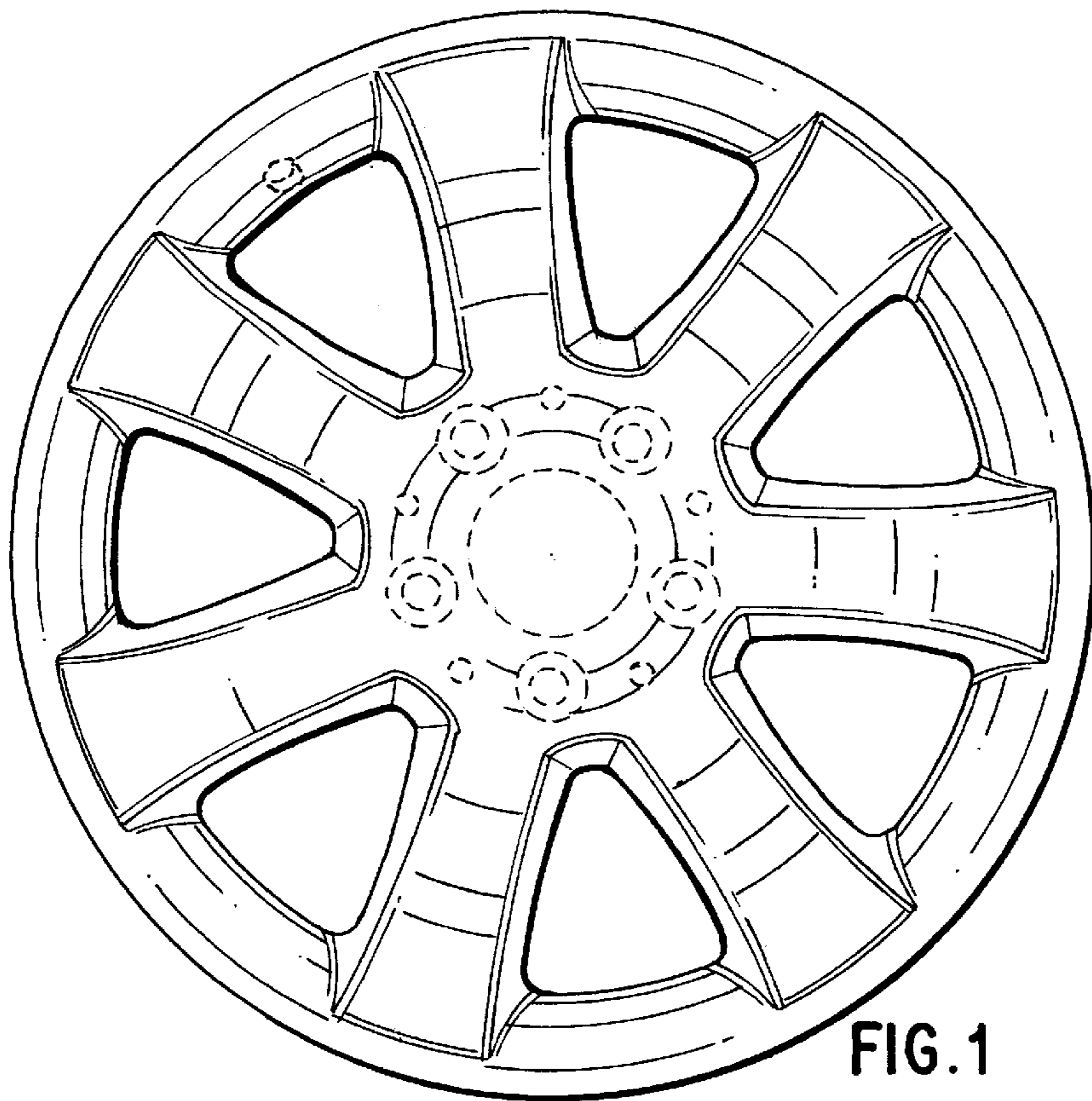


FIG. 1

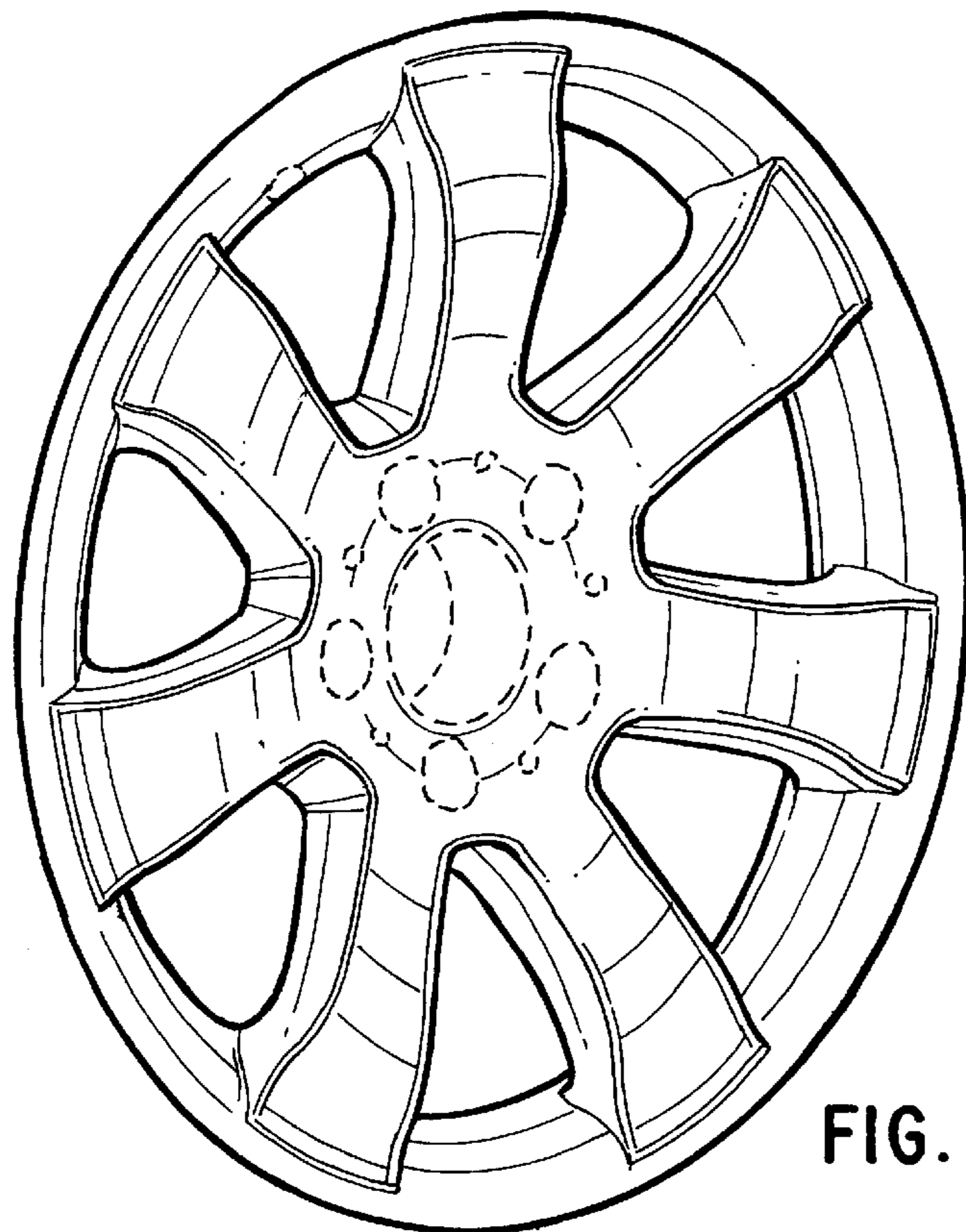


FIG. 2

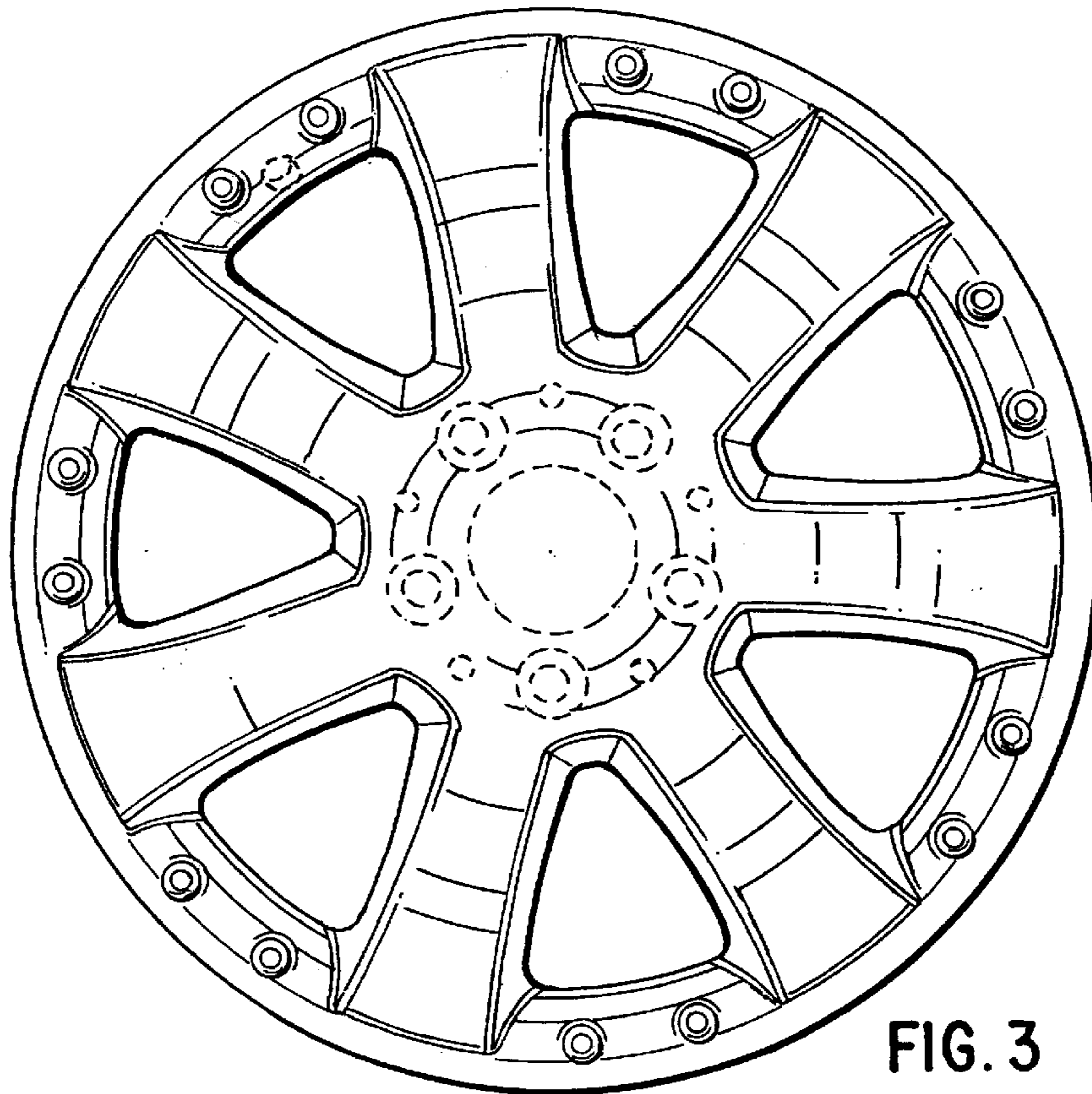


FIG. 3

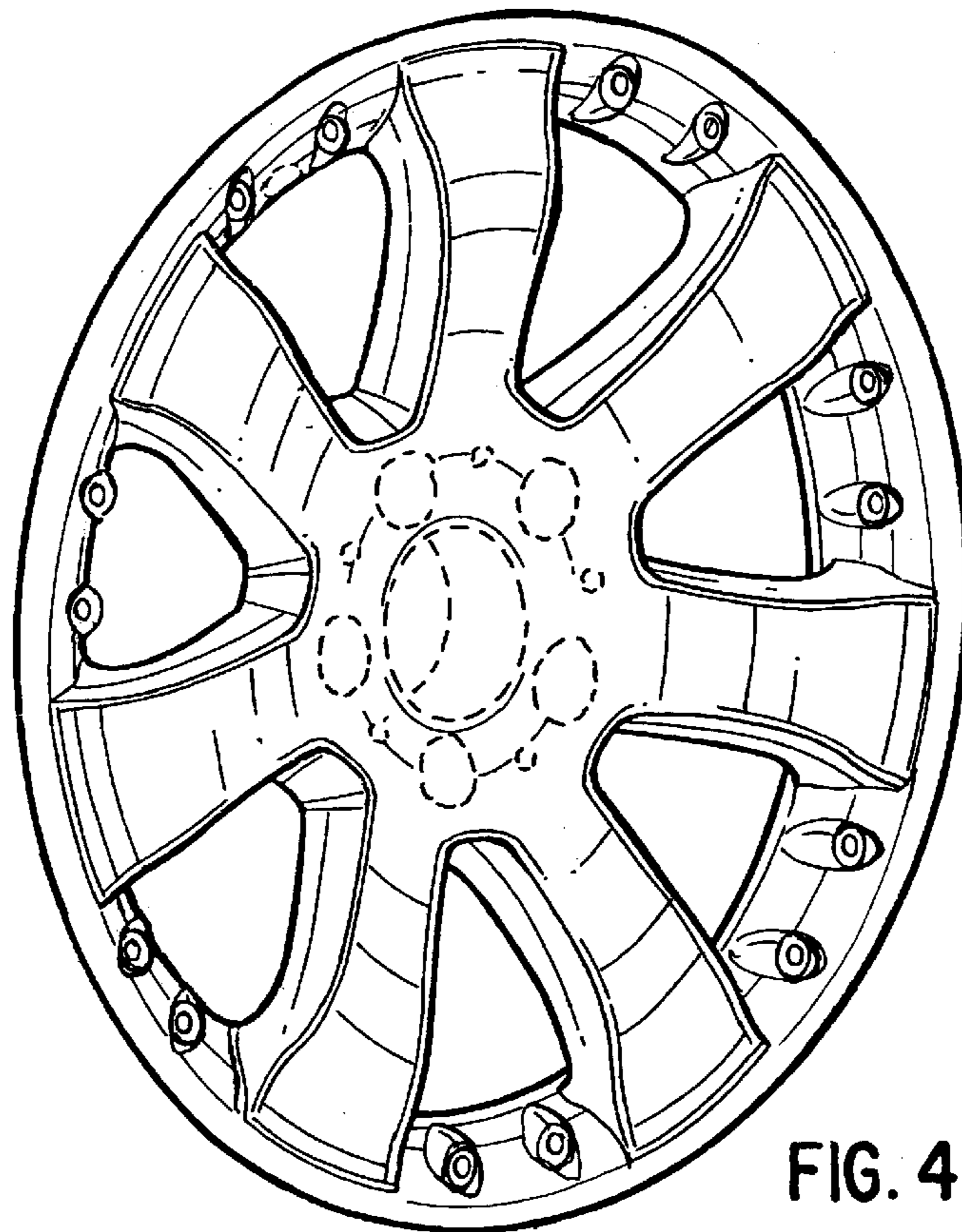


FIG. 4