



US00D476272S

(12) **United States Design Patent**
Shaver et al.

(10) **Patent No.:** **US D476,272 S**

(45) **Date of Patent:** **** Jun. 24, 2003**

(54) **EXTENDING TRAILER TONGUE**

(76) Inventors: **James Shaver**, P.O. Box 279, Maxton,
NC (US) 28364; **Carolyn Shaver**, P.O.
Box 279, Maxton, NC (US) 28364

(**) Term: **14 Years**

(21) Appl. No.: **29/150,963**

(22) Filed: **Dec. 3, 2001**

(51) **LOC (7) Cl.** **12-16**

(52) **U.S. Cl.** **D12/162**

(58) **Field of Search** D12/162, 400;
280/491.1-491.5, 414.1-414.3, 482, 415.1,
416.1, 406, 476.1; 114/344; D15/28

(56) **References Cited**

U.S. PATENT DOCUMENTS

3,645,560 A * 2/1972 Steele 280/482
3,664,687 A * 5/1972 Nutt, Jr. et al. 280/482
3,794,355 A * 2/1974 Cracolice 280/482
4,230,335 A * 10/1980 Glassmeyer 280/482 X

4,269,429 A * 5/1981 Eichstadt 280/503
5,167,423 A * 12/1992 Hall, Jr. 280/486
D337,292 S * 7/1993 Carda D12/162
D354,263 S * 1/1995 Clark et al. D12/162
5,421,599 A * 6/1995 Maines 280/406.2
6,302,425 B1 * 10/2001 Springer 280/491.3

* cited by examiner

Primary Examiner—Stacia Cadmus

(74) *Attorney, Agent, or Firm*—R. L. Mikesell

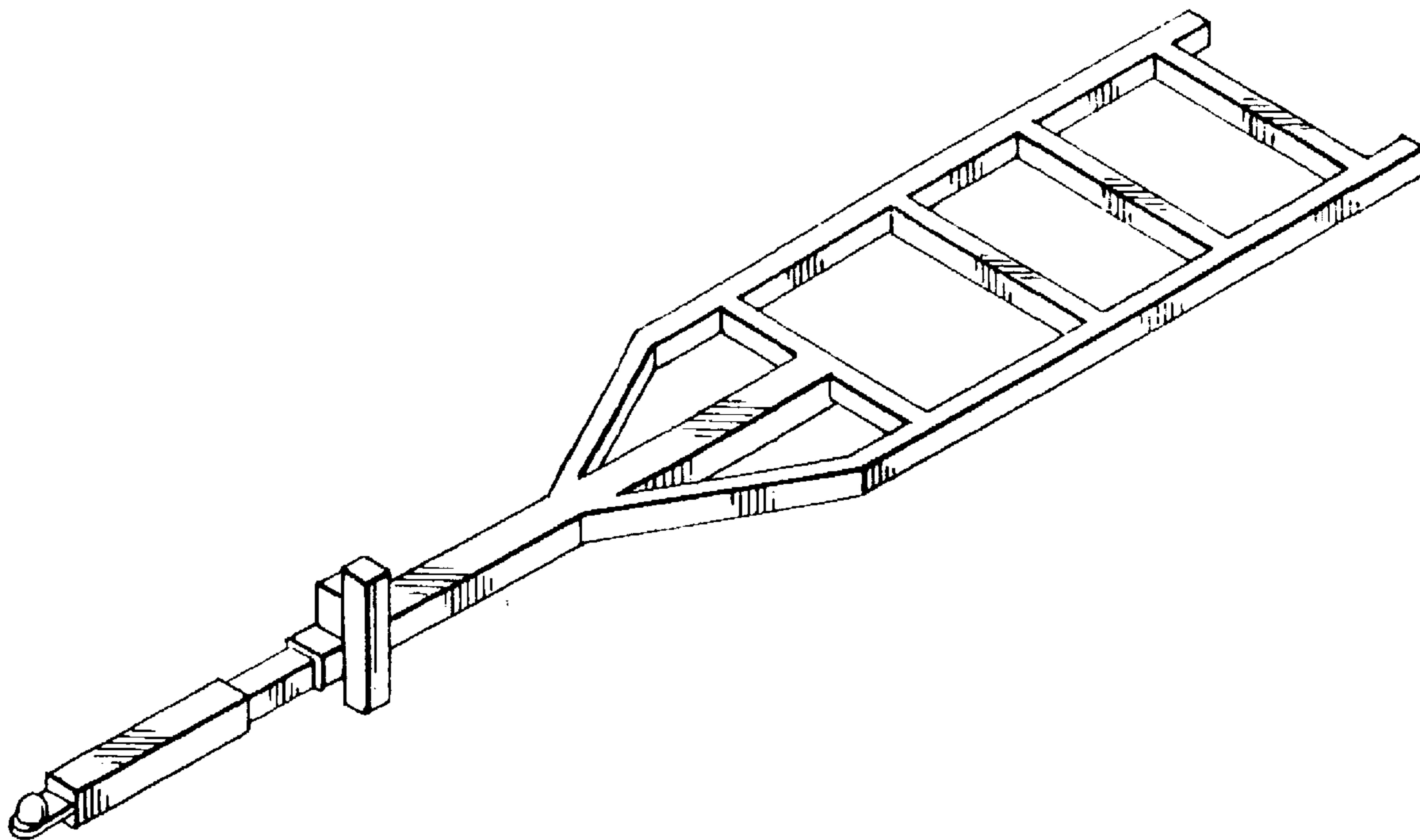
(57) **CLAIM**

The ornamental design for an extending trailer tongue, as shown and described.

DESCRIPTION

FIG. 1 is a perspective view of an extending trailer tongue showing our new design;
FIG. 2 is a right side view thereof;
FIG. 3 is a rear view thereof; and,
FIG. 4 is a front view thereof.

1 Claim, 1 Drawing Sheet



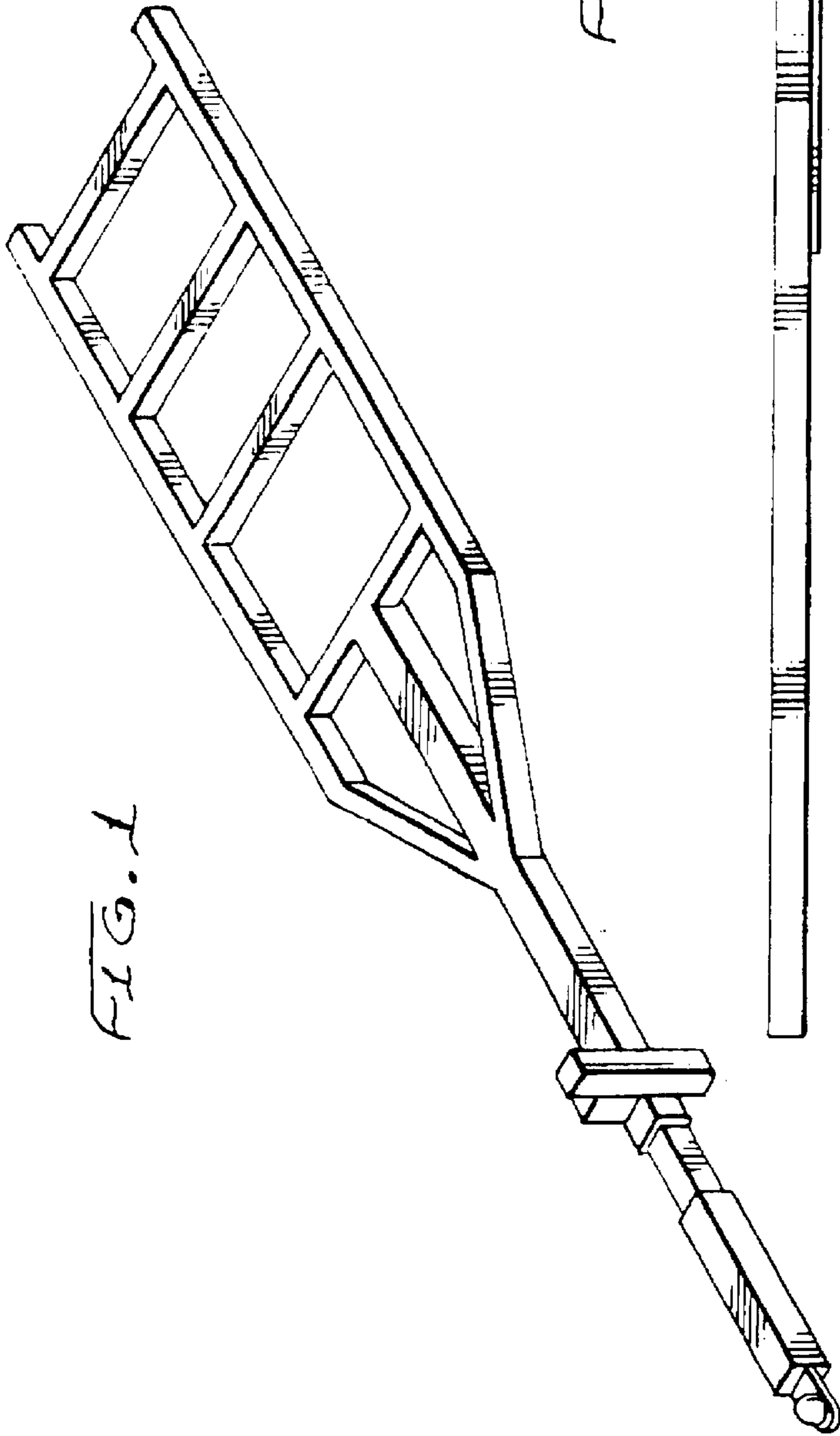


FIG. 2

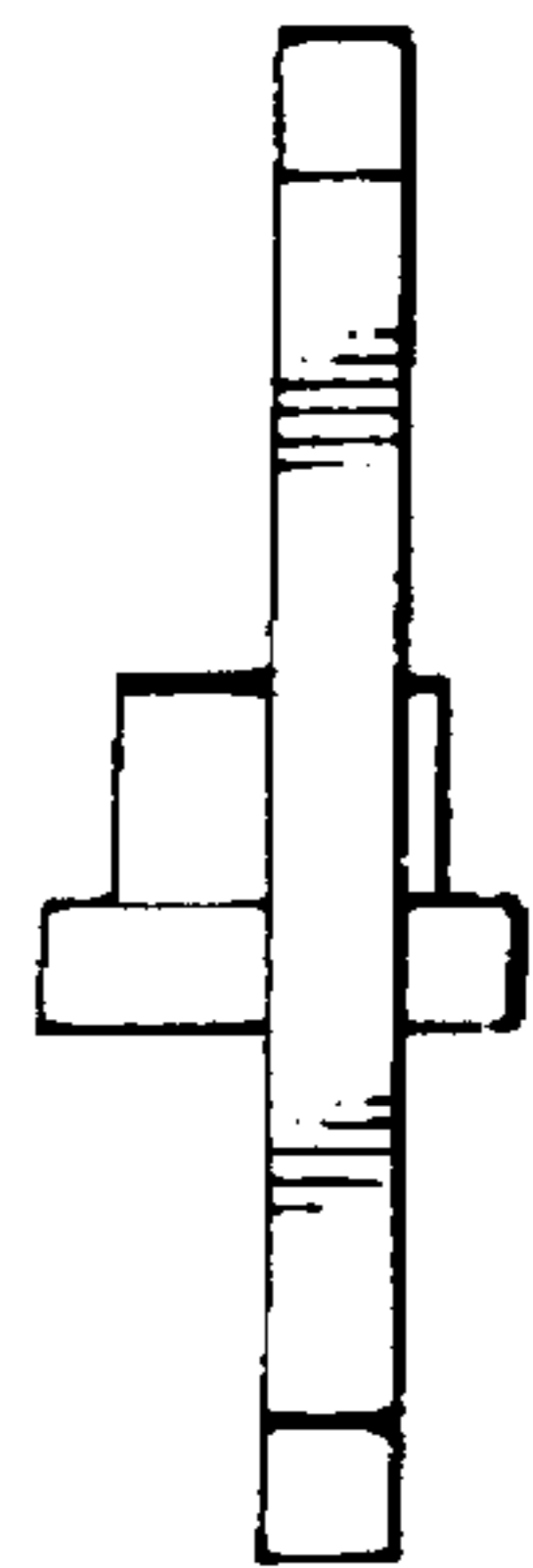
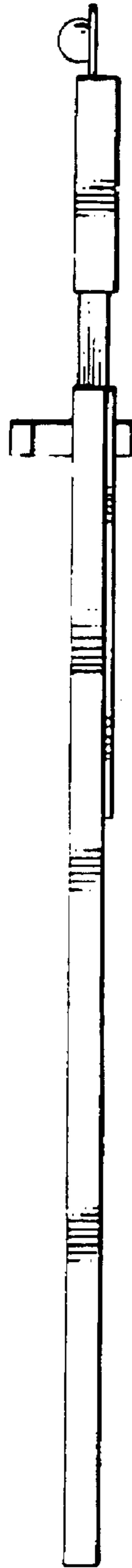


FIG. 4

